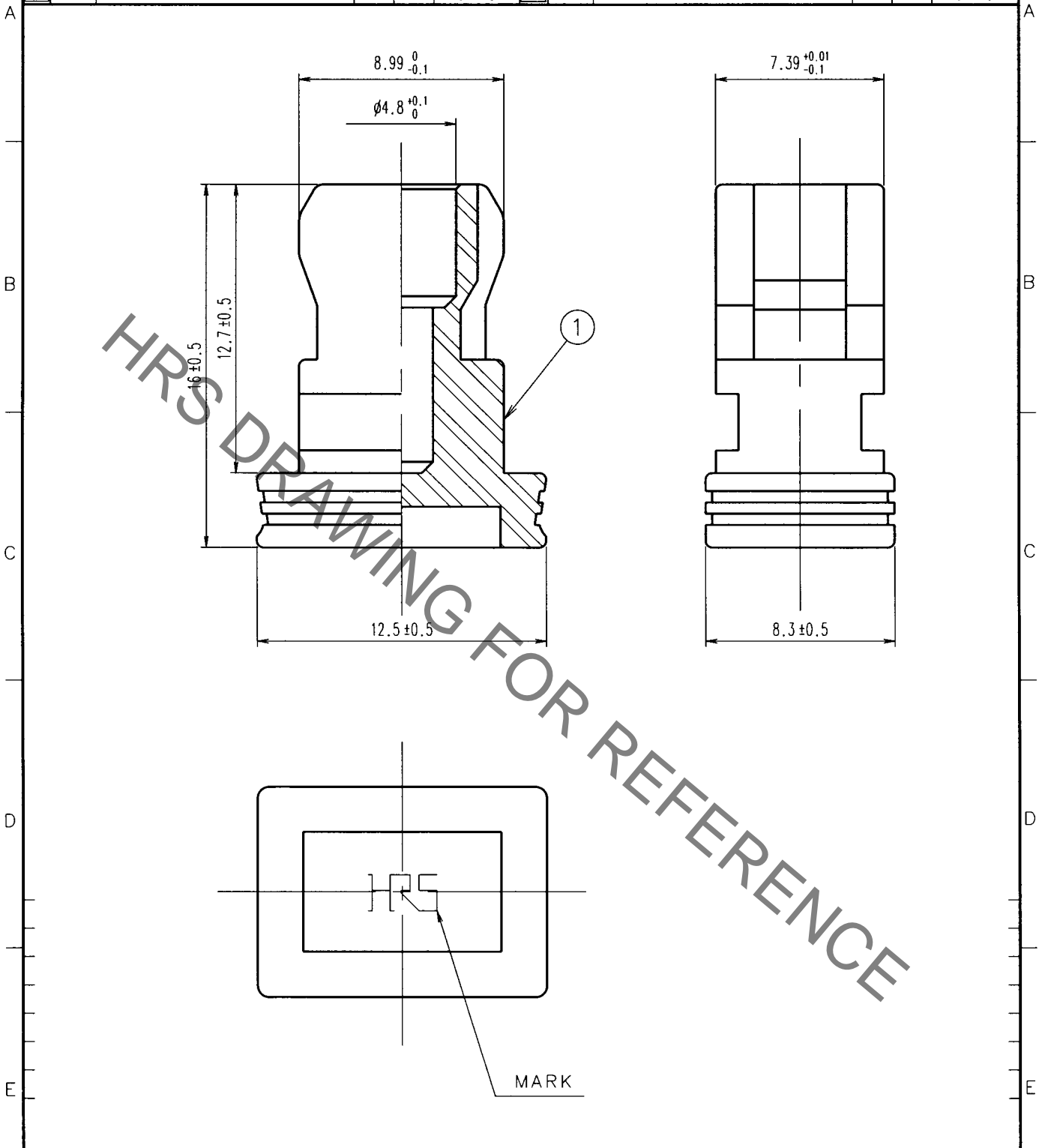


Jan.1.2022 Copyright 2022 HIROSE ELECTRIC CO., LTD. All Rights Reserved.
 In case of consideration for using Automotive equipment / device which demand high reliability, kindly contact our sales window correspondents.

1		2			3			4	
COUNT	DESCRIPTION OF REVISIONS	BY	CHKD	DATE	COUNT	DESCRIPTION OF REVISIONS	BY	CHKD	DATE
△				..	△				..
△				..	△				..
△				..	△				..



1	SYNTHETIC RESIN	BRACK			
NO.	MATERIAL	FINISH, REMARKS	NO.	MATERIAL	FINISH, REMARKS
CODE NO. (OLD)			DRAWN	DESIGNED	CHECKED
			F.YOSHI	F.YOSHI	M. Inoue
			99. 2. 26	99. 2. 26	99. 3. 1
					APPROVED
					F. NAGA
					99. 3. 1
DRAWING NO.			PART NO.		
EDC4-173115			HSC-C5		
CODE NO.			CODE NO.		
CL704-0363-7			CL704-0363-7		

TO

SCALE 4 : 1
 UNITS mm

HRS HIROSE ELECTRIC CO., LTD.

1/1

Mouser Electronics

Authorized Distributor

Click to View Pricing, Inventory, Delivery & Lifecycle Information:

[Hirose Electric:](#)

[HSC-C5](#)