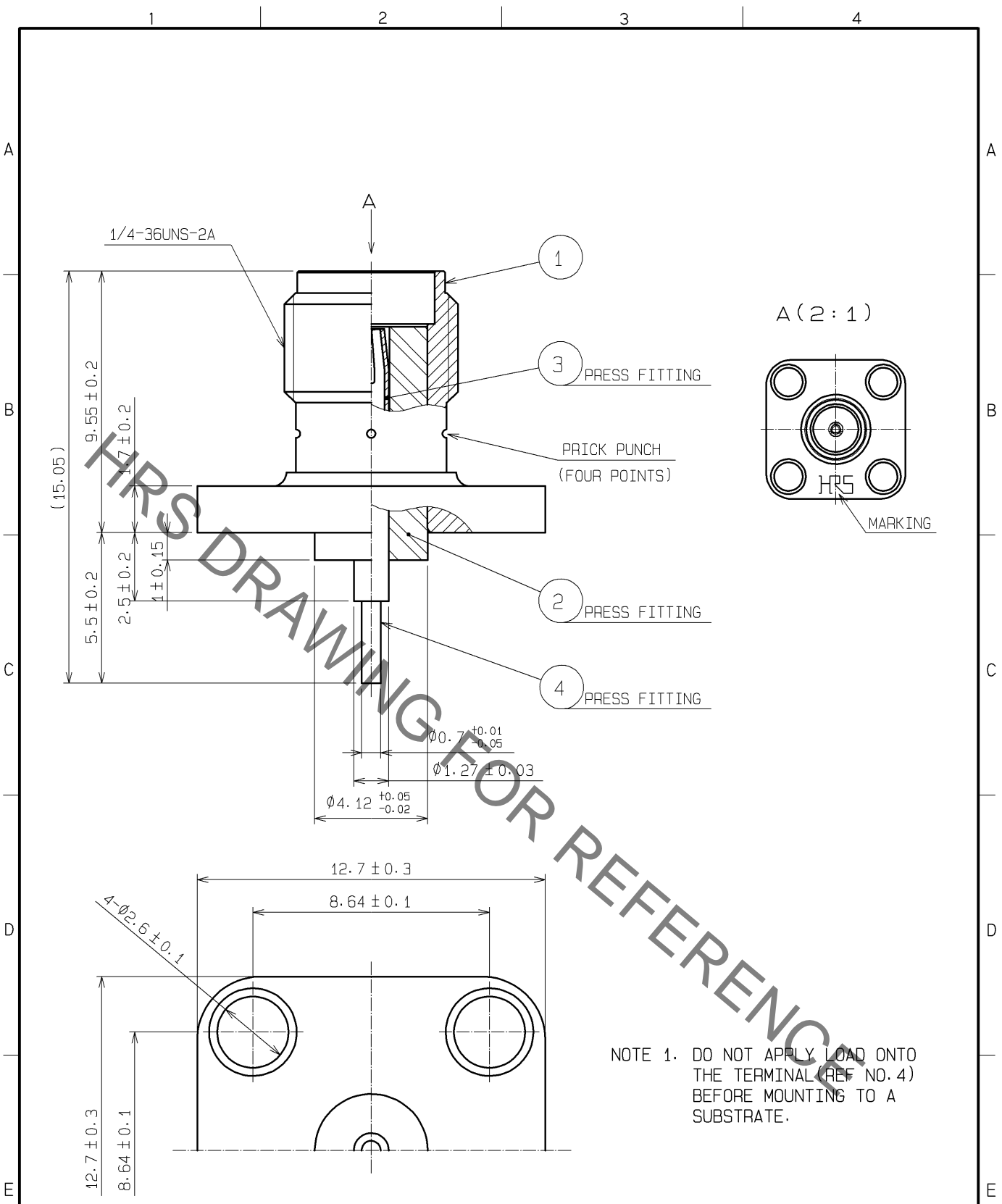


Jun.1.2021 Copyright 2021 HIROSE ELECTRIC CO., LTD. All Rights Reserved.
 In case of consideration for using Automotive equipment / device which demand high reliability, kindly contact our sales window correspondents.



NOTE 1. DO NOT APPLY LOAD ONTO THE TERMINAL (REF NO. 4) BEFORE MOUNTING TO A SUBSTRATE.

RoHS COMPLIANT

2	PTFE		4	BRASS	GOLD PLATING			
1	STAINLESS STEEL	PASSIVATE	3	BERYLLIUM COPPER	GOLD PLATING			
NO.	MATERIAL	FINISH .	REMARKS	NO.	MATERIAL	FINISH .	REMARKS	
UNITS mm		SCALE 5 : 1	COUNT 	DESCRIPTION OF REVISIONS		DESIGNED	CHECKED	DATE
HIROSE ELECTRIC CO., LTD.		APPROVED : MH. YAMANE	08.07.02	DRAWING NO.		EDC4-315722-00		
		CHECKED : MH. YAMANE	08.07.02	PART NO.		HRM(V)-302S		
		DESIGNED : TS. NOBE	08.07.01	CODE NO.		CL323-0885-8-00		
		DRAWN : TS. NOBE	08.07.01			1/1		

Mouser Electronics

Authorized Distributor

Click to View Pricing, Inventory, Delivery & Lifecycle Information:

[Hirose Electric:](#)

[HRM\(V\)-302S](#)