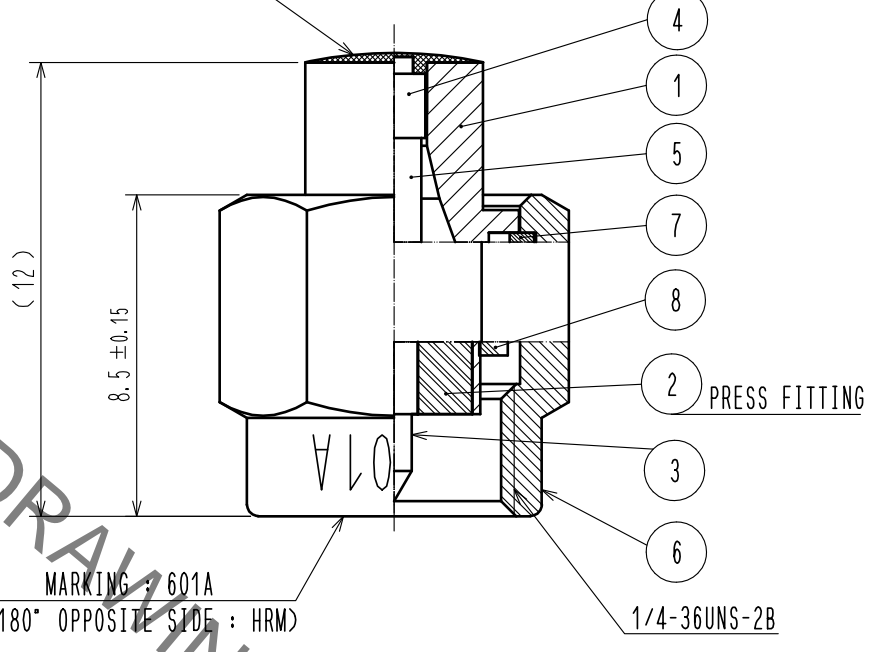


May.1.2019 Copyright 2019 HIROSE ELECTRIC CO., LTD. All Rights Reserved.  
 In case of consideration for using Automotive equipment / device which demand high reliability, kindly contact our sales window correspondents.

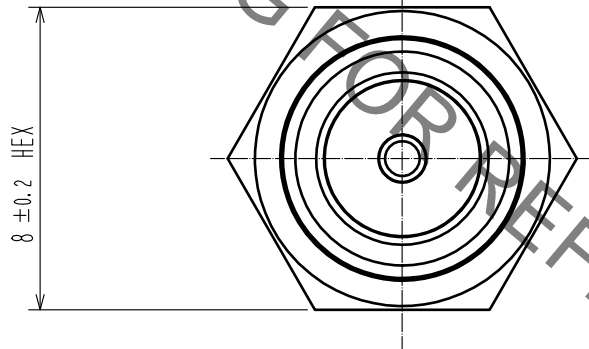
△ Redraw

1 SOLDERING



MARKING : 601A  
 (180° OPPOSITE SIDE : HRM)

1/4-36UNS-2B



NOTE 1 Lead-free solder of Sn3Ag0.5Cu is used.

ROHS COMPLIANT

4	BRASS	GOLD PLATING	8	SIRICONE RUBBER	(RED)
3	BRASS	GOLD PLATING	7	BERYLLIUM COPPER	NICKEL PLATING
2	PTFE		6	STAINLESS STEEL	PASSIVATED
1	STAINLESS STEEL	NICKEL PLATING	5	RESISTANCE	50Ω
NO.	MATERIAL	FINISH . REMARKS	NO.	MATERIAL	FINISH . REMARKS

UNITS mm		SCALE 5 : 1	COUNT 1	DESCRIPTION OF REVISIONS DIS-D-00000641	DESIGNED TO. KATAYAMA	CHECKED KY. SHIMIZU	DATE 15.11.02
APPROVED : KY. SHIMIZU 15.01.14 CHECKED : TO. KATAYAMA 15.01.14 DESIGNED : YI. FUNADA 15.01.14 DRAWN : YI. FUNADA 15.01.14				DRAWING NO. EDC-030012-50-50 PART NO. HRM-601A(50) CODE NO. CL353-0017-3-50			

HRS DRAWING TOP REFERENCE

# Mouser Electronics

Authorized Distributor

Click to View Pricing, Inventory, Delivery & Lifecycle Information:

[Hirose Electric:](#)

[HRM-601A\(50\)](#)