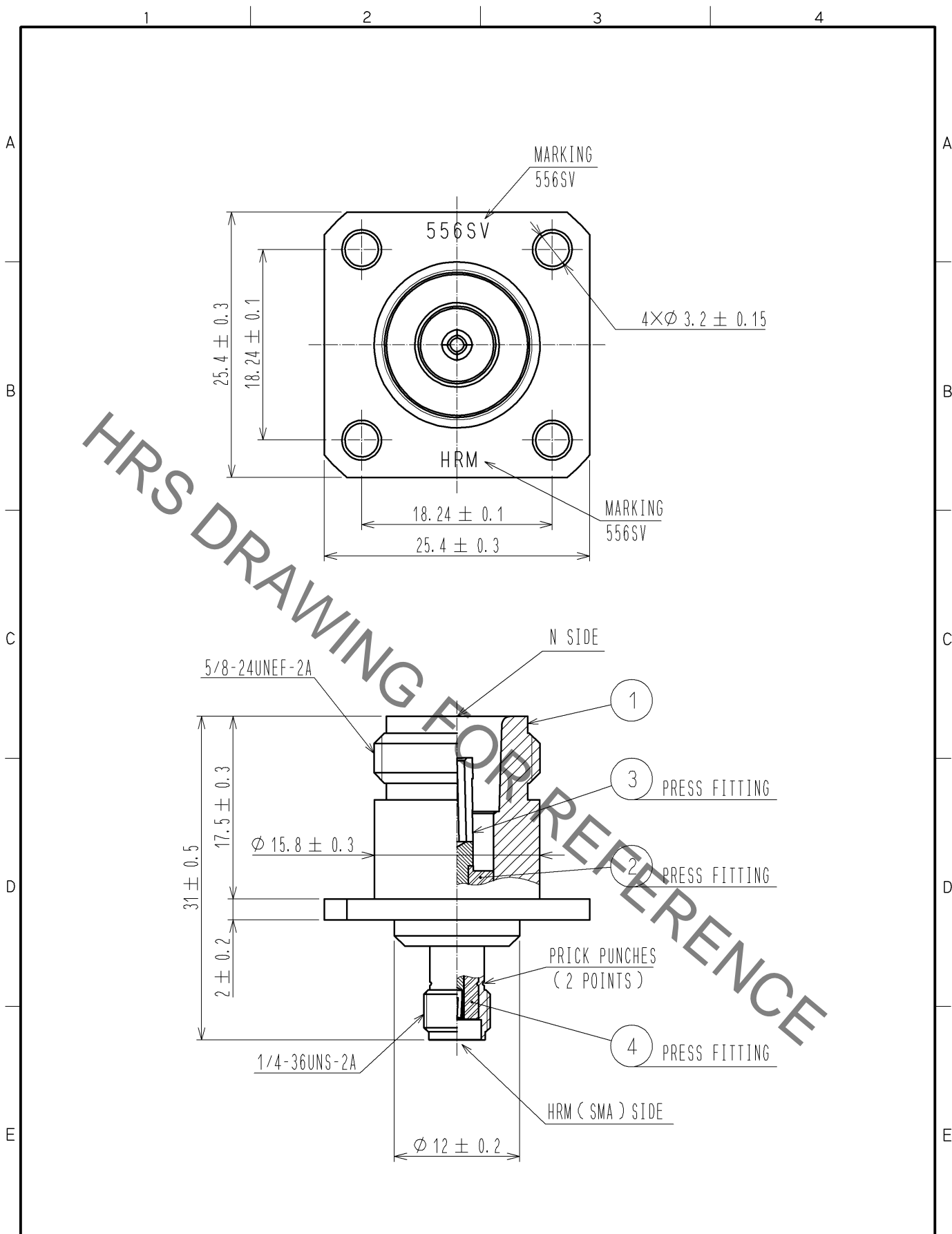


Jan.1.2022 Copyright 2022 HIROSE ELECTRIC CO., LTD. All Rights Reserved.
 In case of consideration for using Automotive equipment / device which demand high reliability, kindly contact our sales window correspondents.



2	PTFE		4	PTFE	
1	STENLESS STEEL	PASSIVATE	3	BERYLLIUM COPPER	GOLD PLATING
NO.	MATERIAL	FINISH . REMARKS	NO.	MATERIAL	FINISH . REMARKS
UNITS mm		SCALE 2 : 1		DESCRIPTION OF REVISIONS	DESIGNED
					CHECKED
					DATE
HRS HIROSE ELECTRIC CO., LTD.	APPROVED : MH. YAMANE	13. 12. 12	DRAWING NO.	EDC4-131549-80	
	CHECKED : TS. NOBE	13. 12. 12	PART NO.	HRM-556SV	
	DESIGNED : TM. YOSHIDA	13. 12. 12	CODE NO.	CL311-0298-2-00	
	DRAWN : TM. YOSHIDA	13. 12. 12			

Mouser Electronics

Authorized Distributor

Click to View Pricing, Inventory, Delivery & Lifecycle Information:

[Hirose Electric:](#)

[HRM-556SV](#)