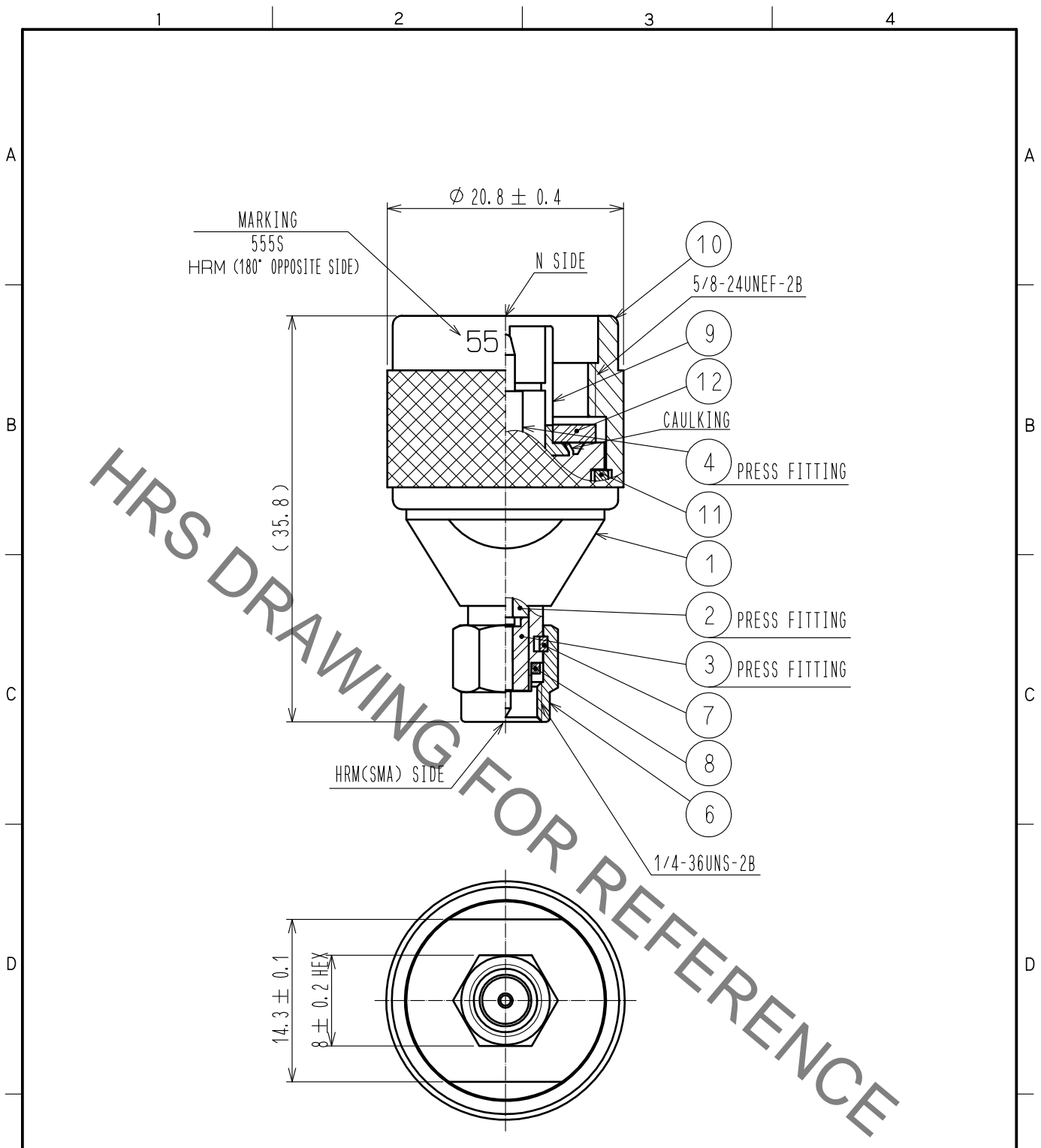


Jan.1.2022 Copyright 2022 HIROSE ELECTRIC CO., LTD. All Rights Reserved.
In case of consideration for using Automotive equipment / device which demand high reliability, kindly contact our sales window correspondents.



RoHS COMPLIANT

NO.	MATERIAL	FINISH . REMARKS	NO.	MATERIAL	FINISH . REMARKS
6	STAINLESS STEEL	PASSIVATE	12	SILICONE RUBBER	
			11	PHOSPHOR BRONZE	SILVER PLATING
4	BRASS	GOLD PLATING	10	STAINLESS STEEL	PASSIVATE
3	PTFE		9	PHOSPHOR BRONZE	GOLD PLATING
2	PTFE		8	SILICONE RUBBER	
1	STAINLESS STEEL	PASSIVATE	7	BERYLLIUM COPPER	NICKEL PLATING

UNITS mm	SCALE 2 : 1	COUNT	DESCRIPTION OF REVISIONS	DESIGNED	CHECKED	DATE
HRS HIROSE ELECTRIC CO., LTD.			APPROVED : KY. SHIMIZU 15.02.18 CHECKED : TO. KATAYAMA 15.02.18 DESIGNED : YI. FUNADA 15.02.18 DRAWN : YI. FUNADA 15.02.18	DRAWING NO. EDC-007206-40-40 PART NO. HRM-555S(40) CODE NO. CL311-0125-4-40	1/1	

Mouser Electronics

Authorized Distributor

Click to View Pricing, Inventory, Delivery & Lifecycle Information:

[Hirose Electric:](#)

[HRM-555S\(40\)](#)