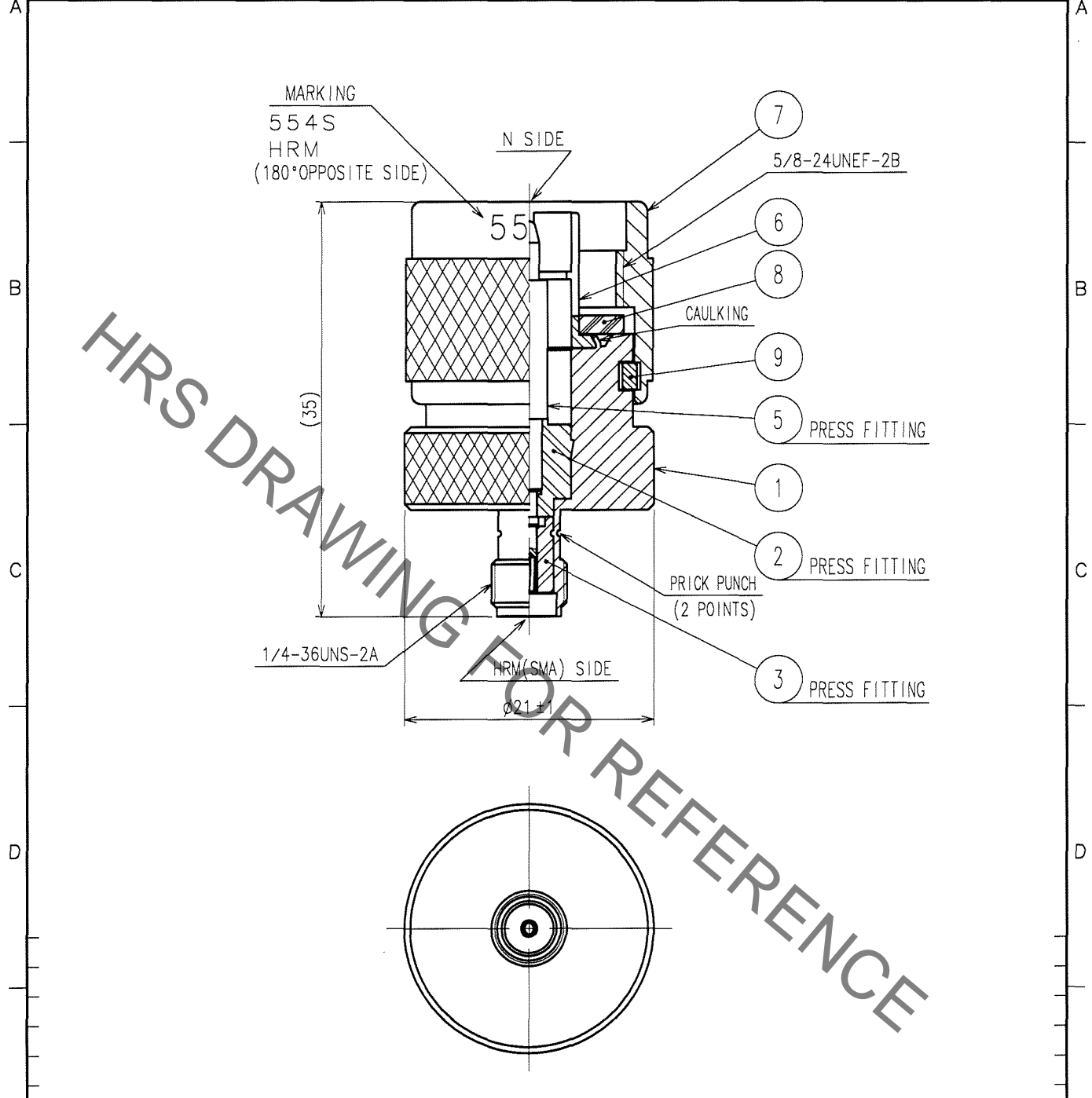


Jan.1.2022 Copyright 2022 HIROSE ELECTRIC CO., LTD. All Rights Reserved.
In case of consideration for using Automotive equipment / device which demand high reliability, kindly contact our sales window correspondents.

1			2			3			4					
COUNT	DESCRIPTION OF REVISIONS	BY	CHKD	DATE	COUNT	DESCRIPTION OF REVISIONS	BY	CHKD	DATE	COUNT	DESCRIPTION OF REVISIONS	BY	CHKD	DATE
△					△									
△					△									
△					△									



5	BERYLLIUM COPPER	GOLD PLATING	9	PHOSPHOR BRONZE	SILVER PLATING
3	PTFE		8	SILICONE RUBBER	
2	PTFE		7	STAINLESS STEEL	PASSIVATE
1	STAINLESS STEEL	PASSIVATE	6	PHOSPHOR BRONZE	GOLD PLATING
NO.	MATERIAL	FINISH, REMARKS	NO.	MATERIAL	FINISH, REMARKS

CODE NO. (OLD) CL		DRAWN <i>H. Sugiyama</i> 06.04.18	DESIGNED <i>T. Katayama</i> 06.04.18	CHECKED <i>H. Shimizu</i> 06.04.19	APPROVED <i>J. Mitani</i> 06.04.19	RELEASED
TO		DRAWING NO. EDC4-007150-40		PART NO. HRM-554S(40)		
RF		SCALE 2 : 1		CODE NO. CL311-0123-9-40		1/1
UNITS mm		HRS HIROSE ELECTRIC CO., LTD.				

Mouser Electronics

Authorized Distributor

Click to View Pricing, Inventory, Delivery & Lifecycle Information:

[Hirose Electric:](#)

[HRM-554S\(40\)](#)