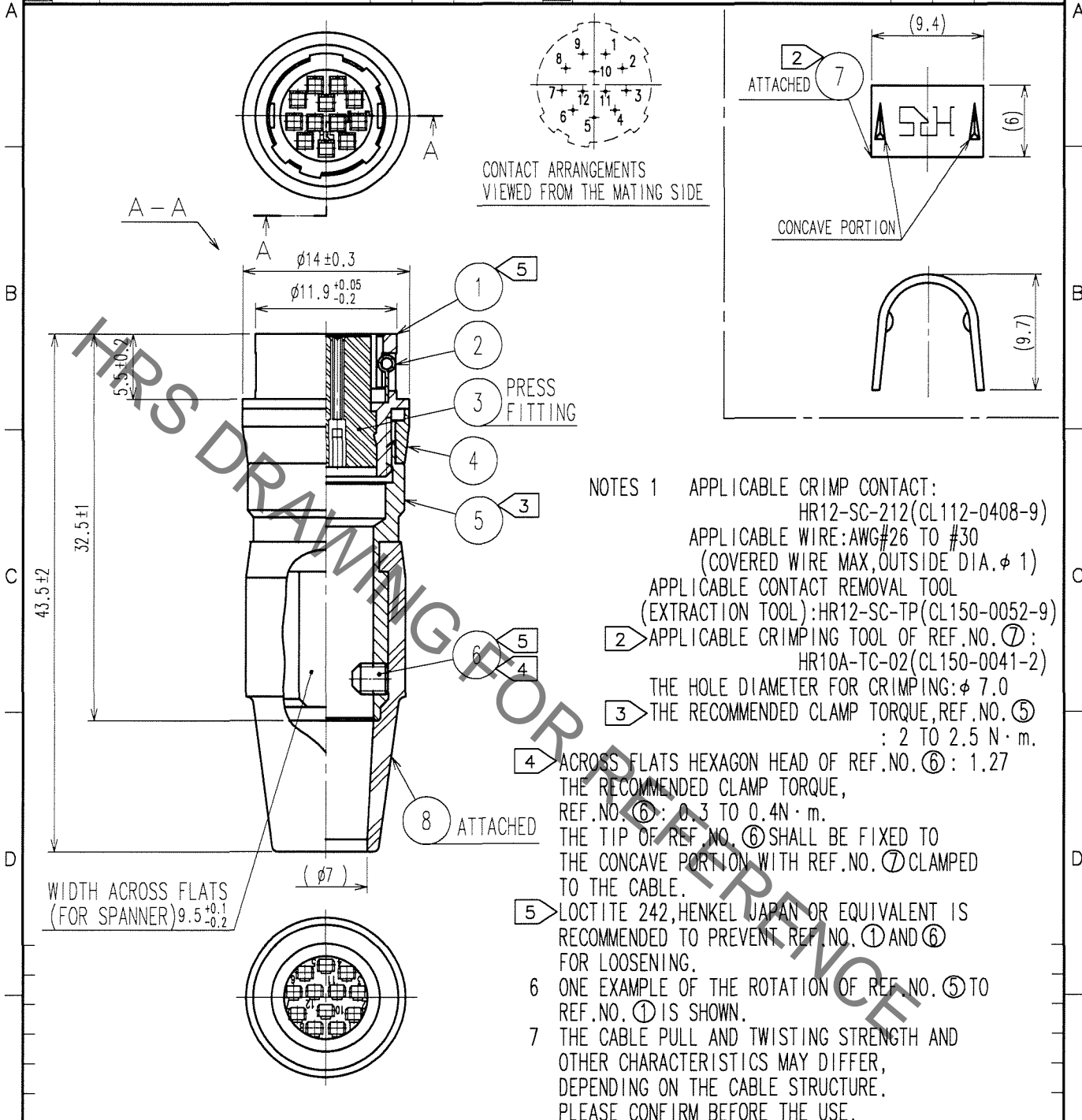


Jan.1.2022 Copyright 2022 HIROSE ELECTRIC CO., LTD. All Rights Reserved.
In case of consideration for using Automotive equipment / device which demand high reliability, kindly contact our sales window correspondents.

1			2			3			4					
COUNT	DESCRIPTION OF REVISIONS	BY	CHKD	DATE	COUNT	DESCRIPTION OF REVISIONS	BY	CHKD	DATE	COUNT	DESCRIPTION OF REVISIONS	BY	CHKD	DATE
△					△					△				
△					△					△				
△					△					△				



NOTES 1 APPLICABLE CRIMP CONTACT:
HR12-SC-212(CL112-0408-9)
APPLICABLE WIRE:AWG#26 TO #30
(COVERED WIRE MAX,OUTSIDE DIA.φ 1)
APPLICABLE CONTACT REMOVAL TOOL
(EXTRACTION TOOL):HR12-SC-TP(CL150-0052-9)
2 APPLICABLE CRIMPING TOOL OF REF.NO. ⑦:
HR10A-TC-02(CL150-0041-2)
THE HOLE DIAMETER FOR CRIMPING:φ 7.0
3 THE RECOMMENDED CLAMP TORQUE, REF. NO. ⑤:
2 TO 2.5 N·m.
4 ACROSS FLATS HEXAGON HEAD OF REF.NO. ⑥: 1.27
THE RECOMMENDED CLAMP TORQUE,
REF.NO. ⑥: 0.3 TO 0.4N·m.
THE TIP OF REF. NO. ⑥ SHALL BE FIXED TO
THE CONCAVE PORTION WITH REF. NO. ⑦ CLAMPED
TO THE CABLE.
5 LOCTITE 242, HENKEL JAPAN OR EQUIVALENT IS
RECOMMENDED TO PREVENT REF. NO. ① AND ⑥
FOR LOOSENING.
6 ONE EXAMPLE OF THE ROTATION OF REF. NO. ⑤ TO
REF. NO. ① IS SHOWN.
7 THE CABLE PULL AND TWISTING STRENGTH AND
OTHER CHARACTERISTICS MAY DIFFER,
DEPENDING ON THE CABLE STRUCTURE.
PLEASE CONFIRM BEFORE THE USE.

4	BRASS	MATTE FINISH NICKEL PLATED	8	CHLOROPRENE RUBBER (BLACK)	
3	POLYBUTYLENE TEREPHTHALATE (BLACK)	UL94V-0	7	BRASS	
2	STAINLESS STEEL		6	STEEL	
1	ZINC ALLOY	MATTE FINISH NICKEL PLATED	5	BRASS	
				NICKEL PLATING M2.6×0.45×3	
				MATTE FINISH NICKEL PLATED	
NO.	MATERIAL	FINISH, REMARKS	NO.	MATERIAL	FINISH, REMARKS

CODE NO. (OLD) CL		DRAWN <i>M. Sato</i> 07.03.09	DESIGNED <i>J. Horii</i> 07.03.09	CHECKED <i>E. Horii</i> 07.03.12	APPROVED <i>M. Sato</i> 07.03.13	RELEASED
DRAWING NO. EDC4-021263-73		PART NO. HR10A-10J-12SC(73)				
SCALE 2 : 1		CODE NO. CL110-0612-2-73				1/1
UNITS mm		HRS HIROSE ELECTRIC CO., LTD.				

TO
R

Mouser Electronics

Authorized Distributor

Click to View Pricing, Inventory, Delivery & Lifecycle Information:

[Hirose Electric:](#)

[HR10A-10J-12SC\(73\)](#)