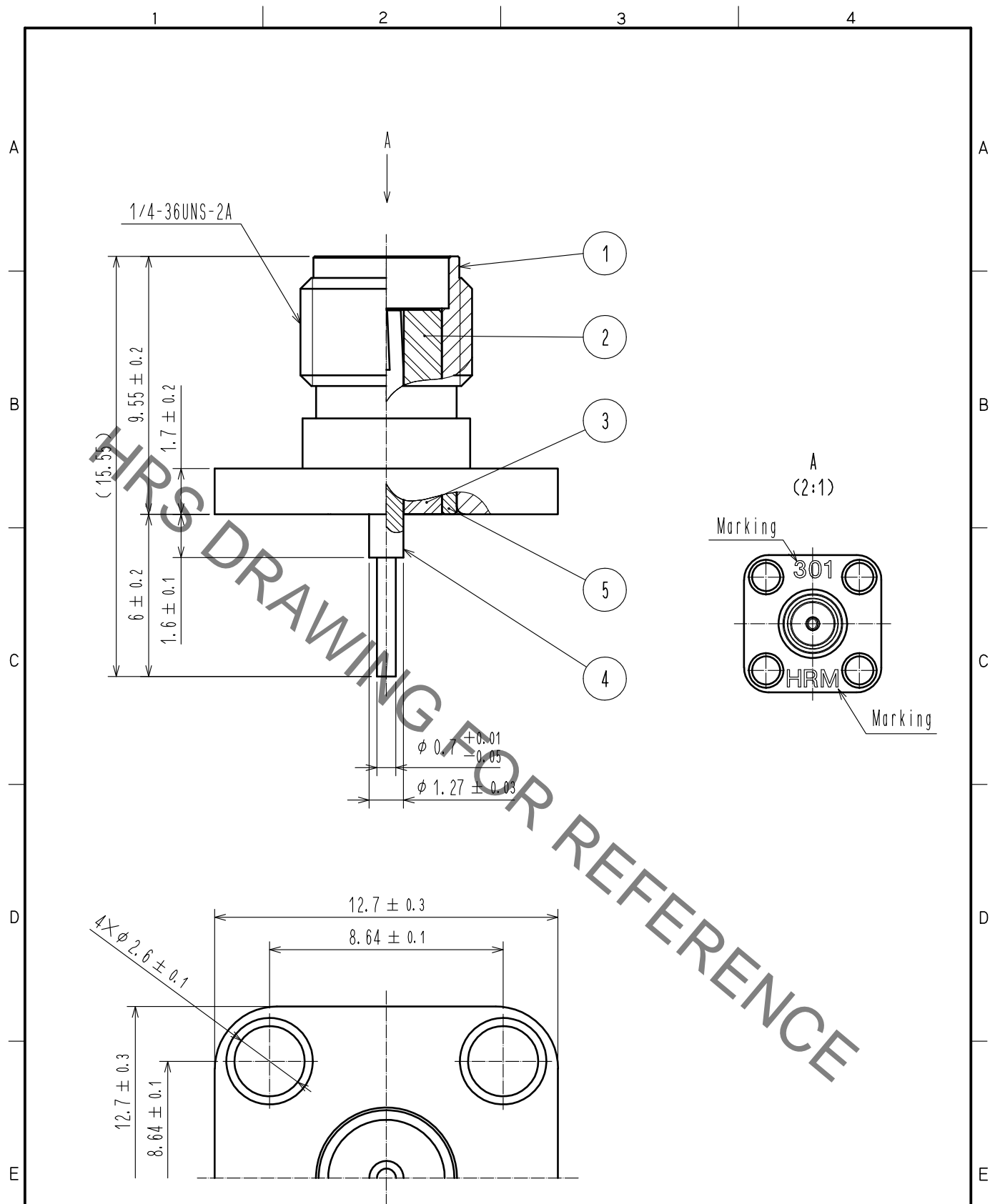


Dec.1.2021 Copyright 2021 HIROSE ELECTRIC CO., LTD. All Rights Reserved.
 In case of consideration for using Automotive equipment / device which demand high reliability, kindly contact our sales window correspondents.



RoHS COMPLIANT

| 3 | PTFE | | | 5 | STAINLESS STEEL | GOLD PLATING | |
|-----|-----------------|--------------|---------|-----|------------------|--------------|---------|
| 2 | PTFE | | | 4 | BERYLLIUM COPPER | GOLD PLATING | |
| 1 | STAINLESS STEEL | GOLD PLATING | | | | | |
| NO. | MATERIAL | FINISH | REMARKS | NO. | MATERIAL | FINISH | REMARKS |

| | | | | | | | |
|-------------|--|----------------|-----------|--------------------------|----------|---------|------|
| UNITS mm | | SCALE 5 : 1 | COUNT | DESCRIPTION OF REVISIONS | DESIGNED | CHECKED | DATE |
|-------------|--|----------------|-----------|--------------------------|----------|---------|------|

| | | | | | |
|--------------------------------------|------------------------|----------|-------------|------------------|-----|
| HRS HIROSE ELECTRIC CO., LTD. | APPROVED : KY. SHIMIZU | 17.06.30 | DRAWING NO. | EDC-004789-09-00 | |
| | CHECKED : KY. SHIMIZU | 17.06.30 | PART NO. | HRM-301(09) | |
| | DESIGNED : NK. OOSAWA | 17.06.30 | CODE NO. | CL323-0013-0-09 | |
| | DRAWN : SR. AIHARA | 17.06.30 | | | 1/1 |

Mouser Electronics

Authorized Distributor

Click to View Pricing, Inventory, Delivery & Lifecycle Information:

[Hirose Electric:](#)

[HRM-301\(09\)](#)