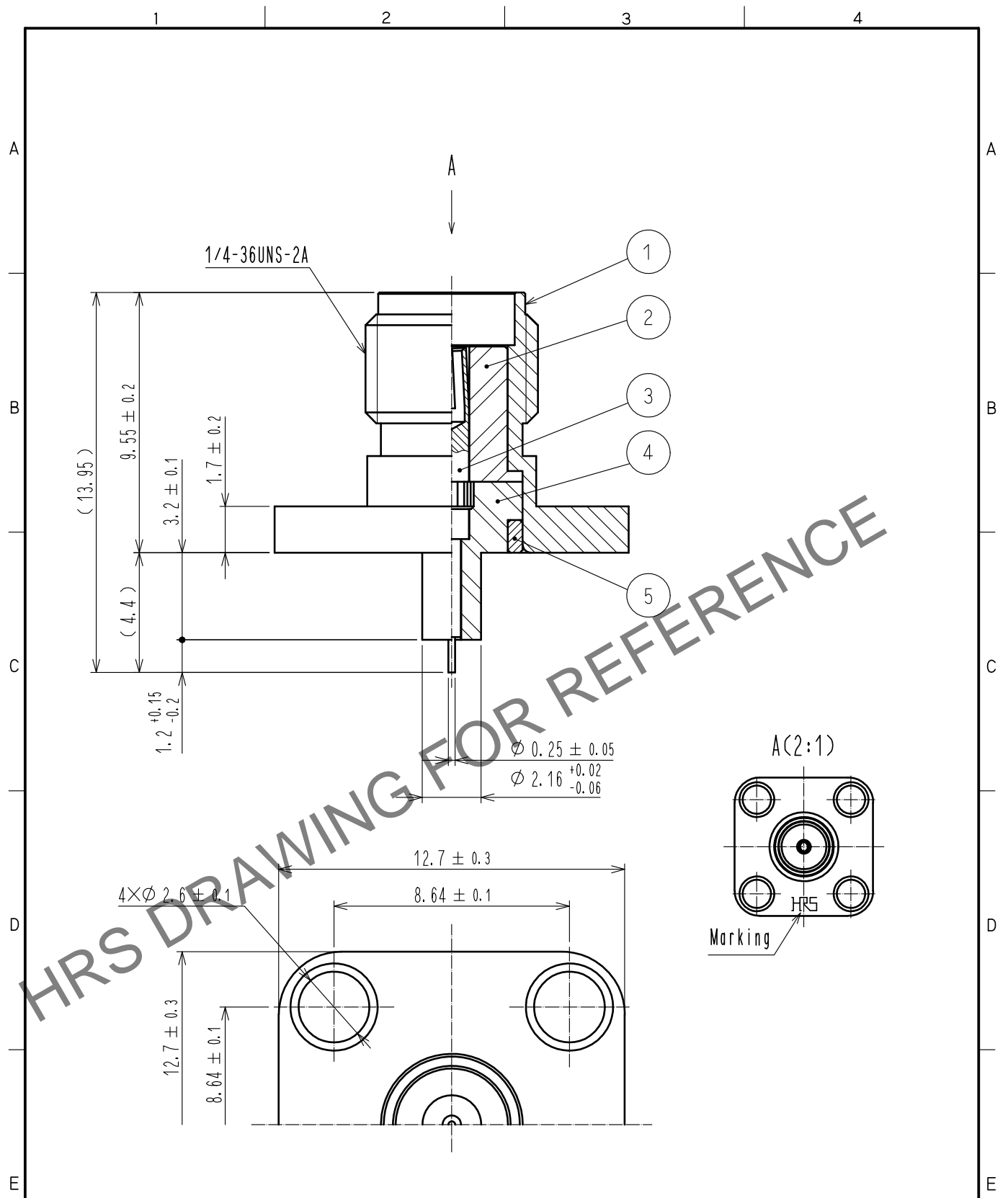


Jul.1.2023 Copyright 2023 HIROSE ELECTRIC CO., LTD. All Rights Reserved.  
 In case of consideration for using Automotive equipment / device which demand high reliability, kindly contact our sales window correspondents.



3	BERYLLIUM COPPER	GOLD PLATING						
2	PTFE		5	STAINLESS STEEL	PASSIVATE			
1	STAINLESS STEEL	PASSIVATE	4	PTFE				
NO.	MATERIAL	FINISH .	REMARKS	NO.	MATERIAL	FINISH .	REMARKS	
UNITS mm		SCALE 5 : 1	COUNT 	DESCRIPTION OF REVISIONS		DESIGNED	CHECKED	DATE
<b>HIROSE ELECTRIC CO., LTD.</b>	APPROVED	:NK. NINOMIYA	20220209	DRAWING NO.	EDC-008657-00-00			
	CHECKED	:NK. NINOMIYA	20220209	PART NO.	HRM-300-118S			
	DESIGNED	:MT. KANEKO	20220208	CODE NO.	CL0323-0229-0-00			
	DRAWN	:NK. OOSHIMA	20220208		1/1			

# Mouser Electronics

Authorized Distributor

Click to View Pricing, Inventory, Delivery & Lifecycle Information:

[Hirose Electric:](#)

[HRM-300-118S](#)