

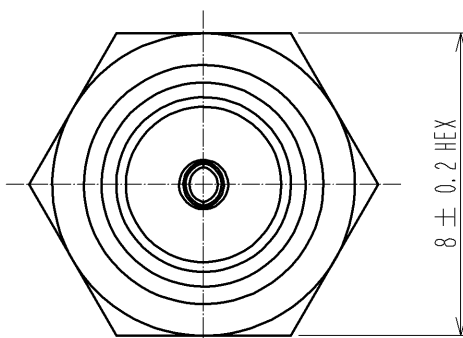
Jan.1.2022 Copyright 2022 HIROSE ELECTRIC CO., LTD. All Rights Reserved.
In case of consideration for using Automotive equipment / device which demand high reliability, kindly contact our sales window correspondents.

△ REDRAWN

CABLE ASSEMBLY TOOL

FOR SOLDERING : △ HRM-200/SO-MD

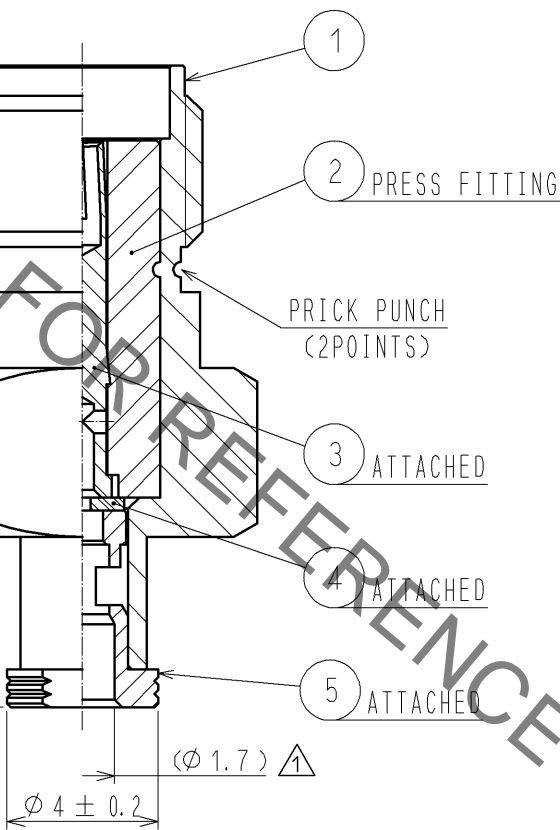
FOR PRESS FITTING : △ HRM-200-JBN/CV-MD



1/4-36UNS-2A

8 ± 0.3

17 ± 0.5
(4.5)



RoHS COMPLIANT

3	BERYLLIUM COPPER	GOLD PLATING					
2	PTFE		5	BRASS	GOLD PLATING		
1	BRASS	NICKEL PLATING	4	PTFE			
NO.	MATERIAL	FINISH .	REMARKS	NO.	MATERIAL	FINISH .	REMARKS

UNITS mm		SCALE 5 : 1	COUNT △ 4	DESCRIPTION OF REVISIONS DIS-D-001274 (C)	DESIGNED TS. KANEKO	CHECKED TO. KATAYAMA	DATE 08.11.21
-------------	--	----------------	--------------	--	------------------------	-------------------------	------------------

HRS HIROSE ELECTRIC CO., LTD.	APPROVED : IJ. MITANI	05.12.07	DRAWING NO.	EDC4-305373-40	
	CHECKED : NK. NINOMIYA	05.12.07	PART NO.	HRM-200-088JBN(40)	
	DESIGNED : YK. YASUMURO	05.12.07	CODE NO.	CL323-0801-8-40	△ 1/1
	DRAWN : TS. SAWAI	05.12.07			

Mouser Electronics

Authorized Distributor

Click to View Pricing, Inventory, Delivery & Lifecycle Information:

[Hirose Electric:](#)

[HRM-200-088JBN\(40\)](#)