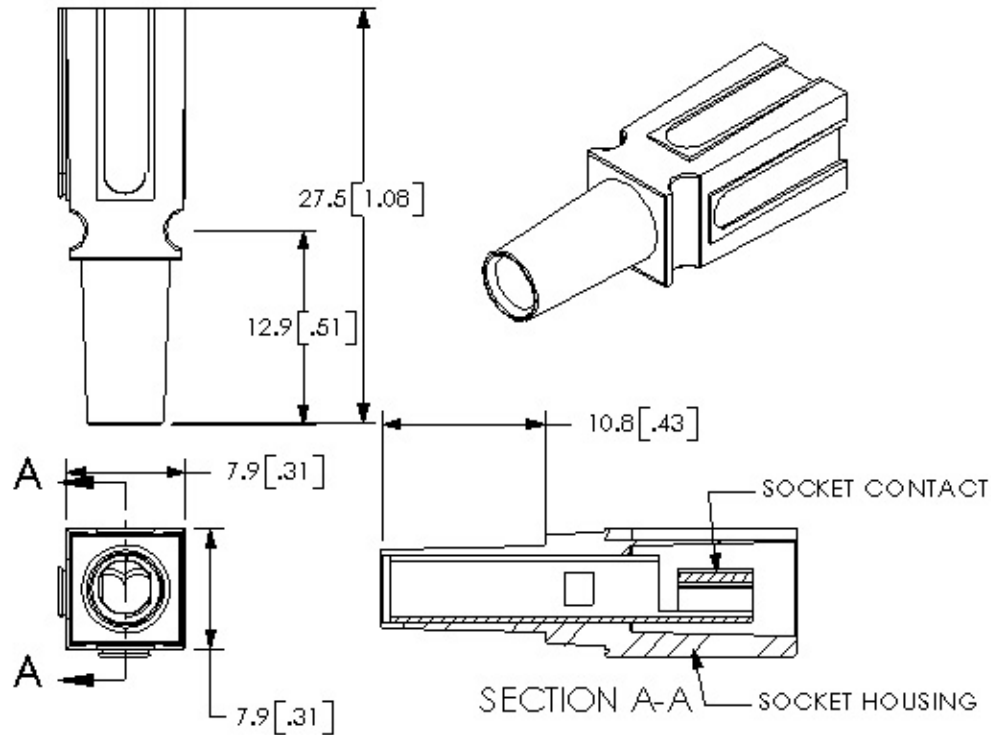
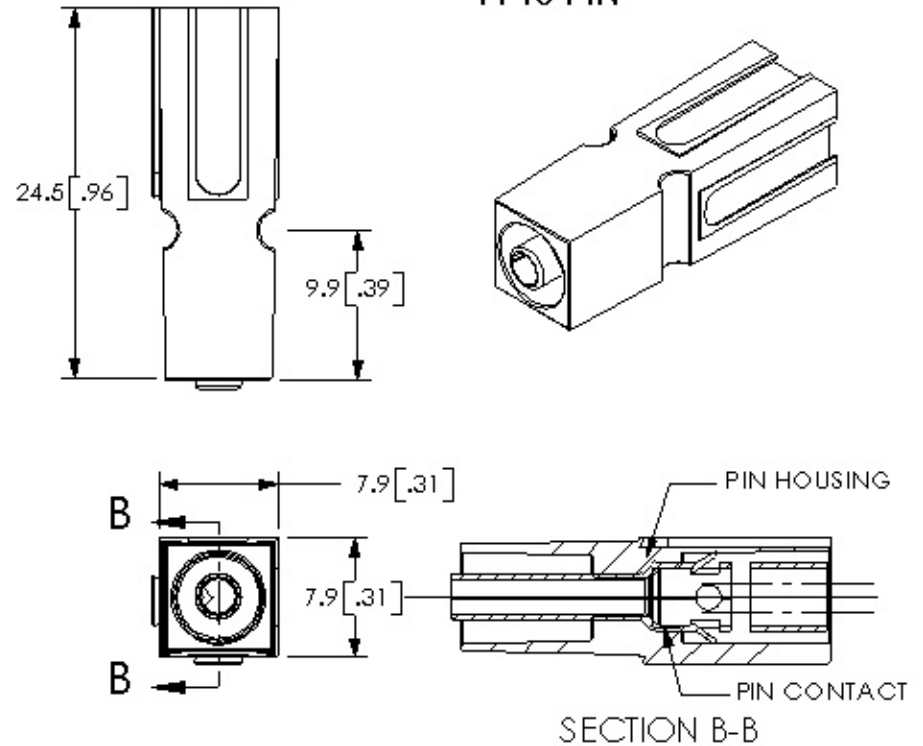


THE INFORMATION CONTAINED IN THIS DRAWING IS THE SOLE PROPERTY OF ANDERSON POWER PRODUCTS. ANY REPRODUCTION IN PART OR WHOLE WITHOUT THE WRITTEN PERMISSION OF ANDERSON POWER PRODUCTS IS PROHIBITED.

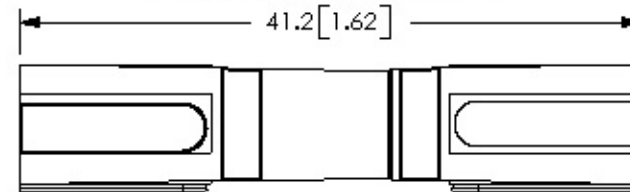
PP10 SOCKET



PP10 PIN



MATED CONNECTORS



NOTES:

- HOUSING AND CONTACT ASSEMBLIES ARE UL RECOGNIZED PER E2226 AND CSA CERTIFIED PER LR251 54.
- MATERIAL:
CONTACTS- BRASS- TIN PLATED
HOUSINGS- POLYCARBONATE, UL94V0
- CONTACTS ACCOMMOATE 14/16 AWG WIRE

ITEM NO.	PART OR IDENTIFYING NO.	QUANTITY OF DESCRIPTION	MATERIAL SPECIFICATION	QTY REQD			
PARTS LIST							
UNLESS OTHERWISE SPECIFIED:		CAD GENERATED DRAWING DO NOT MANUALLY EDIT		ANDERSON POWER PRODUCTS			
DIMENSIONS ARE IN MM'S WITH INCHES IN (). TOLERANCES ARE: 1 PL ±.4 2 PL ±.2		APPROVALS	DATE	POWERPOLE 10 PIN AND SOCKET			
MATERIAL: SEE NOTES		DESIGNER	DATE				
FINISH: —		CHECKER	DATE				
REV	DESCRIPTION	DATE	APP.	DO NOT SCALE DRAWING	SIZE: A	DWG. NO.	REV: 0
					SCALE: 2:1	CAD FILE: PINANDSOCKET	DATE: 11/10/99