

FLOJET

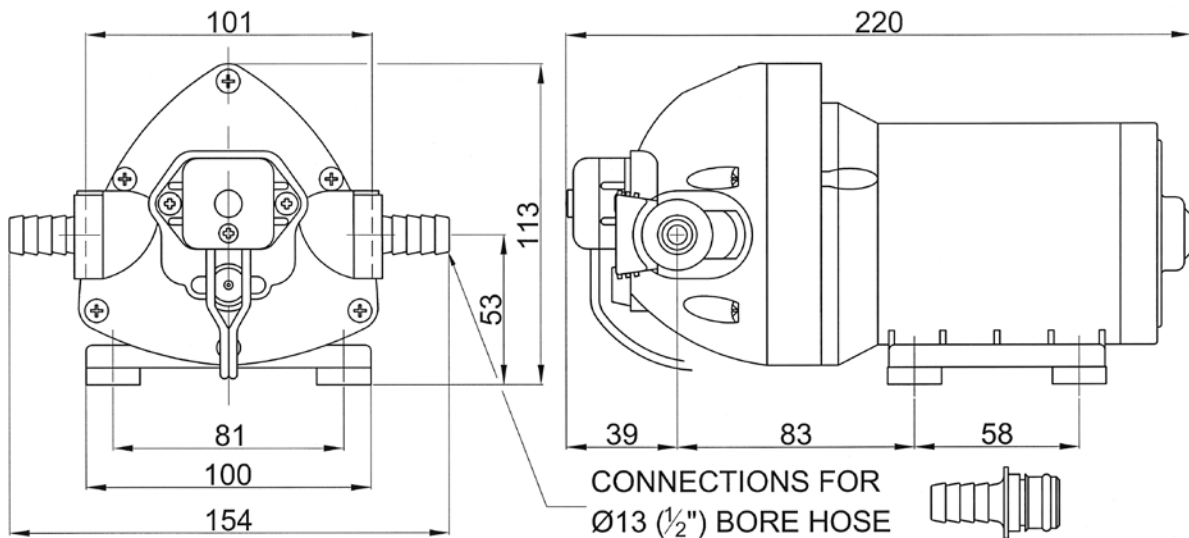
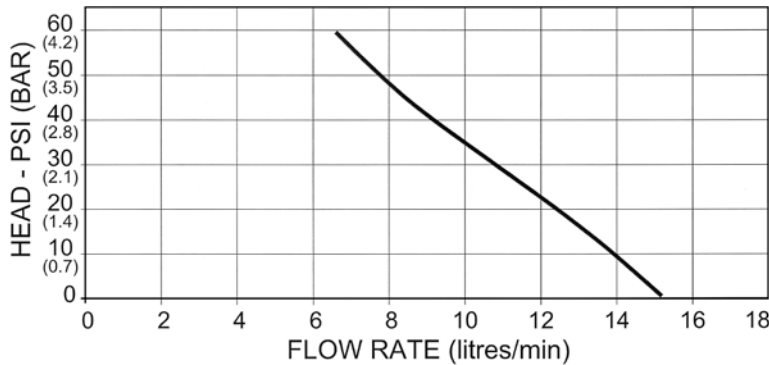
a xylem brand

R3521139A 12v dc R3521339A 24v dc HI-FLOW TRIPLEX PUMPS

- ◆ 3 chamber diaphragm pump
- ◆ Corrosion resistant liquid contact parts
- ◆ Intermittent duty
- ◆ Self-priming capability up to 1.5m, pump can be located above supply tank
- ◆ Can run dry for extended periods of time without damage
- ◆ Can handle liquid temperatures from 4°C to 60°C
- ◆ Ideal for applications such as spraying, transfer of liquids, delivery, dispensing and pressure boosting

WEIGHT: 3 Kg

AMP DRAW: 12v dc = 8 - 11 amps
24v dc = 4 - 6 amps



CONNECTIONS: ½" hose.

MAXIMUM PRESSURE:

60 psi (4.1 bar) switch cut-off,
50 psi (3.4 bar) running pressure

MATERIALS OF CONSTRUCTION:

Pump head: Polypropylene
Diaphragm: Santoprene®
Valves: Viton

OUTPUT:

Up to 15 litres/minute (3.3 gallons/minute)