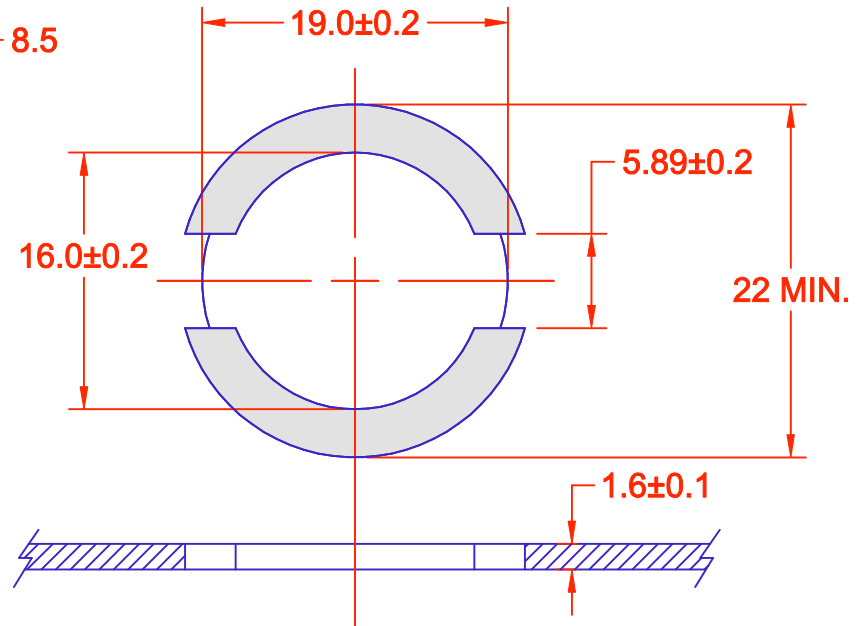
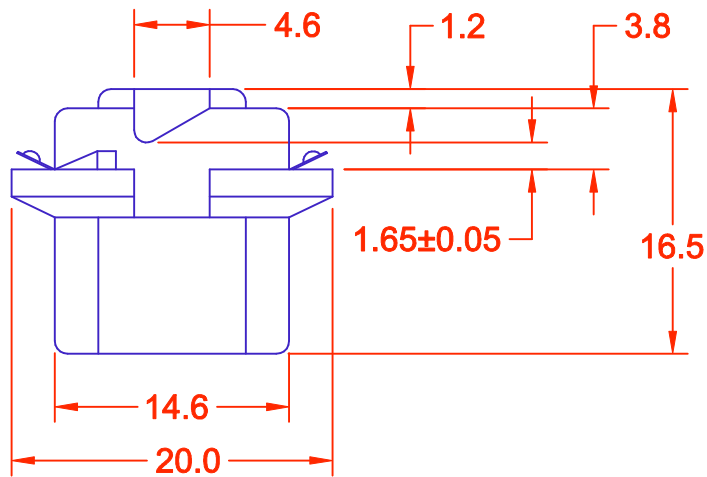
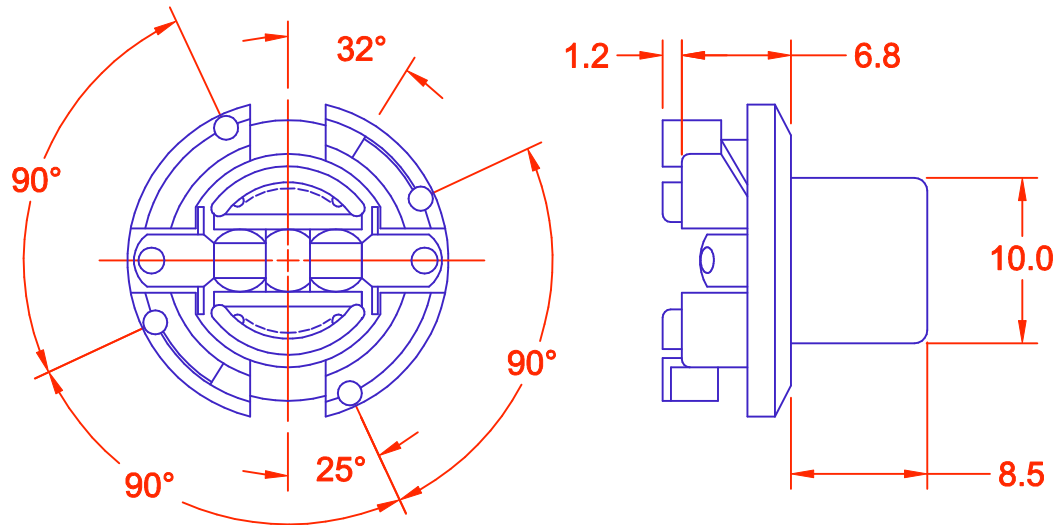


REV.	DESCRIPTION/ECO NO.	DATE
	RELEASED TO CAD	8/26/02
A	CHNG. COPPER PATTERN	4/3/03



P.C. BOARD PATTERN

JKL PART NO.: 2919/BLA
 SOCKET COLOR: BLACK

 THIRD ANGLE PROJECTION	METRIC DIMENSIONS ARE IN MILLIMETERS	JKL COMPONENTS CORPORATION TITLE T-3 1/4 WEDGE BASE SOCKET			
	TOLERANCE UNLESS OTHERWISE SPECIFIED 1 PL +/- 0.2 2 PL +/- 0.20 ANGLE +/- 0				
DRAWN BY L. WENGSTROM	APPVD BY DATE J.K. 4/3/03	SIZE A	FSCM NO. 55335	DRAWING NO.	SOCKET 2919
- CAD DRAWING - MANUAL REVISIONS NOT PERMITTED		SCALE NONE	RELEASED DATE 8/26/02	REVISION DATE 4/3/03	REV. NO. A SHEET 1 OF 1

Mouser Electronics

Authorized Distributor

Click to View Pricing, Inventory, Delivery & Lifecycle Information:

[JKL Components:](#)

[2919](#)