

# FOX PART NUMBER: 495-25-141

## Ceramic, Seam-Sealed, SMD, Crystal



Model: FX532B Series

RoHS / REACH Compliant / Pb Free

Rev. 3/25/2015

Page 1 of 1

[http://www.foxonline.com/need\\_a\\_sample.htm](http://www.foxonline.com/need_a_sample.htm)

Need a  
Sample®

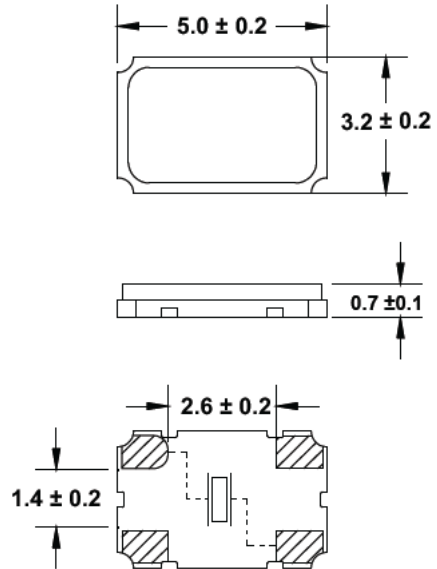
<b>For Use with:</b>
IDT'S VCXO-BASED SYNCHRONIZATION PLLS

• FOX PART NUMBER: 495-25-141		
Part Number	Model Number	Frequency
495-25-141	FX532B	25.000 MHz

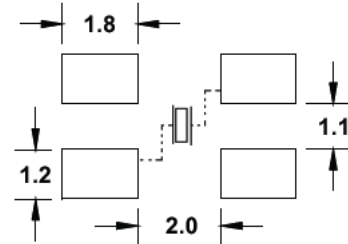
• STANDARD SPECIFICATIONS	
PARAMETERS	MAX (unless otherwise noted)
Frequency	25.000 MHz
Resonance Mode	Fundamental
Frequency Tolerance @ 25°C	±10 PPM
Frequency Stability, ref @ 25°C Over Operating Temp Range	±20 PPM
Temperature Range	
Operating (TOPR)	-40°C ~ +85°C
Storage (TSTG)	-40°C ~ +85°C
Equivalent Series Resistance (ESR)	40 Ohms
Shunt Capacitance (Co)	7.0 pF
Load Capacitance (CL)	10 pF
Drive Level	0.2 mW
Pullability 7.5 - 14.8pF	±70 PPM
Aging 10 Yrs	±11 PPM
Maximum Soldering Temp / Time	260°C / 10 Seconds
Termination Finish	Au
Moisture Sensitivity Level (MSL)	1
Weight (TYP)	42.78 mg

Note: Dimensional drawing is for reference to critical specifications defined by size measurements. Certain non-critical visual attributes, such as side castellations, etc. may vary. The above specifications, having been carefully prepared and checked, is believed to be accurate at the time of publication; however, no responsibility is assumed by Fox Electronics for inaccuracies. All specifications subject to change without notice.

### B. Mechanical / Dimensions (millimeters):



### Recommended Solder Pad Layout



All dimensions are in millimeters.

# Mouser Electronics

Authorized Distributor

Click to View Pricing, Inventory, Delivery & Lifecycle Information:

[ABRACON:](#)

[495-25-141](#)