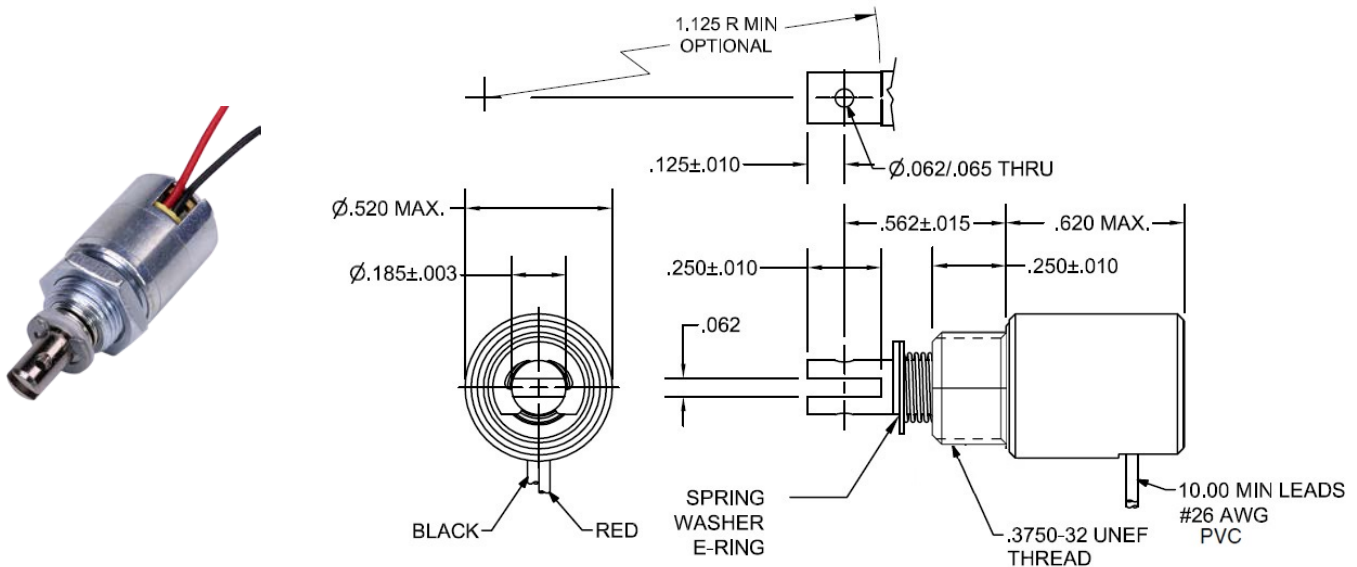


Model 50

STA[®] Pull Latching DC Tubular Solenoid

Size: 1/2" OD X 5/8" L

ALL PRODUCTS ARE RoHS COMPLIANT



See website for coil connection and operation details
Solenoid shown latched with plunger fully seated

Part No.	Duty Cycle	Pull-in Voltage	Unlatch Voltage	Resistance (Ω) ± 5%	Max On Time	Power (W)	Current (A)
151082-232	Intermittent	7.5 VDC	3.8 VDC	4.57	5 Secs	12	1.62
151082-234	Intermittent	12 VDC	6 VDC	13.10	5 Secs	11	0.92
151082-237	Intermittent	24 VDC	12 VDC	45.70	5 Secs	12	0.53

Intermittent Duty = 25% "On" Time
When ordering please refer to Part No. as listed above
Please consult factory for custom configurations

Stroke (in.)	Typical Pull Force (oz.) (net with spring)								Magnet Hold Force (oz.)
	0.010	0.020	0.030	0.040	0.050	0.060	0.080	0.100	
Intermittent Duty	22.0	17.0	14.7	11.9	9.4	7.5	5.1	3.6	7.5 w/spring

Additional Specifications:

- Dielectric Strength: 500 VRMS
- Recommended Heat Sink: Maximum watts dissipated by solenoid are based on an unrestricted flow of air at 20°C, with solenoid mounted to the equivalent of an aluminum plate measuring 2" square by 1/8" thick.
- Return Spring Rate: 35.2 ozs/in; 4.47 ozs latched position
- Total Unit Weight: 0.52 oz. / 14.74 g
- Plunger Weight: 0.093 oz. / 2.64 g