

5

4

3

2

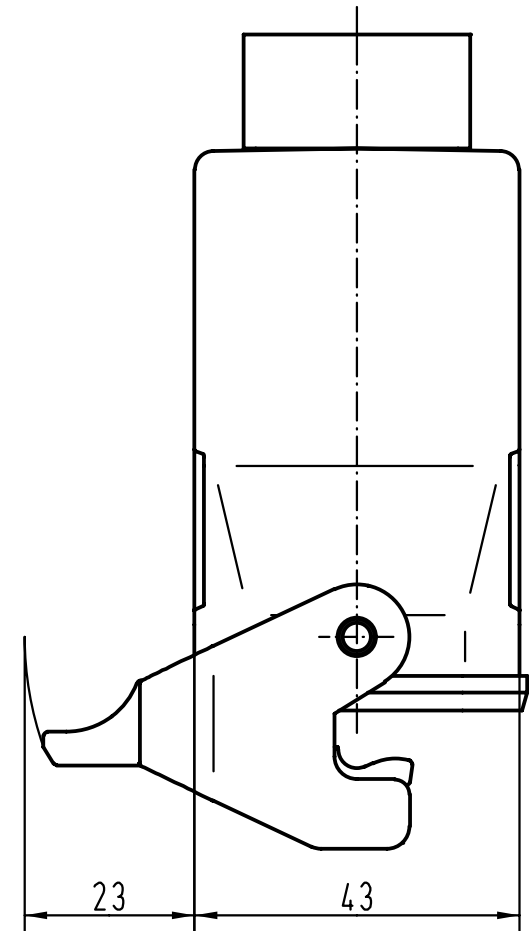
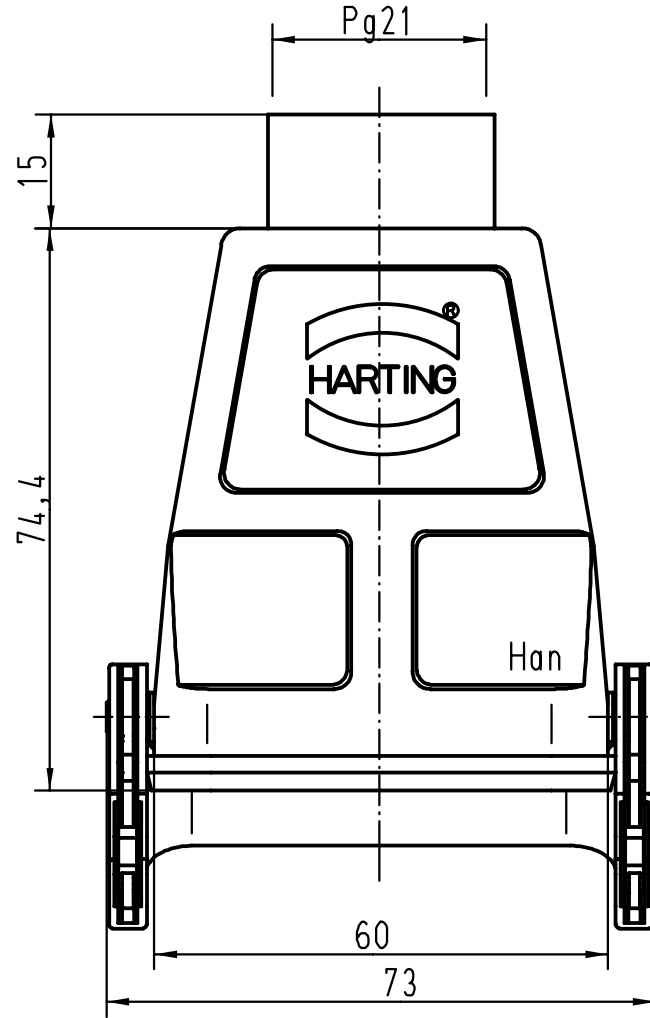
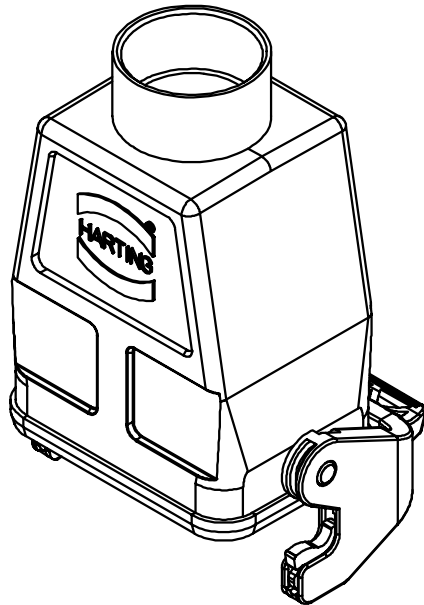
1

D

C

B

A



| | | | | | | | | |
|---|------|------|-------------------|-----------------------------------|---------------------------|---|--|-------------------|
| All Dimensions in mm Original Size DIN A 4 | | | Techn. Character. | | | Nicht tolerierte Masse/ Free size tolerances | | |
| | | | Dat. 17.04.00 | Name Gü | Massstab/Scale 1:1 | Han 6B-kg-LB-21 Kupplungsgehäuse/ hoods cable to cable | | |
| | | | Insp. | FER | | | | |
| | | | Stand. | | | | | |
| 27786 | Mod. | Dat. | Name | HARTING KGaA D-32339 ESPELKAMP | | | | TB 09 30 006 0752 |
| | | | | | | Sub. TB 09 30 006 075. v. 15.01.93 | | Blatt/ page |