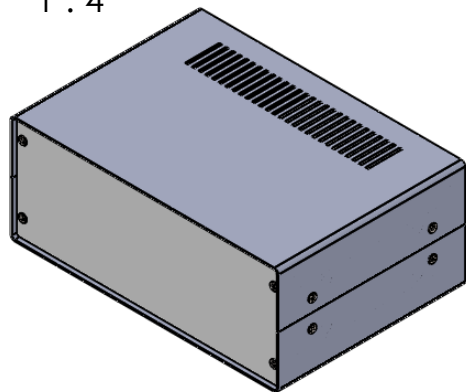


ISO VIEW
1 : 4



CAMDENBOSS
ELECTRONICS & ENCLOSURES
JAMES CARTER RD, MILDENHALL, SUFFOLK. IP28 7DE
TEL: 01638 716101 FAX: 01638 716554
EMAIL: Sales@CamdenBoss.com
WEB: www.CamdenBoss.com

UNLESS OTHERWISE SPECIFIED:
DIMENSIONS ARE IN MILLIMETERS

GENERAL TOLERANCES +/- 0.2

FINISH. SHELL RAL: 9010
FRONT + BACK: SILVER
ANODIZED

MATERIAL. SHELL: STEEL
FRONT + BACK: ALUMINIUM

PROJECTION.

DO NOT SCALE DRAWING

REVISION.

TITLE: DIMENSION DRAWING FOR METAL
CONSOL BOX SIZE 2

DWG NO. **CMCB00002**

A4

| | NAME | SIGNED | DATE |
|-------|------------|--------|----------|
| DRAWN | IAN PAGANO | I.P. | 06/03/14 |
| CHKD | - | - | - |

SCALE: 1:3

SHEET 1 OF 1