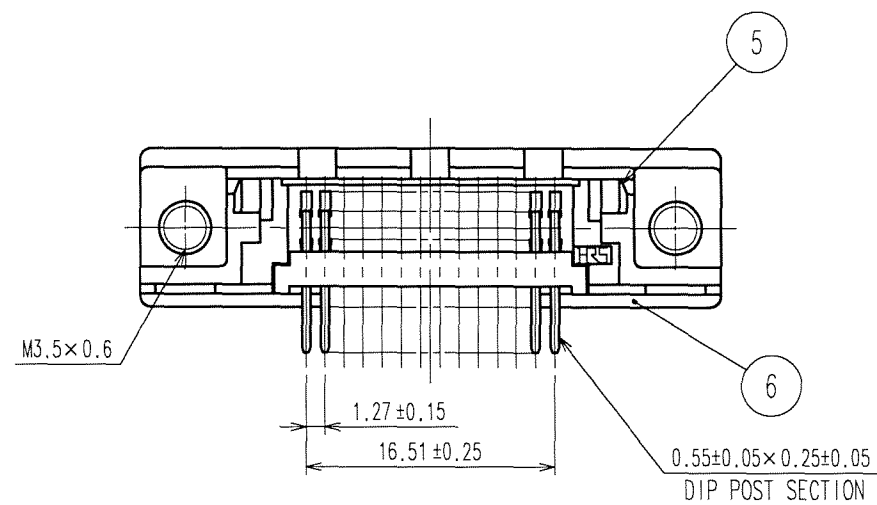
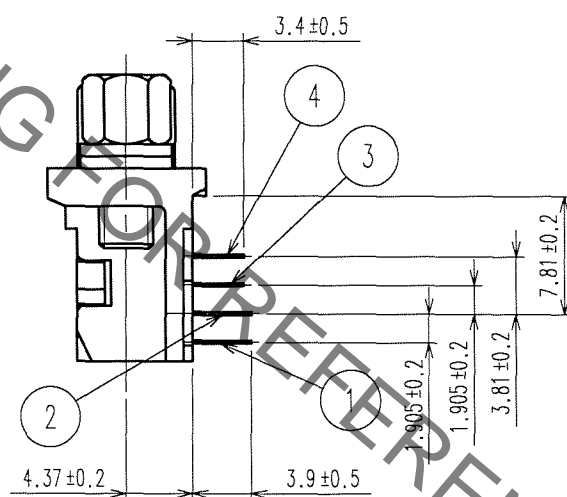
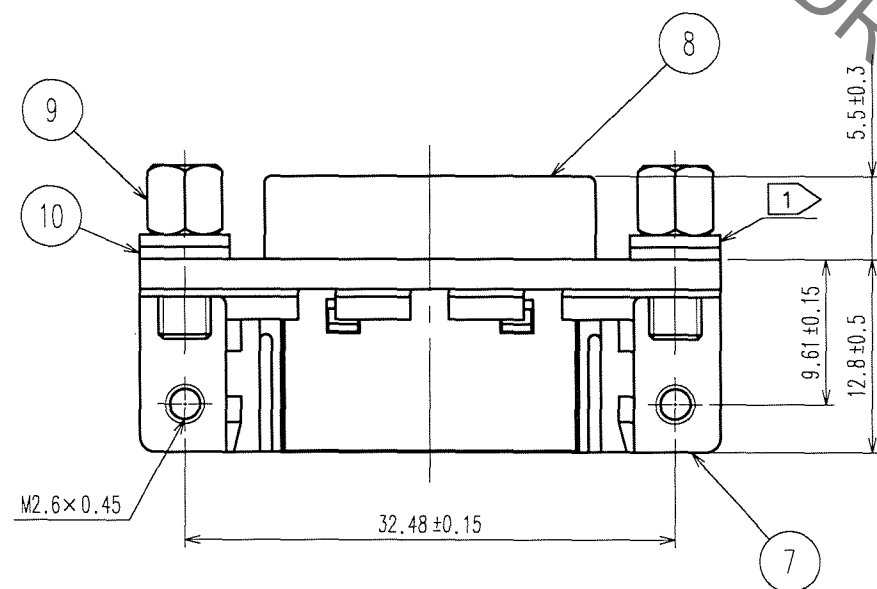
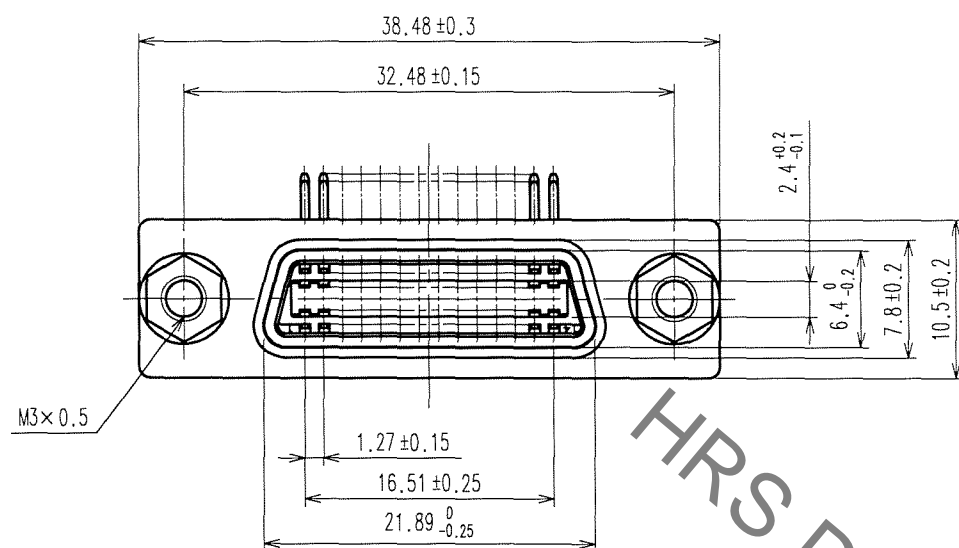
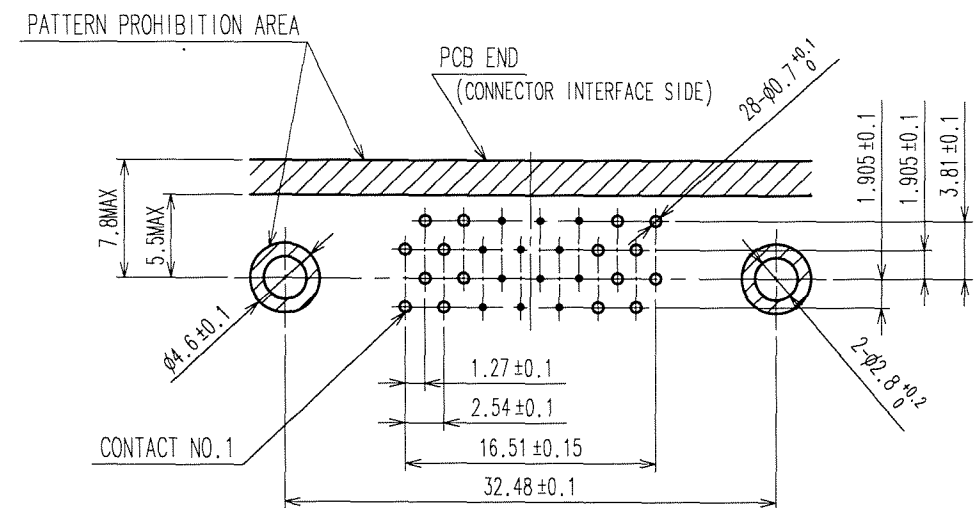


Dec.1.2021 Copyright 2021 HIROSE ELECTRIC CO., LTD. All Rights Reserved.  
In case of consideration for using Automotive equipment / device which demand high reliability, kindly contact our sales window correspondents.

COUNT	DESCRIPTION OF REVISIONS	BY	CHKD	DATE	COUNT	DESCRIPTION OF REVISIONS	BY	CHKD	DATE
△	REWRITTEN BY CAD	Y.S		..	△				..
△	5 DIS-E-001025	Y.S	Y.E	06.11.2	△				..
△				..	△				..



RECOMMENDED PC BOARD PATTERN



NOTE ① PART No. ⑩ SHALL BE FINISHED AS TABLE SHOWN BELOW ACCORDING TO PANEL THICKNESS.  
(WASHER THICKNESS : 0.8)

PANEL THICKNESS	NUMBER OF WASHER
t=0.7 ~ 1.0	2 EACH
t=1.5 ~ 1.8	1 EACH

7	ZINC ALLOY DIE CASTING	OVER: NICKEL PLATING 2μ m min UNDER: COPPER PLATING 10μ m min	10	STEEL	OVER: NICKEL PLATING 2μ m min UNDER: COPPER PLATING 3μ m min
6	PBT	UL94V-0(BLACK)	9	BRASS	OVER: NICKEL PLATING 2μ m min UNDER: COPPER PLATING 1μ m min
5	PBT	UL94V-0(BLACK)	8	STEEL	OVER: NICKEL PLATING 1μ m min UNDER: COPPER PLATING 5μ m min
1~4	PHOSPHOR BRONZE	CONTACT: GOLD PLATING 0.2μ m min DIP: GOLD PLATING 0.03μ m min UNDER: NICKEL PLATING 2μ m min			
NO.	MATERIAL	FINISH, REMARKS	NO.	MATERIAL	FINISH, REMARKS

CODE NO. (OLD)	DRAWN	DESIGNED	CHECKED	APPROVED	RELEASED
CL	T.KAMEYA	T.KAMEYA	Y.ENAMI	H.MIWA	
	03.10.06	03.10.06	03.10.07	03.10.08	

SCALE	DRAWING NO.	PART NO.
2 : 1	EDC3-040771-01	DX10A-28S(50)
UNITS	mm	CODE NO.
	HIROSE ELECTRIC CO., LTD	CL230-0048-5-50

TO
Q1

1/1

# Mouser Electronics

Authorized Distributor

Click to View Pricing, Inventory, Delivery & Lifecycle Information:

[Hirose Electric:](#)

[DX10A-28S\(50\)](#)