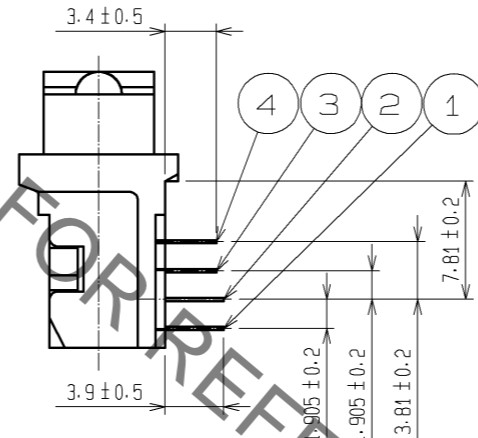
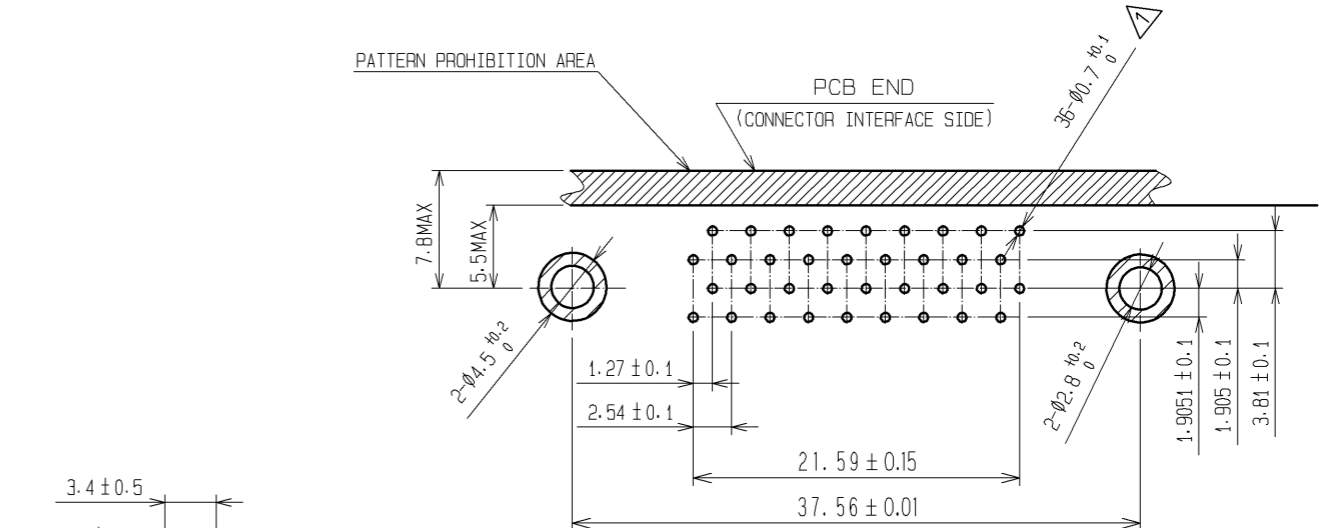
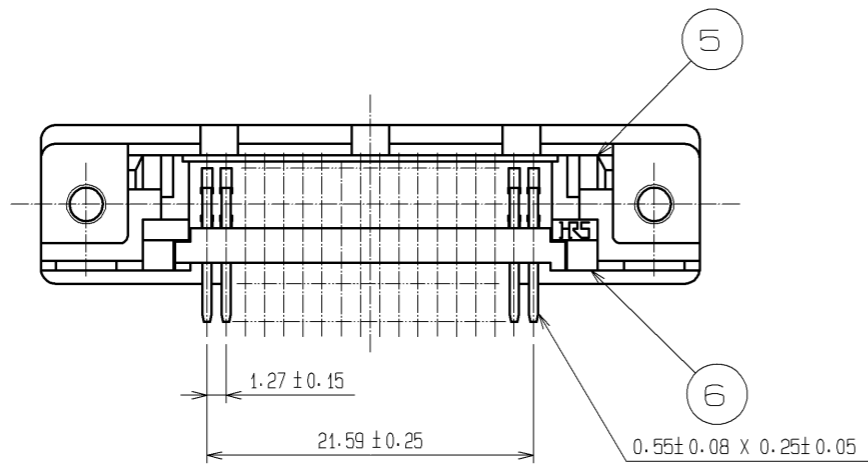
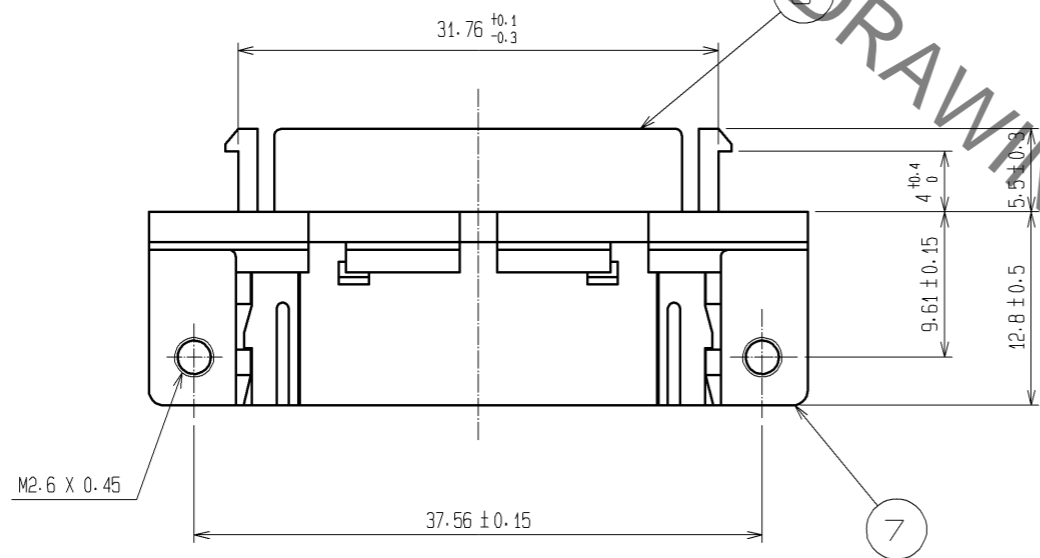
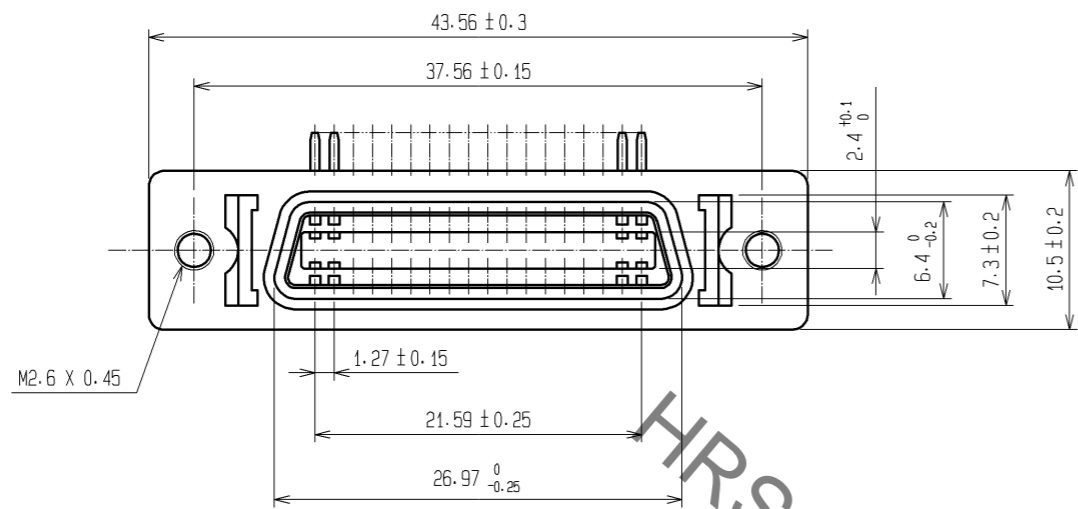


Jan.1.2022 Copyright 2022 HIROSE ELECTRIC CO., LTD. All Rights Reserved.
In case of consideration for using Automotive equipment / device which demand high reliability, kindly contact our sales window correspondents.



RECOMMENDED PC BOARD PATTERN

4	PHOSPHOR BRONZE	SELECTIVE GOLD PLATING 0.2μm min	8	STEEL	NICKEL PLATING				
3	PHOSPHOR BRONZE	SELECTIVE GOLD PLATING 0.2μm min	7	ZINC ALLOY DIE CASTING	NICKEL PLATING				
2	PHOSPHOR BRONZE	SELECTIVE GOLD PLATING 0.2μm min	6	PBT	UL94V-0(BLACK)				
1	PHOSPHOR BRONZE	SELECTIVE GOLD PLATING 0.2μm min	5	PBT	UL94V-0(BLACK)				
NO.	MATERIAL	FINISH . REMARKS	NO.	MATERIAL	FINISH . REMARKS				
UNITS	mm	SCALE	2 : 1	COUNT	1	DESCRIPTION OF REVISIONS	DESIGNED	CHECKED	DATE
						DIS-E-002165	YK. SATO	HO. MIWA	08.02.26
APPROVED : HO. MIWA			05.01.05		DRAWING NO.		EDC3-027309-01		
CHECKED : YH. ENAMI			05.01.05		PART NO.		DX10-36S(50)		
DESIGNED : TU. TANIGUCHI			05.01.05		CODE NO.		CL230-0003-7-50		
DRAWN : TU. TANIGUCHI			05.01.05				1/1		

Mouser Electronics

Authorized Distributor

Click to View Pricing, Inventory, Delivery & Lifecycle Information:

[Hirose Electric:](#)

[DX10-36S\(50\)](#)