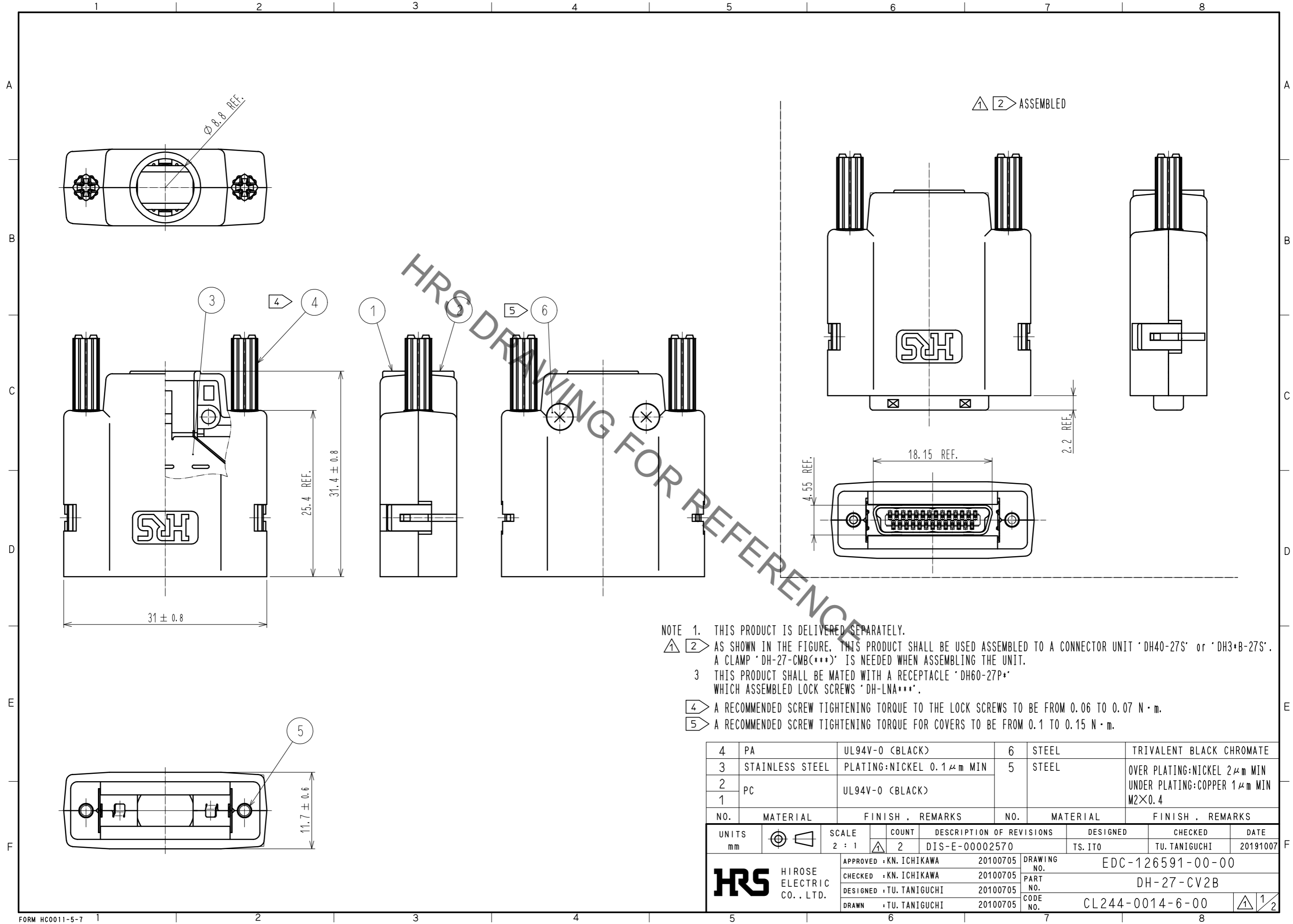


Dec.1.2021 Copyright 2021 HIROSE ELECTRIC CO., LTD. All Rights Reserved.  
 In case of consideration for using Automotive equipment / device which demand high reliability, kindly contact our sales window correspondents.



- NOTE 1. THIS PRODUCT IS DELIVERED SEPARATELY.  
 ① ② AS SHOWN IN THE FIGURE, THIS PRODUCT SHALL BE USED ASSEMBLED TO A CONNECTOR UNIT 'DH40-27S' or 'DH3+B-27S'. A CLAMP 'DH-27-CMB(\*\*\*)' IS NEEDED WHEN ASSEMBLING THE UNIT.  
 3 THIS PRODUCT SHALL BE MATED WITH A RECEPTACLE 'DH60-27P+' WHICH ASSEMBLED LOCK SCREWS 'DH-LNA\*\*\*'.  
 ④ A RECOMMENDED SCREW TIGHTENING TORQUE TO THE LOCK SCREWS TO BE FROM 0.06 TO 0.07 N · m.  
 ⑤ A RECOMMENDED SCREW TIGHTENING TORQUE FOR COVERS TO BE FROM 0.1 TO 0.15 N · m.

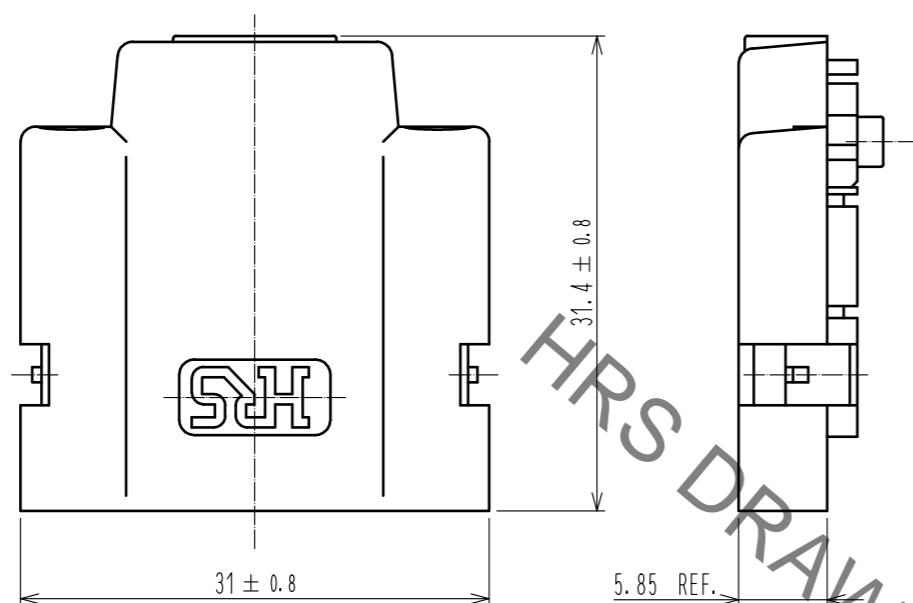
NO.	MATERIAL	FINISH . REMARKS	NO.	MATERIAL	FINISH . REMARKS
4	PA	UL94V-0 (BLACK)	6	STEEL	TRIVALENT BLACK CHROMATE
3	STAINLESS STEEL	PLATING:NICKEL 0.1 μm MIN	5	STEEL	OVER PLATING:NICKEL 2 μm MIN UNDER PLATING:COPPER 1 μm MIN
2	PC	UL94V-0 (BLACK)			M2×0.4
1					

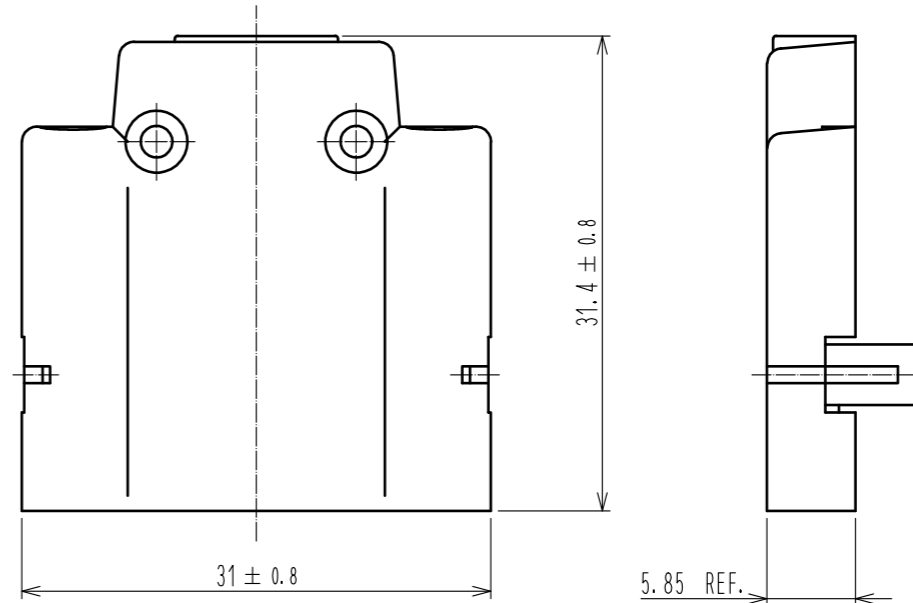
UNITS	SCALE	COUNT	DESCRIPTION OF REVISIONS	DESIGNED	CHECKED	DATE
mm	2 : 1	① 2	DIS-E-00002570	TS. ITO	TU. TANIGUCHI	20191007
APPROVED : KN. ICHIKAWA			20100705	DRAWING NO. EDC-126591-00-00		
CHECKED : KN. ICHIKAWA			20100705	PART NO. DH-27-CV2B		
DESIGNED : TU. TANIGUCHI			20100705	CODE NO. CL244-0014-6-00		
DRAWN : TU. TANIGUCHI			20100705	① ②		

Dec.1.2021 Copyright 2021 HIROSE ELECTRIC CO., LTD. All Rights Reserved.  
In case of consideration for using Automotive equipment / device which demand high reliability, kindly contact our sales window correspondents.

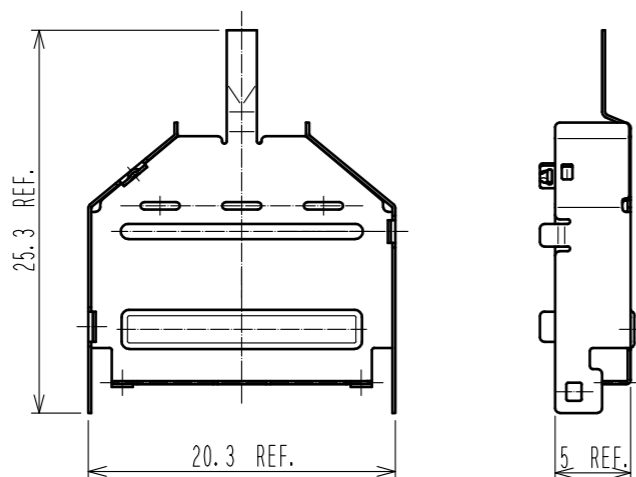
REF No. ①



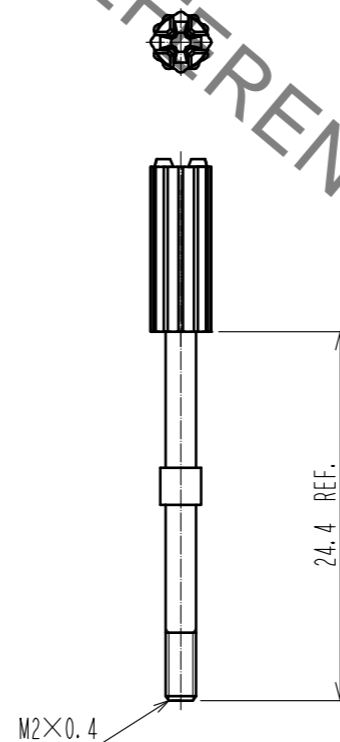
REF No. ②



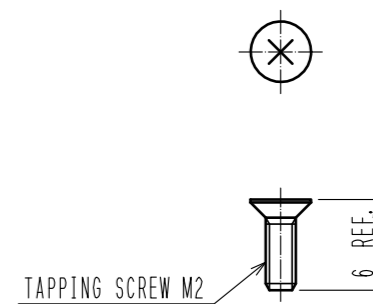
REF No. ③



REF No. ④ ⑤



REF No. ⑥



<b>HRS</b>	DRAWING NO.	EDC-126591-00-00
	PART NO.	DH-27-CV2B
	CODE NO.	CL244-0014-6-00
		2/2

# Mouser Electronics

Authorized Distributor

Click to View Pricing, Inventory, Delivery & Lifecycle Information:

[Hirose Electric:](#)

[DH-27-CV2B](#)