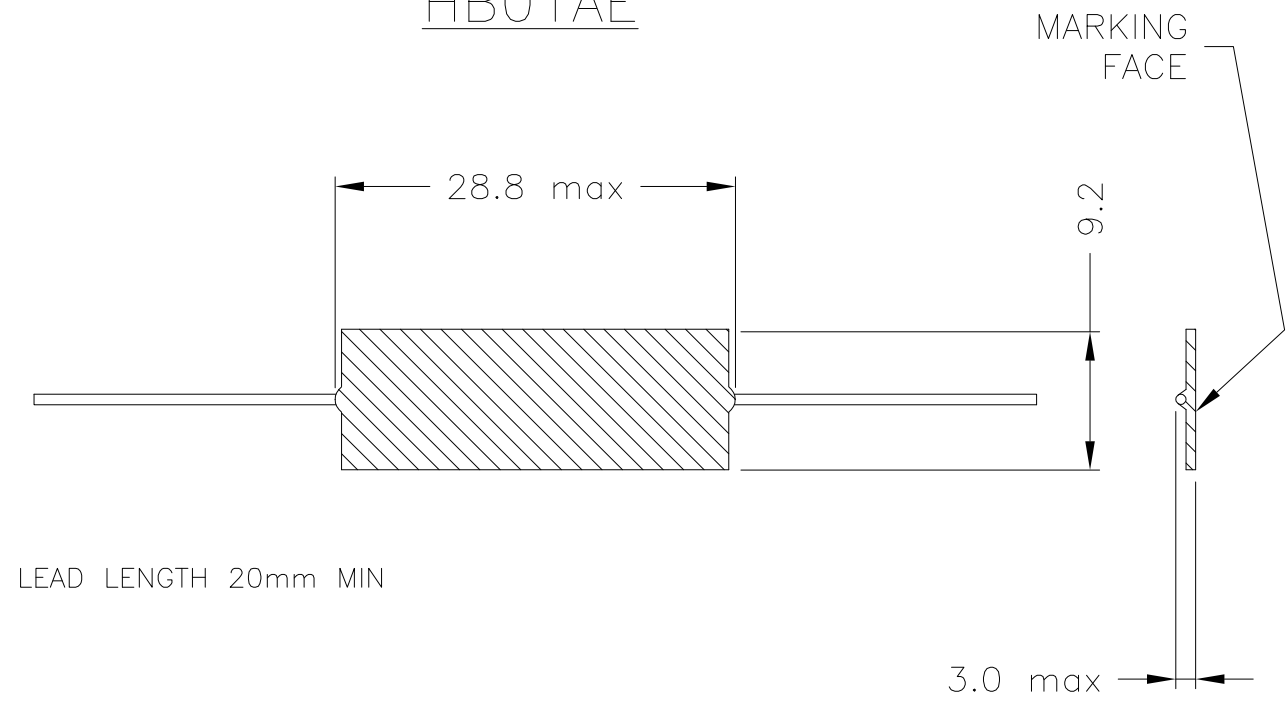


THIS DRAWING IS UNPUBLISHED. RELEASED FOR PUBLICATION
 © COPYRIGHT - By - ALL RIGHTS RESERVED.

LOC	DIST	REVISIONS			
P	LTR	DESCRIPTION	DATE	DWN	APVD
	B1	REVISED PER ECO-11-005150	21MAR11	RK	HMR

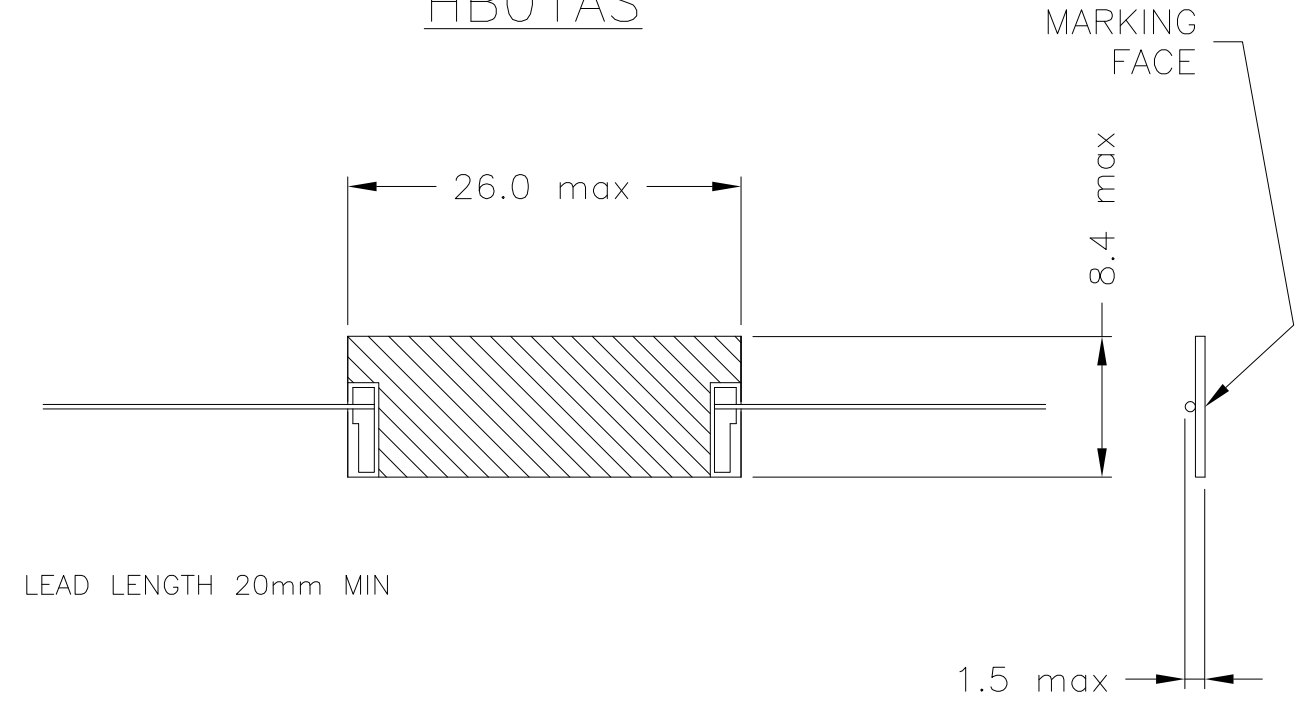
HB01AE



DESCRIPTION: HIGH VOLTAGE THICK FILM RESISTOR.
 LEAD MATERIAL: TINNED COPPER WIRE
 LEAD CROSS-SECTION: 0.6 +/-0.5 DIA
 HYBRID PROTECTION: CONFORMAL EPOXY COATING
 MARKING: AS SHOWN BELOW ON MARKING FACE

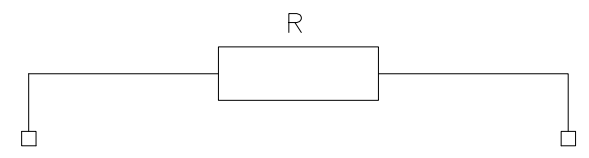
HB01A
 VAL. TOL. TCR
 DATE CODE

HB01AS



DESCRIPTION: HIGH VOLTAGE THICK FILM RESISTOR.
 LEAD MATERIAL: TINNED COPPER WIRE
 LEAD CROSS-SECTION: 0.6 +/-0.5 DIA
 HYBRID PROTECTION: SCREEN PRINTED SILICONE COATING
 MARKING: AS SHOWN BELOW ON MARKING FACE

HB01A
 VAL. TOL. TCR
 DATE CODE



TYPICAL SCHEMATIC

FOR A SPECIFIC PN FOR A RESISTANCE VALUE AND TOLERANCE, PLEASE REFER TO DMF.

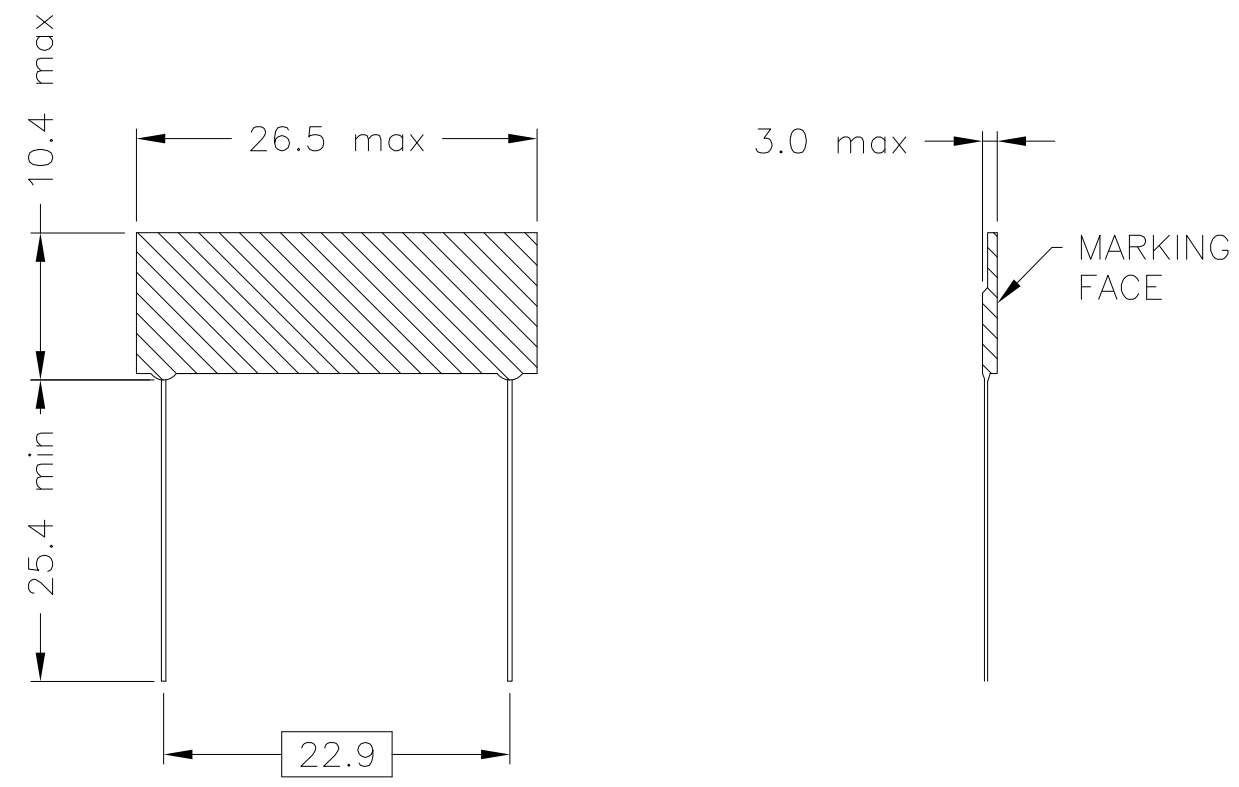
RoHS Compliant

THIS DRAWING IS A CONTROLLED DOCUMENT.		DWN 31OCT2005 DAVE KENNEDY	STE TE Connectivity		
DIMENSIONS: MM		CHK 01NOV05 J CATCHPOLE			
TOLERANCES UNLESS OTHERWISE SPECIFIED:		APVD 01NOV05 J CATCHPOLE	PRODUCT SPEC -		RESTRICTED TO -
0 PLC ± -		PRODUCT SPEC	APPLICATION SPEC -		
1 PLC ± -		APPLICATION SPEC	SIZE	CAGE CODE	DRAWING NO
2 PLC ± -		MATERIAL	A300779		C-1625958
3 PLC ± -		FINISH	CUSTOMER DRAWING		SCALE NTS
4 PLC ± -			SHEET 1 OF 2		REV B1
ANGLES ± -					

THIS DRAWING IS UNPUBLISHED. RELEASED FOR PUBLICATION
 © COPYRIGHT - By - ALL RIGHTS RESERVED.

LOC	DIST	REVISIONS			
P	LTR	DESCRIPTION	DATE	DWN	APVD
		SEE SHEET 1	-	-	-

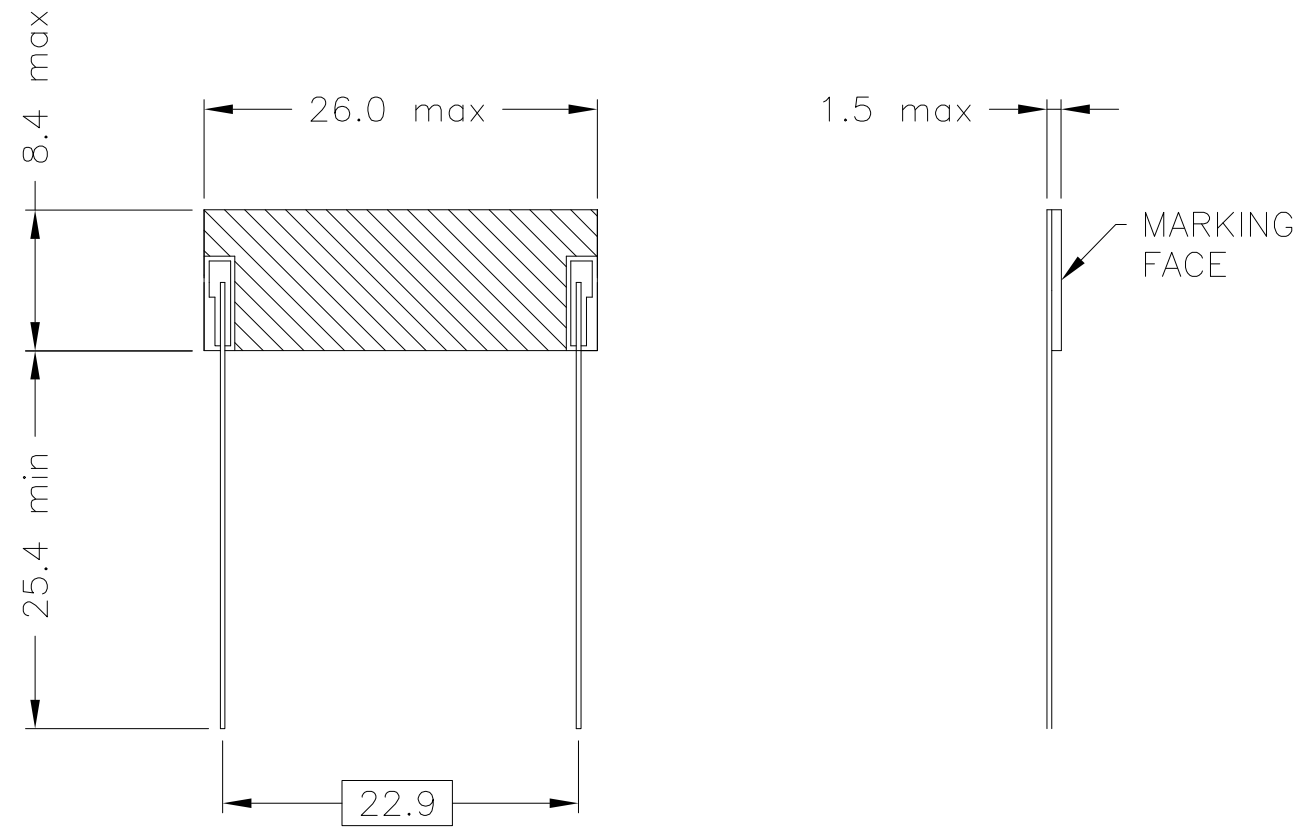
HB01RE



DESCRIPTION: HIGH VOLTAGE THICK FILM RESISTOR.
 LEAD MATERIAL: TINNED COPPER WIRE
 LEAD CROSS-SECTION: 0.6 +/-0.5 DIA
 HYBRID PROTECTION: CONFORMAL EPOXY COATING
 MARKING: AS SHOWN BELOW ON MARKING FACE

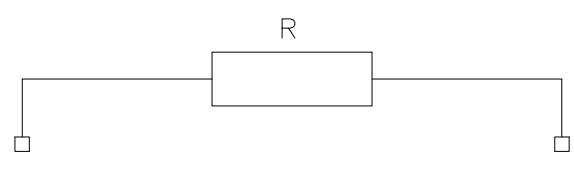
HB01R
 VAL. TOL. TCR
 DATE CODE

HB01RS



DESCRIPTION: HIGH VOLTAGE THICK FILM RESISTOR.
 LEAD MATERIAL: TINNED COPPER WIRE
 LEAD CROSS-SECTION: 0.6 +/-0.5 DIA
 HYBRID PROTECTION: SCREEN PRINTED SILICONE COATING
 MARKING: AS SHOWN BELOW ON MARKING FACE

HB01R
 VAL. TOL. TCR
 DATE CODE



TYPICAL SCHEMATIC

FOR A SPECIFIC PN FOR A RESISTANCE VALUE AND TOLERANCE, PLEASE REFER TO DMF.

RoHS Compliant

THIS DRAWING IS A CONTROLLED DOCUMENT.		DWN 31OCT2005 DAVE KENNEDY	STE TE Connectivity		
DIMENSIONS: MM		CHK 01NOV05 J CATCHPOLE			
TOLERANCES UNLESS OTHERWISE SPECIFIED:		APVD 01NOV05 J CATCHPOLE	PRODUCT SPEC -		RESTRICTED TO -
0 PLC ± -		PRODUCT SPEC -	APPLICATION SPEC -	SIZE A3	
1 PLC ± -		APPLICATION SPEC -	WEIGHT -	CAGE CODE 00779	DRAWING NO C-1625958
2 PLC ± -		MATERIAL -	FINISH -	SCALE NTS	SHEET 2 OF 2
3 PLC ± -		CUSTOMER DRAWING			REV B1
4 PLC ± -					
ANGLES ± -					