

MINI UNIVERSAL M-N-L SOCKET LP ✓ ACTIVE

MATE-N-LOK | Mini-Universal MATE-N-LOK

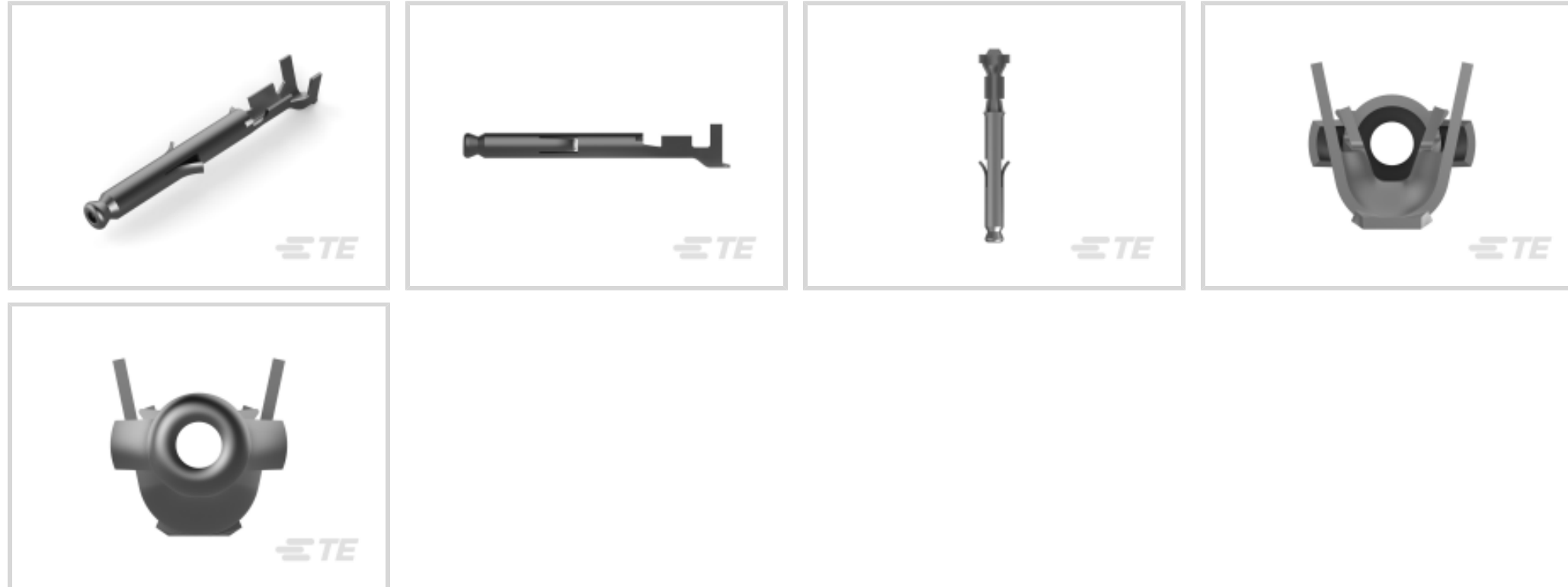
TE Part # 170365-1

TE Internal #: 170365-1

[View on TE.com >](#)



Connectors > Power Connectors > Power Contacts



Product Type: **Contact**

Operating Voltage: **600 VDC**

Wire Size: **.12 – .35 mm²**

Features

Product Type Features

Product Type	Contact
Connector System	Wire-to-Wire
Connector & Contact Terminates To	Wire & Cable

Electrical Characteristics

Operating Voltage	600 VDC
-------------------	---------

Contact Features

Contact Current Rating (Max)	7 A
Contact Type	Socket
Contact Base Material	Brass
Contact Mating Area Plating Material	Pre-Tin
Contact Mating Area Plating Thickness	.8 μm[31.49 μin]
Contact Termination Area Plating Material	Pre-Tin
Contact Termination Area Plating Thickness	.8 μm[31.49 μin]
Wire Contact Termination Area Plating Material	Pre-Tin
Crimp Area Plating Thickness	.8 μm
Contact Angle	Straight
Barrel Type	Open Barrel

Termination Features

Termination Type	Crimp
------------------	-------

Mechanical Attachment

Connector Mounting Type	Cable Mount (Free-Hanging)
Contact Retention in Housing	With
Wire Insulation Support	Without

Dimensions

Wire Size	.12 – .35 mm ²
Mating Pin Diameter	1 mm [.039 in]
Accepts Wire Insulation Diameter Range	1.19 – 1.75 mm [.047 – .069 in]

Usage Conditions

Operating Temperature Range	-20 – 105 °C [-4 – 221 °F]
-----------------------------	----------------------------

Operation/Application

Circuit Application	Power
For Multiple Crimp	No

Industry Standards

CSA Rating	Certified
Glow Wire Rating	Standard Part - Not Glow Wire
VDE Tested	No
Agency/Standard	CSA, UL
CSA File Number	LR 7189
UL Rating	Recognized
UL File Number	E28476

Packaging Features

Packaging Method	Bag
Packaging Quantity	300

Other

Wire/Cable Type	Discrete Wire
Wire Type	Stranded
For Use With	Cap and Plug Housing



Product Compliance

[For compliance documentation, visit the product page on TE.com>](#)

EU RoHS Directive 2011/65/EU	Compliant
EU ELV Directive 2000/53/EC	Compliant
China RoHS 2 Directive MIIT Order No 32, 2016	No Restricted Materials Above Threshold
EU REACH Regulation (EC) No. 1907/2006	欧洲化学品管理局最新发布的SvHCs候选清单: 2019年1月 (197) SvHCs候选清单的声明更新至: 2019年1月 (197)
Halogen Content	Low Halogen - Br, Cl, F, I < 900 ppm per homogenous material. Also BFR/CFR/PVC Free
Solder Process Capability	Not applicable for solder process capability

Product Compliance Disclaimer

This information is provided based on reasonable inquiry of our suppliers and represents our current actual knowledge based on the information they provided. This information is subject to change. The part numbers that TE has identified as EU RoHS compliant have a maximum concentration of 0.1% by weight in homogenous materials for lead, hexavalent chromium, mercury, PBB, PBDE, DBP, BBP, DEHP, DIBP, and 0.01% for cadmium, or qualify for an exemption to these limits as defined in the Annexes of Directive 2011/65/EU (RoHS2). Finished electrical and electronic equipment products will be CE marked as required by Directive 2011/65/EU. Components may not be CE marked. Additionally, the part numbers that TE has identified as EU ELV compliant have a maximum concentration of 0.1% by weight in homogenous materials for lead, hexavalent chromium, and mercury, and 0.01% for cadmium, or qualify for an exemption to these limits as defined in the Annexes of Directive 2000/53/EC (ELV). Regarding the REACH Regulations, TE's information on SVHC in articles for this part number is still based on the European Chemical Agency (ECHA) 'Guidance on requirements for substances in articles' (Version: 2, April 2011), applying the 0.1% weight on weight concentration threshold at the finished product level. TE is aware of the European Court of Justice ruling of September 10th, 2015 also known as O5A (Once An Article Always An Article) stating that, in case of 'complex object', the threshold for a SVHC must be applied to both the product as a whole and simultaneously to each of the articles forming part of its composition. TE has evaluated this ruling based on the new ECHA "Guidance on requirements for substances in articles" (June 2017, version 4.0) and will be updating its statements accordingly.

Compatible Parts



Insertion & Extraction Tools (2)



Portable Crimp Tools(3)

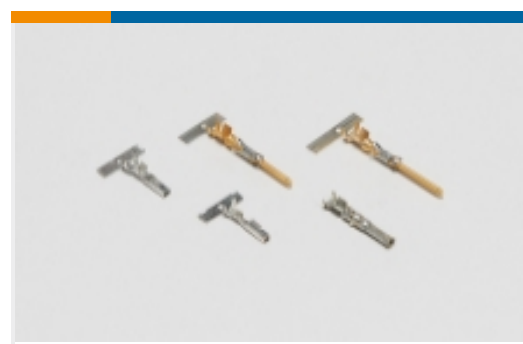


Rectangular Power Connectors(116)

Also in the Series | [Mini-Universal MATE-N-LOK](#)



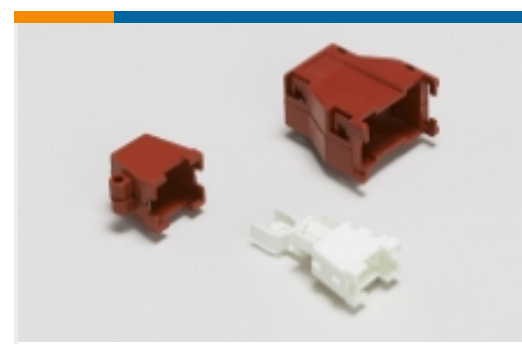
Connector Contacts(11)



Power Contacts(85)



Rectangular Backshells & Clamps(2)



Rectangular Boots & Strain Relief(2)



Rectangular Connector Keying Plugs(2)



Rectangular Connector Seals(18)

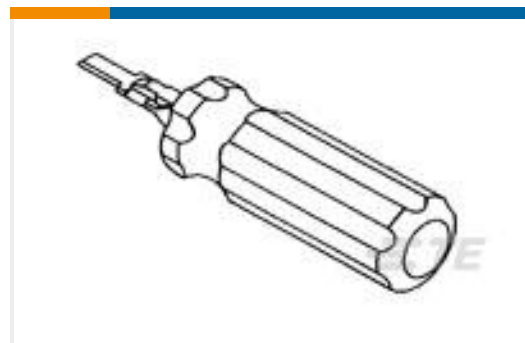


Rectangular Power Connectors(290)



Wire-to-Board Headers & Receptacles(1)

Customers Also Bought



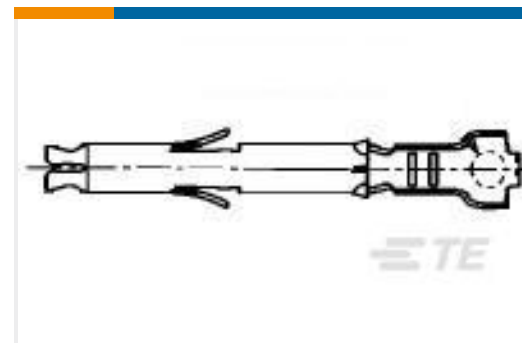
TE Part #189727-1
EXTRACTION TOOL



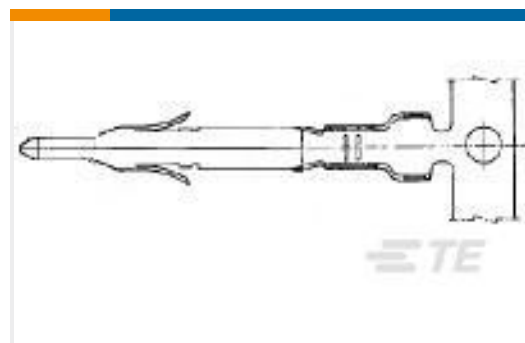
TE Part #175218-2
DYNAMIC REC CONTACT L L/P



TE Part #170364-1
MINI UNIVERSAL M-N-L PIN LP



TE Part #170366-1
MINI UNIVERSAL M-N-L SOCKET LP



TE Part #170363-1
MINI UNIVERSAL M-N-L PIN LP



TE Part #1-178288-3
DYNAMIC 3100 REC HSG 3P (SGL)



TE Part #1318107-1
DYNAMIC D-2000 REC CONT M L/P



TE Part #172159-1
4 CIR UNIV M-N-L CAP



TE Part #172167-1
4 CIR UNIV M-N-L PLUG



TE Part #172160-1
6 CIR UNIV M-N-L CAP

Documents



Product Drawings

MINI UNIVERSAL M-N-L SOCKET LP

English

CAD Files

3D PDF

3D

Customer View Model

[ENG_CVM_CVM_170365-1_1_c-170365-1-1.2d_dxf.zip](#)

English

Customer View Model

[ENG_CVM_CVM_170365-1_1_c-170365-1-1.3d_igs.zip](#)

English

Customer View Model

[ENG_CVM_CVM_170365-1_1_c-170365-1-1.3d_stp.zip](#)

English

Product Specifications

Crimping of Mini-Universal MATE-N-LOK Contact

Japanese

Application Specification

Japanese

Product Environmental Compliance

TE Material Declaration

English

Agency Approvals

Agency Approval Document

English