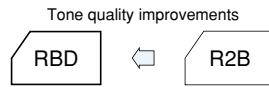


Miniature Bipolar Capacitors for Audio

GREEN CAP For audio

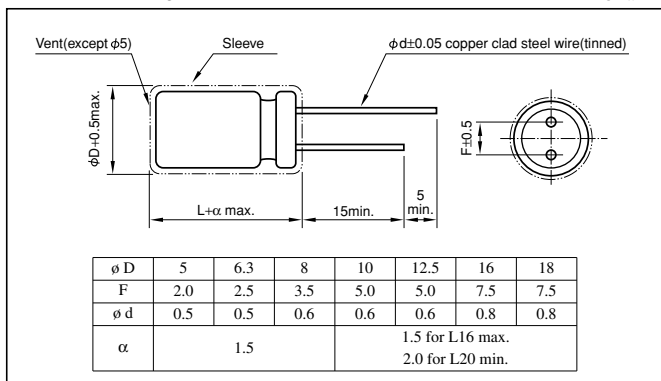
- The newly developed audio use foil and special electrolyte makes clear and far-carrying sound a reality.
- All lead wires are copper clad steel.



Specifications

Item	Performance								
Category temperature range (°C)	-40 to +85								
Tolerance at rated capacitance (%)	±20 (20°C, 120Hz)								
Leakage current (µA)	Less than 0.01CV or 4 whichever is larger (after 2 minutes) C: Rated capacitance(µF); V: Rated voltage(V) (20°C)								
Tangent of loss angle (tanδ)	Rated voltage (V)	6.3	10	16	25	35	50	63	100
	tanδ (max.)	0.24	0.20	0.16	0.15	0.14	0.12	0.10	0.09
0.02 is added to every 1000µF increase over 1000µF. (20°C, 120Hz)									
Characteristics at high and low temperature	Rated voltage (V)	6.3	10	16	25	35	50	63	100
	Impedance ratio (max.)	Z-25°C / Z+20°C	4	3	2	2	2	2	2
0.5 for -25°C, 1 for -40°C are added to every 1000µF increase over 1000µF. (120Hz)									
Endurance (85°C) (Applied ripple current)	Test time	250h x 8							
	Leakage current	The initial specified value or less							
	Percentage of capacitance change	Within ±20% of initial value							
	Tangent of the loss angle	150% or less of the initial specified value							
Applicable standards	JIS C5101-1, -4 1998 (IEC 60384-1 1992, -4 1985)								

Outline Drawing



Coefficient of Frequency for Rated Ripple Current

Rated voltage(V)	Frequency(Hz)			
	50 · 60	120	1k	10k · 100k
6.3 to 16	0.8	1	1.1	1.2
25 to 35	0.8	1	1.5	1.7
50 to 100	0.8	1	1.6	1.9

Part numbering system (example: 10V100µF)

RBD	—	10	V	102	M	15	□	#
Series code		Rated voltage symbol		Rated capacitance symbol	Capacitance tolerance symbol	Casing symbol	Additional symbol	

Case symbol

Case	Casing Symbol	Case	Casing Symbol	Case	Casing Symbol	Case	Casing Symbol
φ DxL(mm)		φ DxL(mm)		φ DxL(mm)		φ DxL(mm)	
5x11	E3	10x12.5	H3	12.5x20	I5	16x31.5	J7
6.3x11	F3	10x16	H4	12.5x25	I6	16x35.5	J8
8x11.5	G3	10x20	H5	16x25	J6	18x35.5	K8
						18x40	K9

Standard Ratings

Rated capacitance(µF)	6.3		10		16		25		35		50		63		100	
	Case	Rated ripple current	Case	Rated ripple current	Case	Rated ripple current	Case	Rated ripple current	Case	Rated ripple current	Case	Rated ripple current	Case	Rated ripple current	Case	Rated ripple current
Item	φ DxL(mm)	mArms	φ DxL(mm)	mArms	φ DxL(mm)	mArms	φ DxL(mm)	mArms	φ DxL(mm)	mArms	φ DxL(mm)	mArms	φ DxL(mm)	mArms	φ DxL(mm)	mArms
0.1	—	—	—	—	—	—	—	—	—	—	5x11	4	—	—	5x11	5
0.22	—	—	—	—	—	—	—	—	—	—	5x11	7	—	—	5x11	8
0.33	—	—	—	—	—	—	—	—	—	—	5x11	8	—	—	5x11	9
0.47	—	—	—	—	—	—	—	—	—	—	5x11	10	—	—	5x11	11
1	—	—	—	—	—	—	—	—	—	—	5x11	14	—	—	5x11	16
2.2	—	—	—	—	—	—	—	—	—	—	5x11	21	5x11	23	5x11	24
3.3	—	—	—	—	—	—	—	—	—	—	5x11	26	5x11	28	6.3x11	34
4.7	—	—	—	—	—	—	5x11	28	5x11	28	5x11	31	5x11	34	6.3x11	41
10	—	—	—	—	5x11	39	5x11	40	5x11	42	5x11	45	6.3x11	57	8x11.5	70
22	—	—	5x11	52	5x11	58	5x11	60	6.3x11	71	6.3x11	77	8x11.5	89	10x16	136
33	5x11	58	5x11	63	5x11	71	6.3x11	84	6.3x11	87	8x11.5	111	10x12.5	144	10x20	181
47	5x11	69	5x11	75	6.3x11	97	6.3x11	100	8x11.5	122	10x12.5	157	10x16	188	12.5x20	248
100	6.3x11	115	6.3x11	126	8x11.5	167	10x12.5	204	10x12.5	212	10x20	273	12.5x20	343	16x25	458
220	8x11.5	202	8x11.5	221	10x12.5	294	10x16	332	10x20	375	12.5x25	506	16x25	645	18x35.5	837
330	8x11.5	247	10x12.5	322	10x16	394	10x20	444	12.5x20	526	12.5x25	620	—	—	—	—
470	10x12.5	350	10x16	420	10x20	513	12.5x20	607	12.5x25	685	16x25	861	—	—	—	—
1000	10x20	611	12.5x20	767	12.5x25	935	16x25	1120	16x31.5	1270	—	—	—	—	—	—
2200	12.5x25	1090	16x25	1380	16x31.5	1660	—	—	—	—	—	—	—	—	—	—
3300	16x25	1490	16x31.5	1760	—	—	—	—	—	—	—	—	—	—	—	—
4700	16x31.5	1880	18x35.5	2280	—	—	—	—	—	—	—	—	—	—	—	—

(Note) Rated ripple current : 85°C, 120Hz

Mouser Electronics

Authorized Distributor

Click to View Pricing, Inventory, Delivery & Lifecycle Information:

Elna:

[RBD-50V101MH5#](#) [RBD-50V470MH3#](#) [RCRBD101M1UF20300T](#)