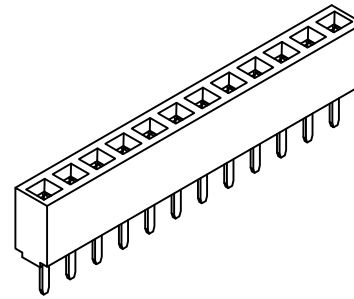
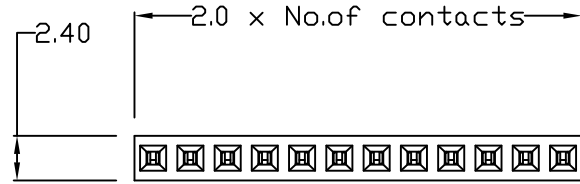


Description: 2mm Single Row Receptacle

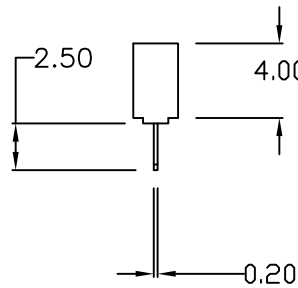
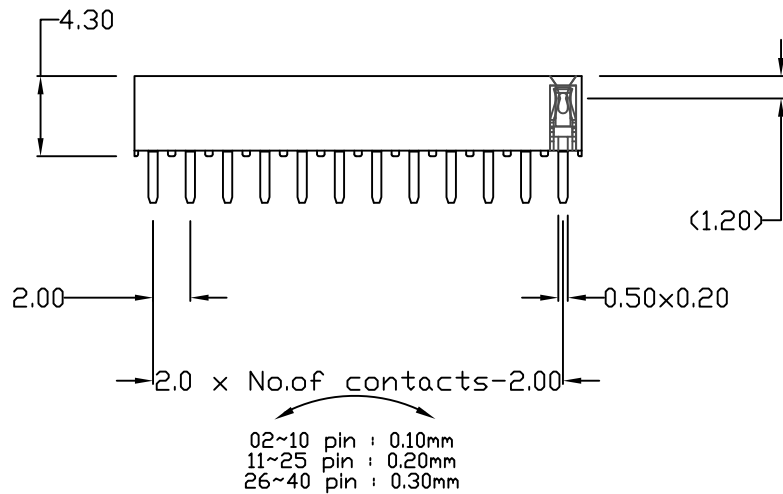


Material:

Insulator: Nylon-6T, Black, UL 94V-0
 Process Temperature: 260°C for 10 seconds
 Contact: Phosphor Bronze

Electrical:

Current Rating: 2 Amps
 Contact Resistance: 20 mOhms Max.
 Insulation Resistance: 5000 MOhms Min.
 Working Voltage: 250V
 Temperature: -40° C TO +105° C



2 5 6 3 Y Y 0 1 R P 2

Series

2563 = Single Row

Position

Single - Increments of 1
 (02 to 40)

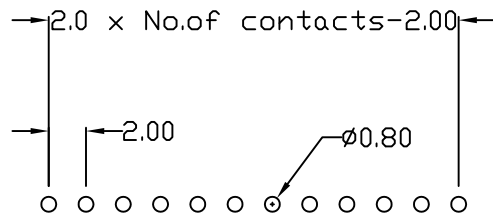
Type

01 = Straight

Plating Options

P2 = Gold Flash

Recommended P.C. Board
 Hole Layout



Units = mm

Tolerance
 .X ±0.3
 .XX ±0.20
 .XXX ±0.100

| | | | | |
|---------------------|---|--|-----------------------|-----------------------|
| | THESE DRAWINGS AND SPECIFICATIONS ARE THE PROPERTY OF NorComp AND SHALL NOT BE REPRODUCED, COPIED OR USED AS THE BASIS FOR THE MANUFACTURE OF SALE OF APPARATUS WITHOUT WRITTEN PERMISSION. | | DRAWN: PAM JENKINS | DATE: 1-30-06 |
| | NorComp | | SCALE: NTS | SHEET 1 OF 1 REV 3 |
| DWG NO. 2563YY01RP2 | | | | |

Mouser Electronics

Authorized Distributor

Click to View Pricing, Inventory, Delivery & Lifecycle Information:

NorComp:

[25630201RP2](#) [25630301RP2](#) [25630401RP2](#) [25630601RP2](#) [25630701RP2](#) [25630901RP2](#) [25631001RP2](#)
[25631101RP2](#) [25631201RP2](#) [25631401RP2](#) [25631501RP2](#) [25632001RP2](#) [25632801RP2](#) [25633601RP2](#)
[25630501RP2](#) [25630801RP2](#)