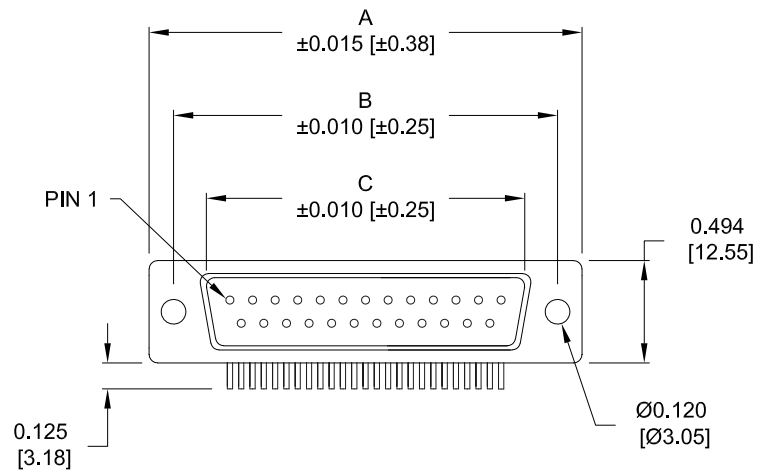
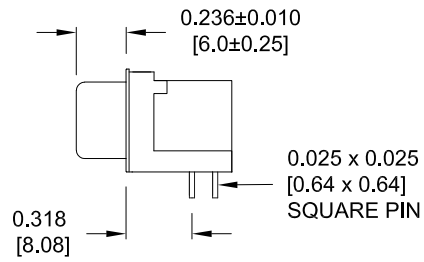


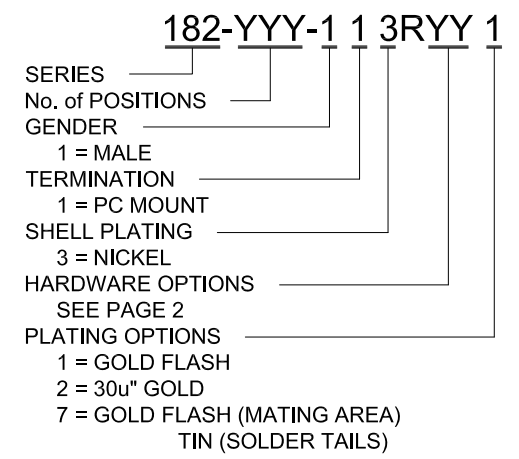
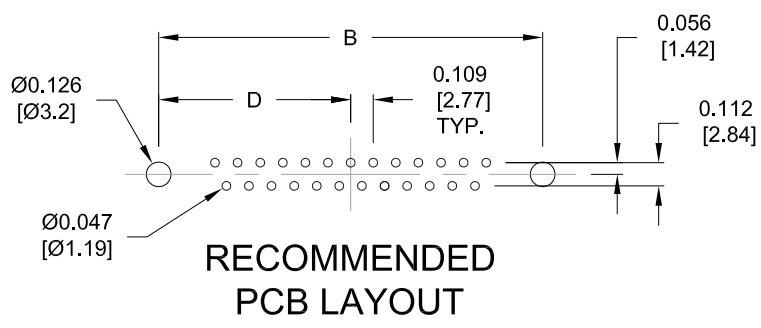
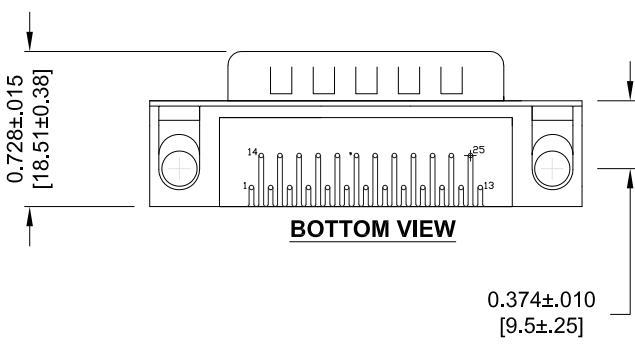
DESCRIPTION: R/A - 0.318 - MALE - ECONOMY - D SUB



25-PIN SHOWN



No. OF PINS	DIMENSIONS			
	A	B	C	D
009	1.213	0.984	0.666	0.492
	30.80	24.99	16.92	12.50
015	1.541	1.312	0.994	0.656
	39.14	33.32	25.25	16.66
025	2.088	1.852	1.534	0.926
	53.04	47.04	38.96	23.52
037	2.729	2.500	2.181	1.250
	69.32	63.50	55.40	31.75



**MATERIAL:**

- SHELL: SPCC, NICKEL PLATED
- INSULATOR: UL 94V-O RATED, BLACK, 260° PA9T
- CONTACT: BRASS, GOLD PLATED
- RIVET: COPPER ALLOY, NICKEL PLATED
- SCREWLOCK: ZINC ALLOY, NICKEL PLATED
- BOARDLOCK: SPCC, TIN PLATED

**ELECTRICAL:**

- CURRENT RATING: 5 AMPS
- DIELECTRIC STRENGTH: 1,000VAC rms
- INSULATION RESISTANCE: 1,000 MOHMS MIN
- CONTACT RESISTANCE: 15 mOHM MAX
- TEMPERATURE: -55°C TO +105°C

GENERAL TOLERANCES  
±0.006 [0.15]  
HOLE : ±0.005 [0.13]

DO NOT SCALE FROM DRAWING

RoHS COMPLIANT

	THESE DRAWINGS AND SPECIFICATIONS ARE THE PROPERTY OF NorComp AND SHALL NOT BE REPRODUCED, COPIED OR USED AS THE BASIS FOR THE MANUFACTURE OF SALE OF APPARATUS WITHOUT WRITTEN PERMISSION.		DRAWN: <b>PAM JENKINS</b>	DATE: <b>03-17-05</b>
			SCALE: NTS	SHEET OF 1 2
DWG NO. <b>182-YYY-113RYY1</b>				

DESCRIPTION: R/A - 0.318 - MALE - ECONOMY - D SUB

	<p>0.141 ± 0.020</p> <p>METAL SHELL WITH INSIDE GROUND STRAPS</p>	<p>METAL SHELL</p>	<p>METAL SHELL FORK BOARD LOCKS</p>
<p>.120" DIA. HOLE</p>	16	43	55
<p>4-40 FLUSH INSERT</p>	17	45	53 BOARD LOCKS IN HOLE
<p>4-40 HEX STANDOFF FEMALE SCREWLOCK</p>	18	48	56 BOARD LOCKS IN HOLE
<p>4-40 ROUND STANDOFF FEMALE SCREWLOCK</p>	N/A	N/A	N/A

HEX SCREW REFERENCE DIMENSIONS:  
4.8mm HEAD  
6.9mm THREAD LENGTH

DO NOT SCALE FROM DRAWING

	THESE DRAWINGS AND SPECIFICATIONS ARE THE PROPERTY OF NorComp AND SHALL NOT BE REPRODUCED, COPIED OR USED AS THE BASIS FOR THE MANUFACTURE OF SALE OF APPARATUS WITHOUT WRITTEN PERMISSION.	DRAWN: PAM JENKINS	DATE: 03-17-05
		SCALE: NTS	SHEET OF 2 2
<h1>NorComp</h1>		DWG NO. 182-YYY-113RYY1	

RoHS COMPLIANT

# Mouser Electronics

Authorized Distributor

Click to View Pricing, Inventory, Delivery & Lifecycle Information:

## NorComp:

[182-009-113R531](#) [182-015-113R531](#) [182-009-113R161](#) [182-009-113R171](#) [182-009-113R181](#) [182-015-113R161](#)  
[182-015-113R171](#) [182-015-113R181](#) [182-025-113R161](#) [182-025-113R171](#) [182-025-113R181](#) [182-037-113R161](#)  
[182-037-113R171](#) [182-037-113R181](#) [182-037-113R531](#) [182-025-113R531](#) [182-015-113R561](#) [182-009-113R561](#)  
[182-025-113R561](#) [182-037-113R561](#) [182-037-212-531](#) [182-015-212-531](#) [182-025-112-531](#) [182-025-212-531](#) [182-](#)  
[009-212-181](#) [182-037-112-531](#) [182-015-212-171](#) [182-015-112-531](#) [182-009-212-531](#) [182-009-112-531](#)