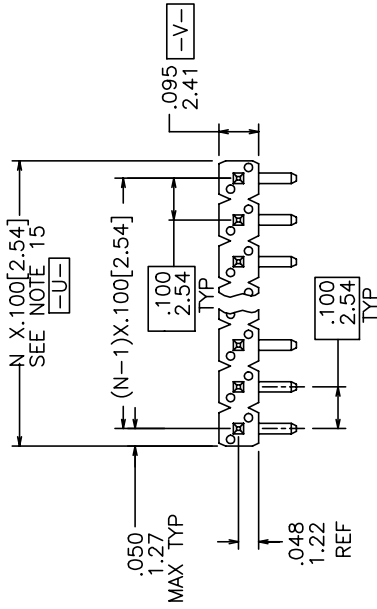
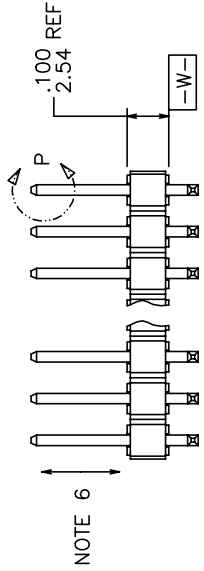


PRODUCT NUMBER
XXXX-XXX HTLF

- LEAD FREE OPTION
SEE NOTE 1,8
- TUBE PACKAGING OPTION
SEE NOTE 1
- HIGH TEMPERATURE PLASTIC
SEE NOTE 1
- NO OF POSITIONS
SEE NOTE 1
- PIN PLATING
SEE SHEET 2
- BASE PART NO.



TOP VIEW



SIDE VIEW

68015-X XX-XXX XXX LF

TAIL LENGTH (EXAMPLE BELOW)
3.0mm=030 12.8mm=128 (SEE NOTE 11 & 12)

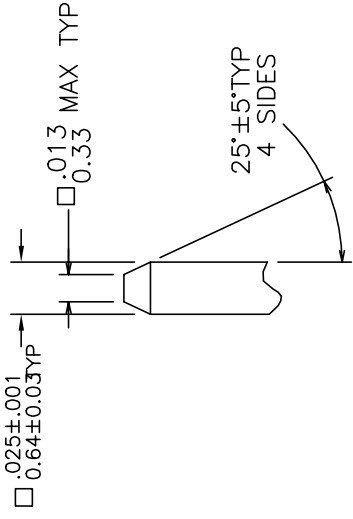
MATING LENGTH (EXAMPLE BELOW)
5.0mm=050 25.5mm=255 (SEE NOTE 11 & 12)

TOTAL NUMBER OF POSITION
FROM 1 THRU 36 POS. (SEE NOTE 1)

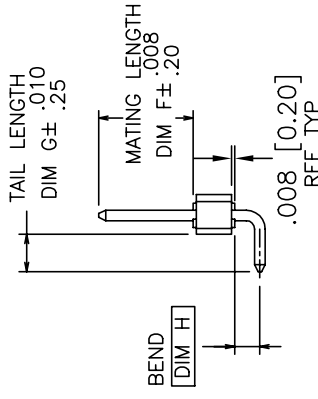
PIN PLATING (SEE NOTE 13)
1=0.76µm Au
4= PURE TIN
8=0.36µm Au

BASE PART NO.
SINGLE ROW RIGHT ANGLE

⊕ φ.020/0.51 (M) U (M) V (S) W
NOTE 4



DETAIL P
TYP BOTH ENDS



END VIEW

mat'l. code	surface	tolerance	projection	product family
SEE NOTES 2 & 3	ISO 1302	ISO 406	ASME Y14.5	BERGSTIK
tr/electn n°/dr	date	tolerances unless otherwise specified	title	
BB BX-N-16105 ZK	10/22/13	XX±.01/XX.03	BERGSTIK® II HEADER	
BC BX-N-16356 ZK	11/25/13	XX±.01/XX.03	.100/2.54cc SR R/A	
		angles	scale 2:1	
		0°±2'		
AV IM08-0169 MHT	6/16/08	br T.BREWBAKER	01/31/95	sheet 1 of 4
AW IM08-0267 MHT	9/25/08	chr T.HANNA	01/31/95	68015
AX IM08-0331 MHT	12/01/08	chr T.HANNA	01/31/95	A3
BA IM11-0118 JZ	04/11/11	lapped T.HANNA	01/31/95	
sheet	revisior	BC BC BC		Product Customer Drawing
index	sheet	1 2 3 4		



PIN PLATING CODES:

XXXX-1YY	30u"/0.76u MIN (SEE NOTE 9) OVER 50u"/1.27u MIN Ni
XXXX-2YY	15u"/0.38u MIN (SEE NOTE 9) OVER 50u"/1.27u MIN Ni
XXXX-3YY	50u"/1.27u MIN (SEE NOTE 9) OVER 50u"/1.27u MIN Ni
XXXX-4YY	100u"/2.54u MIN Sn OVER 50u"/1.27u MIN Ni (SEE NOTE 10)
XXXX-4YHFLF	
XXXX-5YY	15u"/0.38u MIN (SEE NOTE 9) OVER 50u"/1.27u MIN Ni
XXXX-6YY	30u"/0.76u MIN (SEE NOTE 9) OVER 50u"/1.27u MIN Ni
XXXX-7YY	30u"/0.76u MIN (SEE NOTE 9) OVER 50u"/1.27u MIN Ni
XXXX-8YY	15u"/0.38u MIN (SEE NOTE 9) OVER 50u"/1.27u MIN Ni
XXXX-9YY	15u"/0.38u MIN (SEE NOTE 9) OVER 50u"/1.27u MIN Ni
XXXX-0YY	30u"/0.76u MIN (SEE NOTE 9) OVER 50u"/1.27u MIN Ni

NOTES

- ①. PART NUMBER OPTIONS:
- PIN PLATING CODES (SEE ABOVE)
- HIGH TEMP. MATERIAL:
PART NUMBERS WITH AND WITHOUT "H" WILL BE SUPPLIED WITH HIGH TEMPERATURE PLASTIC.
- NUMBER OF POSITION:
ANY NUMBER OF POSITIONS FROM 1 THRU 36.
- PACKAGING:
PACKAGED IN POLY BAGS.
EIGHT DIGIT PART NUMBERS FOLLOWED BY A "T" ARE PACKAGED IN TUBES. SEE SPECIFIC PART NUMBERS FOR AVAILABILITY.
- LEAD FREE:
ADD "HLF" SUFFIX AT THE END OF PART NUMBER FOR LEAD FREE OPTION, NOT AVAILABLE FOR -5YY, -5YYH, -6YY & -6YYH.

- ②. BODY MATERIAL:
MANUFACTURER'S OPTION OF NYLON OR PCT, GLASS FIBER REINFORCED, OR LCP MINERAL FILED FLAME RETARDANT PER UL-94V-0. COLOR: BLACK.
- PART NUMBERS WITH AND WITHOUT "H" SUFFIX WILL WITHSTAND EXPOSURE TO 260°C PEAK TEMPERATURE FOR 20 SECONDS IN WAVE SOLDER, INFRA-RED OR VAPOR PHASE SOLDER PROCESS.

- ③. PIN MATERIAL: PHOS-BRONZE.
- ④. MEASURED WITH PART IN RESTRAINED CONDITION.
- 5. TWO SIDES OF PIN TIPS NOT PLATED. TYPICAL BOTH ENDS.
- ⑥. 2LBS/0.9KG MIN PIN RETENTION IN EITHER DIRECTION.

7. MILITARY BERGSTIK HEADER
P/N XXXXX-YYY-MIL
NOT AVAILABLE.

- ⑧. THESE PRODUCTS MEETS EUROPEAN UNION DIRECTIVES AND OTHER COUNTRY REGULATION AS DESCRIBED IN GS-22-008.
- ⑨. PLATING OPTIONS:
PERFORMANCE PLATING WILL BE EITHER GOLD OR GXT ON POST OR TAIL, OPTIONALLY (78~295u"/2~7.5u) TIN ON TAIL.

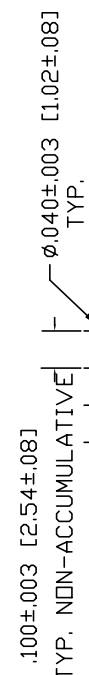
- ⑩. THIS PRODUCT HAS 100% TIN PLATING IN THE INTERFACE AND HAS NOT BEEN TESTED FOR WHISKER GROWTH IN ALL INTERCONNECT ENVIRONMENTS.
- ⑪. THE DAL DONJT EXCEED 31mm
DAL= MATTING DIM+4.0mm<31mm WHERE THE SUM OF TAIL AND MATTING LENGTH DON'T EXCEED 27mm

- ⑫. INCREMENTS BY 0.1mm IN LENGTHS ONLY

- ⑬. FOR SPECIAL PACKAGING REQUEST PLEASE CONTACT PRODUCT MANAGER FOR AVAILABILITY

14. BEND DIMENSIONS AT 1.5mm ONLY

- ⑮. TO DETERMINE DIMENSIONS:
N=NUMBER OF POSITION PER ROW
EXAMPLE: 10 POS. N X .100/2.54



RECOMMENDED HOLE PATTERN

mat'l. code	surface / tolerance	projection	product family
SEE NOTES 2 & 3	ISO 1302 / ISO 406 / ISO 1101	1st angle	BERGSTIK
tr/electn n°/dr	tolerances unless otherwise specified	angles	title
BC	linear	0°±2'	BERGSTIK® II HEADER
		dr	.100/2.54cc SR R/A
		engr	dwg no 68015 sheet 2 of 4 size A3
		chr	Product Customer Drawing
		appd	
sheet index	revision		

PRODUCT NUMBER	MATING LENGTH		TAIL LENGTH		BEND DIM		PACKAGING	LF OPTION
	DIM F	METRIC	DIM G	METRIC	DIM H	METRIC		
68015-XY	0.230	5.84	0.090	2.29	0.060	1.52	POLY BAGS/TUBES	NOTE 1,8
68016-XY	0.230	5.84	0.120	3.05	0.060	1.52	POLY BAGS/TUBES	
68023-XY	0.135	3.43	0.305	7.75	0.135	3.43	POLY BAGS	
68417-XY	0.230	5.84	0.390	9.91	0.060	1.52	POLY BAGS	
68423-XY	0.318	8.08	0.120	3.05	0.060	1.52	POLY BAGS/TUBES	
68458-XY	0.318	8.08	0.110	2.79	0.060	1.52	POLY BAGS	
68461-XY	0.400	10.16	0.320	8.13	0.260	6.60	POLY BAGS	
68468-XY	0.230	5.84	0.195	4.95	0.160	4.06	POLY BAGS	
68488-XY	0.230	5.84	0.180	4.57	0.060	1.52	POLY BAGS	
68494-XY	0.400	10.16	0.110	2.79	0.060	1.52	POLY BAGS	
68498-XY	0.230	5.84	0.220	5.59	0.160	4.06	POLY BAGS	
68626-XY	0.230	5.84	0.295	7.49	0.060	1.52	POLY BAGS	
68627-XY	0.120	3.05	0.185	4.70	0.150	3.81	POLY BAGS	
68628-XY	0.230	5.84	0.590	14.99	0.060	1.52	POLY BAGS	
68641-XY	0.230	5.84	0.490	12.45	0.060	1.52	POLY BAGS	
68660-XY	0.110	2.79	0.230	5.84	0.135	3.43	POLY BAGS	
68694-XY	0.600	15.24	0.120	3.05	0.060	1.52	POLY BAGS	
68757-XY	0.350	8.89	0.220	5.59	0.100	2.54	POLY BAGS	
68758-XY	0.275	6.99	0.120	3.05	0.060	1.52	POLY BAGS	
68764-XY	0.100	2.54	0.120	3.05	0.060	1.52	POLY BAGS	
68782-XY	0.318	8.08	0.180	4.57	0.060	1.52	POLY BAGS	
68798-XY	0.110	2.79	0.230	5.84	0.160	4.06	POLY BAGS	NOTE 1,8
69189-XY	0.310	7.87	0.250	6.35	0.060	1.52	POLY BAGS	
71270-XY	0.600	15.24	0.189	4.80	0.060	1.52	POLY BAGS	
72342-XY	0.120	3.05	0.250	6.35	0.060	1.52	POLY BAGS	
78230-XY	0.310	7.87	0.330	8.38	0.060	1.52	POLY BAGS	
78231-XY	0.310	7.87	0.290	7.37	0.060	1.52	POLY BAGS	

mat'l. code SEE NOTES 2 & 3
 surface ISD 1302 ✓
 tolerance ISO 406
 ISO 1101
 tolerances unless otherwise specified
 angles linear
 .0010/.001
 .0010/.001
 .0010/.001
 .0010/.001
 dr T.BREWBAKER 01/31/95
 engr T.HANNA 01/31/95
 chr T.HANNA 01/31/95
 appd T.HANNA 01/31/95
 sheet revision
 index sheet



PRODUCT NUMBER	MATING LENGTH		TAIL LENGTH		BEND DIM			LF OPTION
	DIM F	METRIC	DIM G	ENGLISH	DIM H	ENGLISH	METRIC	
78234-XY	0.230	5.84	0.140	3.56	0.160	4.06	POLY BAGS	OB
78541-XY	0.318	8.08	0.080	2.03	0.060	1.52	POLY BAGS	OB
78587-XY			UNAVAILABLE					
78938-XY	0.120	3.05	0.120	3.05	0.060	1.52	POLY BAGS	NOTE 1,8
78955-XY	0.075	1.91	0.090	2.29	0.060	1.52	POLY BAGS	OB
78978-XY	0.120	3.05	0.318	8.08	0.135	3.43	POLY BAGS	OB
79409-XY			UNAVAILABLE					
84846-XYH	0.140	3.56	0.290	7.37	0.153	3.89	POLY BAGS	OB
84917-XYH	0.090	2.29	0.195	4.95	0.190	4.83	POLY BAGS	OB
84935-XYH	0.450	11.43	0.320	8.13	0.260	6.60	POLY BAGS	OB
84936-XYH	0.350	8.89	0.120	3.05	0.060	1.52	POLY BAGS	OB
87532-XYH	0.230	5.84	0.890	22.61	0.060	1.52	POLY BAGS	OB
88813-XY	0.230	5.84	0.085	2.16	0.060	1.52	POLY BAGS	OB
92050-XY	0.162	4.11	0.120	3.05	0.060	1.52	POLY BAGS	OB
92632-XY	0.100	2.54	0.318	8.08	0.060	1.52	POLY BAGS	OB
92909-XY	0.400	10.16	0.220	5.59	0.060	1.52	POLY BAGS	OB
94099-XY	0.157	3.99	0.090	2.29	0.060	1.52	POLY BAGS	OB
94529-XYH	0.120	3.05	0.295	7.49	0.135	3.43	POLY BAGS	OB
94671-XYH	0.090	2.29	0.085	2.16	0.180	4.57	POLY BAGS	OB
95653-XYH	0.330	8.38	0.310	7.87	0.160	4.06	POLY BAGS	OB
95666-XYH	0.230	5.84	0.145	3.68	0.060	1.52	POLY BAGS	OB
10089061-XY	0.125	3.18	0.318	8.08	0.135	3.43	POLY BAGS	OB

mat'l. code	surface	tolerance	projection	product family
SEE NOTES 2 & 3	ISO 1302	ISO 406		BERGSTIK
ltr ecn no	dr date	tolerances unless otherwise specified	lines	title
BC		XXX.X/XXX.X XXX.X/XXX.X XXX.X/XXX.X	INCH/MM	BERGSTIK® II HEADER
	0 ±.2°	XXX.X/XXX.X XXX.X/XXX.X XXX.X/XXX.X	scale 2:1	.100/2.54cc SR R/A
	dr T.BREWBAKER	01/31/95		dwg no sheet 4 of 4 size
	engr T.HANNA	01/31/95		68015
	chr T.HANNA	01/31/95		Product Customer Drawing
sheet index	revision			
	sheet			