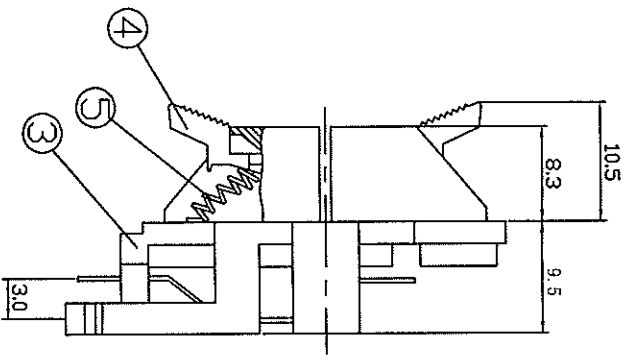


1:1.6 Dimensions of PC board holes
 Tolerance : ±0.1 (Printed-bottom view)



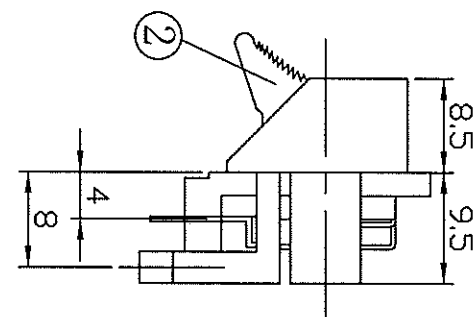
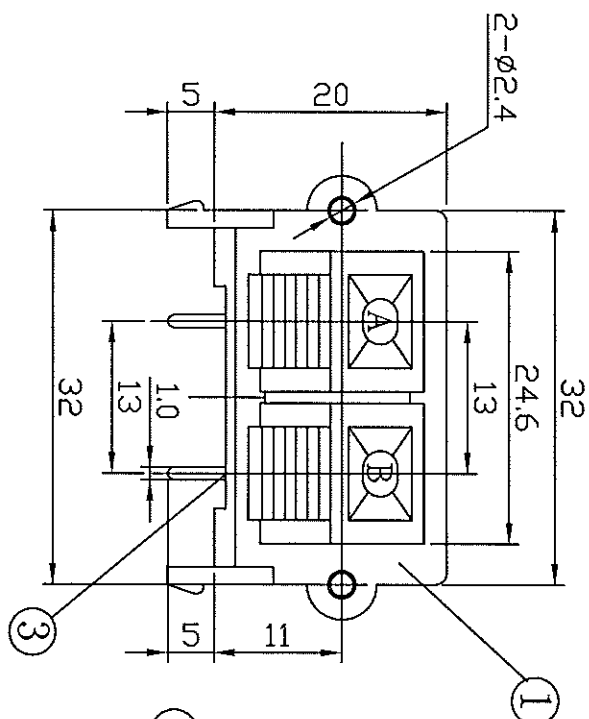
TYPE	RED	RED
	BLACK	BLACK
	A	B
	C	D
	COLOR	

LTR	PART NAME	QTY	MATERIAL	REMARK
5	SPRING	4	STEEL WIRE Ø0.5	
4	KNOB	4	ABS	
3	HOUSING	1	ABS	
2	TERMINAL	2	C2680 t=0.4	MB:Cu Cu/Sn PLATED
1	TERMINAL	2	C2680 t=0.4	MB:Cu Cu/Sn PLATED

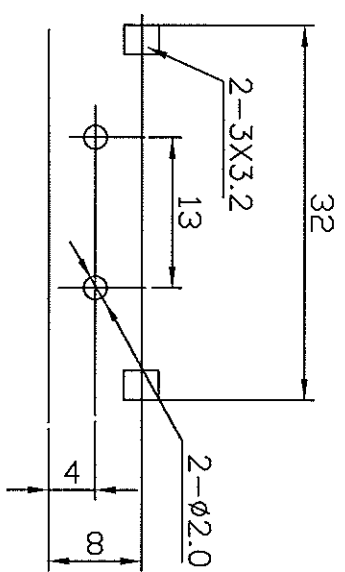
UNLESS OTHERWISE SPECIFIED TOLERANCE
 ±0.3
 UNIT: mm
 DRAWN NAME: 151-138V03-E

CHECKED
 APPROVED
 PUSH TERMINAL

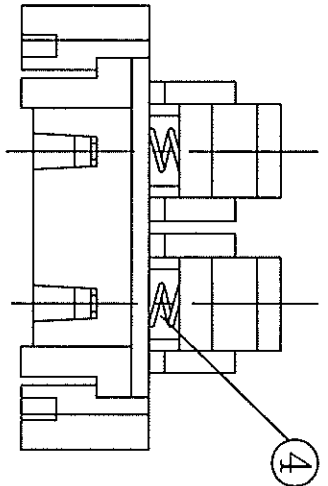
REV	DESCRIPTION	DATE	SIZE	REV	FILE NAME
1			A4	X1	



	BLACK	RED
COLOR	A	B



T:1.6 Dimensions of PC board holes
Tolerance : ±0.1(Printed-top view)



LTR	PART NAME	QTY	MATERIAL	REMARK
4	SPRING	2	SWC	D=Ø0.5
3	CONTACT	2	C7680	t=0.5 Cu/Sn PLATED
2	PUSH PLATE	2	ABS	
1	HOUSING	1	ABS	

UNLESS OTHERWISE SPECIFIED, TOLERANCE ON DECIMAL: ±0.3

UNLESS OTHERWISE SPECIFIED TOLERANCE
ANG. 0 .00
±.2
±0.20
±0.15
±0.10

151-102V04-E

PUSH TERMINAL

DATE: 01/22/2018

UNIT: MM

SCALE: A4

REV: X1

REV.	DESCRIPTION	DATE	SIZE	REV.
1			A4	X1
2				
3				
4				
5				
6				
7				
8				
9				
10				

Mouser Electronics

Authorized Distributor

Click to View Pricing, Inventory, Delivery & Lifecycle Information:

[Kobiconn:](#)

[151-102V04-E](#) [151-138V03-E](#)