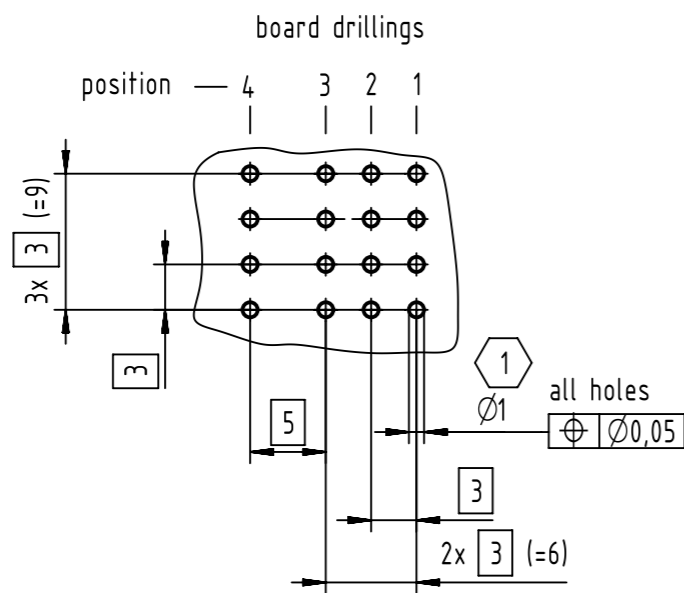
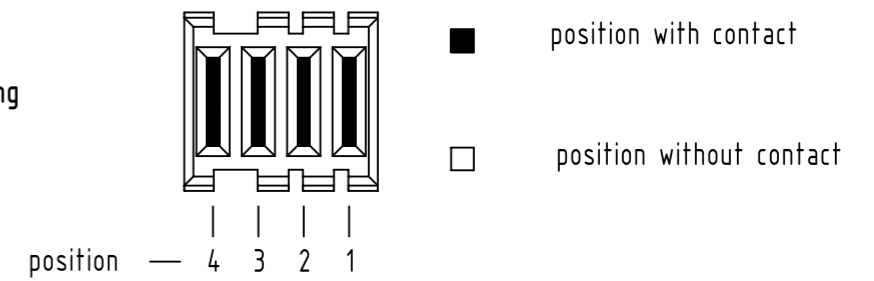


contact loading



1 further information see: DS 17662100101

| | | | | | | | |
|--|--|---|-----------------------|-------------------------|-----------------------------|--|------------------------|
| | All rights reserved Department EC PD - DE | All Dimensions in mm Original Size DIN A3 | | Scale 2:1 | Free size tol. | Ref. Sub. TB 17 66 004 2201 / Mod. 31705 / 04.03.2005 | |
| | | HARTING Electronics GmbH D-32339 Espelkamp | Created by STORCK | Inspected by LEHNERT | Standardisation HOFFMANN | Date 2017-10-26 | State Final Release |
| | | Title har-bus HM Power female connector 4-pole | | | | Rev. B | |
| | | Type TB | Number 17660042201 | | | Page 1/1 | |