



20W Interchangeable Wall Mount Adapter Series



Features

- DoE Level VI Compliance
- Ecodesign/ErP Lot 7 (EU) 2019/1782 Compliance
- CoC Version 5 Tier 2 Compliance
- AS/NZS4665.1-2005+A1:2009, AS/NZS4665.2-2005+A1:2009 Compliance
- Limited Power Source
- Class B EMI
- Class II Double Insulated
- Interchangeable Clips (sold separately)

Applications

- Wireless Communications
- Portable Equipment
- Peripherals
- Consumer Electronics

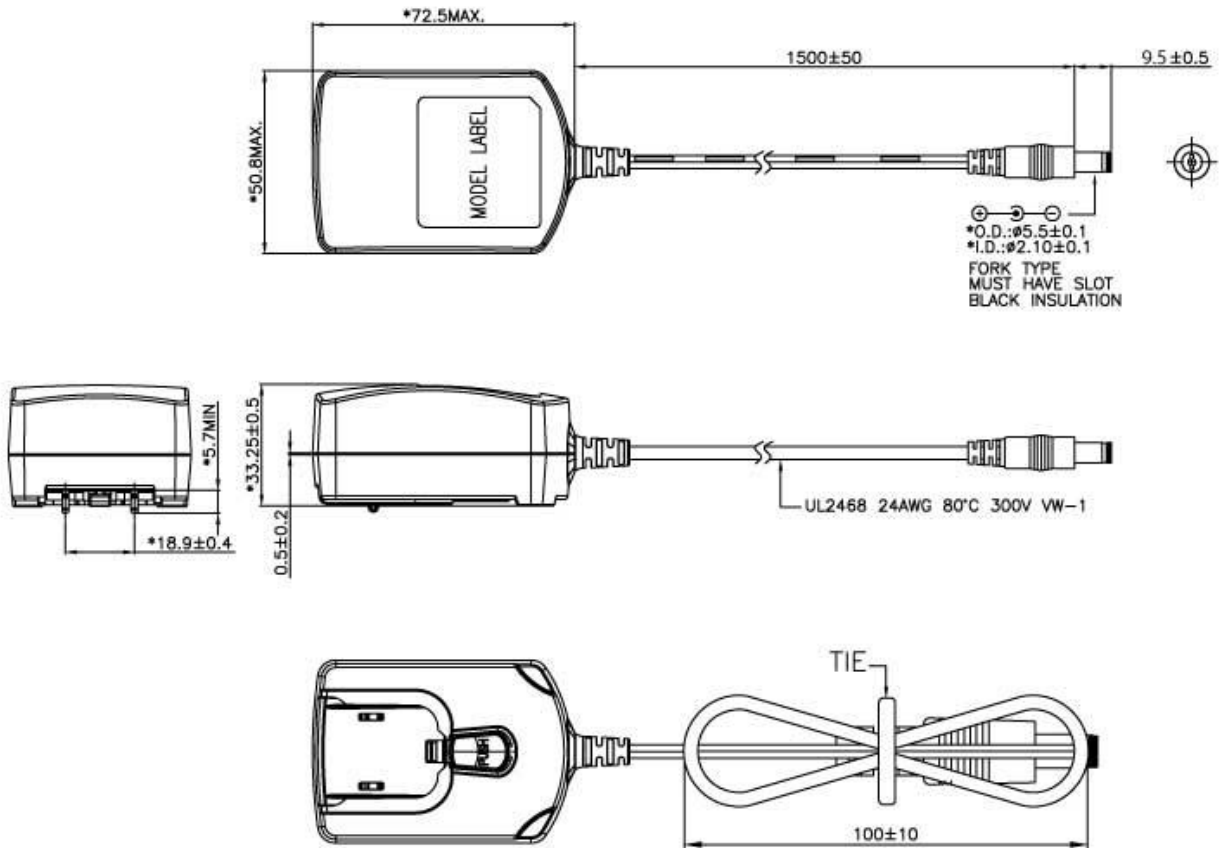


AA20R Series Specifications¹

Model		AA20R-120A-R	AA20R-240A-R	AA20R-480A-R
Output	DC Output Voltage	12.0V	24.0V	48.0V
	Max Current	1.67A	0.83A	0.42A
	Output Power	20.04W	19.92W	20.16W
	Regulation	± 5%	± 5%	± 5%
	Ripple & Noise P-P(max) ²	120mV	240mV	480mV
Input	AC Input Voltage Range	90 to 264VAC		
	AC Input Frequency	47 to 63Hz		
	Input Current	0.5A @ 120VAC; 0.25A @ 240VAC		
	Inrush Current	40A max., 120VAC; 80A max., 240VAC (Cold Start at ambient 25°C, full load)		
	No Load Power Consumption at 115VAC Input	0.042W	0.042W	0.038W
	No Load Power Consumption at 230VAC Input	0.063W	0.069W	0.058W
	115VAC Average Efficiency ³	86.51%	88.31%	88.09%
	230VAC Average Efficiency ³	86.61%	87.16%	86.78%
	230VAC 10% Load Efficiency ³	81.63%	79.05%	76.71%
	Leakage Current	<0.25mA		
Protection	Over-Voltage	<23Vpk	<35Vpk	<62Vpk
	Short Circuit	Output can be shorted without damage		
	Over-Current	Auto restart		
Environmental	Operating Temperature	0°C to +40°C		
	Non-Operating Temperature	-25° to +75°C		
	Operating Humidity	20 to +90%		
Safety Approvals and EMC	Dielectric Withstand (HI-POT)	Primary to Secondary: 3000VAC for 1min, 10mA		
	Insulation Resistance	Input to Output: 50M ohm min., 500VDC		
	Standards	cULus 62368-1, IEC 62368-1, AS/NZS 62368.1:2018		
	EMI Emissions	FCC Part 15 Class B, CAN ICES-003(B)/NMB-003(B), EN 55032/CISPR 32, AS/NZS CISPR 32:2015, Class B Conducted and Radiated		
	Harmonic Current Emissions	IEC 61000-3-2		
	Voltage Fluctuations & Flicker	IEC 61000-3-3		
	Immunity	EN 55024/CISPR 24: IEC 61000-4-2 (+/- 8kV air, +/-6kV contact), IEC 61000-4-3, IEC 61000-4-4, IEC 61000-4-5 (+/-1kV), IEC 61000-4-6, IEC 61000-4-8, IEC 61000-4-11		
Mechanical	Dimensions (L x W x H)	72.5mm (2.85in) x 50.8mm (2.00in) x 33.25mm (1.31in)		
	Weight	146g		
	Cable Length	1500mm		
	DC Cable Type	18 AWG	22 AWG	24 AWG
	DC Output Connector	2.1mm x 5.5mm x 10.0mm		
	DC Plug Pin Assignment	Inner (V+) / Outer GND (V-)		
Notes	<ol style="list-style-type: none"> The specifications defined are at ambient temperature of 25°C, unless otherwise specified. 20MHz bandwidth frequency oscilloscope, add a 0.1µF multilayer Cap. and Low ESR Electrolytic Cap. (10µF) at output connector terminals (nominal line voltage, full load). Efficiency is measured after 30 minutes burn-in. 			



AA20R Outline Drawing






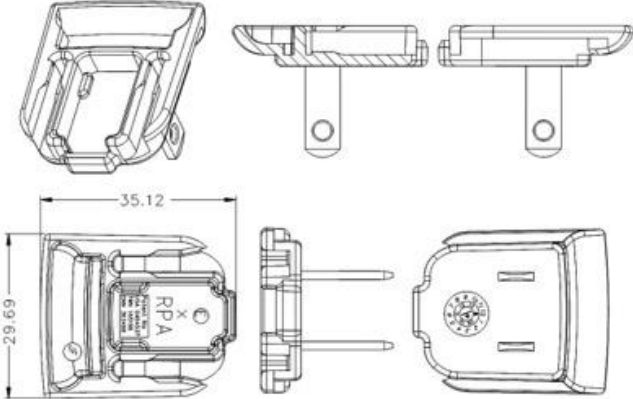

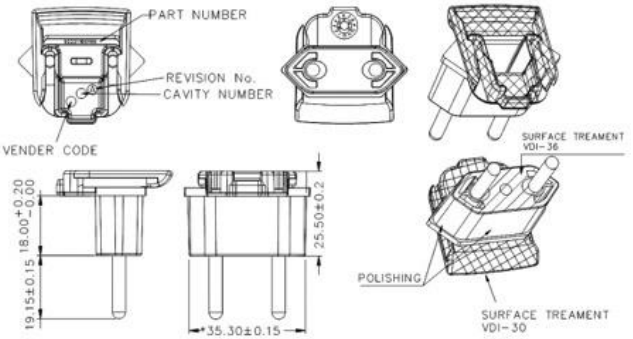
**Supplier's Declaration of Conformity
47 CFR § 2.1077 Compliance Information**


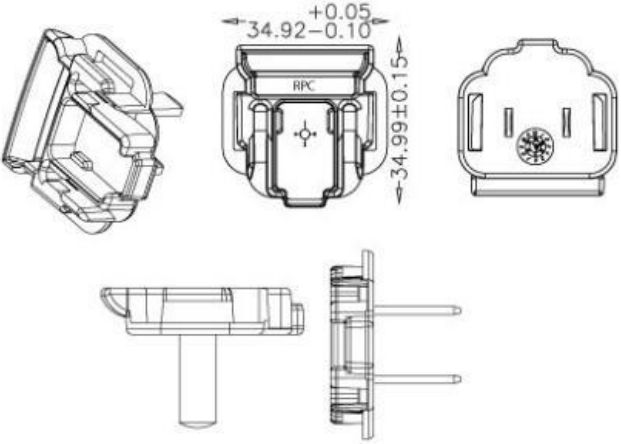

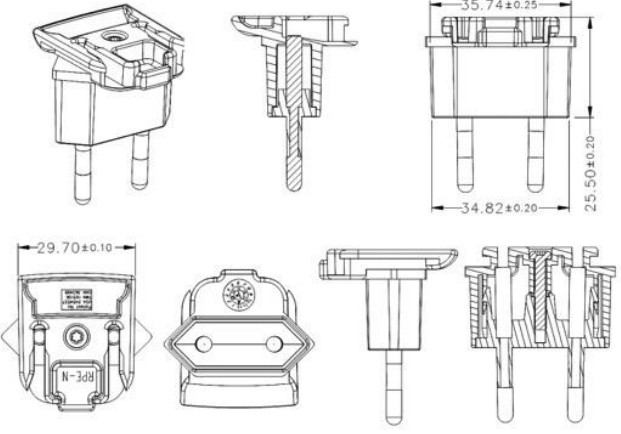

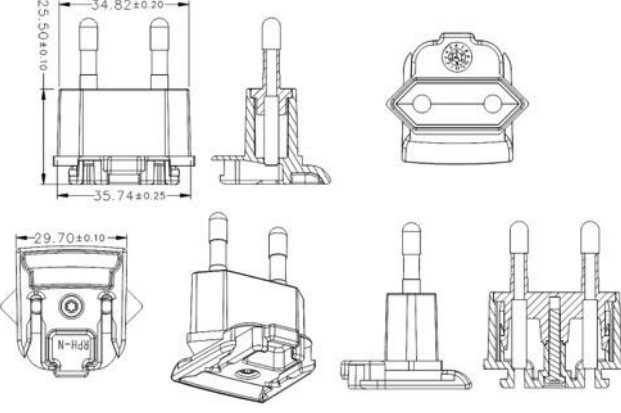
Phihong USA Corporation
47800 Fremont Boulevard
Fremont, CA 94538
Telephone: (510) 445-0100
www.phihong.com


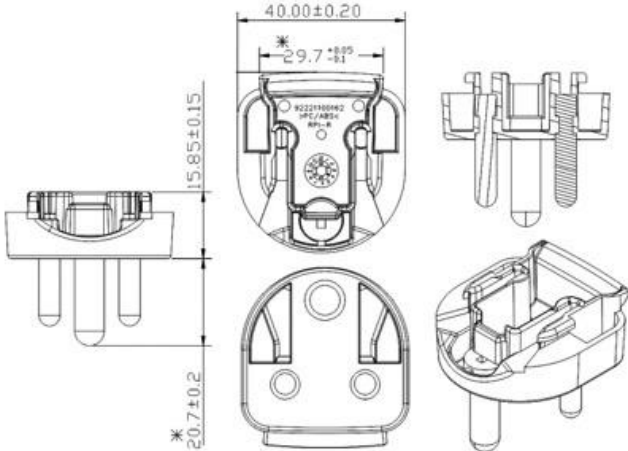

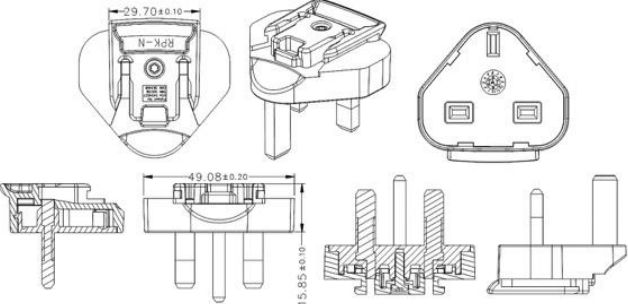

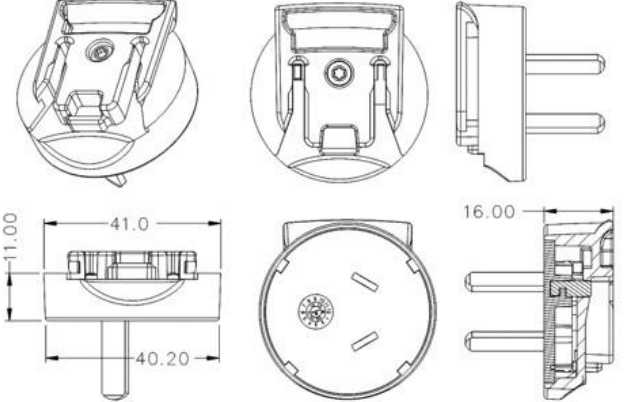
This device complies with/The devices in this product series comply with part 15 of the FCC Rules. Operation is subject to the following two conditions: (1) This device may not cause harmful interference, and (2) this device must accept any interference received, including interference that may cause undesired operation.

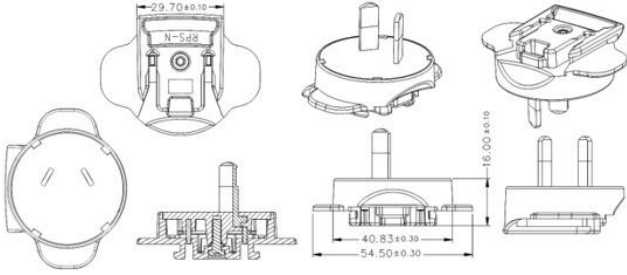



AC Input Clips - Sold Separately

Model	Photo	Description	Outline Drawing - mm
RPA-AB01B-H		US Clip	
RPB-AB01B-H		Brazil Clip	 <p> PART NUMBER REVISION No. CAVITY NUMBER VENDER CODE SURFACE TREATMENT VDI-36 POLISHING SURFACE TREATMENT VDI-30 </p> <p> Dimensions: 19.15±0.15 18.00±0.00 35.30±0.15 25.50±0.2 </p>

RPC-AB01B-H		China Clip	
Model	Photo	Description	Outline Drawing - mm
RPE-AB01B-H		Europe Clip	
RPH-AB01B-H		Korea Clip	

RPI-AB01B-H		India Clip	
Model	Photo	Description	Outline Drawing - mm
RPK-AB01B-H		UK Clip	
RPN-AB01B-H		Argentina Clip	

<p>RPS-AB01B-H</p>		<p>Australia Clip</p>	
<p>RPBAG-AB01B-H</p>	<p>RPA-AB01B-H, RPE-AB01B-H, RPK-AB01B-H and RPS-AB01B-H interchangeable clips in a plastic bag.</p> 		

Mouser Electronics

Authorized Distributor

Click to View Pricing, Inventory, Delivery & Lifecycle Information:

[Phihong:](#)

[AA20R-120A-R](#) [AA20R-240A-R](#) [AA20R-480A-R](#) [RPA-AB01B-H](#) [RPB-AB01B-H](#) [RPBAG-AB01B-H](#) [RPC-AB01B-H](#)
[RPE-AB01B-H](#) [RPH-AB01B-H](#) [RPI-AB01B-H](#) [RPK-AB01B-H](#) [RPN-AB01B-H](#) [RPS-AB01B-H](#)