

Connecting Technology

Flexible clamping
and release of tubes



How to use this catalogue

Depending on your level of experience, we suggest you proceed as follows

If you are new to connecting technology

Please use our selection guide from page 9 onwardp.
We will guide you to the right product for your particular application.

If you know all about connecting technology

You know exactly what you require and can go straight to the right product category, where you will find a product overview on the first pagep.

Specific search

...if you are looking for a specific product, we suggest you start in our index on the last pages of this catalogue.

If you have any questions, do not hesitate to contact one of our product consultantp.



Introduction

- About Us
- Service
- Our products
- Level of service

From page 4

Connecting Technology Selection guide

- Flexible Clamping
(What is Connecting Technology?)
- Four steps to your recommended product
(How do I find the right product?)

From page 9



Light Clamps

Plastic tube connectors

- Light load range

From page 24



Solid Clamps

Aluminium tube connectors

- Medium to heavy load range

From page 54



Robust Clamps

Stainless steel tube connectors

- Shock-proof load range

From page 204

Accessories

From page 216

ITAS

- Industrial stairs and working platforms

From page 232

Support arm/equipment carrier system

From page 264

Appendix

- Sketches / Notes
- Index

From page 312

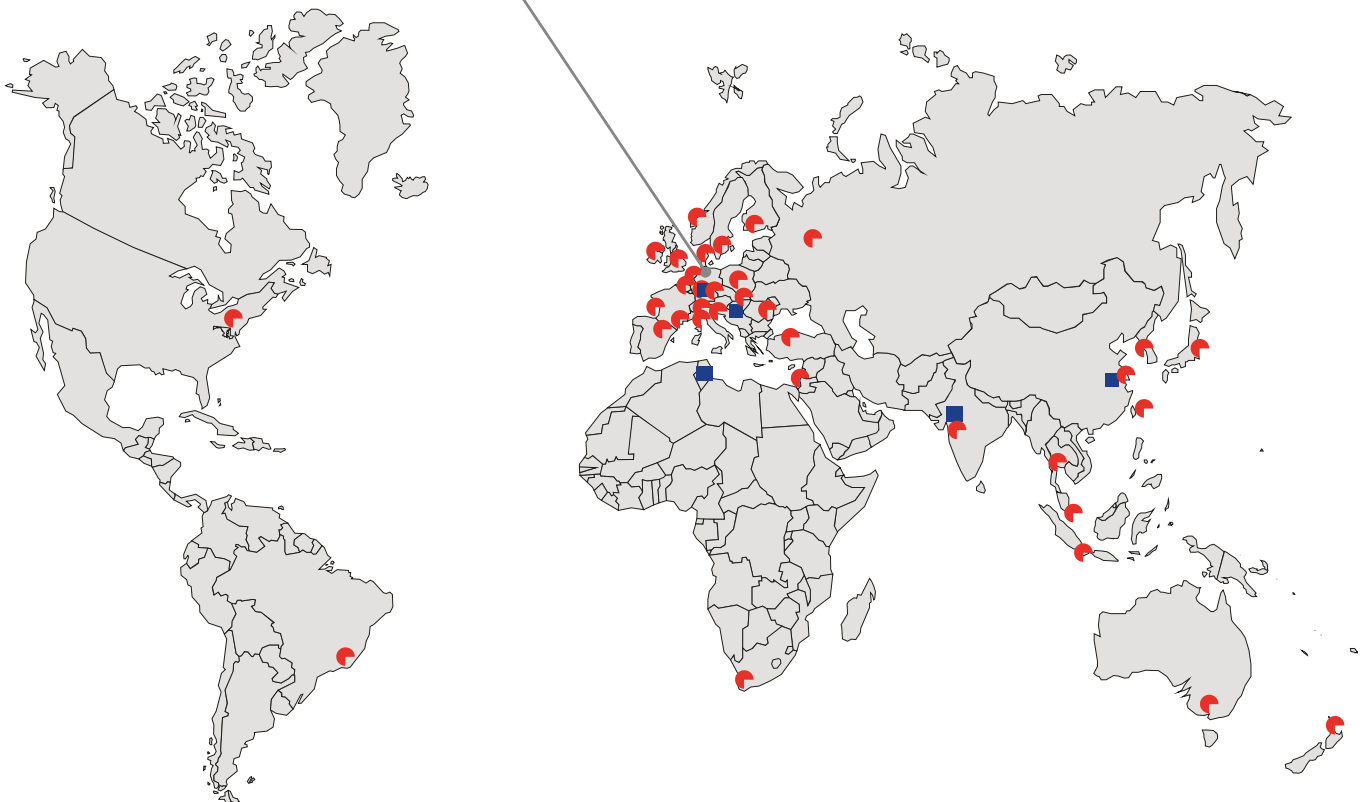
About Us

As a subsidiary of the global Phoenix Mecano AG, we offer an unrivalled range of products in the fields of linear, profile, connecting and module technology. With decades of experience and expertise in a huge range of industrial applications, you need look no further for a highly competent partner. From the first point of contact through to delivery, we focus entirely on your requirements. Individual advice and short delivery periods are two central priorities in our customer-focused corporate philosophy. Our aim is your success, and we look forward to being your strategic partner.



Head Office: Germany, Minden/Westph.

- ✓ Company sales representatives
- ✓ Distributors and system partners



Available around the globe.

- ✓ Profit Centre within Phoenix Mecano
- ✓ Sales and system partners

■ = Production facilities

● = Distribution companies



RK ROSE+KRIEGER

A Phoenix Mecano Company

Our product range

LINEAR TECHNOLOGY

- ✓ Linear actuators
- ✓ Manual guide units
- ✓ Electric cylinders
- ✓ Lifting columns
- ✓ We can move loads for you of up to 3 t and up to 12 m dynamically, reliably and with great precision

Movement and positioning



CONNECTING TECHNOLOGY

- ✓ Fittings for the secure clamp connection of round and square profiles
- ✓ Elements made of aluminium, stainless steel and plastic
- ✓ Sizes from 8 mm to 80 mm

Clamp and release solutions



PROFILE TECHNOLOGY

- ✓ The proven and tested BLOCAN® aluminium assembly system, with profiles offering cross-sections from 20 mm to 320 mm, for a broad spectrum of applications
- ✓ Connection techniques with an unsurpassed combination of flexibility and reliability

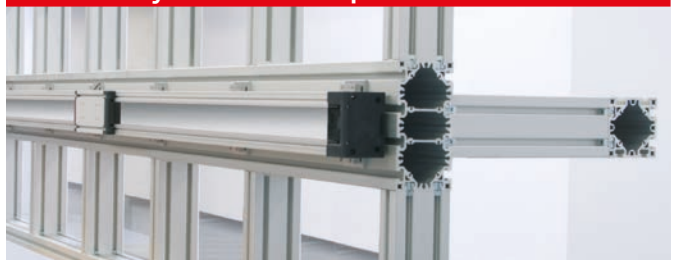
Mix'n'match



MODULE TECHNOLOGY

- ✓ We develop, manufacture and assemble
- ✓ Machine frames
- ✓ Workstations
- ✓ Machine guards
- ✓ Multi-dimensional linear actuator modules
- ✓ Complete drive solutions

Consultancy services and optimisation

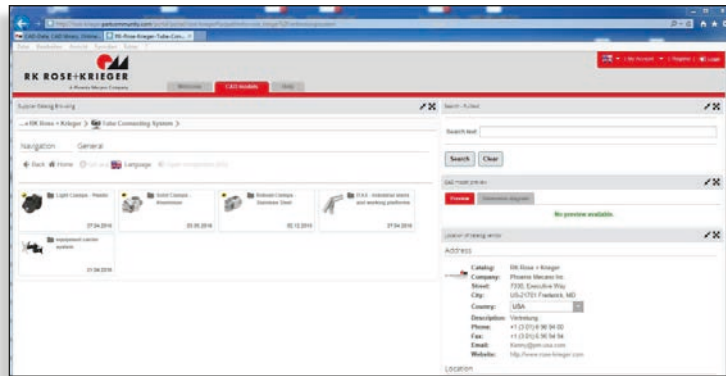


What we can do for you

We help you make the right choice:

CAD component library

To help you design your products, we give you free access to the component data stored in our Rose+Krieger component library (drawings, technical descriptions). This library lets you choose between around 60 different file formats (2D/3D). The link to our component server can be found on our web site at: www.rk-rose-krieger.com/deutsch/service/cad-daten.html



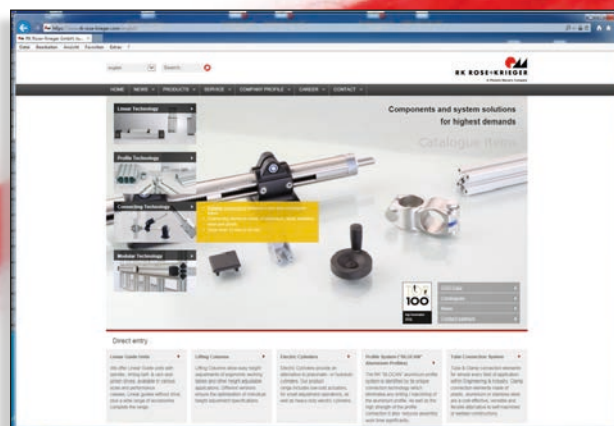
In-house RK product consultancy

The RK infovan - our showroom on your doorstep. With more than 20 presentation boards containing exhibits and functional samples and a range of applications from the world of drive and linear technology, our infovan provides a complete cross-section of the RK products currently available. Our Key Account managers and sales consultants are happy to visit you on site and help you draw up concrete proposals for practical solutionp.



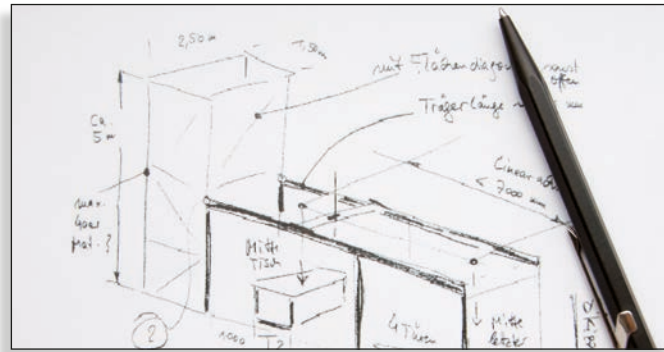
RK website: www.rk-rose-krieger.com

At our website you will find a wealth of information on our company and our products. You will also find the details of company contacts in your area and the latest catalogues (PDF format) available to download.



Do you need to focus your resources on other tasks and are you looking for an expert partner you can rely on? Working in close collaboration with you, our specialists will develop solutions tailor-made to meet your needp. If you wish, we can also assemble and commission the units on site.

Just make a sketch of your requirements



Our product specialists will develop a solution for you



We can deliver your turnkey solution or assemble and commission it for you on site



Level of service

You decide...

100%



Different models, modified standards

Our expertise at your fingertip. Our expert consultants can recommend the optimum products modified to your requirements.



Customised developments

Are you looking for something completely new? Then we'll team up with you to develop it.



Modules and systems

You require your skills and time for other tasks and are looking for a partner you can rely on.

Catalogue items

If you know what you want and take the time to browse our catalogue, you are sure to find what you're looking for in our standard range.

...what level of service you require

0%

We offer

- ✓ A broad range of compatible products
- ✓ 40 years of experience in numerous industries
- ✓ Expert advice for all your requirements
- ✓ Quality – because we deliver what we promise





Contents

What is connecting technology... Page 10

How to find the right product ... Page 11

The RK connecting circle..... Page 12

Light Clamps Page 14

Solid Clamps Page 16

Robust Clamps..... Page 18

Accessories Page 19

ITAS Page 20

Support arm-/
Equipment carrier system..... Page 22

Selection guide

Flexible Clamping

What is Connecting Technology

Connecting precision round and square tube with reliability and stability whilst also making removing easy, appears to be a difficult task. The RK connecting technology, which has been proven over years of use, meets this requirement in a simple and perfect fashion.

Our versatile connection elements offer you the chance to implement creative and flexible solutions, because you can rely on our product. We are sure to have the right part for you, and if not we will develop one especially.

Why drilling, riveting, welding...



...when it's quicker with our reliable clamping system.

Four steps to your recommended product

Step 1:



The application always takes centre stage

Light load range
Medium to heavy load range
Shock-proof load range

Step 2:



What features should the product have?

Right angle connection
Axially parallel connection
Hinge connection

Step 3:



Which product design do you want?

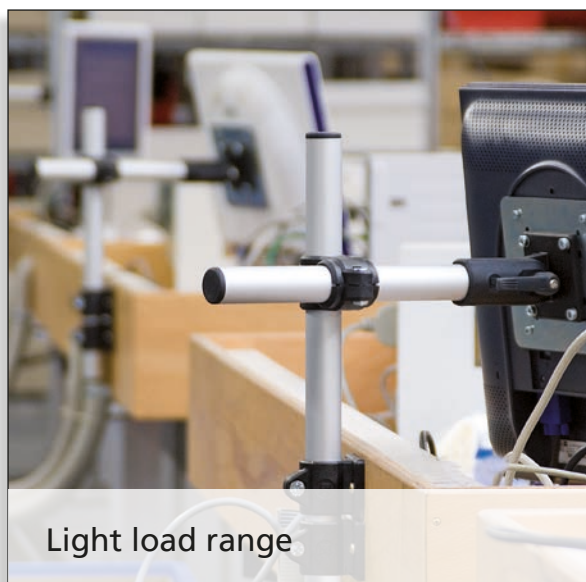
Single-piece elements:
for faster and more economic assembly
Multi-piece elements:
for add-on assembly and upgrading

Step 4:

Which performance category do you require?

Round tube
Square tube
Ø Diameter
□ Square

...follow our system and the terms are self explanatory.



Features:

- ✓ Easy
- ✓ Good value
- ✓ Variable



Light Clamps

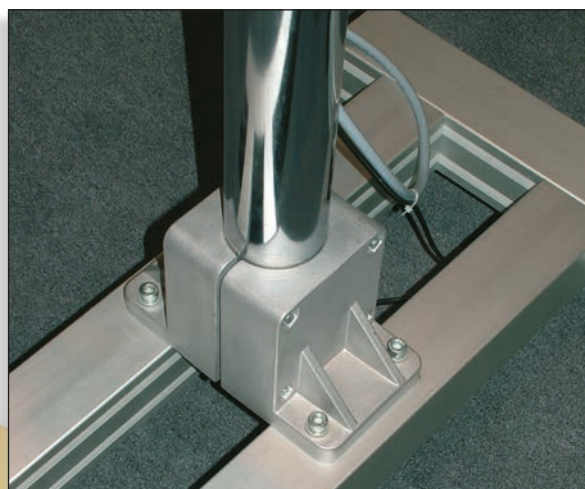
continue on page 14

**Your appli
takes centr**



Solid Clamps

continue on page 16



Medium to heavy load range

Features:

- ✓ Reliable
- ✓ Solid
- ✓ Price/Performance optimised
- ✓ Great variety



ation
e stage

Robust Clamps

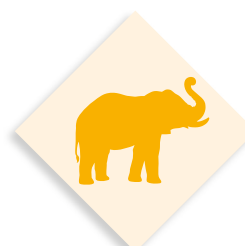
continue on page 18



Shock-proof load range

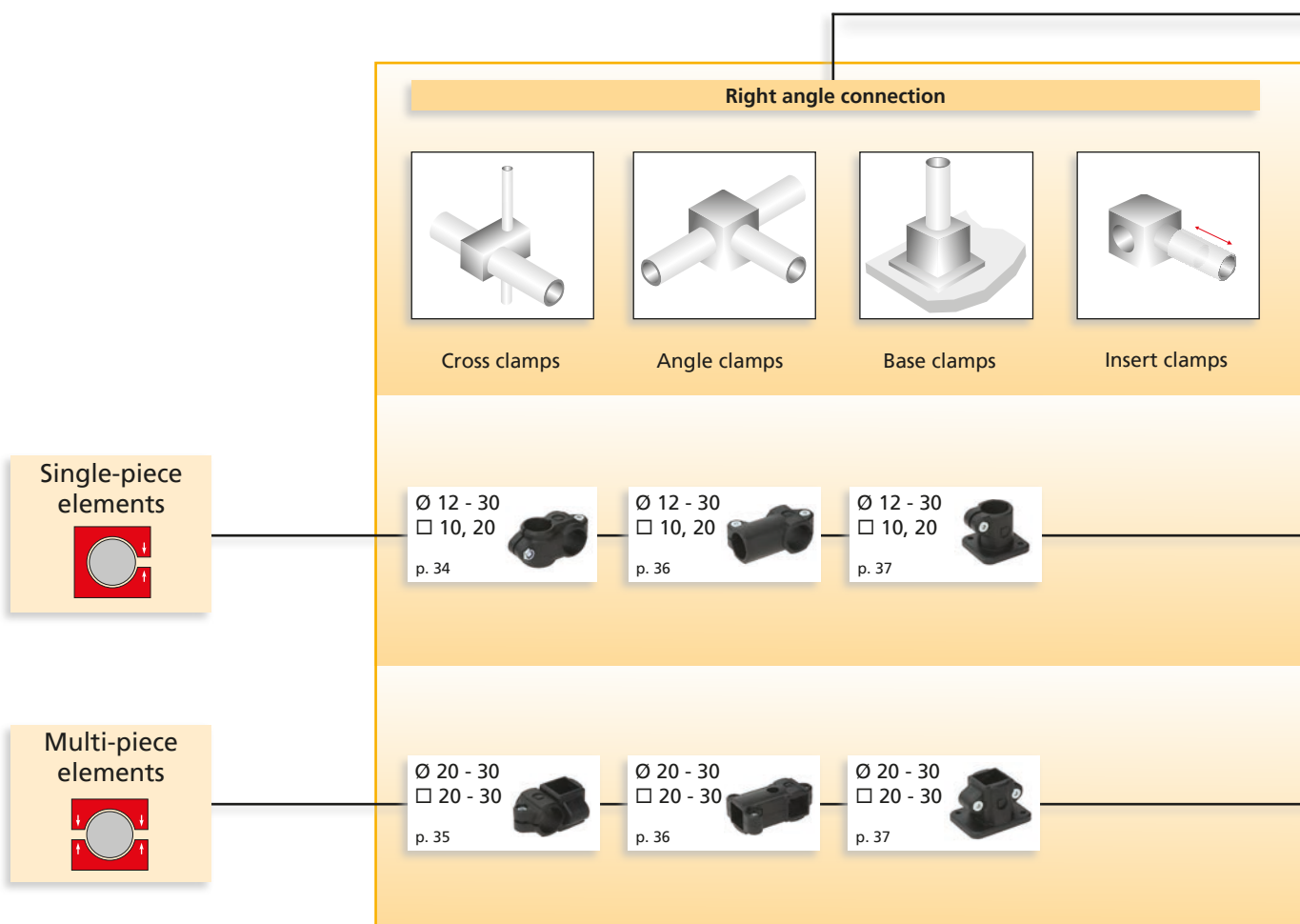
Features:

- ✓ Extremely strong
- ✓ Vibration proof
- ✓ Impact and shock load
- ✓ Corrosion resistant



Plastic:

- ✓ Corrosion resistant
- ✓ Low weight
- ✓ Usable in food packaging
- ✓ Variable using reducing bushes



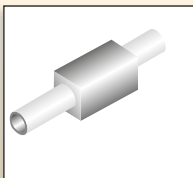
Ø = Diameter round tube
 □ = Dimension square tube

Light Clamps
Plastic

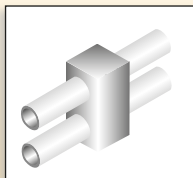


Connecting types

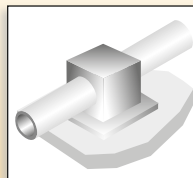
Axially parallel connection



Sleeve clamps



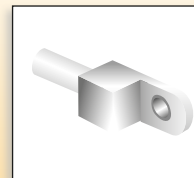
Parallel clamps



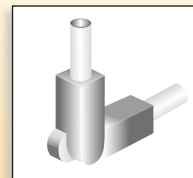
Flange clamps



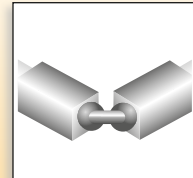
Hinge connection



Strap clamps



Hinge clamps



Ball joint



Solid Clamps Medium to heavy load range

Industrial design

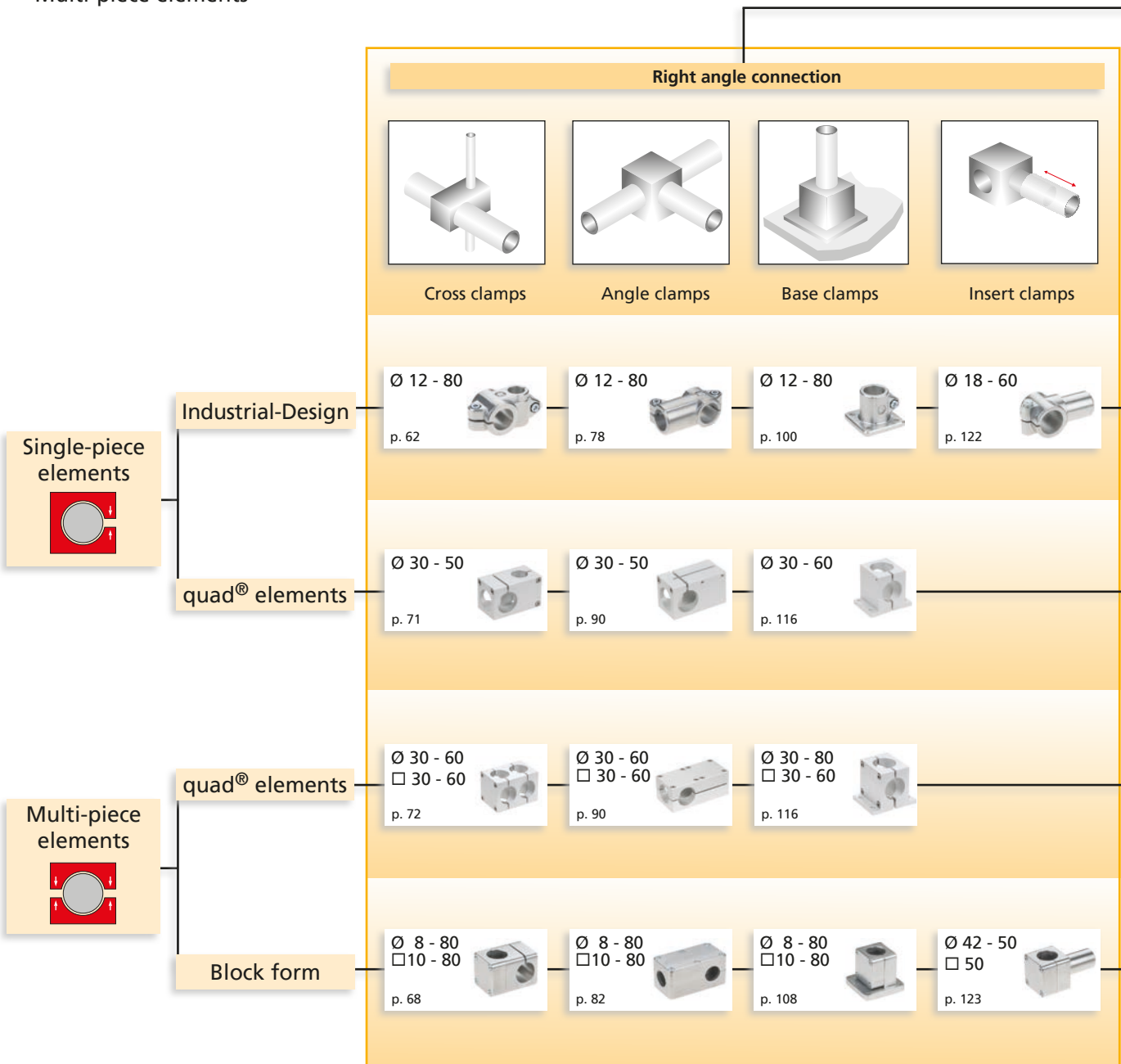
- ✓ Cast aluminium
- ✓ Great variety
- ✓ Single-piece elements

quad® elements

- ✓ Extruded aluminium
- ✓ Maximum torque loads
- ✓ High-quality anodized surface
- ✓ Single- and Multi-piece elements

Blockform

- ✓ Cast aluminium
- ✓ Higher torque loads
- ✓ Plane surface
- ✓ Multi-piece elements



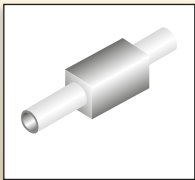
Ø = Diameter round tube
□ = Dimension square tube

Solid Clamps
 Aluminium

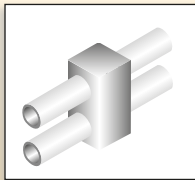


Connecting types

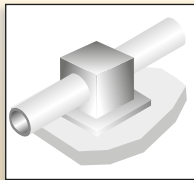
Axially parallel connection



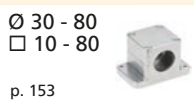
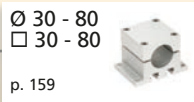
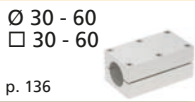
Sleeve clamps



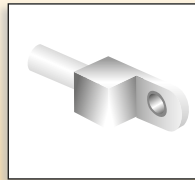
Parallel clamps



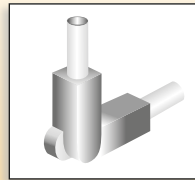
Flange clamps



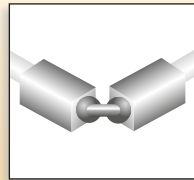
Hinge connection



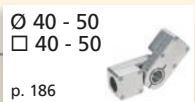
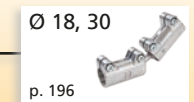
Strap clamps



Hinge clamps



Ball joints



Stainless steel

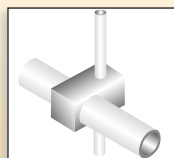
- ✓ Extremely strong for dynamic loads
- ✓ High temperature resistance
- ✓ Corrosion resistant
- ✓ Surface: electropolished

Robust Clamps
Stainless steel

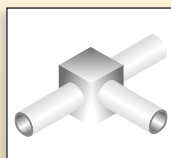


Connecting types

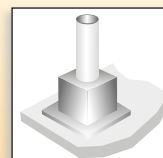
Right angle connection



Cross clamps

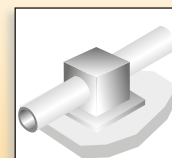


Angle clamps



Base clamps

Axially parallel connection



Insert clamps

Single-piece elements



Ø 12 - 20,
30, 40
p. 212



Ø 12 - 20,
30, 40
p. 213



Ø 12 - 20,
30, 40
p. 214

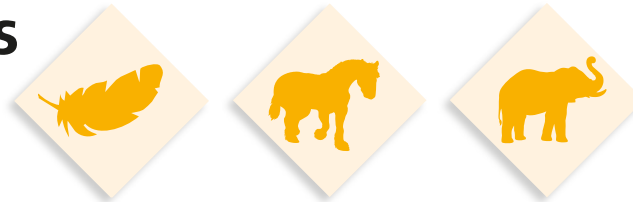


Ø 12 - 20,
30, 40
p. 215



Ø = Diameter round tube
□ = Dimension square tube

Accessories



Steel tubes

Ø = 12 - 80
□ = 20 - 80



p. 220

Stainless steel tubes

Ø = 12 - 60
□ = 20 - 80



p. 220

Aluminium tubes

Ø = 20 - 60
□ = 20 - 60



p. 222

Aluminium bars

Ø = 8 - 10
□ = 10



p. 223

Round tube stopper



p. 226

Adjustable foot



p. 228

Swivel castor with tube fitting



p. 229

Square tube stopper



p. 226

Adjustable feet with tube fitting



p. 228

Fixed castor with tube fitting



p. 229

Round tube threaded stopper



p. 225

Square tube threaded stopper



p. 225

Adjustable levers



p. 230

ITAS - Industrial stairs and working platforms

- ✓ No drilling or welding
- ✓ No bevel cut
- ✓ Easy installation
- ✓ Pleasing design





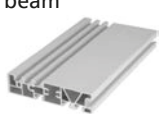



Internal tension system

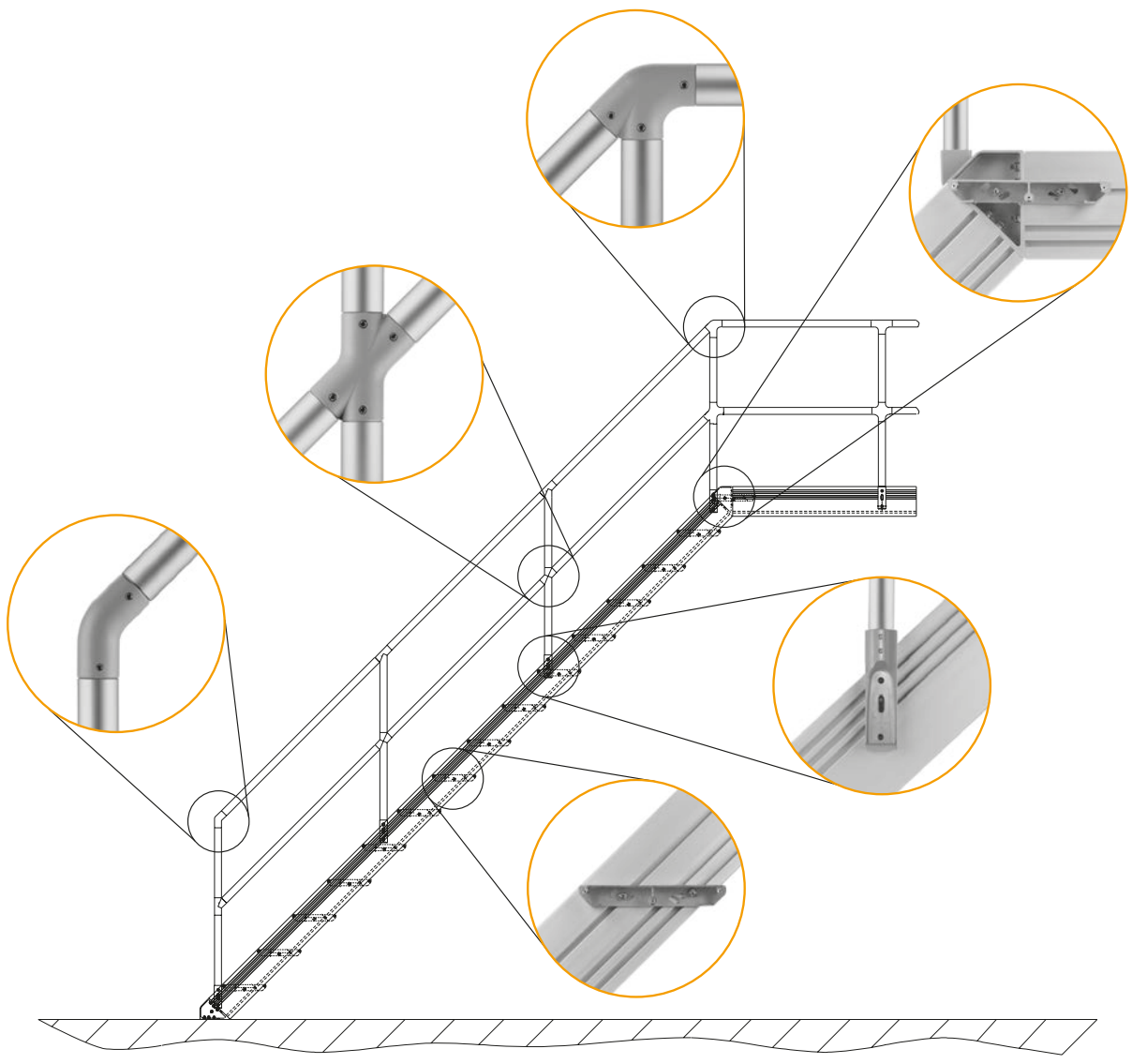
<p>MI 40</p>  <p>p. 240</p>	<p>WIT 40-45°</p>  <p>p. 242</p>	<p>WIV 40-45°</p>  <p>p. 244</p>
<p>WI 40</p>  <p>p. 240</p>	<p>WIT 40H-45°</p>  <p>p. 242</p>	<p>WIY 40-45°</p>  <p>p. 244</p>
<p>WIT 40</p>  <p>p. 240</p>	<p>KI 40-45°</p>  <p>p. 243</p>	<p>FIW 40</p>  <p>p. 245</p>
<p>WIE 40</p>  <p>p. 241</p>	<p>KI 40H-45°</p>  <p>p. 243</p>	<p>FI 40</p>  <p>p. 245</p>
<p>WITE 40</p>  <p>p. 241</p>	<p>WIT 40H-45°R</p>  <p>p. 243</p>	<p>TSI</p>  <p>p. 246</p>
<p>KI 40</p>  <p>p. 241</p>	<p>WIT 40H-45°L</p>  <p>p. 244</p>	<p>TSI 40-WI</p>  <p>p. 246</p>
<p>WI 40-45° 30°, 38°, 52°, 60°</p>  <p>p. 242</p>	<p>WIV 40H-45°</p>  <p>p. 244</p>	<p>Stair railing support TGHF</p>  <p>p. 245</p>

Quick change system

<p>MI-H 40-SW</p>  <p>p. 250</p>	<p>WIT 40-SW2</p>  <p>p. 251</p>	<p>WITE 40-SW2</p>  <p>p. 252</p>
<p>WI 40-SW1</p>  <p>p. 250</p>	<p>KI 40-SW2</p>  <p>p. 251</p>	<p>WIT 40H-45°SW1</p>  <p>p. 252</p>
<p>WIT 40-SW1</p>  <p>p. 250</p>	<p>WIE 40-SW2</p>  <p>p. 251</p>	<p>KI 40H-45°SW1</p>  <p>p. 252</p>

ITAS Accessories

<p>Aluminium tube Ø 40x3</p>  <p>p. 255</p>	<p>Stair joint</p>  <p>p. 260</p>	<p>Step profil</p>  <p>p. 258</p>	<p>Stair corner joint</p>  <p>p. 261</p>
<p>Stair cross beam profile</p>  <p>p. 257</p>	<p>Surface element support FEH-I 40</p>  <p>p. 255</p>	<p>Side plate</p>  <p>p. 259</p>	<p>Angle plate for TGHF</p>  <p>p. 256</p>



Support arm- / Equipment carrier system

RK Monitor Mounting

for round steel tubes, square tubes or profiles

Rotary flange monitor mounting

p. 268



Ball joint monitor mounting

p. 268



Monitor mounting compact

p. 269



Wall console

p. 270



Profile console

p. 270



Support arm single

p. 271



Support arm double

p. 272



Support arm double height adjustable

p. 273



Support arm telescope

p. 274



Support arm telescope height adjustable

p. 276



Monitor floor stand adjustable

p. 278



Accessories
Adaptor plate VESA 50/75

p. 282



Adaptor plate VESA 75/100

p. 282



Keyboard tray

p. 283



Tablet holder

p. 284



Smartphone holder

p. 284



Steering roller

p. 286



More Accessories

from p. 286



Support arm- / Equipment carrier system GT 48

GT Ø 48
for round steel tubes
(standardised)

GT AG

p. 294



GT F / GT FD

p. 294



GT WGW / GT WGS

p. 295



GT AF

p. 295



GT W

p. 296



GT KU / GT KUF

p. 296



GT WKU / GT WKUF

p. 297



GT PF

p. 297



GT NA

p. 298



Support arm- / Equipment carrier system GT 50, 60, 80

GT □ 50, 60, 80
for square tubes

GT AG

p. 304



GT F

p. 304



GT WG

p. 305



GT AF

p. 305



GT ZG

p. 306



GT W

p. 306



GT WKU

p. 307



GT WKUF

p. 307



GT KU

p. 308



GT KUF

p. 309



GT PA

p. 310



GT A

p. 310



Our selection guide is also available online !



**Our online selection guide
Connecting technology - including:**

- ✓ Light Clamps
- ✓ Solid Clamps
- ✓ Robust Clamps

can be found on our website:
www.rk-rose-krieger.com

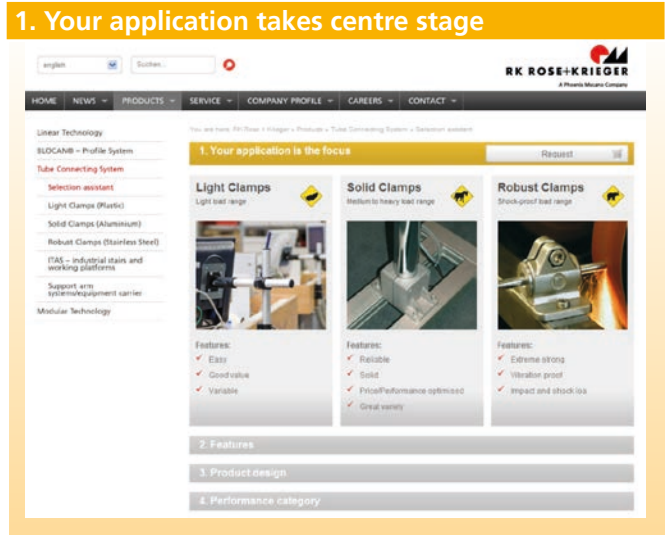
Only four steps to our product recommendation

Features:

- Easy to select
- Online link to current PDF-catalogues
- CAD-data
- Shopping cart function for inquiries

It can be easier than that...
...just try it.

1. Your application takes centre stage



1. Your application is the focus

Light Clamps
Light load range

Solid Clamps
Medium to heavy load range

Robust Clamps
Shock-proof load range

Features:

- ✓ Easy
- ✓ Good value
- ✓ Variable

Features:

- ✓ Reliable
- ✓ Solid
- ✓ Price/Performance optimized
- ✓ Great variety

Features:

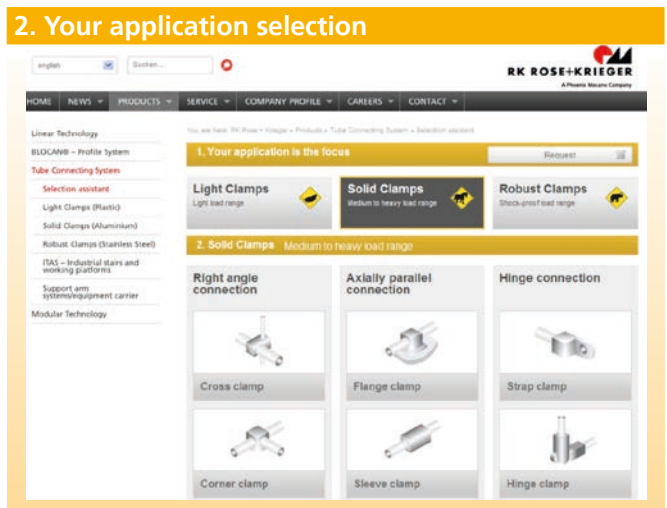
- ✓ Extreme strong
- ✓ Vibration proof
- ✓ Impact and shock load

2. Features

3. Product design

4. Performance category

2. Your application selection



2. Your application selection

2. Solid Clamps Medium to heavy load range

Right angle connection

Axially parallel connection

Hinge connection

Cross clamp

Flange clamp

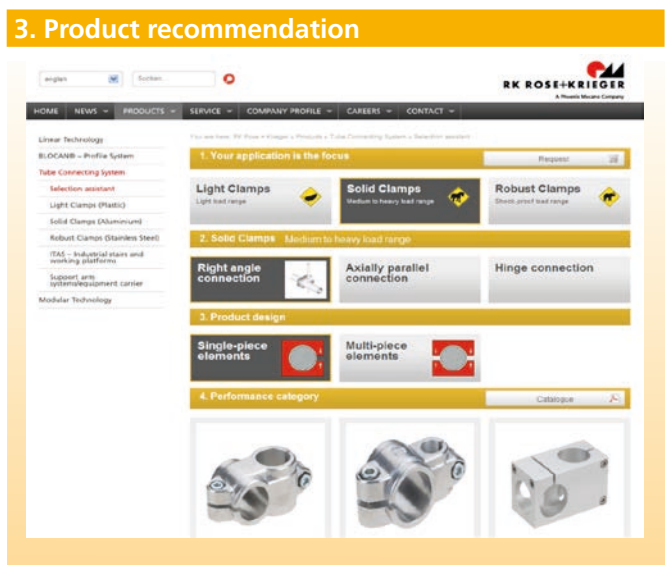
Strap clamp

Corner clamp

Sleeve clamp

Hinge clamp

3. Product recommendation



3. Product recommendation

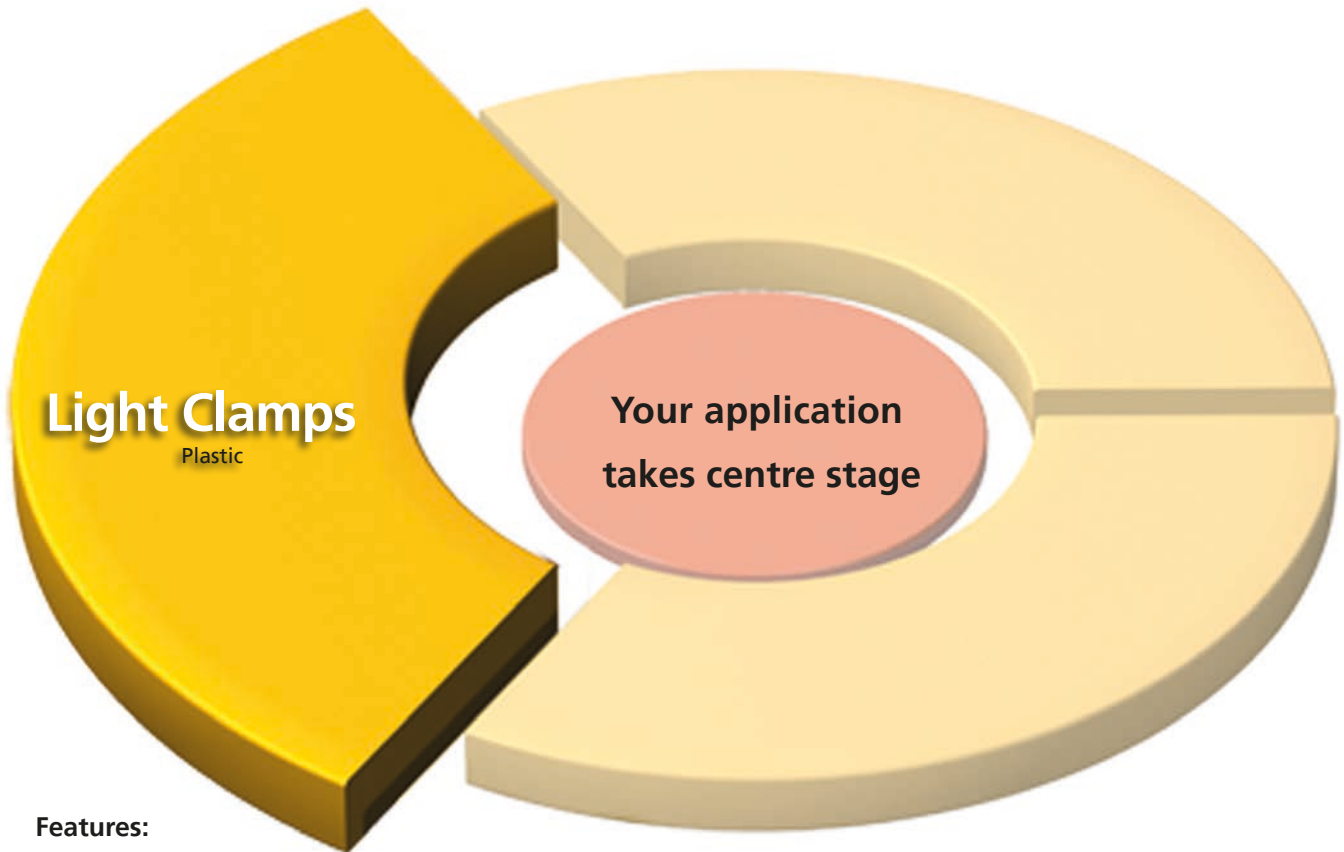
3. Product design

Single-piece elements

Multi-piece elements

4. Performance category

Catalogue



Features:

- ✓ Easy
- ✓ Good value
- ✓ Variable



...the constructive plastic element connecting technology



Light load range

Technical data/Properties Page 29

Right angle tube connector..... Page 34

Axially parallel tube connector..... Page 38

Hinge tube connector Page 41

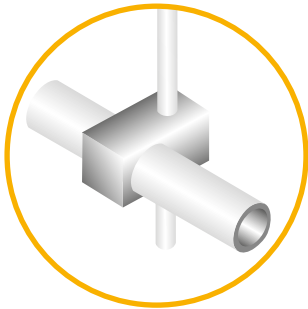
Accessories Page 52

Light Clamps

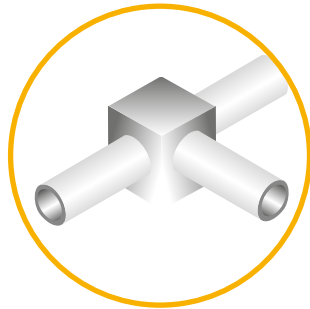


...the constructive plastic element connecting technology

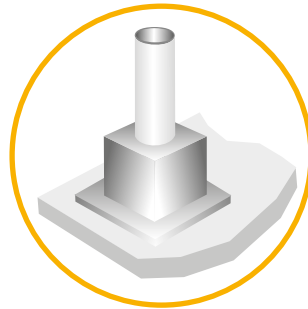
■ Right angle tube connector



Cross clamps

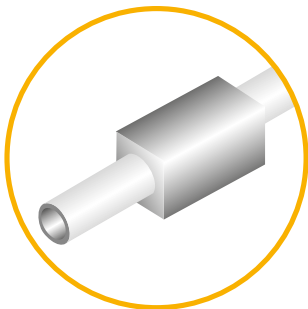


Angle clamps

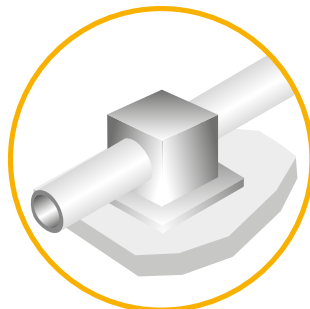


Base clamps

■ Axially parallel tube connector

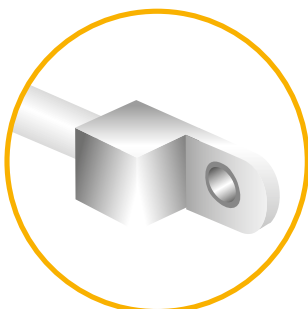


Sleeve clamps

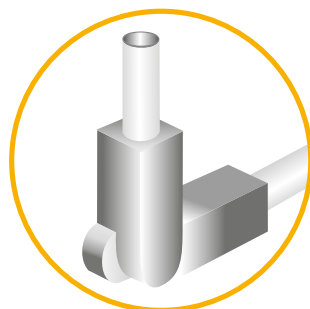


Flange clamps

■ Hinge tube connector

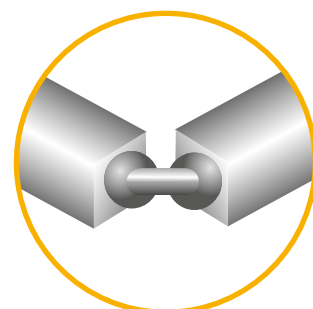


Strap clamps



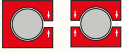
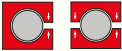
Hinge clamps

■ Ball joint tube connector



Light clamps ball joint

Table of contents - RK *LightClamps*

<p>Right angle tube connector (Single-pcs and multi-pcs elements)</p> 	<ul style="list-style-type: none"> ■ Cross clamps p. 34 ■ Angle clamps p. 36 ■ Base clamps p. 37
<p>Axially parallel tube connector (Single-pcs and multi-pcs elements)</p> 	<ul style="list-style-type: none"> ■ Sleeve clamps p. 38 ■ Flange clamps p. 39
<p>Hinge tube connector (Single-pcs and multi-pcs elements)</p> 	<ul style="list-style-type: none"> ■ Strap clamps p. 41 ■ Hinge clamps p. 43 ■ Ball joint clamps p. 46
<p>Properties</p>	<ul style="list-style-type: none"> ■ Resistance to chemicals p. 50
<p>Accessories</p>	<ul style="list-style-type: none"> ■ Reducing bushes \emptyset p. 52 ■ Reducing insert \square p. 52 ■ Clamping lever p. 53 ■ Screws – Zinc-plated steel p. 53 ■ Screws – Stainless steel p. 53



Version:

■ Light Clamps



Single-piece elements

✓ For faster and more economic assembly



Multi-piece elements

✓ For add-on assembly and upgrading



Features:

- Only one element per type (Ø18 / Ø30 / □ 30)
- Elements made of reinforced polyamide
- Closed elements or half cups
- Tube clamping of different diameters or sections due to a special bush system. Every bush form is worked with the needed tube diameter. Two basic diameters can be flexibly adapted with reducing bushes

Anti turning device for the bush former due to a lokation pin in the bush

Attractive design, low dead load

Zinc plated screws

- Restistance against corrosion and agressive substances. Applicable e.g. in the food packaging industry

Compatibility to the BLOCAN® profile system

Options:

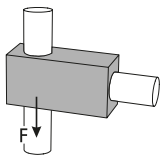
Equipped with stainless steel screws for usage in the food industry and the wet areas in the beverage industry

delivery
from stock

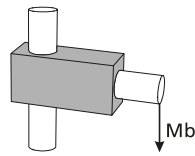
Loads RK *LightClamps*

Attention!

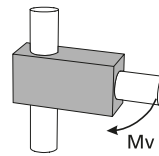
The data in the chart do not ensure a guarantee of quality or a warrant characteristic of our products. These are nonbinding standard values which might be not reached in individual cases due to the temperature or surface finish of the clamping profile.



Adhesion force F [kN]



Bending moment Mb [Nm]



Twisting moment Mv [Nm]

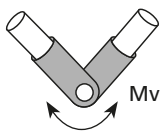
Tightening torque max:

Sizes: 10 – 18: 2,5 Nm

Sizes: 20 – 30: 8,0 Nm

Material data sheet
available upon request.

Sizes Type	□10			Ø12 - 18			□20			Ø20 - 30			□30			Ø30		
	F	Mb	Mv	F	Mb	Mv	F	Mb	Mv	F	Mb	Mv	F	Mb	Mv	F	Mb	Mv
Cross clamps																		
K-KU	0,30	130	15	0,50	111	5	0,50	164	31	1,00	184	11,50						
KV-KU													1,30	122	23	1,60	120,50	19
KVR-KU Insert													1,40	136	23	1,60	142,50	19
KVR-KU Bushes													0,60	134,50	30,50	1,80	107,50	19
Angle clamps																		
W-KU	0,20	91	8	0,60	83	4,50	0,60	153,50	30	1,00	177	10,50						
WV-KU													1,00	136,50	23	1,40	109,50	15,50
Base clamps																		
FS-KU	0,20	36	11	0,40	40	2,50	0,60	158	31	1,10	181,50	13						
FV-KU													1,00	77	23	1,60	72	19,50
Sleeve clamps																		
M-KU	0,10	91	8	0,50	75,50	4	0,70	225,50	31	1,00	242,50	11,50						
Flange clamps																		
FK-KU	0,20	35	7,50	0,40	38,50	4	0,60	134,50	31	1,20	137,50	12,50						
FKV-KU													1,30	144,50	23	1,60	142,50	20,50
V-KU													0,90	-	23	1,20	-	15,50
Strap clamps																		
LP-KU	0,30	16	7,50	0,40	18,50	4,50	0,70	38,50	27	0,90	41,50	11,50						
LPZ-KU	0,40	16	7,50	0,50	18,50	2,50	0,70	43	28	0,90	45,50	12						
LW-KU	0,20	27,50	7,50	0,70	27,50	4	0,80	40,50	31	1,10	41	14						
LF-KU																		



Twisting moment Mv [Nm]

Sizes Type	□10		Ø12 - 18		□20		Ø20 - 30		□30		Ø30	
		Mv		Mv		Mv		Mv		Mv		Mv
Hinge clamps												
GW-KU ohne Verzahnung		1,50		1,70		4,00		4,20				
GWZ-KU mit Verzahnung												
GP-KU ohne Verzahnung		1,10		1,50		2,50		2,10				
GPZ-KU mit Verzahnung												
GF-KU ohne Verzahnung												
GFZ-KU mit Verzahnung		27		23		68		68				

Reducing bushes/-insert size

You can choose the size of the insert you want to introduce into the clamping element between 10 and 25 mm.

The basic size of the round tubular connections is either 18 or 30mm. For any other required diameter the corresponding reducing bush can be delivered.

Should you work with square tubes, which offer a choice between 10 and 20 mm, reducing bushes are a necessity.

Reducing bushes/-insert form

Not only can you choose the diameter of the reducing bush you require, you also have the possibility to choose its form. All you need to do is to choose the tube section you would like to work with.

The following forms are at your disposal:

For round tubes Ø
For square tubes □

Detailed information for the reducing bushes and inserts can be found in the chapter accessories page 48

Order instruction and accessories

The clamping elements are automatically provided with a zinc-plated fixation screw. Also, stainless steel screws and plastic levers can be optionally ordered for the fixation.

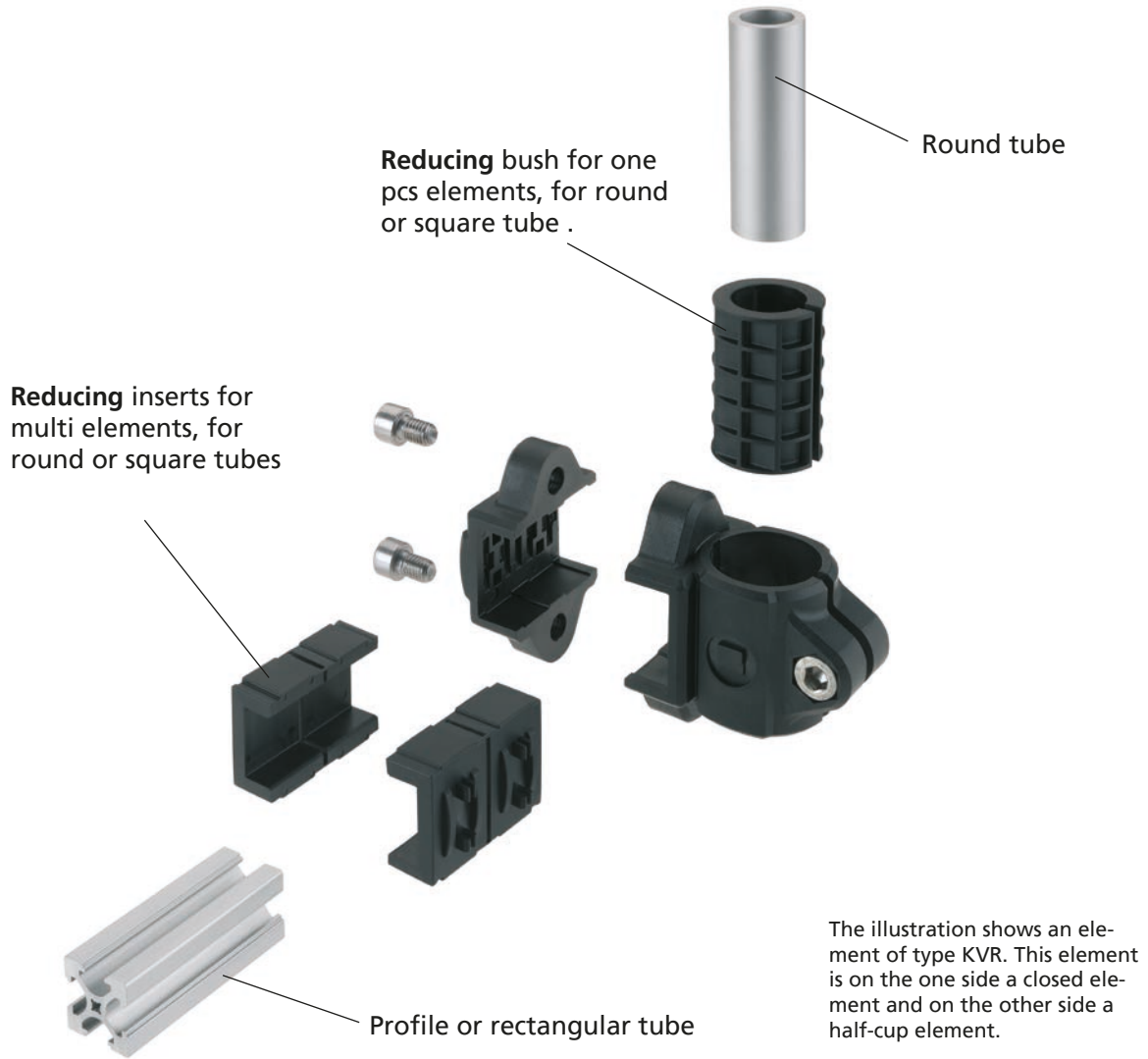
The reducing bushes and -inserts are not included in the standard delivery. They are separately listed in the accessory chapter.

Applications:

- ✓ Areas of the laboratory technology
- ✓ Food industry
- ✓ Wet area in the beverage industry
- ✓ Photo technical applications



The variable reduction sleeve concept :



RK LightClamps – overview

Right angle tube connector



Axially parallel tube connector



Hinge tube connector





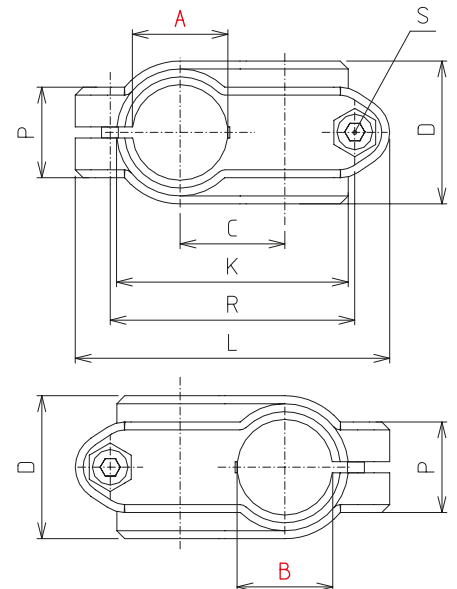
RK LightClamps – Cross clamps

Order instruction:

- Purchase only in lot sizes and a multiple of that, see product table below
- Inserts and bushes for diameter/cross-section changes see accessories page 52
- Standard: equipped and preassembled with galvanised screws
- Clamping levers have to be ordered separately, delivery unassembled
See table last column and page 53

On request:

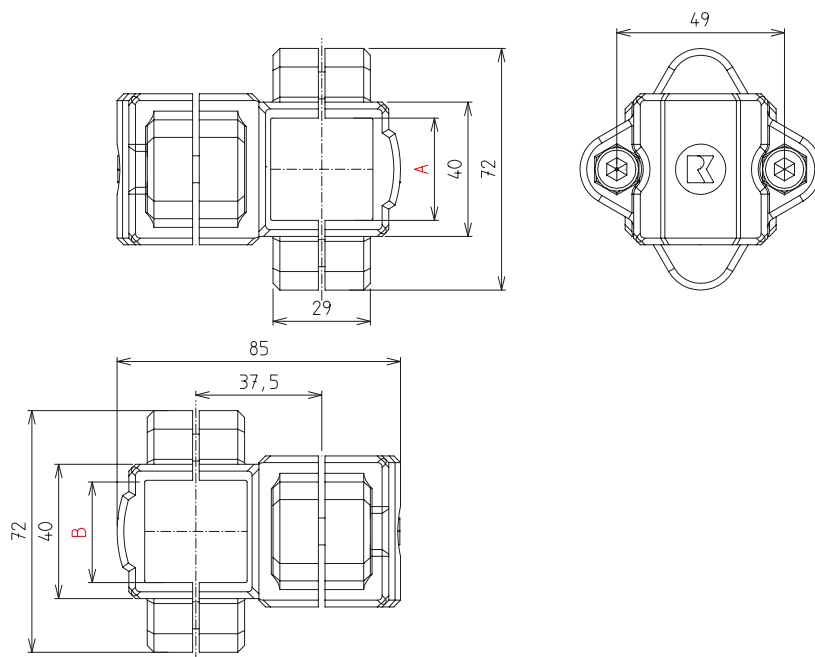
- Stainless screws



Cross clamp K-KU

[mm]

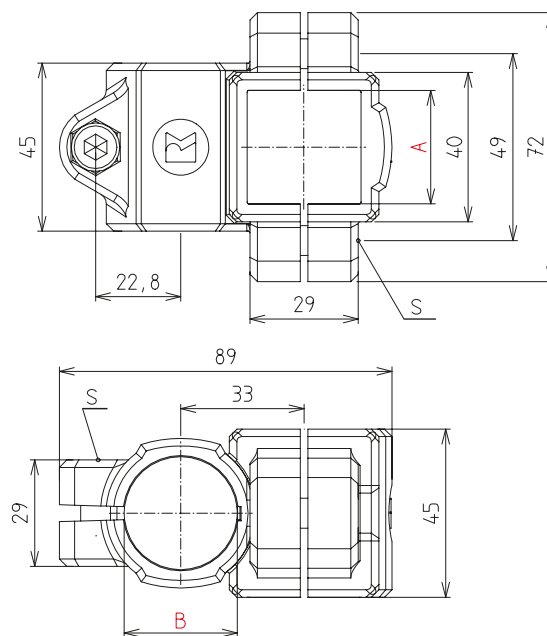
Code No.	Type	lot sizes	Clamping *		C	D	K	L	P	R	Weight m [g]	Clamping lever S Code No.
			A	B								
K00018ACSR18R18	12-18	10, 20, 30... pcs	18		20	30	48	63	21	48	50	93024
K00030ACSR30R30	20-30	5, 10, 15... pcs	30		33	45	72	99	28,5	77	132	902381



Cross clamp KV-KU

[mm]

Code No.	Type	lot sizes	Clamping*		Weight m [g]
			A	B	
K00530ACSV30V30	20-30	5, 10, 15... pcs	30		171



Cross clamp KVR-KU

[mm]

Code No.	Type	lot sizes	Clamping*		Weight m [g]
			A	B	
K00430ACSR30V30	20-30	5, 10, 15... pcs	30		117

*Reduction of the diameter or cross section of the clamping with bushes possible (Accessories p. 52).

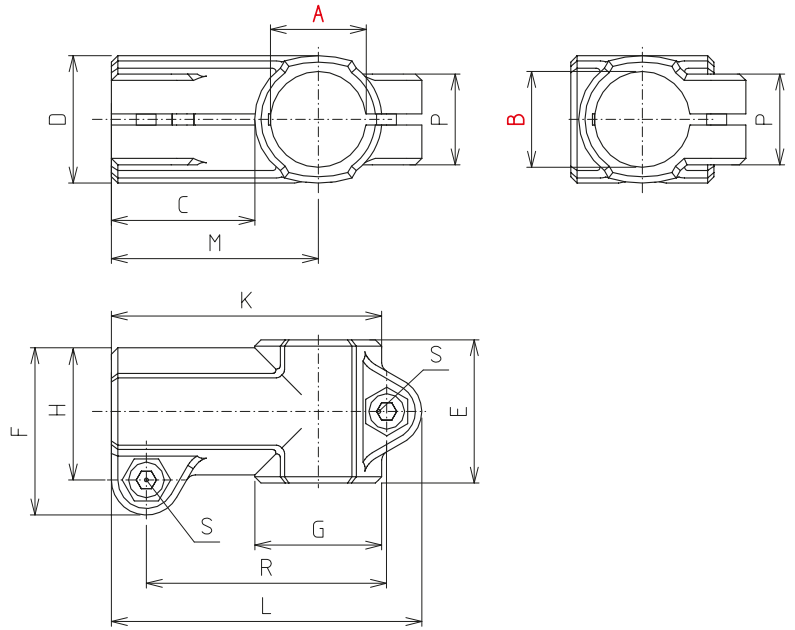
RK LightClamps – Angle-/Base clamps

Order instruction:

- Purchase only in lot sizes and a multiple of that, see product table below
- Inserts and bushes for diameter/cross-section changes see accessories page 52
- Standard: equipped and preassembled with galvanised screws
- Clamping levers have to be ordered separately, delivery unassembled. See table last column and page 53

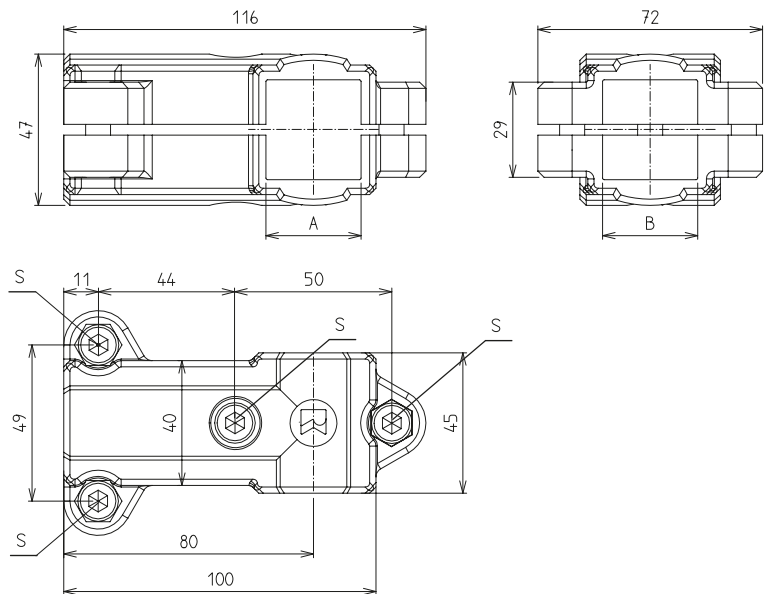
On request:

- Stainless screws



Angle clamps W-KU

Code No.	Type	lot sizes	Clamping*		C	D	E	F	G	H	K	L	M	P	R	Weight m [g]	Clamping lever S Code No.
			A	B													
K10018ACSR18R18	12-18	10, 20, 30... pcs	18		30,5	25	30	34	25	26,5	55,5	64,5	43	21	49,5	44	93024
K10030ACSR30R30	20-30	5, 10, 15... pcs	30		45	40	45	52,5	40	41,5	85	97,5	65	28,5	75,5	115	902381

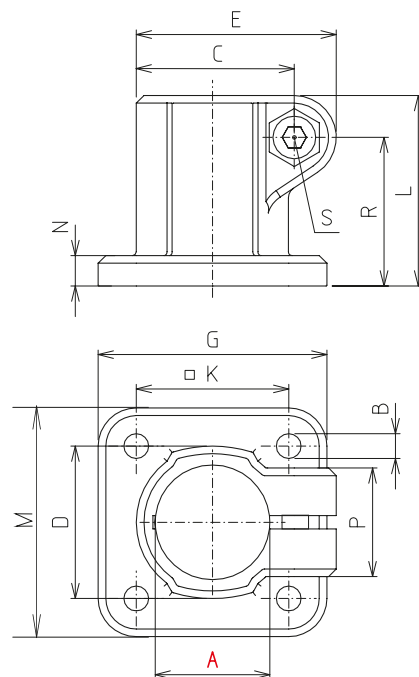


Angle clamps WV-KU

Code No.	Type	lot sizes	Clamping*		Weight m [g]	Clamping lever S Code No.
			A	B		
K10430ACSV30V30	20-30	5, 10, 15... pcs	30		194	902381

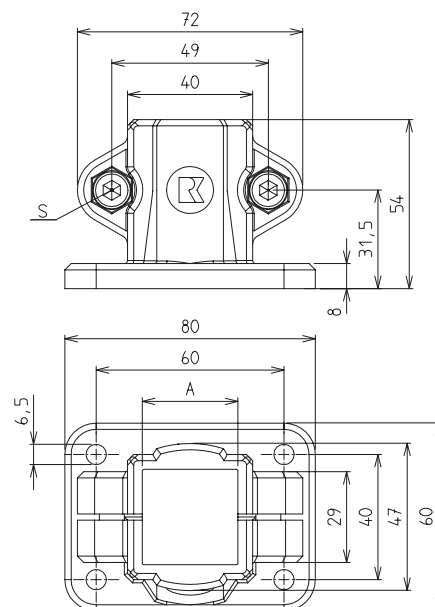


FS-KU 18/2
* Dimension of K are turned by 90° with a distance of 38-40 mm (slotted hole)



Base clamps FS-KU

[mm]																
Code No.	Type	lot sizes	Clamping* A	B	C	D	E	G	K	L	M	N	P	R	Weight m [g]	Clamping lever S Code No.
K30018ACSR18	12-18	10, 20, 30... pcs	18	5,3	26,5	26	34	45	30	32	45	5	21	24,5	30	93024
K30118ACSR18	18/2	10, 20, 30... pcs	18	5,5	26,5	26	34	30	38	32	50	5	21	18,5	30	93024
K30030ACSR30	20-30	5, 10, 15... pcs	30	6,5	41,5	40	52,5	60	40	50	60	8	28,5	39	75	902381



Base clamps FV-KU

[mm]						
Code No.	Type	lot sizes	Clamping* A	Weight m [g]	Clamping lever S Code No.	
K30530ACSV30	20-30	5, 10, 15... pcs	30	121	902381	

*Reduction of the diameter or cross section of the clamping with bushes possible (Accessories p. 52).

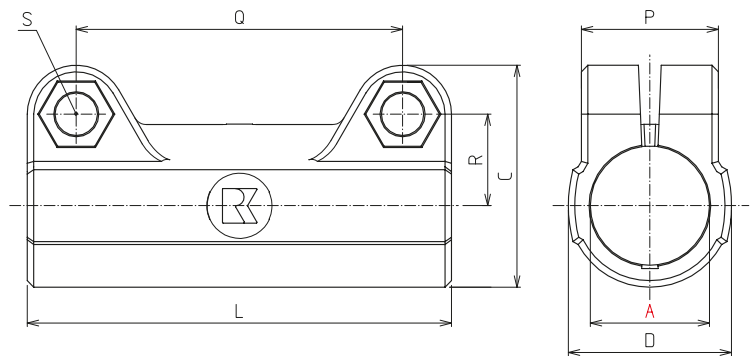
RK LightClamps – Sleeve-/Flange clamps

Order instruction:

- Purchase only in lot sizes and a multiple of that, see product table below
- Inserts and bushes for diameter/cross-section changes see accessories page 52
- Standard: equipped and preassembled with galvanised screws
- Clamping levers have to be ordered separately, delivery unassembled
See table last column and page 53

On request:

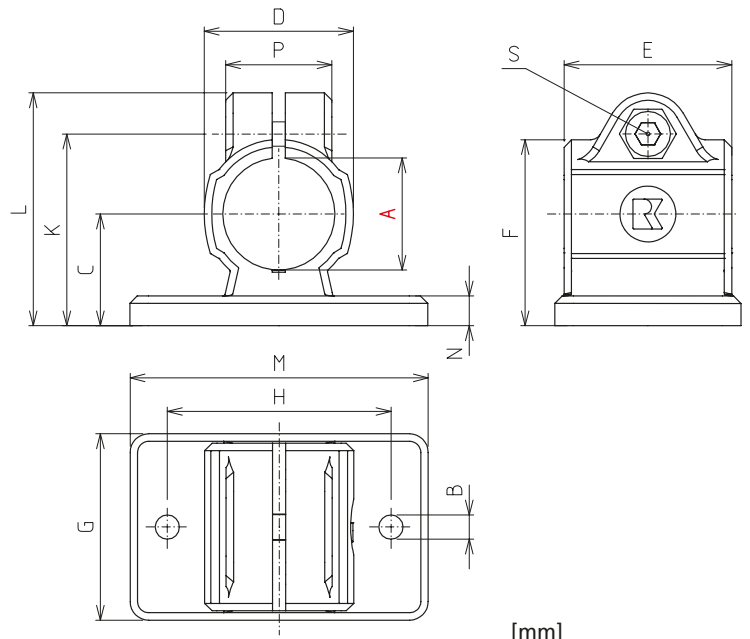
- Stainless screws



Sleeve clamp M-KU

[mm]

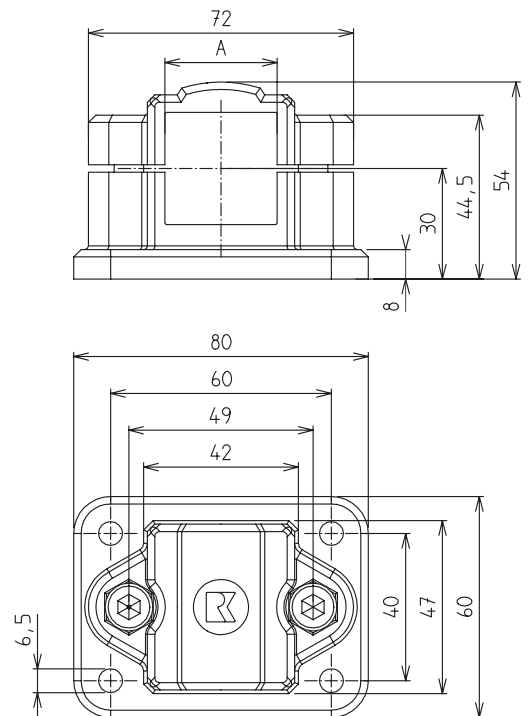
Code No.	Type	lot sizes	Clamping*		C	D	L	P	Q	R	Weight m [g]	Clamping lever S Code No.
			A	B								
K40018ACSR18R18	12-18	10, 20, 30... pcs	18		34	25	65	21	50	14	28	93024
K40030ACSR30R30	20-30	5, 10, 15... pcs	30		52,5	40	95	28,5	73	22,8	87	902381



[mm]

Flange clamp FK-KU

Code No.	Type	lot sizes	Clamping* A	B	C	D	E	F	G	H	K	L	M	N	Weight m [g]	Clamping lever S Code No.
K20018ACSR18	12-18	10, 20, 30... pcs	18	5,3	18	25	30	30,5	35	40	32	39,5	50	5	30	93024
K20030ACSR30	20-30	5, 10, 15... pcs	30	6,5	30	40	45	50	50	60	52,8	62,5	80	8	84	902381



[mm]

Flange clamp FKV-KU

Code No.	Type	lot sizes	Clamping* A	Weight m [g]
K20530ACSV30	20-30	5, 10, 15... pcs	30	125

*Reduction of the diameter or cross section of the clamping with bushes possible (Accessories p. 52).

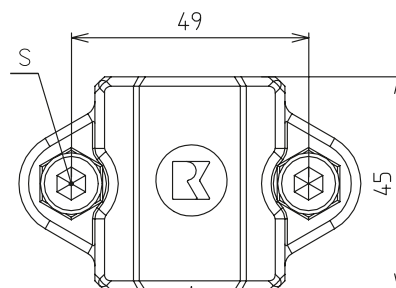
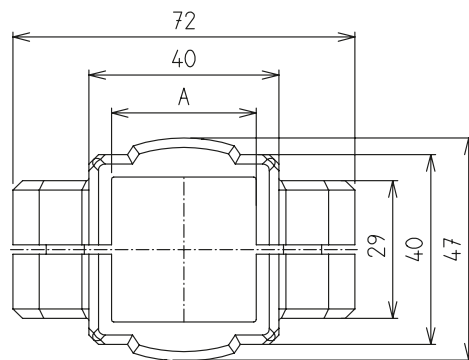
RK LightClamps – Flange-/Strap clamps

Order instruction:

- Purchase only in lot sizes and a multiple of that, see product table below
- Inserts and bushes for diameter/cross-section changes see accessories page 52
- Standard: equipped and preassembled with galvanised screws
- Clamping levers have to be ordered separately, delivery unassembled See table last column and page 53

On request:

- Stainless screws



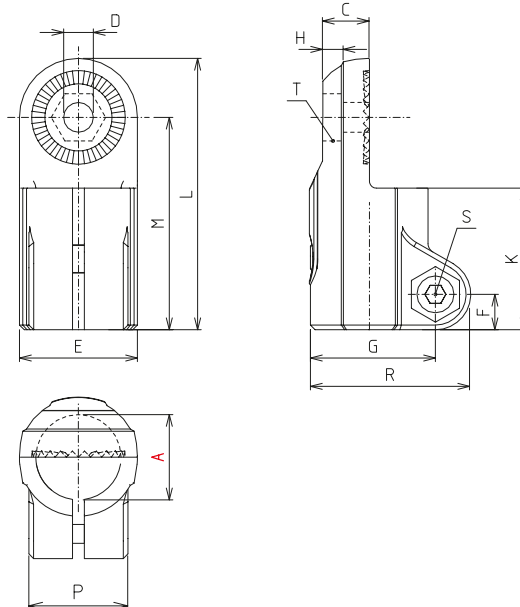
Flange clamp V-KU

Code No.	Type	lot sizes	Clamping * A	Weight m [g]	Clamping lever S Code No.
K20830ACSV30	20-30	5, 10, 15... pcs	30	90	902381

[mm]



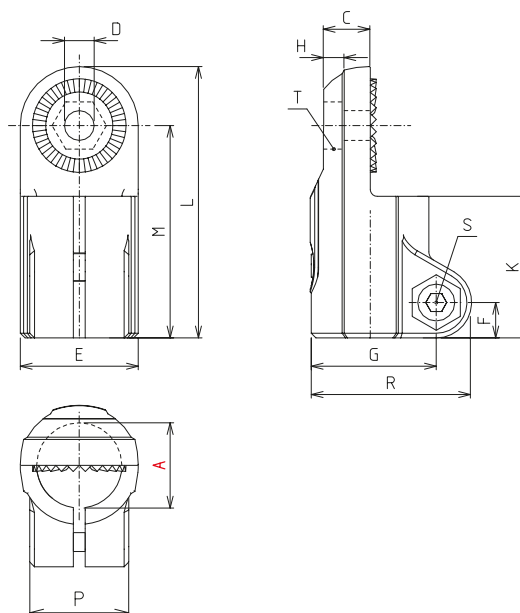
15° toothing, internal


Strap clamp LP-KU

																	[mm]	
Code No.	Type	lot sizes	Clamping* A	C	D	E	F	G	H	K	L	M	P	R	T	Weight m [g]	Clamping lever S Code No.	
K70118ACSR18	12-18	10, 20, 30... pcs	18	9,9	6,1	25	7,5	26,5	5,9	30	57,5	45	21	34	M6- DIN985	28	93024	
K70130ACSR30	20-30	5, 10, 15... pcs	30	16,5	8,1	40	11	41,5	9,9	45	88	68	28,5	52,5	M8- DIN985	86	902381	



15° toothing, external


Strap clamp LPZ-KU

																	[mm]	
Code No.	Type	lot sizes	Clamping* A	C	D	E	F	G	H	K	L	M	P	R	T	Weight m [g]	Clamping lever S Code No.	
K71018ACSR18	12-18	10, 20, 30... pcs	18	9,9	6,1	25	7,5	26,5	5,9	30	57,5	45	21	34	M6- DIN985	28	93024	
K71030ACSR30	20-30	5, 10, 15... pcs	30	16,5	8,1	40	11	43	9,9	45	88	68	28,5	52,5	M8- DIN985	87	902381	

*Reduction of the diameter or cross section of the clamping with bushes possible (Accessories p. 52).

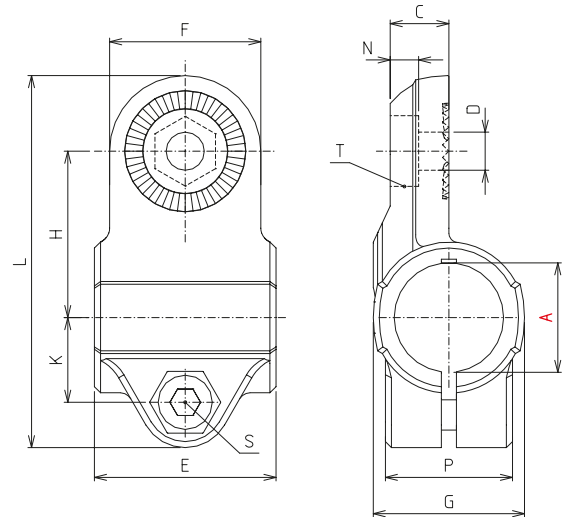
RK LightClamps – Strap-/Hinge clamps

Order instruction:

- Purchase only in lot sizes and a multiple of that, see product table below
- Inserts and bushes for diameter/cross-section changes see accessories page 52
- Standard: equipped and preassembled with galvanised screws
- Clamping levers have to be ordered separately, delivery unassembled. See table last column and page 53

On request:

- Stainless screws



15° tothing, internal



Strap clamp LW-KU

[mm]

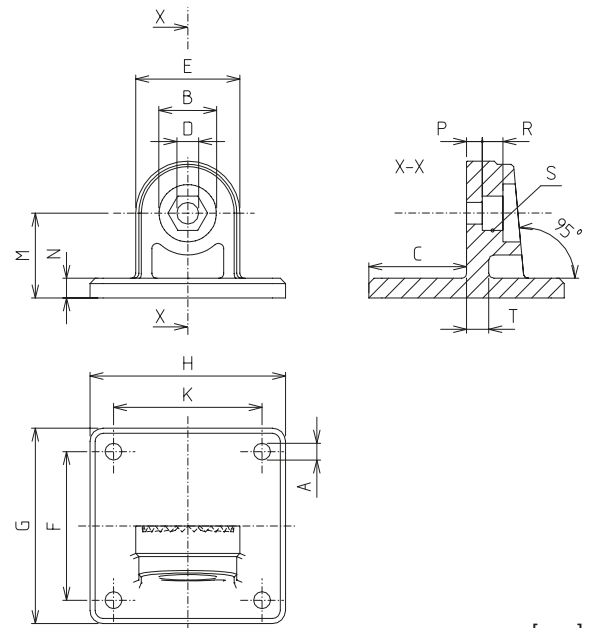
Code No.	Type	lot sizes	Clamping* A	C	D	E	F	G	H	K	L	M	P	T	Weight m [g]	Clamping lever S Code No.
K70018ACSR18	12-18	10, 20, 30... pcs	18	9,7	6,1	30	25	25	27,5	14	61,5	5,7	21	M6-DIN985	29	93024
K70030ACSR30	20-30	5, 10, 15... pcs	30	16,5	8,1	45	40	40	43	21,5	95,5	9,9	28,5	M8-DIN985	91	902381



15° tothing, internal



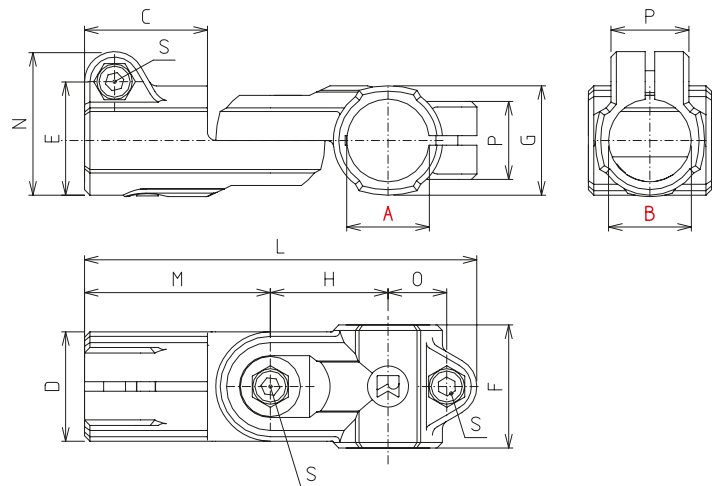
Strap clamp LF-KU



[mm]

Code No.	Type	lot sizes	A	B	C	D	E	F	G	H	K**	M	N	P	R	S	T	Weight m [g]
K70218ACS	12-18	10, 20, 30... pcs	5,3	15	25	6,1	25	40	50	35	0	20	5	4,5	5,5	M6-DIN985	5	17
K70230ACS	20-30	5, 10, 15... pcs	6,5	22	37,5	8,1	40	60	75	75	60	32,5	7,5	6,6	8,2	M8-DIN985	7	77

** For Type 12–18, only 2 bores (centered) available.



Hinge clamp GW-KU (without tothing) GWZ-KU (with tothing)

[mm]

Code No.	Type	lot sizes	Clamping *		C	D	E	F	G	H	L	M	N	O	P	Weight m [g]	Clamping lever S Code No.
			A	B													
K80118ACSR18R18	GW 12-18	10, 20, 30... pcs	18		30	25	26,5	30	25	27,5	94	45	34	14	21	67	93024
K80418ACSR18R18	GWZ 12-18	10, 20, 30... pcs	18		30	25	26,5	30	25	27,5	94	45	34	14	21	67	93024
K80130ACSR30R30	GW 20-30	5, 10, 15... pcs	30		45	40	41,5	45	40	43	143,5	68	52,5	32,5	28,5	177	902381
K80430ACSR30R30	GWZ 20-30	5, 10, 15... pcs	30		45	40	41,5	45	40	43	143,5	68	52,5	32,5	28,5	178	902381

GW – without tothing, 180° infinitely
GWZ – with tothing, rotation of 180°, 15° intervals

*Reduction of the diameter or cross section of the clamping with bushes possible (Accessories p. 52).

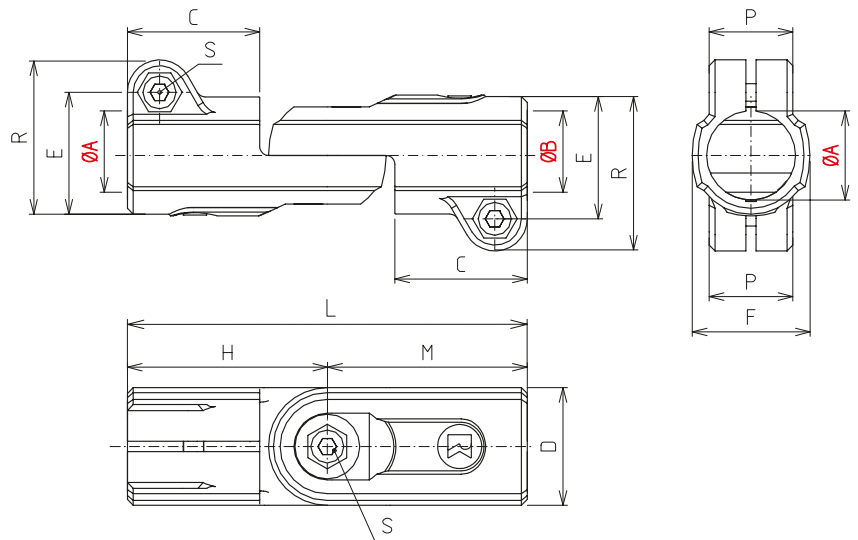
RK LightClamps – Hinge clamp

Order instruction:

- Purchase only in lot sizes and a multiple of that, see product table below
- Inserts and bushes for diameter/cross-section changes see accessories page 52
- Standard: equipped and preassembled with galvanised screws
- Clamping levers have to be ordered separately, delivery unassembled
See table last column and page 53

On request:

- Stainless screws

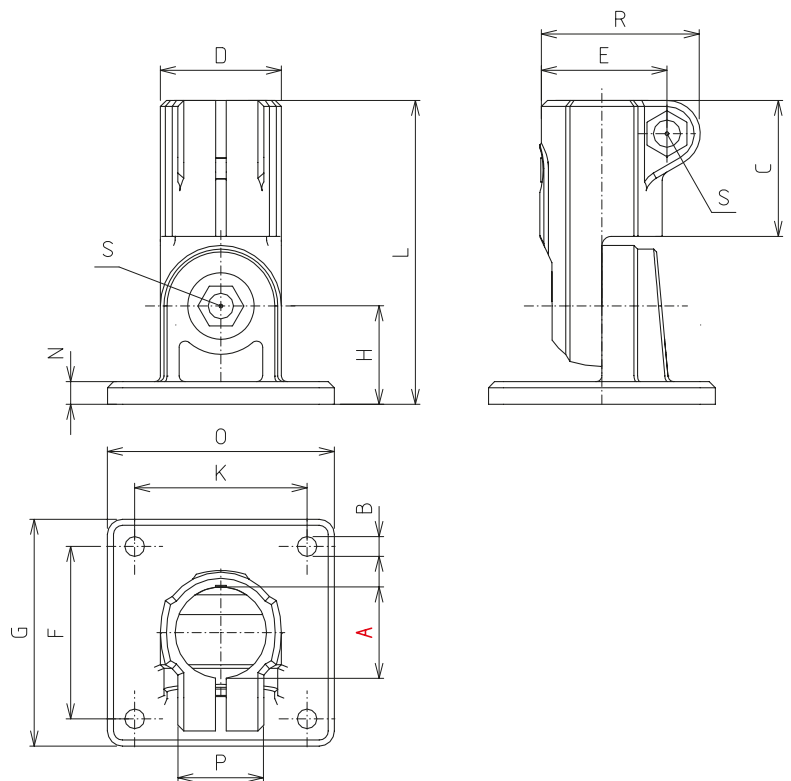


Hinge clamp GP-KU (without tothing) GPZ-KU (with tothing)

[mm]

Code No.	Type	lot sizes	Clamping*		C	D	E	F	H	L	M	P	R	Weight m [g]	Clamping lever S Code No.
			A	B											
K80018ACSR18R18	GP 12-18	10, 20, 30... pcs	18		30	25	26,5	30	45	90	45	21	34	66	93024
K80518ACSR18R18	GPZ 12-18	10, 20, 30... pcs	18		30	25	26,5	30	45	90	45	21	34	66	93024
K80030ACSR30R30	GP 20-30	5, 10, 15... pcs	30		45	40	41,5	40	68	136	68	28,5	52,5	194	902381
K80530ACSR30R30	GPZ 20-30	5, 10, 15... pcs	30		45	40	41,5	40	68	136	68	28,5	52,5	194	902381

GP – without tothing, 180° infinitely
GPZ – with tothing, rotation of 180°, 15° intervals



Hinge clamp GF-KU (without tothing) GFZ-KU (with tothing)

[mm]

Code No.	Type	lot sizes	Clamping* A	B	C	D	E	F	G	H	K*	L	N	O	P	R	Weight m [g]	Clamping lever S Code No.
K80218ACSR18	GF 12-18	10, 20, 30... pcs	18	5,3	30	25	26,5	40	50	20	0	65	5	35	21	34	55	93024
K80718ACSR18	GFZ 12-18	10, 20, 30... pcs	18	5,3	30	25	26,5	40	50	20	0	65	5	35	21	34	55	93024
K80230ACSR30	GF 20-30	5, 10, 15... pcs	30	6,5	45	40	41,5	60	75	32,5	60	100,5	7,5	75	28,5	52,5	184	902381
K80730ACSR30	GFZ 20-30	5, 10, 15... pcs	30	6,5	45	40	41,5	60	75	32,5	60	100,5	7,5	75	28,5	52,5	185	902381

GF – without tothing, 180° infinitely
GFZ – with tothing, rotation of 180°, 15° intervals

*Reduction of the diameter or cross section of the clamping with bushes possible (Accessories p. 52).

RK *Light*Clamps – Ball joints



Version:

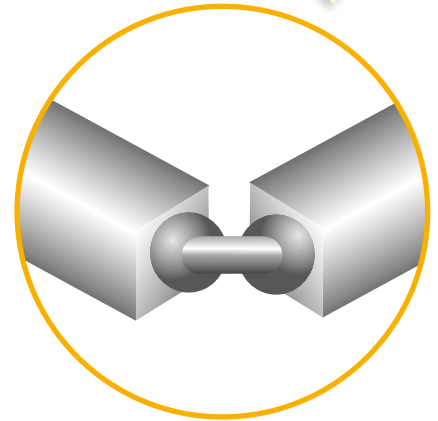
- Ball joint

delivery
from stock



Single-piece elements

✓ For faster and more economic assembly



RK*Light*Clamps

- Easy
- Good value
- Variable

Features:

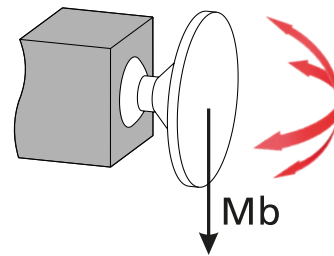
- can be pivoted freely by 60°/can be rotated 360°
- can be combined with tube connectors of sizes 18
- the clamps feature a universal connecting plate for flexible integration
- high-strength clamping thanks to special finishes



Loads

Attention!

The data in the chart do not ensure a guarantee of quality or a warrant characteristic of our products. These are nonbinding standard values which might be not reached in individual cases due to the temperature or surface finish of the clamping profile.



Bending moment Mb [Nm]

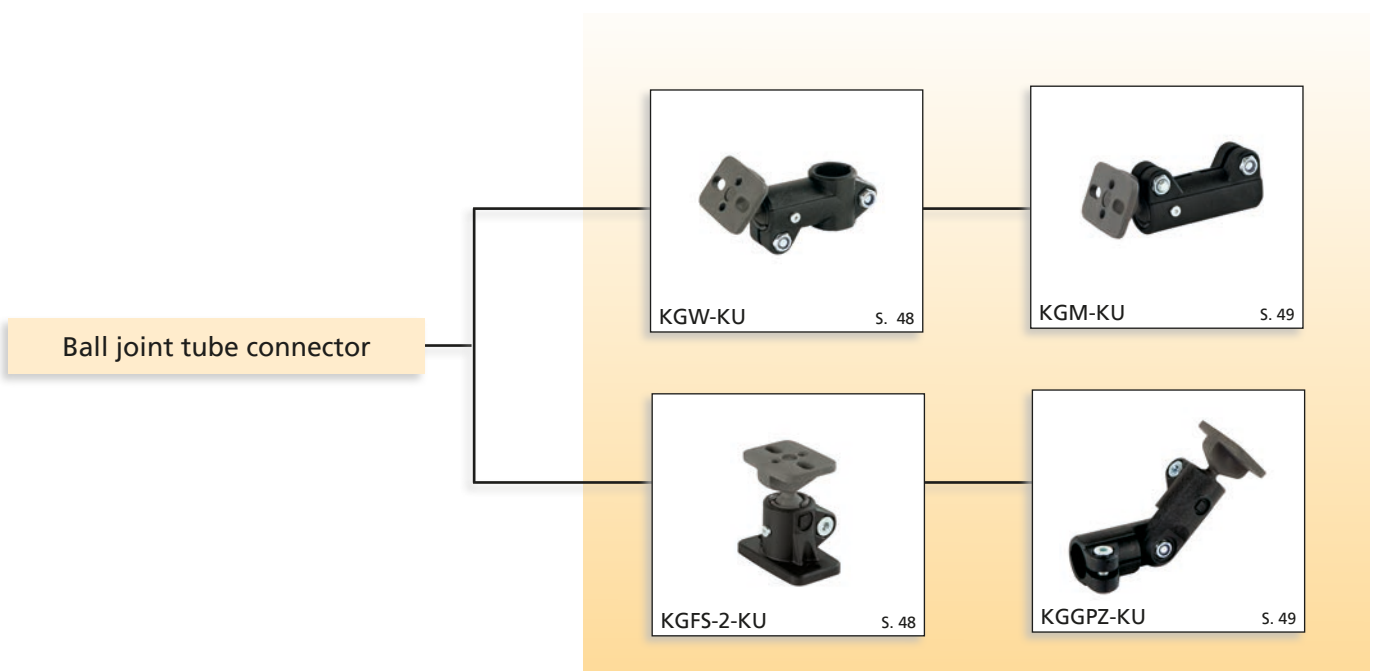
Size	18	30
Light Clamps (plastic)		
KGW-KU	8	-
KGFS-2-KU	5	-
KGM-KU	5	-
KGGPZ-KU	8	-

**Tightening torque
of clamping screws:**

M6: 8 Nm
M8: 25 Nm

Material data sheet
available upon request.

Overview



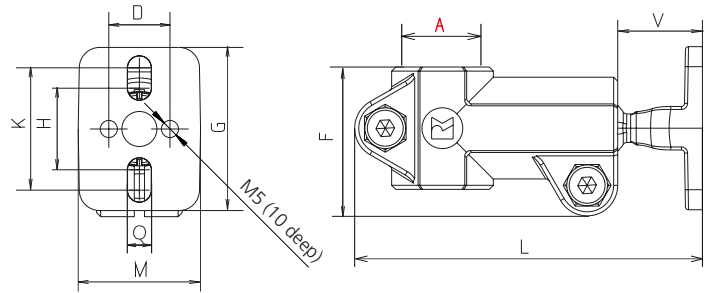
RK LightClamps – Ball joints

Order instruction:

- Purchase only in lot sizes and a multiple of that, see product table below
- Inserts and bushes for diameter/cross-section changes see accessories page 52
- Standard: equipped and preassembled with galvanised screws
- Clamping levers have to be ordered separately, delivery unassembled. See table last column and page 53

On request:

- Stainless screws

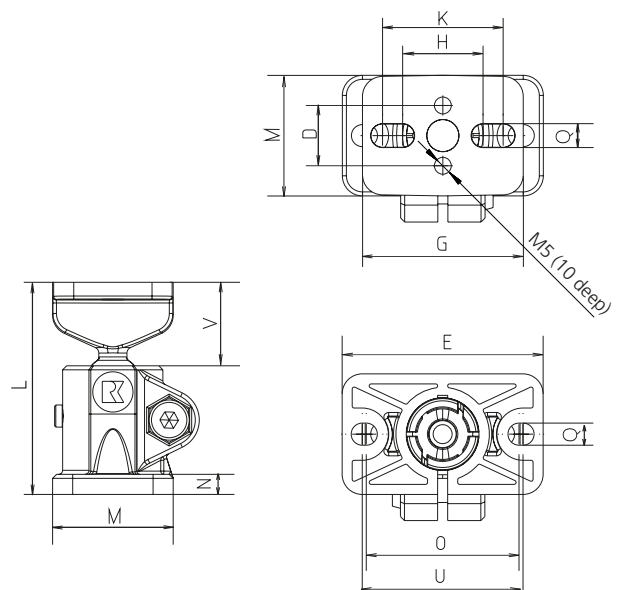


Angle clamp KGW-KU 18

[mm]

Code No.	Type	Clamping A*	D	F	G	H	K	L	M	Q	V	m [g]
K13518ACSR18	KGW-KU 18	18,1	15	30	40	20	30	85	30	5,5	21	63

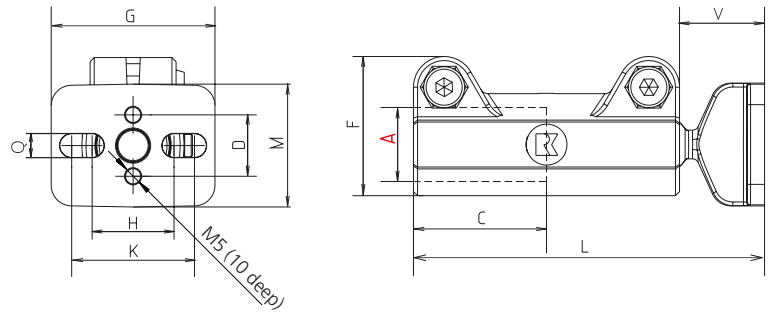
*Reduction of the diameter or cross section of the clamping with bushes possible (Accessories p. 52).



Base clamp KGFS-2-KU 18

[mm]

Code No.	Type	D	E	G	H	K	L	M	N	O	Q	U	V	m [g]
K33518ACS	KGFS-2-KU 18	15	50	40	20	30	53	30	5	38	5,5	40	21	49

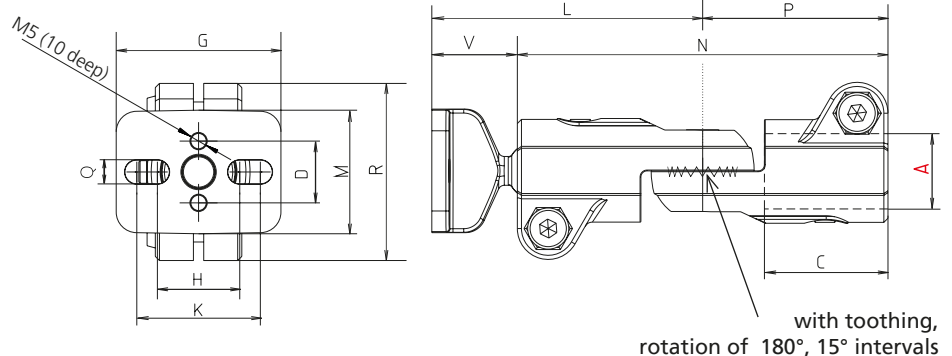


Sleeve clamp KGM-KU 18

[mm]

Code No.	Type	Clamping A*	C	D	F	G	H	K	L	M	V	Q	m [g]
K43518ACSR18	KGM-KU 18	18,1	32,5	15	34	40	20	30	86	30	21	5,5	63

*Reduction of the diameter or cross section of the clamping with bushes possible (Accessories p. 52).



Hinge clamp KGGPZ-KU 18

[mm]

Code No.	Type	Clamping A*	C	D	G	H	K	L	M	N	P	Q	R	V	m [g]
K83518ACSR18	KGGPZ-KU 18	18,1	30	15	40	20	30	66	30	90	45	5,5	43	21	80

*Reduction of the diameter or cross section of the clamping with bushes possible (Accessories p. 52).

Medium	resistant	conditionally resistant	not resistant
Acetic acid		●	
Aqua regia			○
Benzene + Fuel	●		
Benzole	●		
Brake fluid	●		
Butane	●		
Butanol	●		
Butyl acetate	●		
Carbon Tetrachloride	●		
Caustic soda	●		
Chloroflourocarbon	●		
Chloroform		●	
Cresol		●	
Dekalin	●		
Dibutyl phthalate	●		
Diesel	●		
Dimethylformamide		●	
Diocyl phthalate	●		
Dioxan	●		
Engine oils	●		
Ethanol		●	
Fats + Waxes	●		
Fatty acids	●		
Gear oil	●		
Glycol		●	
Glysantin	●		
Glycerine	●		
Heating oil	●		
Heptane, Hexane	●		
Hydraulic oil	●		
Hydrochloric acid			○
Isopropanol	●		
Isooctane	●		
Methanol		●	
Methylene chloride			○
Mineral oils		●	
Naphthalene	●	●	
Ozone			○
Phenol		●	
Phosphoric acid		●	

Medium	resistant	conditionally resistant	not resistant
Potassium hypochloride			○
Sulphuric acid			○
Silicone oil	●		
Styrolene	●		
Tetrahydrofurane	●		
Toluol	●		
Trichlorethylene		◐	
Water	●		
Xylene		◐	

This table is valid for all the clamping elements of the RK Light-Clamps programme.
The indications in the table are provided without guarantee, being the materials behaviour under real application conditions affected by different factors i.e. temperature, substance concentration, short-term or permanent presence of chemicalp.

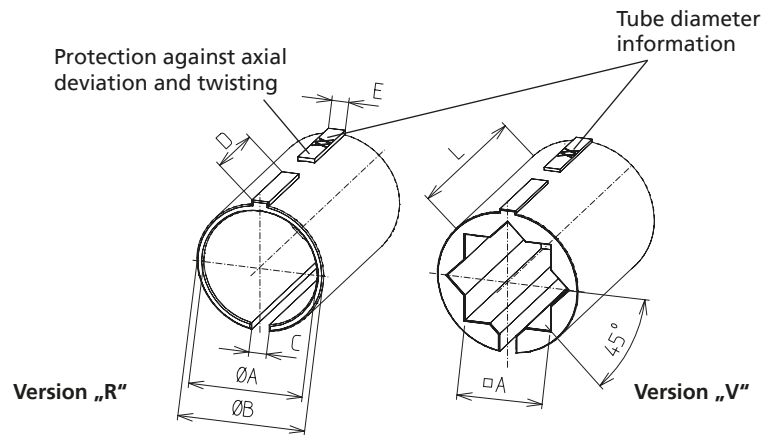
Material	Reinforced polyamide
Working temperature	always
0°C bis 80°C	temporary
-30°C bis 120°C	



RK LightClamps – Accessories

Order instruction:

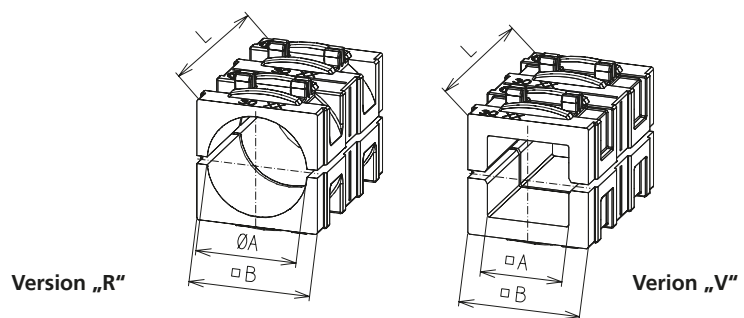
- Purchase only in lot sizes and a multiple of that, see product table below



Reducing bushes for single-pcs elements

[mm]

Code No.	Type	Version	lot sizes	A + 0,1	B	C	D	E	L
96200AC	12-18	R12	10, 20, 30... pcs	12,25	18	2,5	11,9	2,4	30
96209AC	12-18	R13	10, 20, 30... pcs	13,25	18	2,5	11,9	2,4	30
96201AC	12-18	R14	10, 20, 30... pcs	14,25	18	2,5	11,9	2,4	30
96202AC	12-18	R15	10, 20, 30... pcs	15,25	18	2,5	11,9	2,4	30
96203AC	12-18	R16	10, 20, 30... pcs	16,25	18	2,5	11,9	2,4	30
96205AC	12-18	V10	10, 20, 30... pcs	10,25	18	2,5	11,9	2,4	30
96204AC	20-30	R20	5, 10, 15... pcs	20,25	30	3,5	18,9	3,4	45
96206AC	20-30	R25	5, 10, 15... pcs	25,25	30	3,5	18,9	3,4	45
96208AC	20-30	V20	5, 10, 15... pcs	20,25	30	3,5	18,9	3,4	45



Reducing inserts for multi-pcs elements

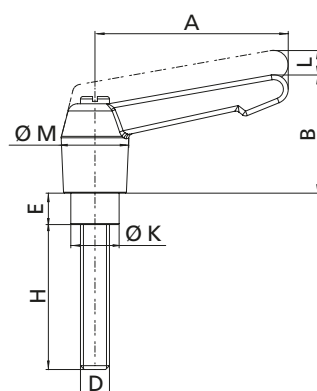
[mm]

Code No.	Type	Version	lot sizes	A	B	L
963000AC	20-30	R20	5, 10, 15... pcs	20,25	30,3	45
963002AC	20-30	R25	5, 10, 15... pcs	25,25	30,3	45
963004AC	20-30	R30	5, 10, 15... pcs	30,25	30,3	45
963001AC	20-30	V20	5, 10, 15... pcs	20,50	30,3	45
963003AC	20-30	V25	5, 10, 15... pcs	25,50	30,3	45

Clamping lever



(Symbolic representation)



The clamping lever enables the re-adjustment of the clamping element. This can be done by easy exchange of the cylinder screw.

By lifting the grip, the free movement of the serration toothing enables the clamping lever to swing into the desired position. The grip moves into its original position when released.

Material: Grip made of polyamide, black, screws made of stainless steel

Stainless steel (single-pcs elements)

[mm]

Code No.	Type	A	B	D	E	H	K	L	M
93024	12-18	40	26	M6	10	18	10	3,5	14,5
902381	20-30	65	35	M8	14	25	13	4	19,5



Screws – Steel, zinc-plated

[mm]

Code No.	Type	lot sizes	Size	Description
40061601	12-18	100, 200, 300... pcs	M6x18 / DIN 7984	Socket head cap screw
40061161			M6 / DIN 985	Hexagonal nut
40061801	20-30	100, 200, 300... pcs	M8x16 / DIN 7984	Socket head cap screw
40061851			M8x25 / DIN 7984	Socket head cap screw
40061181			M8 / DIN 985	Hexagonal nut

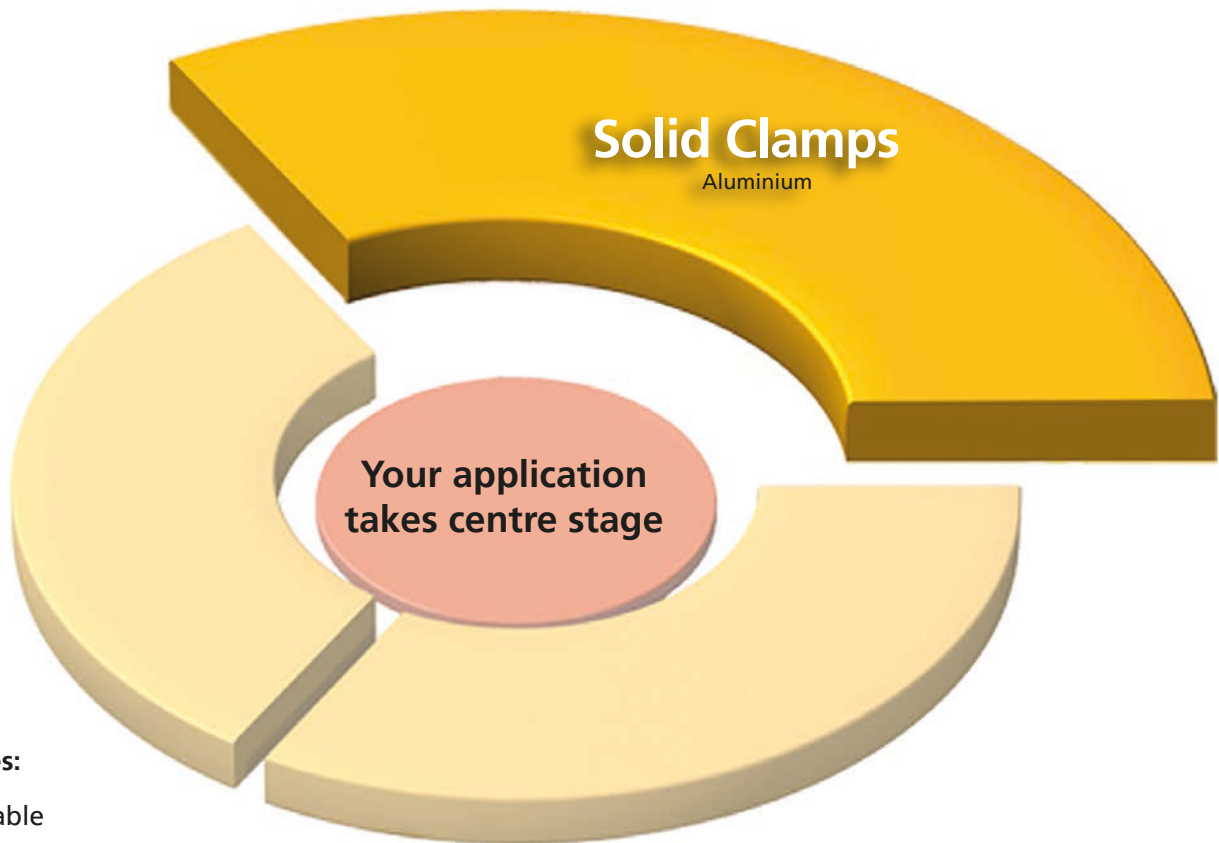
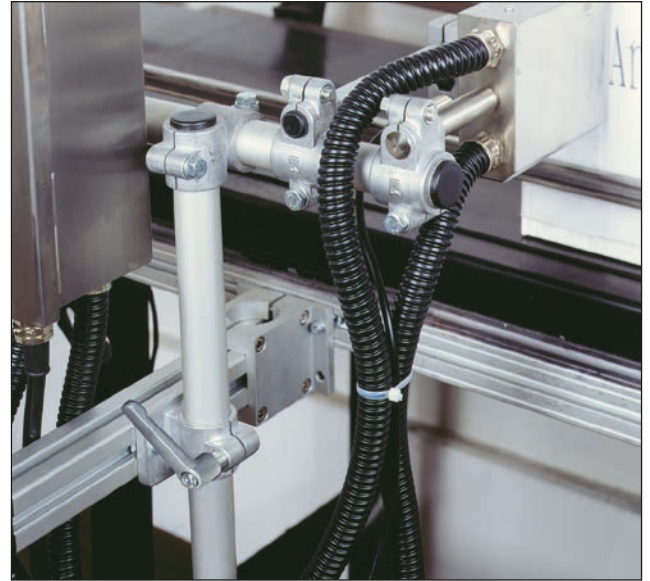
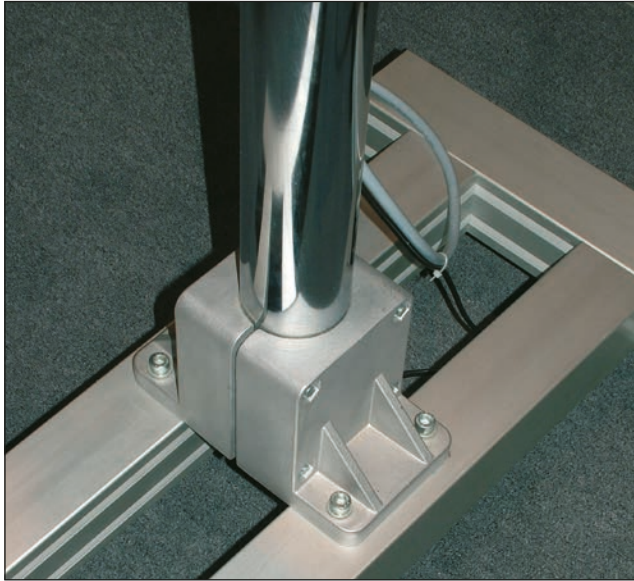


Screws – Stainless steel

[mm]

Code No.	Type	lot sizes	Size	Description
40091601	12-18	100, 200, 300... pcs	M6x18 / DIN 7984	Socket head cap screw
40091161			M6 / DIN 985	Hexagonal nut
40091801	20-30	100, 200, 300... pcs	M8x16 / DIN 7984	Socket head cap screw
40091851			M8x25 / DIN 7984	Socket head cap screw
40091181			M8 / DIN 985	Hexagonal nut

Solid Clamps Medium to heavy load range



Features:

- ✓ Reliable
- ✓ Solid
- ✓ Price/Performance optimised
- ✓ Great variety



...the precise connecting technology made of aluminium



Medium to heavy load range

Right angle tube connector.....Page 58

Axially parallel tube connector.....Page 138

Hinge tube connector.....Page 174

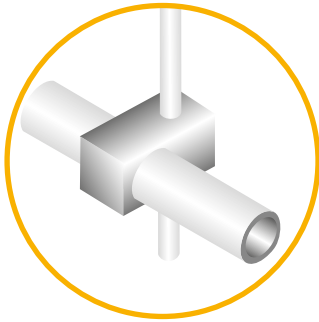
Accessories.....Page 216

Solid Clamps

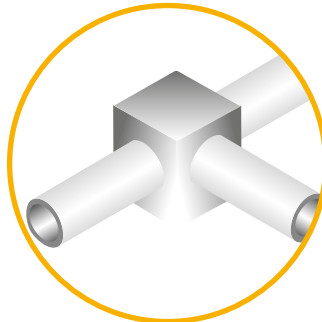


...the precise connecting technology made of aluminium

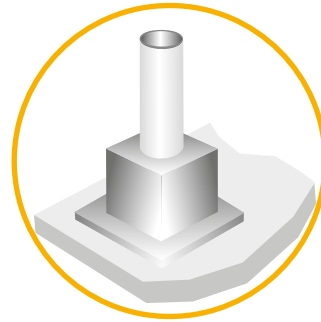
■ Right angle tube connector



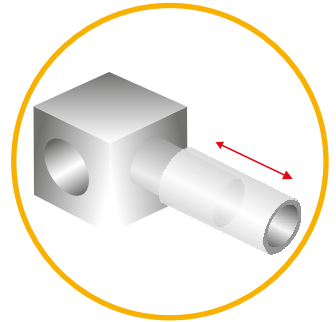
Cross clamps



Angle clamps

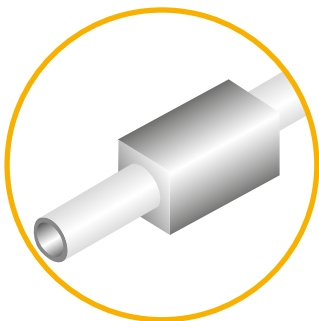


Base clamps

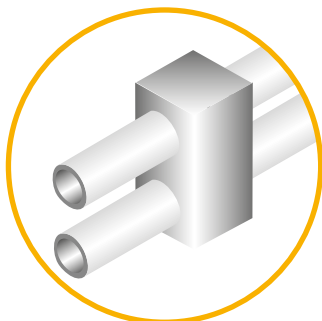


Insert clamps

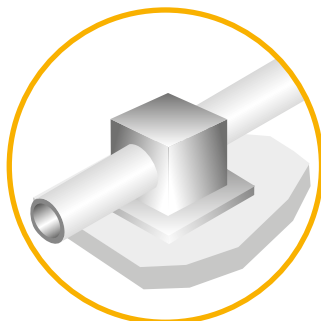
■ Axially parallel tube connector



Sleeve clamps

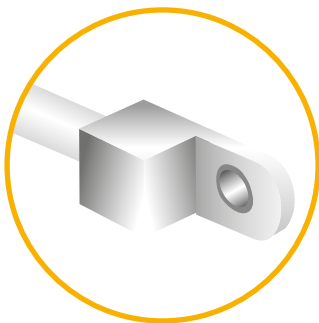


Parallel clamps

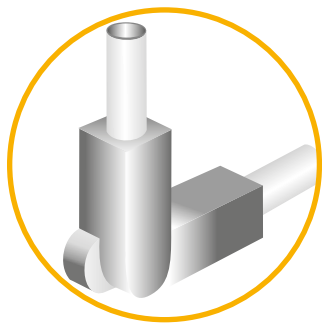


Flange clamps

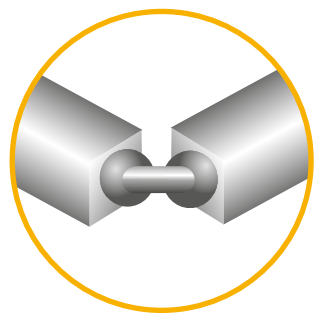
■ Hinge tube connector



Strap clamps

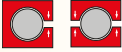
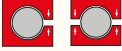
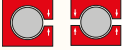


Hinge clamps

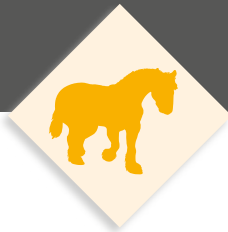


Ball joint clamps

Solid Clamps - table of contents

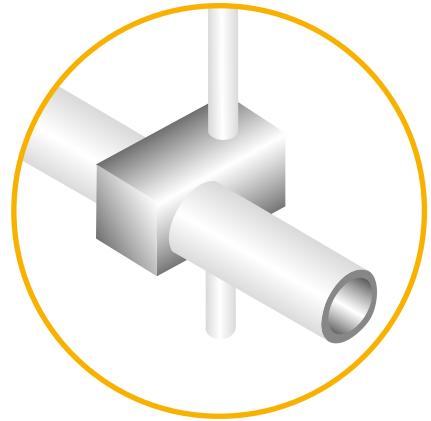
<p>Right angle tube connector (Single-piece and multi-piece elements)</p> 	<ul style="list-style-type: none"> ■ Cross clamps p. 58 ■ Angle Clamps p. 74 ■ Base clamps p. 96 ■ Insert clamps p. 118
<p>Axially parallel tube connector (Single-piece and multi-piece elements)</p> 	<ul style="list-style-type: none"> ■ Sleeve clamps p. 128 ■ Parallel clamps p. 138 ■ Flange clamps p. 145
<p>Hinge tube connector (Single-piece and multi-piece elements)</p> 	<ul style="list-style-type: none"> ■ Strap clamps p. 162 ■ Hinge clamps p. 174 ■ Ball joint clamps p. 196
<p>Accessories</p>	<ul style="list-style-type: none"> ■ Accessories total p. 216

Solid Clamps – Cross clamps



Version:

■ Cross clamps



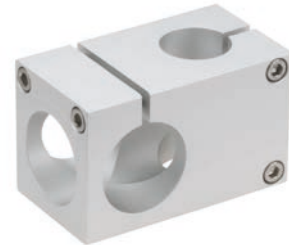
Single-piece elements

✓ For the quick and inexpensive installation



Industrial design

- Cast aluminium
- Great variety
- Single-piece elements



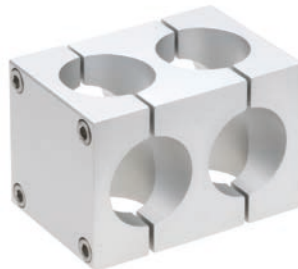
quad® elements

- Extruded aluminium
- Maximum torque loads
- High-quality anodized surface
- Single- and Multi-piece elements



Multi-piece elements

✓ Also suitable for subsequent assembly and expansion



quad® elements

- Extruded aluminium
- Maximum torque loads
- High-quality anodized surface
- Single- and Multi-piece elements



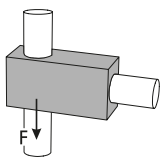
Block form

- Cast aluminium
- Higher torque loads
- Plain surface
- Multi-piece elements

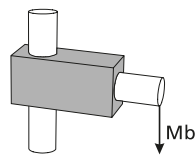
Loads cross clamps

Attention!

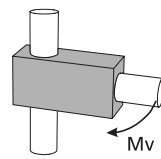
The data in the chart do not ensure a guarantee of quality or a warrant characteristic of our products. These are nonbinding standard values which might be not reached in individual cases due to the temperature or surface finish of the clamping profile.



Adhesion force F [kN]



Bending moment Mb [Nm]



Twisting moment Mv [Nm]

Tightening torque of clamping screws:

M6: 10 Nm
M8: 25 Nm
M10: 50 Nm

Material data sheet available upon request.

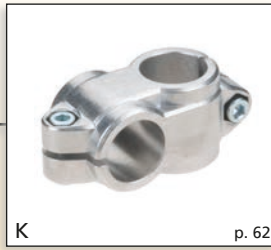
Size Type	18			30			40			50			60			80		
	F	Mb	Mv	F	Mb	Mv	F	Mb	Mv	F	Mb	Mv	F	Mb	Mv	F	Mb	Mv
Industrial design																		
K	2,2	126	24	5,8	368	84	4,8	750	43	12,7	1025	368	16	1900	497			
KD				6,9	420	92	9,0	1148	103	2	948	63	16	1900	359			
KR				7,0	396	49	5,5	866	43									
KVR						49	5,0	335	43									
KRR				6,7	713	93	5,5	1131	84									
KV				3,0	393	280	2,8	338	692									
KDVR				6,7	328	249	6,3	198	118									

Size Type	18			30			40			50			60			80		
	F	Mb	Mv	F	Mb	Mv	F	Mb	Mv	F	Mb	Mv	F	Mb	Mv	F	Mb	Mv
Block form																		
KR										9,4	1250	253						
KVR										9,4	1250	253						
KRR				5,1	831	99	5,7	512	114	9,4	1270	254	12,5	1625	261	11	1750	594
KV				2,6	425	429	3,1	512	698	5,9	823	743	7,8	1390	1208	18	1535	2183
KVRR				2,6	831	421	5,7	512	114	13,7	1270	254	7,6	1433	1191	18	1601	2275

Size Type	18			30			40			50			60			80		
	F	Mb	Mv	F	Mb	Mv	F	Mb	Mv	F	Mb	Mv	F	Mb	Mv	F	Mb	Mv
quad® elements																		
K				2	738	51	4,0	960	59	6,9	1250	167						
KD				1	847	61	5,3	1075	62	3,9	1250	59						
KRR				6	1139	50	7,6	1125	121	11,5	1250	272						
KRD				6	1045	41	7,6	1125	121	7,6	1250	121						
KVR				5	854	50	8,1	1001	121	7,5	1750	272						
KV				5	754	303	8,1	804	375	7,5	960	1207						

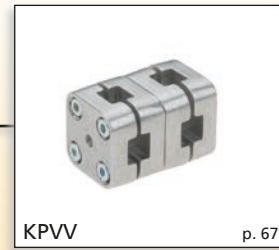
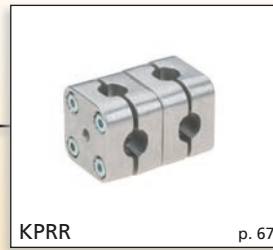
Solid Clamps – Cross clamps

Right angle tube connector

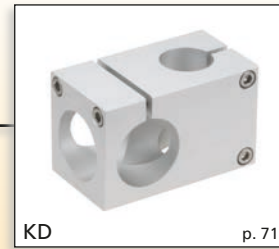
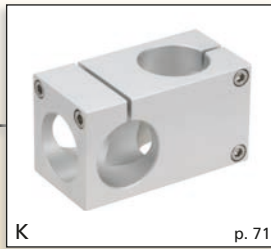


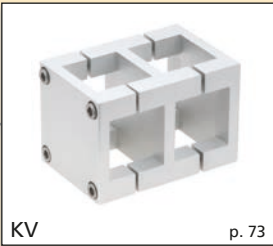
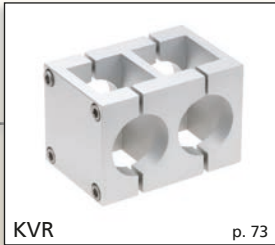
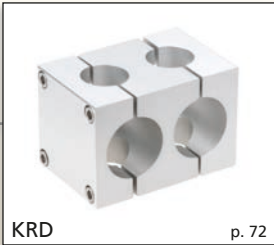
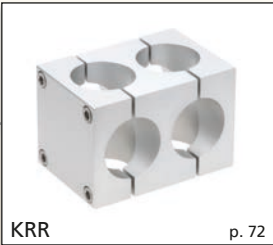
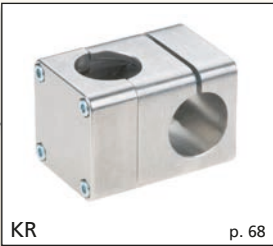
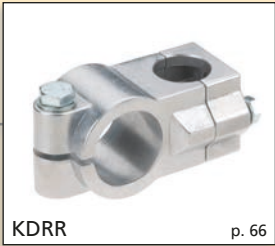
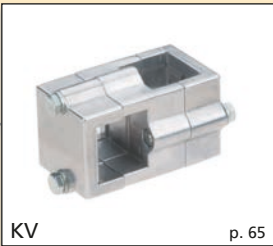
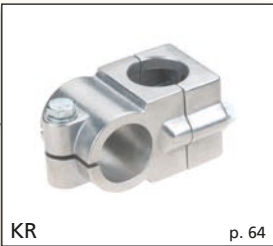
Industrial design

Block form



quad® elements





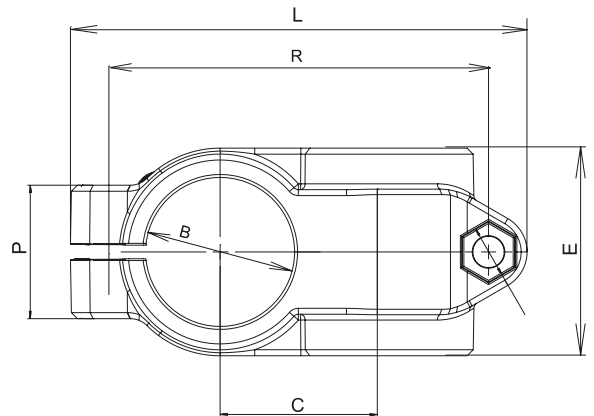
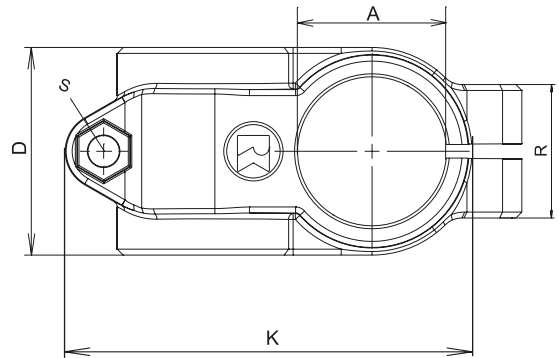
Solid Clamps – Cross clamps

Order instruction:

- Standard equipment premounted zinc plated screws
- Clamping levers have to be ordered separately
Delivery unassembled
See table last column and page 230

On request:

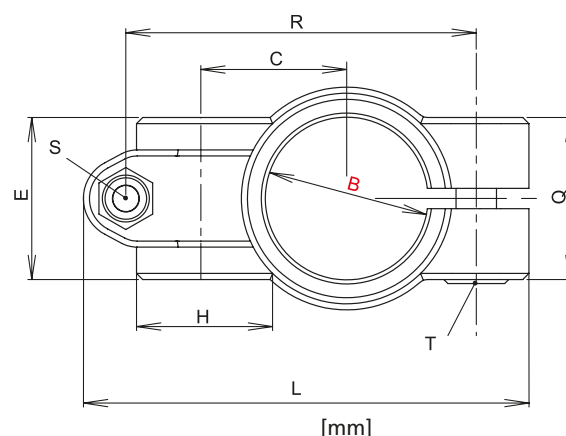
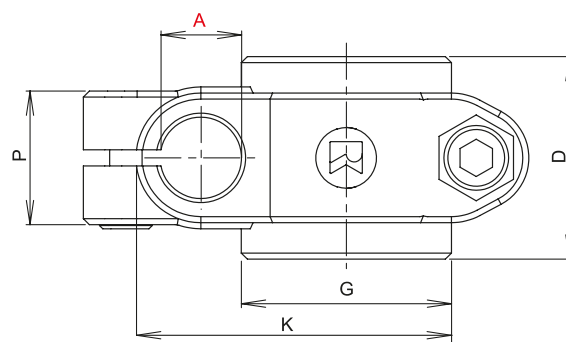
- Stainless steel screws
- Ball-polished
- Colour



K - Industrial design

[mm]

Code No.	Type	A	B	C	D	E	K	L	P	R	m [g]	Clamping lever S Code No.
101200000200	K 12	12,1	12,1	20	25,5	25,5	43,5	67	23	49	75	90209
101400000200	K 14	14,1	14,1								70	
101500000200	K 15	15,1	15,1								67	
101600000200	K 16	16,1	16,1								64	
101800000200	K 18	18,1	18,1								57	
102000000200	K 20	20,1	20,1	33	40	40	73	101	33	78	252	9022201
102500000200	K 25	25,1	25,1								217	
	K 28*	*With adapter sleeve R28, see accessories page 231										
103000000200	K 30	30,1	30,1	33	40	40	73	101	33	78	173	9022201
103020000200	K 30x20		20,1								195	
103025000200	K 30x25		25,1								195	
103002000200	K 30x32	30,1	30,1	45	60	60	100	137	40	111	665	90250
103200000200	K 32	32,17	32,17								665	
103500000200	K 35	35,17	35,17								617	
104000000200	K 40	40,17	40,17								527	
104200000200	K 42	42,22	42,22								907	
104800000200	K 48	48,22	48,22	53	70	70	118	154	45	128	755	90251
105000000200	K 50	50,2	50,2								699	
105040000200	K 50/40	50,22	40,17								827	
106000000200	K 60	60,27	60,25	65	80	80	142,5	190	58	158	1101	9025301
108000000200	K 80	80,35	80,35	90	120	120	200	255	82	210	3870	9027001



KD - Industrial design

Code No.	Type	A	B	C	D	E	G	H	K	L	P	Q	R	m [g]	Clamping lever Code No.	
															S	T
102012010200	KD 20x12	12,1	20,1	27	40	33	40	26	59	84	21	33	65	175	90209	9022201
102014010200	KD 20x14	14,1												172		
102015010200	KD 20x15	15,1												170		
102016010200	KD 20x16	16,1												168		
102018010200	KD 20x18	18,1												163		
102512010200	KD 25x12	12,1	25,1	27	40	33	40	26	59	84	21	33	65	154	90209	9022201
102514010200	KD 25x14	14,1												154		
102515010200	KD 25x15	15,1												152		
102516010200	KD 25x16	16,1												150		
102518010200	KD 25x18	18,1												146		
	KD 28x18*	With adapter sleeve R28, see accessories page 231														
103012010200	KD 30x12	12,1	30,1	27	40	33	40	26	59	84	21	33	65	135	90209	9022201
103014010200	KD 30x14	14,1												132		
103015010200	KD 30x15	15,1												130		
103016010200	KD 30x16	16,1												128		
103018010200	KD 30x18	18,1												124		
103220010200	KD 32x20	20	32,2	36	50	40	52	32	78	110	33	40	86,5	283	9022201	90250
103520010200	KD 35x20		35,2						78	98	28	43	80	257		
104020010200	KD 40x20	20,1	40,17	45	65	65	65	45	60	110	33	40	86,5	250	90251	90251
104030010200	KD 40(42)x30	30,1	40,17						65	65	65	45	60	137,5		
104230010200	KD 42x30	30,1	42,2	45	65	65	66	48	102	126	43	58	102	640	90251	90251
105025010200	KD 50x25	25,1	50,22	45	65	49	65	45	60	137,5	44	44	108,5	576	90251	90251
105030010200	KD 50x30	30,1												564		
106040010200	KD 60x40	40,22	60,27	60	80	70	75	65	130	180	58	53	148	1163	9025501	9025301
106048010200	KD 60x48	48,27	1059													
106050010200	KD 60x50	50,27	1027													
106250010200	KD 62x50		1027													

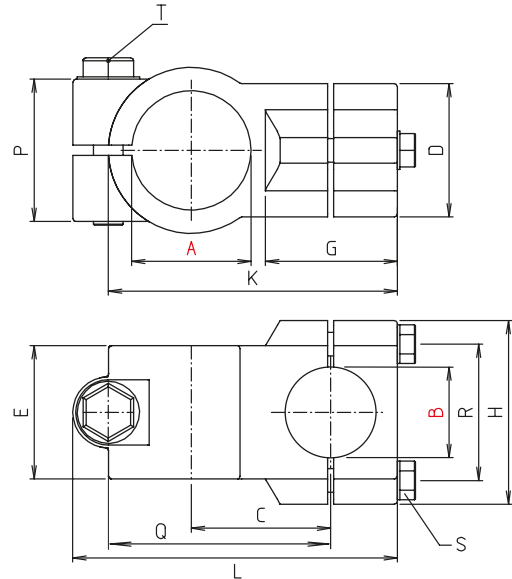
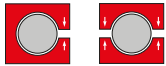
Solid Clamps – Cross clamps

Order instruction:

- Standard equipment premounted zinc plated screws
- Clamping levers have to be ordered separately. Delivery unassembled. See table last column and page 230

On request:

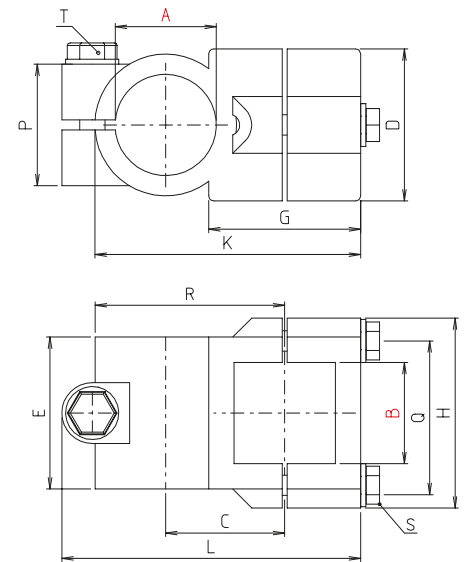
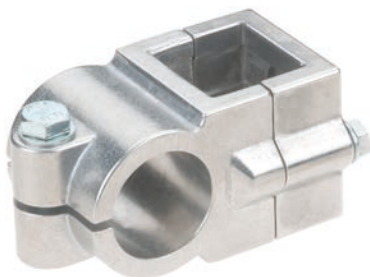
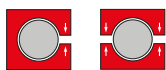
- Stainless steel screws
- Ball-polished
- Colour



KR - Industrial design

[mm]

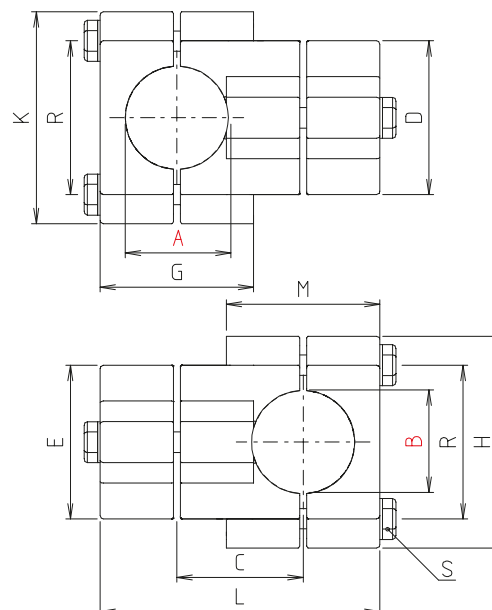
Code No.	Type	A	B	C	D	E	G	H	K	L	P	Q	R	m [g]	S	T
															Clamping lever Code No.	
102000020200	KR 20	20,1	20,1	33	45	45	40	62	76	86	33	55	46	338	9022401	9022401
102500020200	KR 25	25,1	25,1													
	KR 28*		30,1	*With adapter sleeve R28, see accessories page 231												
103000020200	KR 30	30,1	30,1	33	45	45	40	62	76	86	33	55	46	257	9022401	9022401
103500020200	KR 35	35,2	35,2	47	60	60	60	75	105	117	48	75	57	622	9022501	9024301
104000020200	KR 40	40,2	40,2											557		



KVR - Industrial design

[mm]

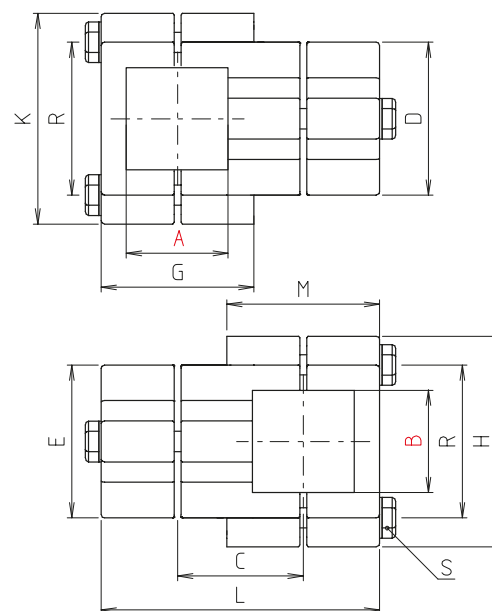
Code No.	Type	A	B	C	D	E	G	H	K	L	P	Q	R	m [g]	S	T
															Clamping lever Code No.	
102000040200	KVR 20	20,1	20,2	33	45	45	40	62	76	86	33	46	55	332	9022401	9022401
102500040200	KVR 25	25,1	25,2													
	KVR 28*		30,2	*With adapter sleeve R28, see accessories page 231												
103000040200	KVR 30	30,1	30,2	33	45	45	40	62	76	86	33	46	55	245	9022401	9022401
103500040200	KVR 35	35,2	35,3	47	60	60	60	75	105	117	48	57	75	599	9022501	9024301
104000040200	KVR 40	40,2	40,3											525		



KRR - Industrial design

[mm]

Code No.	Type	A	B	C	D	E	G	H	K	L	M	R	m [g]	Clamping lever S Code No.	
102500030200	KRR 25	25,2	25,2	38	45	45	45	64	64	83	45	46	369	9022501	
103000030200	KRR 30	30,2	30,2										352		
103500030200	KRR 35	35,2	35,2	50	60	60	61	77	77	111	61	57	668		9022801
104000030200	KRR 40	40,2	40,2										645		



KV - Industrial design

[mm]

Code No.	Type	A	B	C	D	E	G	H	K	L	M	R	m [g]	Clamping lever S Code No.
102000050200	KV 20	20,3	20,3	38	45	45	44	64	64	83	44	46	385	9022601
102500050200	KV 25	25,2	25,2										353	9022501
103000050200	KV 30	30,2	30,2	50	60	60	61	77	77	111	61	57	321	
103500050200	KV 35	35,3	35,3										637	
104000050200	KV 40	40,3	40,3	584										

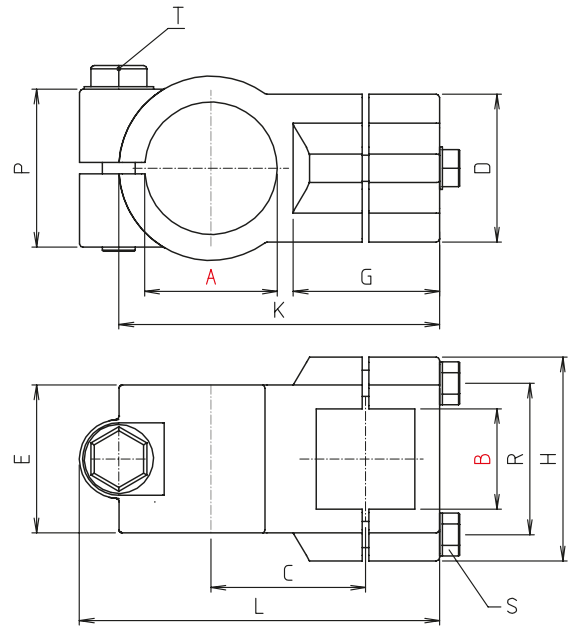
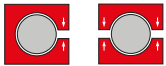
Solid Clamps – Cross clamps

Order instruction:

- Standard equipment premounted zinc plated screws
- Clamping levers have to be ordered separately
Delivery unassembled
See table last column and page 230

On request:

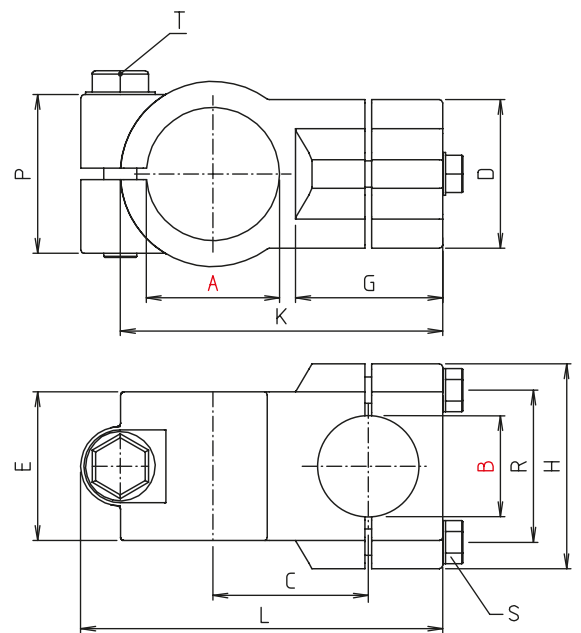
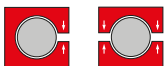
- Stainless steel screws
- Ball-polished
- Colour



KDVR - Industrial design

[mm]

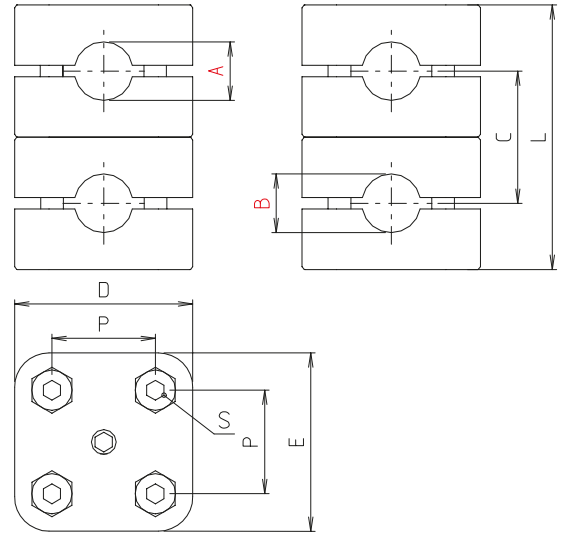
Code No.	Type	A	B	C	D	E	G	H	K	L	P	R	m [g]	S	T
														Clamping lever Code No.	
104020090200	KDVR 20-40	40,3	20,2	47	45	45	45	62	98	110	48	46	408	9022401	9024301
104025090200	KDVR 25-40		25,2												
104030090200	KDVR 30-40		30,2												



KDRR - Industrial design

[mm]

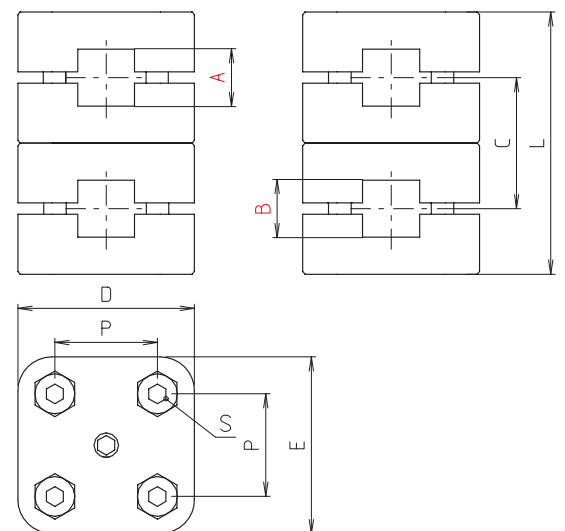
Code No.	Type	A	B	C	D	E	G	H	K	L	P	R	m [g]	S	T
														Clamping lever Code No.	
102040110200	KDRR 20-40	40,3	20	47	45	45	45	62	98	110	48	46	452	9022401	9024301
102540110200	KDRR 25-40		25,1												



KPRR - Block form

Code No.	Type	A	B	C	D	E	L	P	S	m [g]
290800000266	KPRR 8	8	8	23	31	31	46	18	M4x18	97
291000000266	KPRR 10	10	10							93

[mm]



KPVV - Block form

Code No.	Type	A	B	C	D	E	L	P	S	m [g]
291000010266	KPVV 10	10	10	23	31	31	46	18	M4x18	88

[mm]

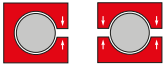
Solid Clamps – Cross clamps

Order instruction:

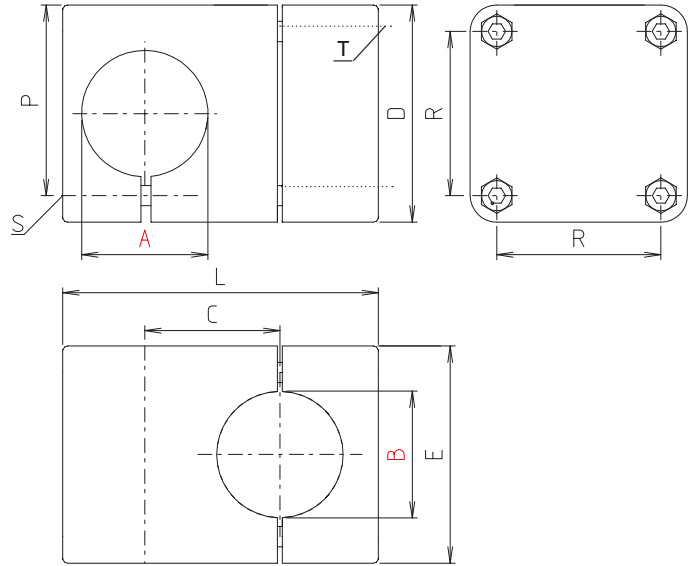
- Standard equipment premounted zinc plated screws
- Clamping levers have to be ordered separately
Delivery unassembled
See table last column and page 230

On request:

- Stainless steel screws
- Ball-polished
- Colour

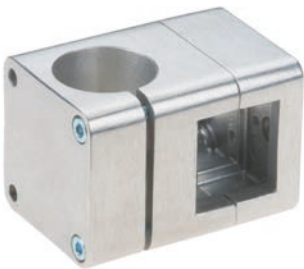
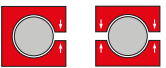


KR - Block form

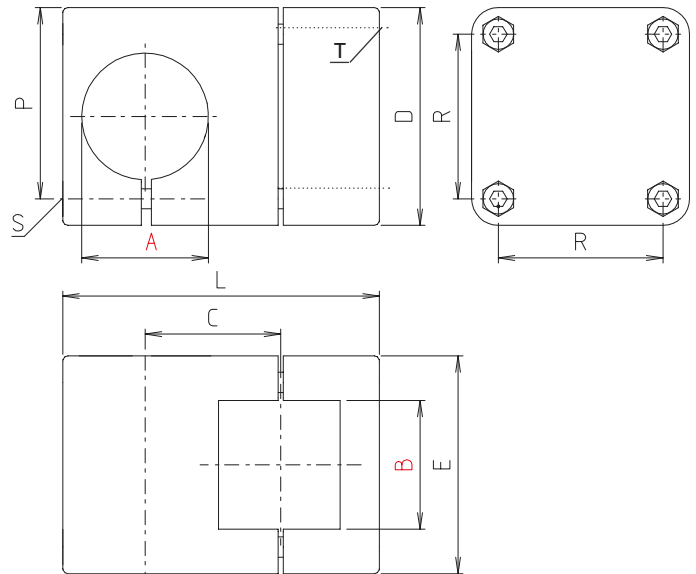


[mm]

Code No.	Type	A	B	C	D	E	L	P	R	m [g]	S	T
											Clamping lever Code No.	
204200020266	KR 42	42,2	42,2	53	86	86	126	73	65	1367	9022601	9022701
204500020266	KR 45	45,2	45,2									
204800020266	KR 48	48,2	48,2									
205000020266	KR 50	50,2	50,2									

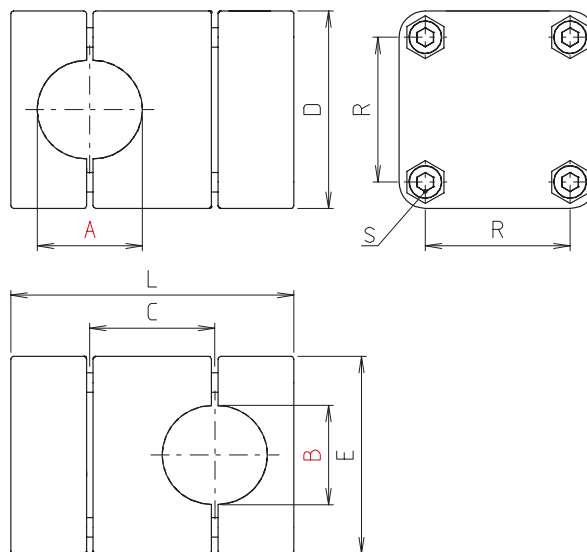


KVR - Block form

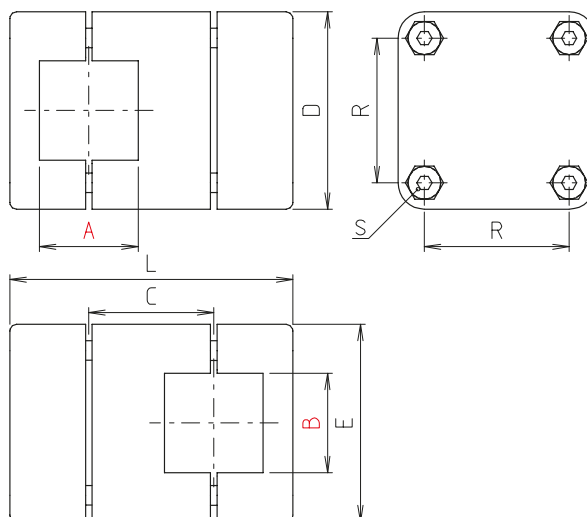


[mm]

Code No.	Type	A	B	C	D	E	L	P	R	m [g]	S	T
											Clamping lever Code No.	
204850040266	KVR 48/50	48,2	50,5	53	86	86	126	73	65	1199	9022601	9022701
205000040266	KVR 50	50,2										


KRR - Block form


										[mm]
Code No.	Type	A	B	C	D	E	L	R	m [g]	Clamping lever S Code No.
203000030266	KRR 30	30,2	30,2	38	60	60	86	44	450	9021301
204000030266	KRR 40	40,3	40,3	50	70	70	112	53	688	9021501
204200030266	KRR 42	42,3	42,3	70	86	86	149	65	1614	9022801
204500030266	KRR 45	45,3	45,3						1579	
204800030266	KRR 48	48,3	48,3						1550	
205000030266	KRR 50	50,3	50,3						1520	
206000030266	KRR 60	60,4	60,4						80	
208000030266	KRR 80	80,5	80,5	122	130	130	244	100	5075	9024601


KV - Block form


										[mm]
Code No.	Type	A	B	C	D	E	L	R	m [g]	Clamping lever S Code No.
203000050266	KV 30	30,2	30,2	38	60	60	86	44	329	9021301
204000050266	KV 40	40,4	40,4	50	70	70	112	53	661	9021501
205000050266	KV 50	50,5	50,5	70	86	86	149	65	1427	9022801
206000050266	KV 60	60,6	60,6	80	100	100	170	78	1950	
208000050266	KV 80	80,7	80,7	122	130	130	244	100	4850	9024601

Solid Clamps – Cross clamps

Order instruction:

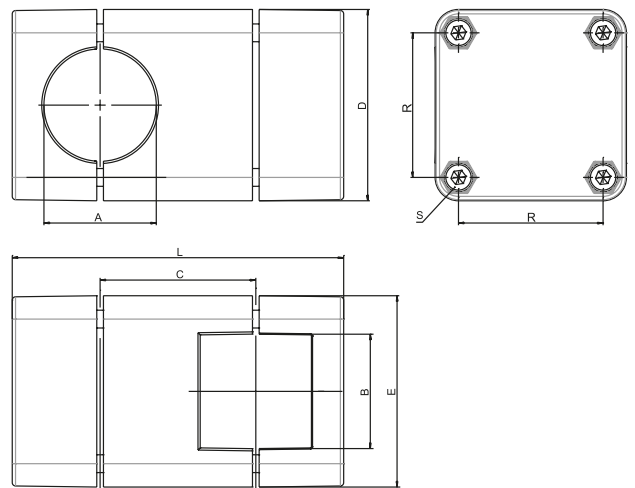
- Block form zinc plated screws Quad® with stainless steel screws
- Clamping levers have to be ordered separately
Delivery unassembled
See table last column and page 230

On request:

- Stainless steel screws
- Ball-polished
- Colour

On request quad®:

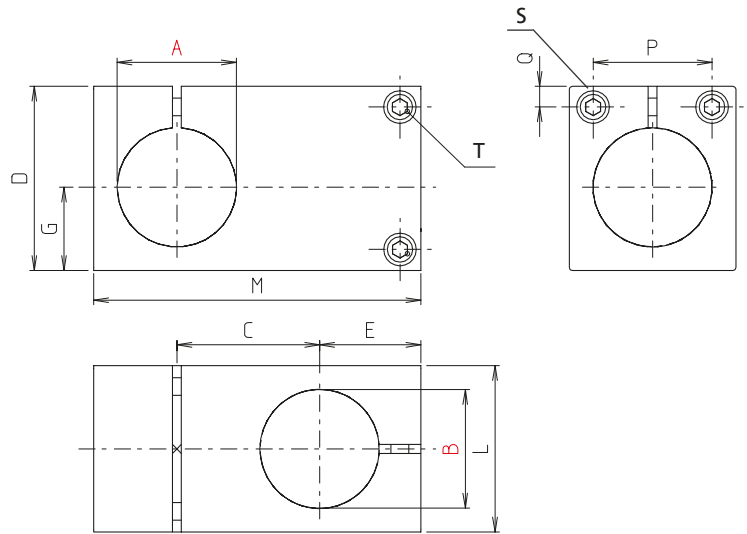
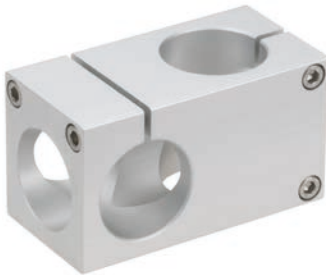
- Black anodized



KVRR - Block form

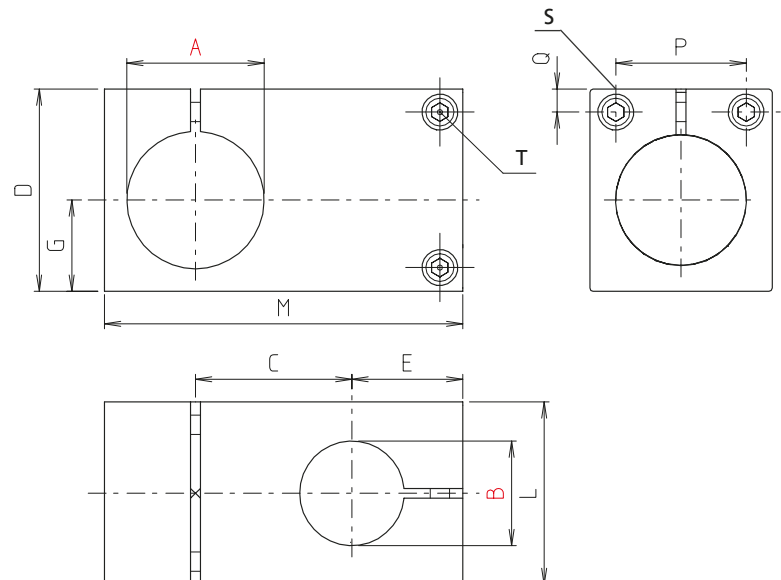
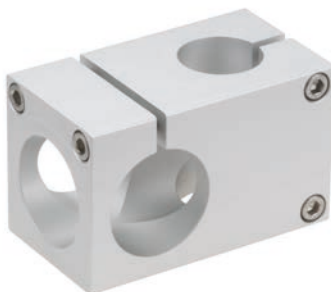
[mm]

Code No.	Type	A	B	C	D	E	L	R	m [g]	Clamping lever S Code No.
203000080266	KVRR 30	30,2	30,2	38	60	60	86	44	441	9021301
204000080266	KVRR 40	40,4	40,3	50	70	70	112	53	671	9021501
205000080266	KVRR 50	50,5	50,3	70	86	86	149	65	1477	9022801
206000080266	KVRR 60	60,6	60,4	80	100	100	170	78	1987	9022801
208000080266	KVRR 80	80,7	80,5	122	130	130	244	100	5075	9024601


K - quad®

[mm]

Code No.	Type	A	B	C	D	E	G	L	M	P	Q	m [g]	S	T
													Clamping lever Code No.	
503000000300	K 30	30,1	30,1	36	49	28	21	42	85	28	7	236	9301401	9300101
504000000300	K 40	40,1	40,1	48	62	34	28	56	110	42	7	490	9301701	9301401
505000000300	K 50	50,1	50,1	60	77	42	35	70	137	50	9	953	9300901	9301101


KD - quad®

[mm]

Code No.	Type	A	B	C	D	E	G	L	M	P	Q	m [g]	S	T
													Clamping lever Code No.	
503020010300	KD 30x20	30,1	20,1	31	49	23	21	42	75	28	7	229	9301401	9300101
504030010300	KD 40x30	40,1	30,1	43	62	29	28	56	100	42	7	477	9301701	9301401
505040010300	KD 50x40	50,2	40,2	55	77	37	35	70	127	52	9	926	9300401	9300401

Solid Clamps – Cross clamps

Order instruction:

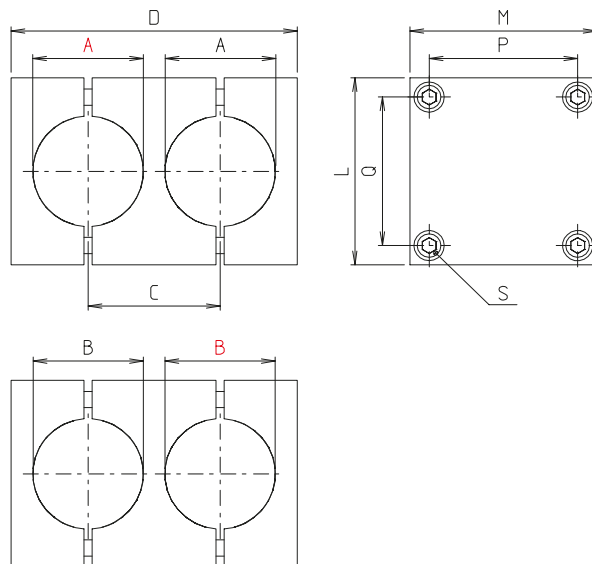
- Block form zinc plated screws
Quad® with stainless steel screws
- Clamping levers have to be ordered separately
Delivery unassembled
See table last column and page 230

On request:

- Stainless steel screws
- Ball-polished
- Colour

On request quad®:

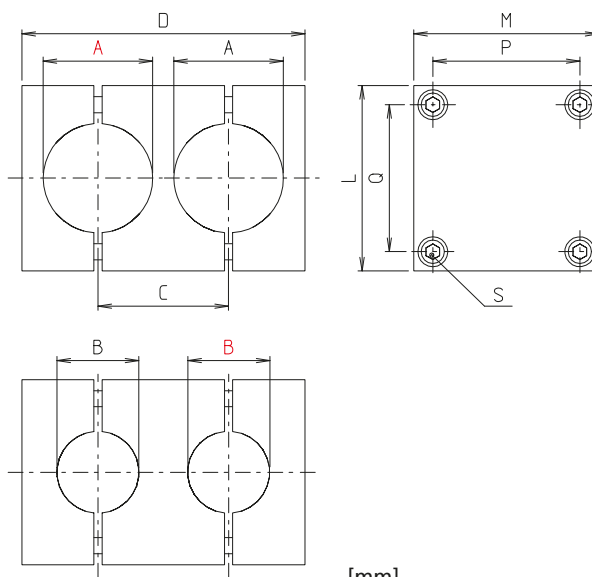
- Black anodized



KRR - quad®

[mm]

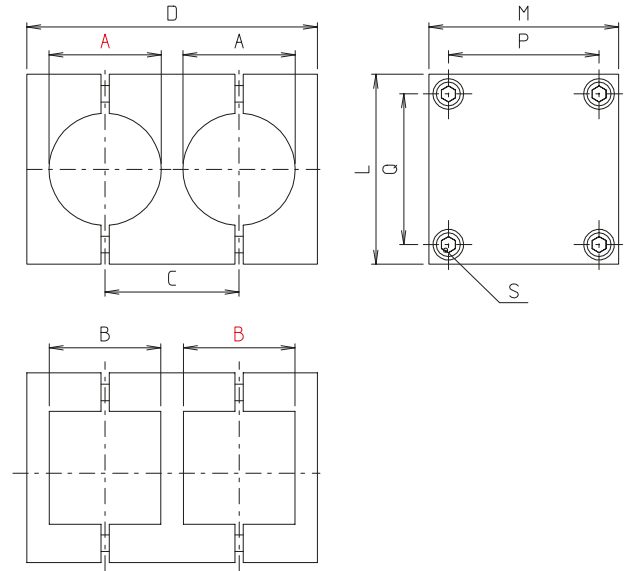
Code No.	Type	A	B	C	D	L	M	P	Q	m [g]	Clamping lever S Code No.
503000030300	KRR 30	30,1	30,1	36	78	56	56	42	42	346	9300101
504000030300	KRR 40	40,2	40,2	48	104	68	68	54	54	615	9301401
505000030300	KRR 50	50,3	50,3	60	130	85	85	67	67	1241	9300401
506000030300	KRR 60	60,3	60,3	72	169	105	105	85	85	-	9022801



KRD - quad®

[mm]

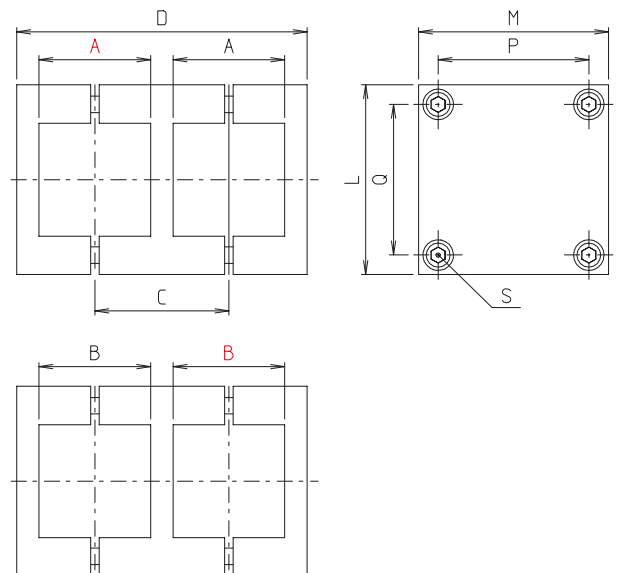
Code No.	Type	A	B	C	D	L	M	P	Q	m [g]	Clamping lever S Code No.
503020060300	KRD 30x20	30,1	20,1	36	78	56	56	42	42	414	9300101
504030060300	KRD 40x30	40,2	30,1	48	104	68	68	54	54	723	9301401
505040060300	KRD 50x40	50,3	40,2	60	130	85	85	67	67	1411	9300401
506050060300	KRD 60x50	60,3	50,4	72	169	105	105	85	85	-	9022801



KVR - quad®

[mm]

Code No.	Type	A	B	C	D	L	M	P	Q	m [g]	Clamping lever S Code No.
503000040300	KVR 30	30,1	30,2	36	78	56	56	42	42	301	9300101
504000040300	KVR 40	40,2	40,3	48	104	68	68	54	54	527	9301401
505000040300	KVR 50	50,3	50,4	60	130	85	85	67	67	1080	9300401
506000040300	KVR 60	60,3	60,4	72	169	105	105	85	85	-	9022801



KV - quad®

[mm]

Code No.	Type	A	B	C	D	L	M	P	Q	m [g]	Clamping lever S Code No.
503000050300	KV 30	30,2	30,2	36	78	56	56	42	42	277	9300101
504000050300	KV 40	40,3	40,3	48	104	68	68	54	54	477	9301401
505000050300	KV 50	50,4	50,4	60	130	85	85	67	67	961	9300401
506000050300	KV 60	60,4	60,4	72	169	105	105	85	85	-	9022801

Solid Clamps – Angle clamps

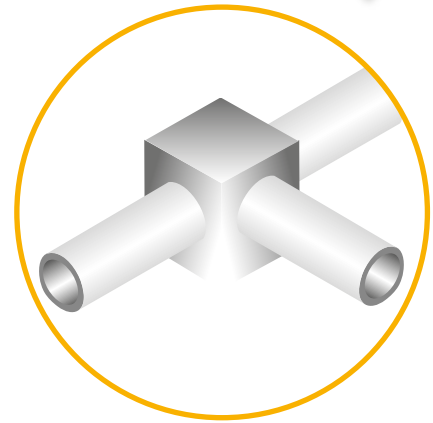


Version:

■ Angle clamps



delivery
from stock



Single-piece elements

✓ For the quick and inexpensive installation



Industrial design

- Cast aluminium
- Great variety
- Single-piece elements



quad® elements

- Extruded aluminium
- Maximum torque loads
- High-quality anodized surface
- Single- and Multi-piece elements



Multi-piece elements

✓ Also suitable for subsequent assembly and expansion



quad® elements

- Extruded aluminium
- Maximum torque loads
- High-quality anodized surface
- Single- and Multi-piece elements



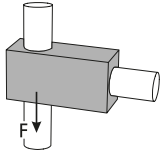
Block form

- Cast aluminium
- Higher torque loads
- Plain surface
- Multi-piece elements

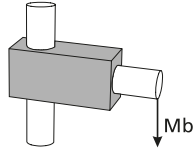
Loads angle clamps

Attention!

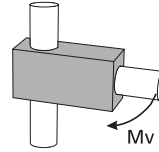
The data in the chart do not ensure a guarantee of quality or a warrant characteristic of our products. These are nonbinding standard values which might be not reached in individual cases due to the temperature or surface finish of the clamping profile.



Adhesion force F [KN]



Bending moment Mb [Nm]



Twisting moment Mv [Nm]

Tightening torque of clamping screws:

M6: 10 Nm
M8: 25 Nm
M10: 50 Nm

Material data sheet available upon request.

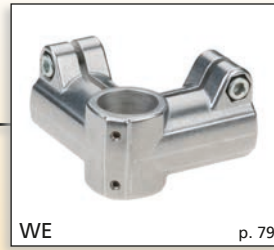
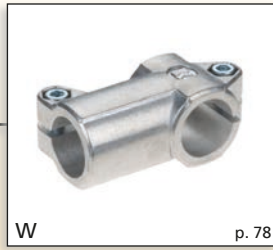
Size Type	18			30			40			50			60			80		
	F	Mb	Mv	F	Mb	Mv	F	Mb	Mv	F	Mb	Mv	F	Mb	Mv	F	Mb	Mv
Industrial design																		
W	1,1	189	20	6,6	447	104	4,3	1365	104	12,1	900	217	10,7	1388	299			
WV				3,3	413	345	4,3	464	546									
WR				5,1	870	59	5,1	1174	158									
WE				6,6	494	41	6,6	300	300	10,6	409	217						
WVT				3,3	144	345	2,6	765	546									
WRT				5,1	141	63	5,1	1174	120									

Size Type	18			30			40			50			60			80		
	F	Mb	Mv	F	Mb	Mv	F	Mb	Mv	F	Mb	Mv	F	Mb	Mv	F	Mb	Mv
Block form																		
WV				3,6	383	283	3,3	528	847	3	600	425	7,8	1197	917	11	3038	2400
WR				5,1	809	66	6,2	1560	44	9,8	1200	262	12,3	1500	255	19	950	601
WVT				3,6	149	283	3,3	793	847									
WRT				5,1	136	66	6,2	1560	44									
WK				4,9	594	41	4,9	1388	139	10	750	179	11,4	650	315			
WEV							1,2	493	844	5,9		678						
WER							0,7	883	37	8,7	1280	131						
WKR							6,1	1361	93	8,7	1250	272						
WERT							0,7	883	37	8,7	1280	131						
WEVT							1,2	686	844	5,9		678						

Size Type	18			30			40			50			60			80		
	F	Mb	Mv	F	Mb	Mv	F	Mb	Mv	F	Mb	Mv	F	Mb	Mv	F	Mb	Mv
quad® elements																		
W	4	634	61	7,8	960	68	5,8	1788	159									
WR	5	1650	168	7,6	960	128	11,8	2200	272									
WRT	5,7	1475	166	7,6	960	128	11,8	2200	272									
WKR	5,7	1365	172	7,5	1050	510	11,8	2200	272									
WVR	6,1	618	70	8,4	1050	128	7,5	1800	1800									
WRV	6,2	1000	325	7,5	1200	46	7,5	2200	272									
WER	6,1	1139	49	2,7	1020	450	11,8	2200	272									
WV	5	410	534	8,1	1212	450	7,5	2022	1800	20,1								
WVT	5,1	411	524	6,3	1229	450	7,5	2022	1800	20,1								
WKV	5,7	781	350	8,1	1256	459	7,5	2022	1800									
WEV	4,5	527	350	2,8	897		7,5	2022	1800									

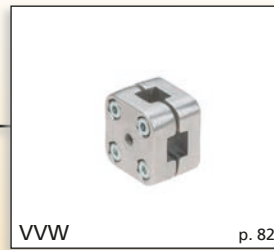
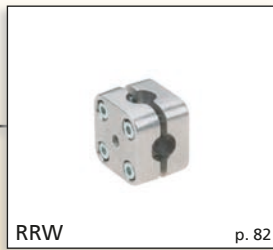
Solid Clamps – Angle clamps

Right angle tube connector

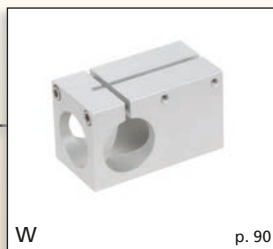


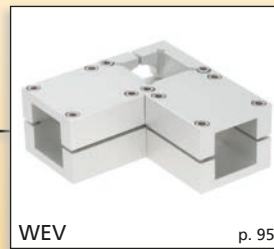
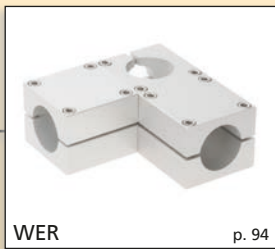
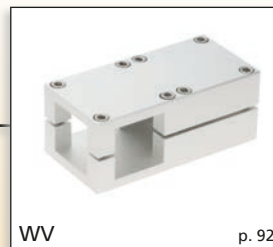
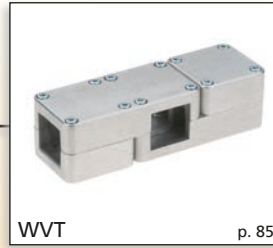
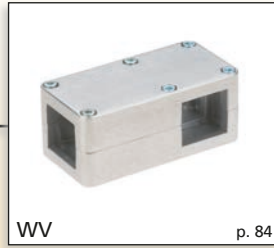
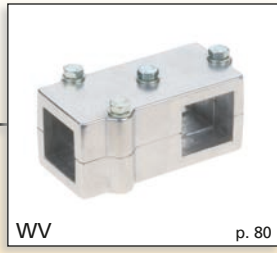
Industrial design

Block form



quad® elements





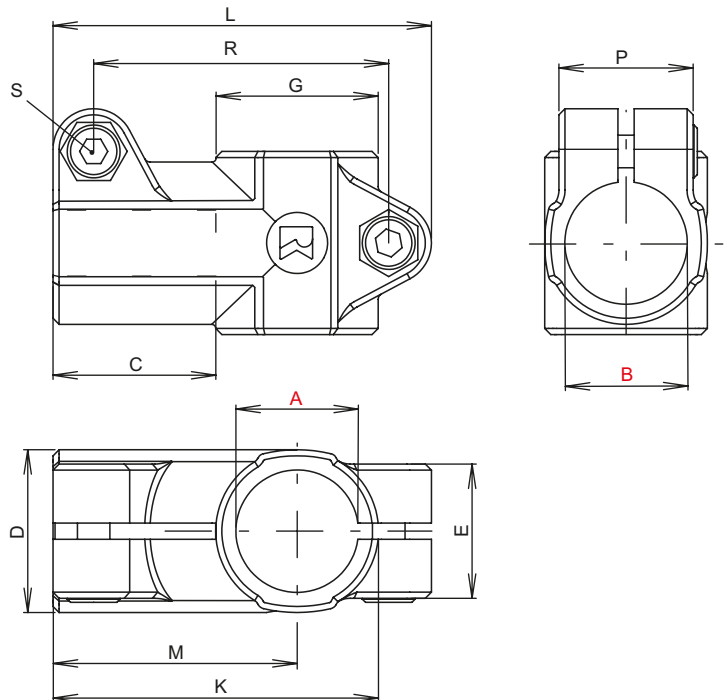
Solid Clamps – Angle clamps

Order instruction:

- Standard equipment premounted zinc plated screws
- Clamping levers have to be ordered separately
Delivery unassembled
See table last column and page 230

On request:

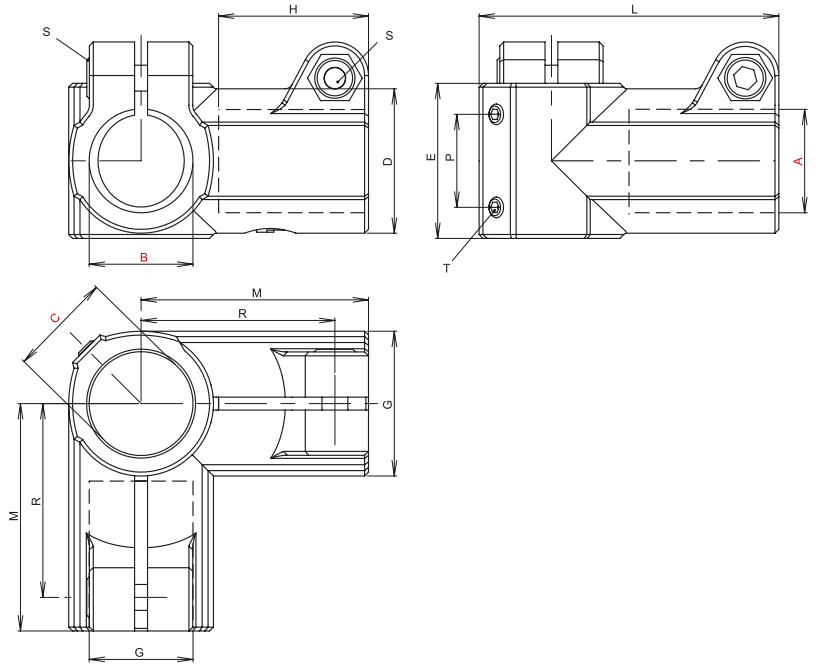
- Stainless steel screws
- Ball-polished
- Colour



W - Industrial design

[mm]

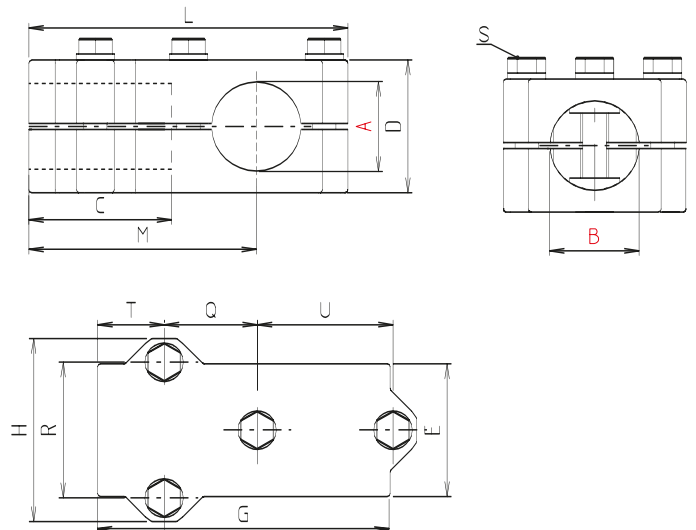
Code No.	Type	A	B	C	D	E	G	K	L	M	P	R	m [g]	Clamping lever S Code No.
111200000200	W 12	12,1	12,1										97	90209
111400000200	W 14	14,1	14,1										90	
111500000200	W 15	15,1	15,1	28	25	23	25	56	66	43	23	49	87	
111600000200	W 16	16,1	16,1										83	
111800000200	W 18	18,1	18,1										75	
112000000200	W 20	20,1	20,1	38	40	33	40	80	93	60	33	72,5	278	9022201
112500000200	W 25	25,1	25,1										240	
	W 28*	*With adapter sleeve R28, see accessories page 231												
113000000200	W 30	30,1	30,1	38	40	33	40	80	93	60	33	72,5	192	9022201
113200000200	W 32	32,2	32,2	55	56	40	56	116	134	88	40	108	680	90250
113500000200	W 35	35,15	35,15										623	
114000000200	W 40	40,15	40,15										530	
114800000200	W 48	48,22	48,22	63	66	45	66	131	149	98	45	123	759	90251
115000000200	W 50	50,22	50,22										705	
116000000200	W 60	60,27	60,27	78	80	58	80	160	183	120	58	151	1340	9025301
118000000200	W 80	80,35	80,35	121,7	110	123	110	231,7	259	176,8	82	214	3750	9027001



WE - Industrial design

[mm]

Code No.	Type	A	B	C	D	E	G	H	L	M	R	m [g]	T	Clamping lever S Code No.
	WE28*			30	*With adapter sleeve R28, see accessories page 231									
1130000602005	WE 30	30,1	30,1	30	40	45	40	38	80	60	49	250	M8x15	9022201
1140000602005	WE 40	40,15	40,15	40,15	56	60	56	58	116	88	70	708	M8x10	90250
1150000602005	WE 50	50,22	50,22	50,22	66	70	66	70	136	108	90	710	M10x15	90251



WR - Industrial design

[mm]

Code No.	Type	A	B	C	D	E	G	H	L	M	Q	R	T	U	m [g]	Clamping lever S Code No.
112500030200	WR 25	25,2	25,2	46	45	45	100	62	108	77	31,5	46	23	46	418	9022501
113000030200	WR 30	30,2	30,2												388	
113500030200	WR 35	35,2	35,2	60	60	60	129	75	136	99	40	57	30	57	770	9022801
114000030200	WR 40	40,2	40,2												738	

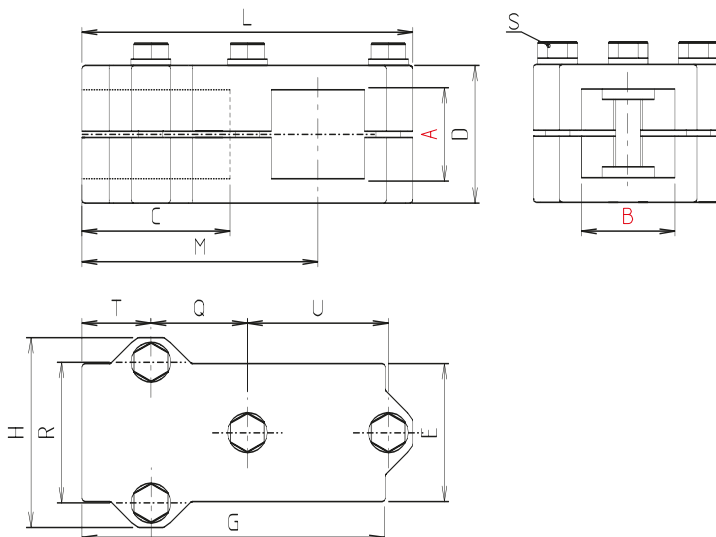
Solid Clamps – Angle clamps

Order instruction:

- Standard equipment premounted zinc plated screws
- Clamping levers have to be ordered separately
Delivery unassembled
See table last column and page 230

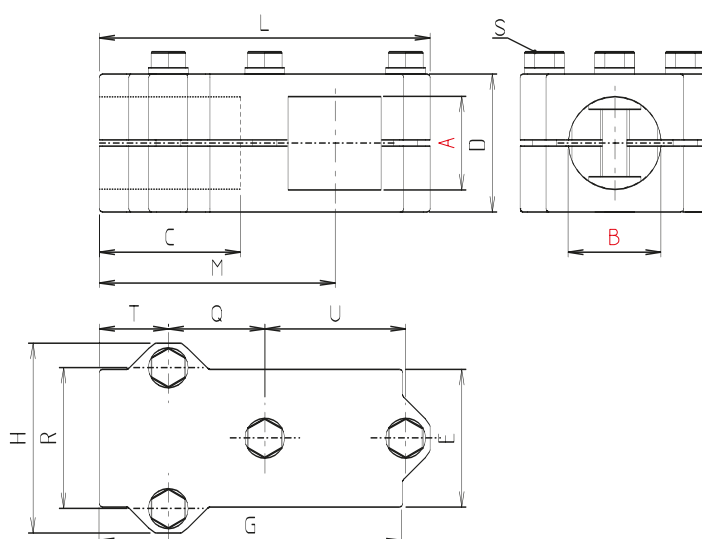
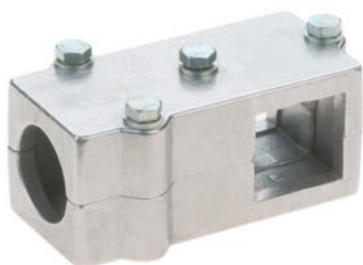
On request:

- Stainless steel screws
- Ball-polished
- Colour



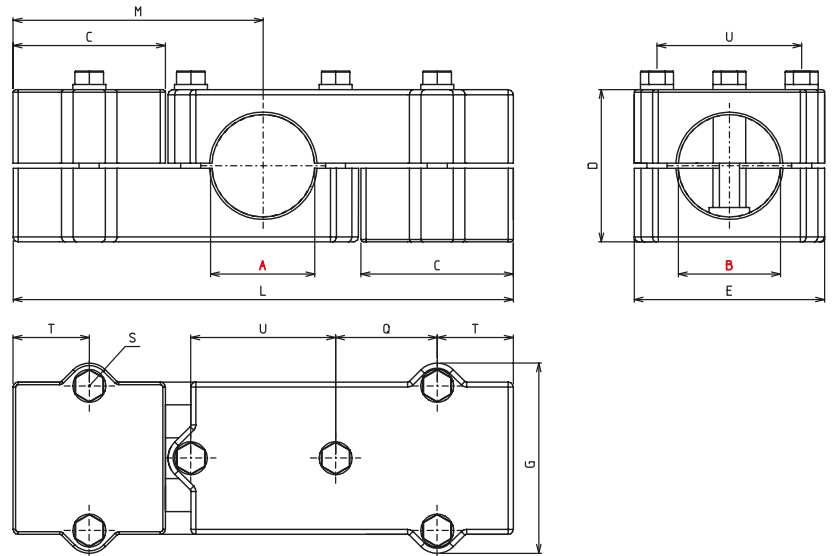
WV - Industrial design

Code No.	Type	A	B	C	D	E	G	H	L	M	Q	R	T	U	m [g]	Clamping lever S Code No.
112500050200	WV 25	25,3	25,3	46	45	45	100	62	108	77	31,5	46	23	46	389	9022501
113000050200	WV 30	30,3	30,3												361	
113500050200	WV 35	35,4	35,4	60	60	60	129	75	136	99	40	57	30	57	731	9022801
114000050200	WV 40	40,4	40,4												722	



WVR - Industrial design

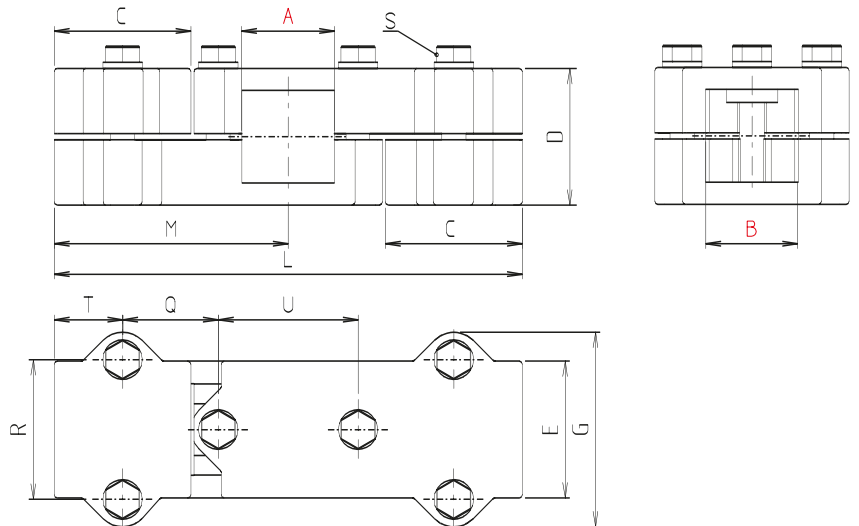
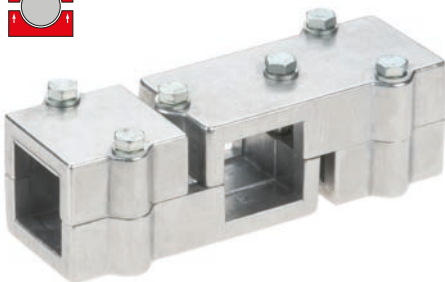
Code No.	Type	A	B	C	D	E	G	H	L	M	Q	R	T	U	m [g]	Clamping lever S Code No.
113000040200	WVR 30	30,3	30,2	46	45	45	100	62	108	77	31,5	46	23	46	358	9022501
114000040200	WVR 40	40,4	40,2	60	60	60	129	75	136	99	40	57	30	57	698	9022801



WRT - Industrial design

[mm]

Code No.	Type	A	B	C	D	E	G	L	M	Q	R	T	U	m [g]	Clamping lever S Code No.
1125001002000	WRT 25	25,2	25,2	46	45	45	62	154	77	31,5	46	23	46	621	9022501
1130001002000	WRT 30	30,2	30,2	46	45	45	62	154	77	31,5	46	23	46	585	
1135001002000	WRT 35	35,2	35,2	60	60	60	75	196	99	40	57	30	57	1148	9022801
1140001002000	WRT 40	40,2	40,2	60	60	60	75	196	99	40	57	30	57	1104	



WVT - Industrial design

[mm]

Code No.	Type	A	B	C	D	E	G	L	M	Q	R	T	U	m [g]	Clamping lever S Code No.
1125001102000	WVT 25	25,3	25,3	46	45	45	62	154	77	31,5	46	22,5	46	601	9022501
1130001102000	WVT 30	30,3	30,3	46	45	45	62	154	77	31,5	46	22,5	46	549	
1135001102000	WVT 35	35,4	35,4	60	60	60	75	196	99	40	57	30	57	1084	9022801
1140001102000	WVT 40	40,4	40,4	60	60	60	75	196	99	40	57	30	57	1044	

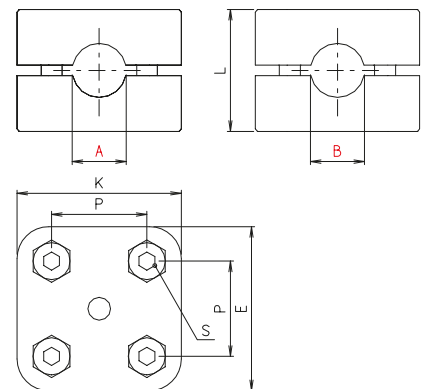
Solid Clamps – Angle clamps

Order instruction:

- Standard equipment premounted zinc plated screws
- Clamping levers have to be ordered separately
Delivery unassembled
See table last column and page 230

On request:

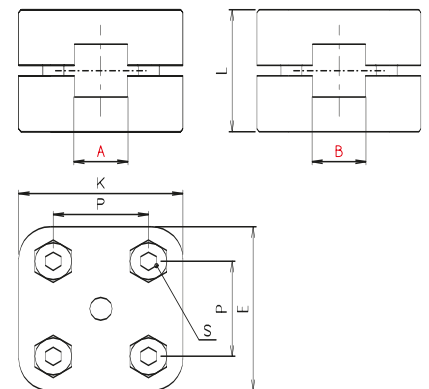
- Stainless steel screws
- Ball-polished
- Colour



RRW - Block form

[mm]

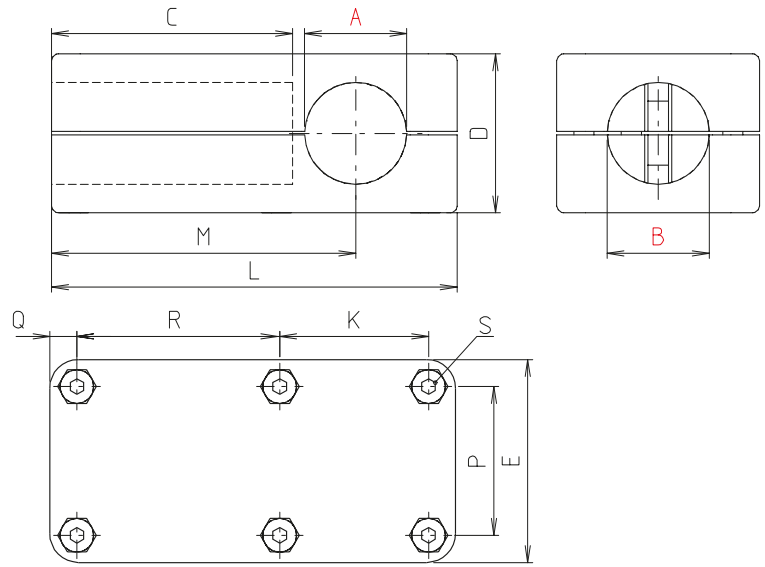
Code No.	Type	A	B	E	K	L	P	S	m [g]
290800040266	RRW 8	8	8	31	31	23	18	M4x18	47
291000040266	RRW 10	10	10						46



VVW - Block form

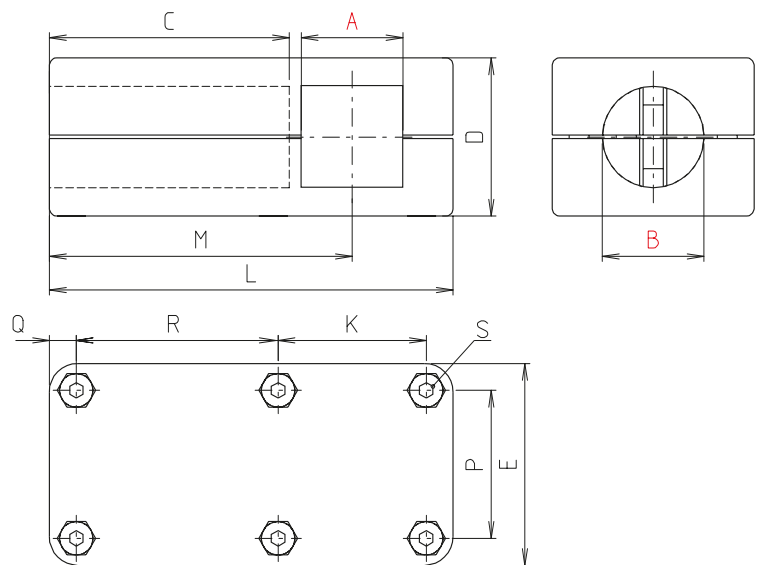
[mm]

Code No.	Type	A	B	E	K	L	P	S	m [g]
291000050266	VVW 10	10	10	31	31	23	18	M4x18	42


WR - Block form

[mm]

Code No.	Type	A	B	C	D	E	K	L	M	P	Q	R	m [g]	Clamping lever S Code No.
213000030266	WR 30	30,2	30,2	60	48	60	44	120	90	44	8	44	499	9021401
213500030266	WR 35	35,3	35,3	70	62	70	53	140	105	53	9	55	782	9021601
214000030266	WR 40	40,2	40,2										750	
214200030266	WR 42	42,3	42,3	86	79	86	70	161	118	65	11	70	1579	9022901
214500030266	WR 45	45,3	45,3										1535	
214800030266	WR 48	48,3	48,3										1528	
215000030266	WR 50	50,3	50,3	100	90	100	84	190	140	78	11	84	2015	9023001
216000030266	WR 60	60,4	60,4										1490	9024601
218000030266	WR 80	80,5	80,5	130	122	130	100	260	195	100	15	100	5030	


WVR - Block form

[mm]

Code No.	Type	A	B	C	D	E	K	L	M	P	Q	R	m [g]	Clamping lever S Code No.
215000150266	WVR 50	50,3	50,3	86	79	86	70	161	118	65	11	70	1410	9022901
216000150266	WVR 60	60,4	60,4	100	90	100	84	190	140	78	11	84	1920	9023001

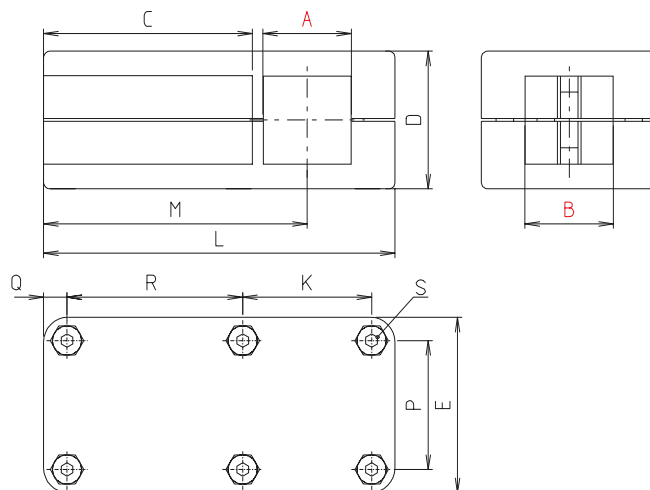
Solid Clamps – Angle clamps

Order instruction:

- Standard equipment premounted zinc plated screws
- Clamping levers have to be ordered separately
Delivery unassembled
See table last column and page 230

On request:

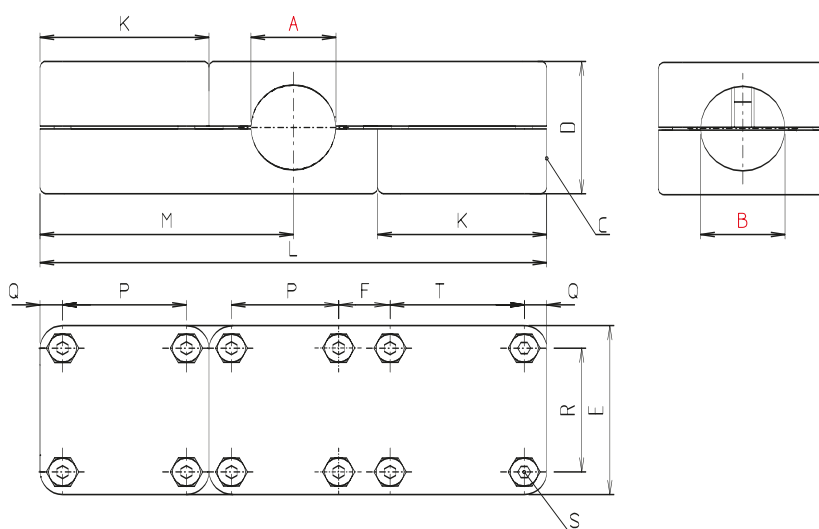
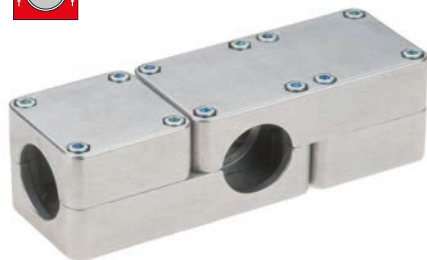
- Stainless steel screws
- Ball-polished
- Colour



WV - Block form

[mm]

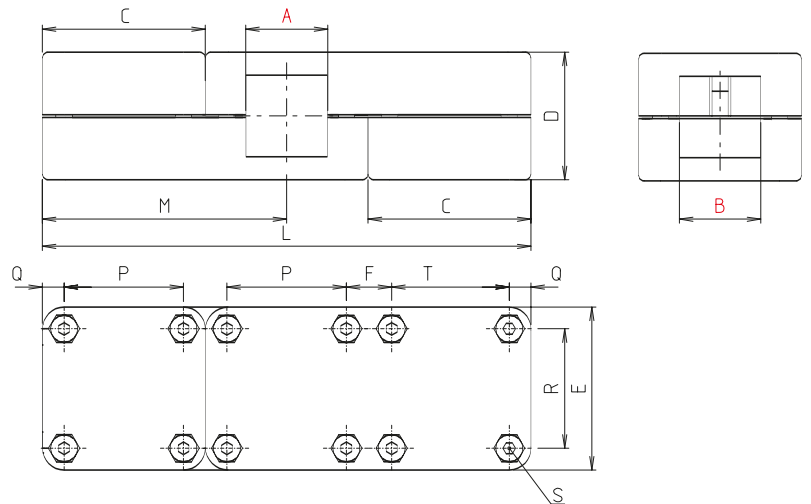
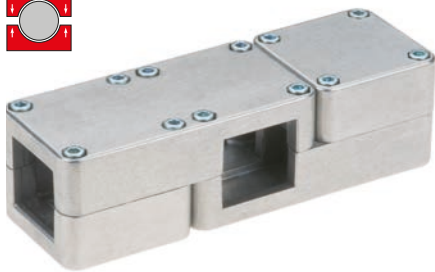
Code No.	Type	A	B	C	D	E	K	L	M	P	Q	R	m [g]	Clamping lever S Code No.
213000050266	WV 30	30,3	30,3	60	48	60	44	120	90	44	8	60	482	9021401
213500050266	WV 35	35,4	35,4	70	62	70	53	140	105	53	9	70	765	9021601
214000050266	WV 40	40,4	40,4										716	
215000050266	WV 50	50,5	50,5	86	79	86	70	161	118	65	11	70	1406	9022901
216000050266	WV 60	60,6	60,6	100	90	100	84	190	140	78		84	1925	9023001
218000050266	WV 80	80,7	80,7	130	122	130	115	260	195	100	15	115	4680	9024601



WRT - Block form

[mm]

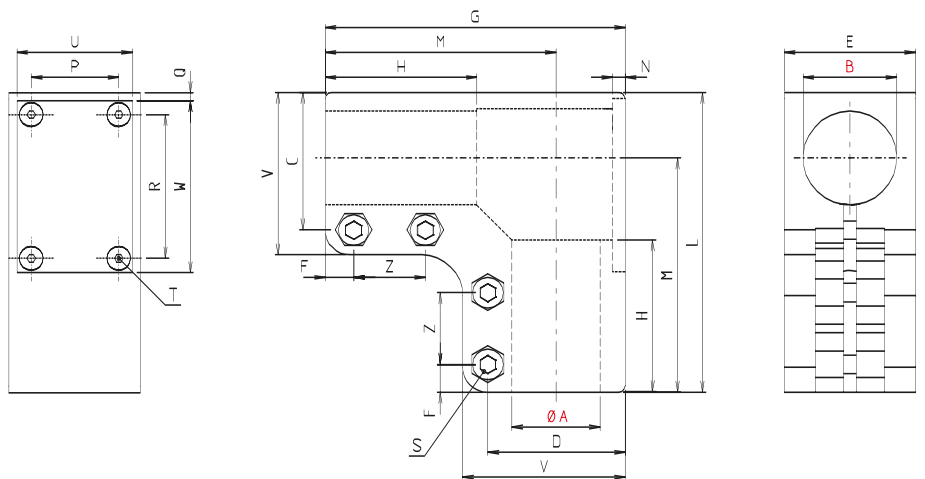
Code No.	Type	A	B	C	D	E	F	K	L	M	P	Q	R	T	m [g]	Clamping lever S Code No.
213000100266	WRT 30	30,2	30,2	30	48	60	15	60	180	90	44	8	44	44	753	9021401
214000100266	WRT 40	40,2	40,2	40	62	70	0	70	210	105	53	9	53	53	1151	9021601



WVT - Block form

[mm]

Code No.	Type	A	B	C	D	E	F	L	M	P	Q	R	T	m [g]	Clamping lever S Code No.
2130001102666	WVT 30	30,3	30,3	60	48	60	15	180	90	44	8	44	44	732	9021401
2140001102666	WVT 40	40,4	40,4	70	62	70	0	210	105	53	9	53	53	1080	9021601



WK - Block form

[mm]

Code No.	Type	A	B	C	D	E	F	G	H	K	L	M	N	P	Q	R	U	V	W	Z	T	m [g]	Clamping lever S Code No.
213000090266	WK 30	30,1	30,1	44	44	42	9	96	48	48	96	75	1	28	2,5	46	37	52	55	32	M4x6	449	9021301
214000090266	WK 40	40,2	40,2	70	70	54	12	128	65	65	128	100	2,5	38	2,5	61	49	70	74	43	M4x6	1008	9022501
214800090266	WK 48	48,2	48,2	70	70	65	12	148	75	75	148	115	2,5	49	2,5	71	60	80	84	58	M4x6	1533	9022701
215000090266	WK 50	50,2	50,2	70	70	65	12	148	75	75	148	115	2,5	49	2,5	71	60	80	84	58	M4x6	1474	9022801
216000090266	WK 60	60,3	60,3	80	80	80	25	170	110	110	170	130	4	-	-	-	-	80	-	0	-	2232	9024501

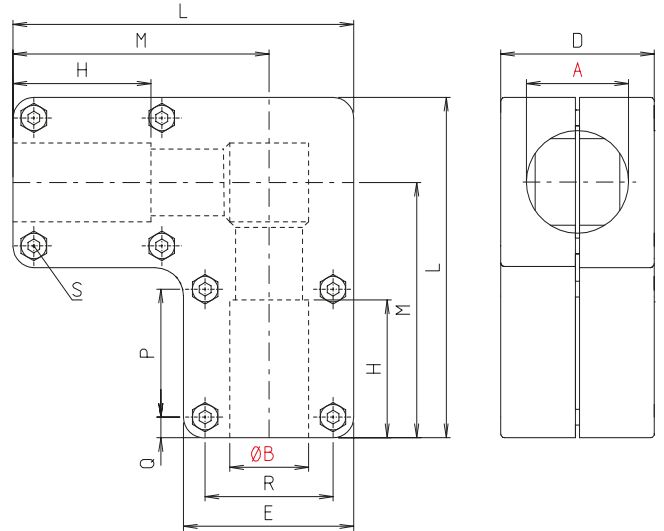
Solid Clamps – Angle clamps

Order instruction:

- Standard equipment premounted zinc plated screws
- Clamping levers have to be ordered separately
Delivery unassembled
See table last column and page 230

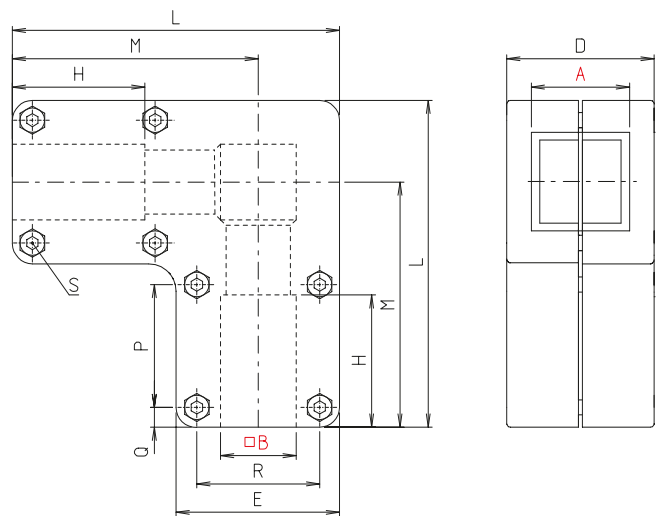
On request:

- Stainless steel screws
- Ball-polished
- Colour



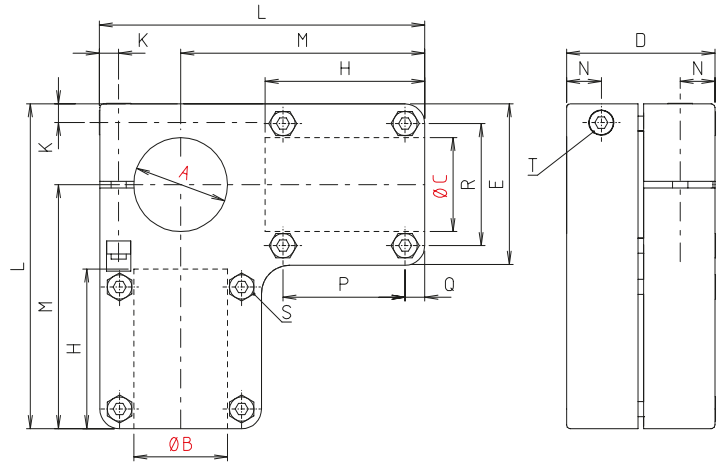
WKR - Block form

Code No.	Type	A	B	D	E	H	L	M	P	Q	R	m [g]	Clamping lever S Code No.
213200010266	WKR 32	32,2	32,2									1667	9021601
213500010266	WKR 35	35,2	35,2	62	70	70	141	106	53	8,5	53	1328	
214000010266	WKR 40	40,2	40,2									1230	
214200010266	WKR 42	42,3	42,3									2639	9022901
214800010266	WKR 48	48,3	48,3	76	86	85	173	130	65	10,5	65	2595	
215000010266	WKR 50	50,3	50,3									2380	



WKV - Block form

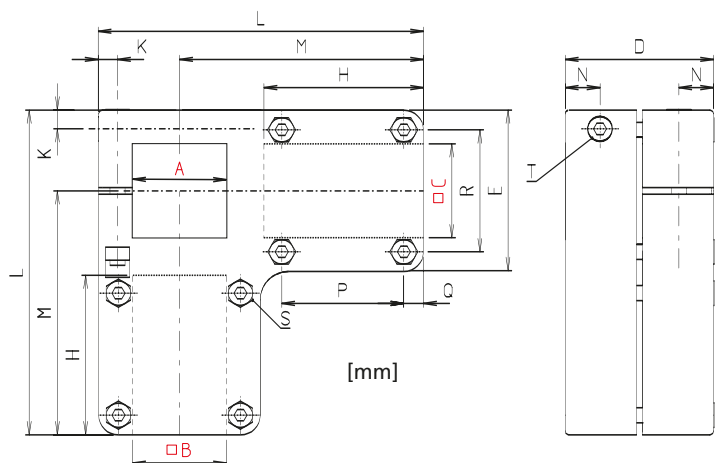
Code No.	Type	A	B	D	E	H	L	M	P	Q	R	m [g]	Clamping lever S Code No.
213500020266	WKV 35	35,4	35,4	62	70	70	141	106	53	8,5	53	1258	9021601
214000020266	WKV 40	40,4	40,4									1192	
215000020266	WKV 50	50,5	50,5	76	86	95	173	130	65	10,5	65	2320	9022901



WER - Block form

[mm]

Code No.	Type	A	B	C	D	E	H	K	L	M	N	P	Q	R	m [g]	S	T
																Clamping lever Code No.	
2132000702666	WER 32	32,2	32,2	32											1448		
2135000702666	WER 35	35,2	35,2	35	62	70	70	9	141	106	16	53	8,5	53	1340	9021601	9021601
2140000702666	WER 40	40,2	40,2	40											1275		
2145000702666	WER 45	45,2	45,3	45											2698		
2148000702666	WER 48	48,2	48,3	48	76	86	85	10	173	130	19	65	11	65	2644	9022901	9022901
2150000702666	WER 50	50,2	50,3	50											2520		



[mm]

WEV - Block form

Code No.	Type	A	B	C	D	E	H	L	M	P	Q	R	m [g]	S	T
														Clamping lever Code No.	
2135000802666	WEV 35	35,4	35,4	35									1286		
2140000802666	WEV 40	40,4	40,4	40	62	70	70	141	106	53	9	53	1205	9021601	9021601
2150000802666	WEV 50	50,5	50,5	51	76	86	85	173	130	65	11	65	2320	9022901	9022901

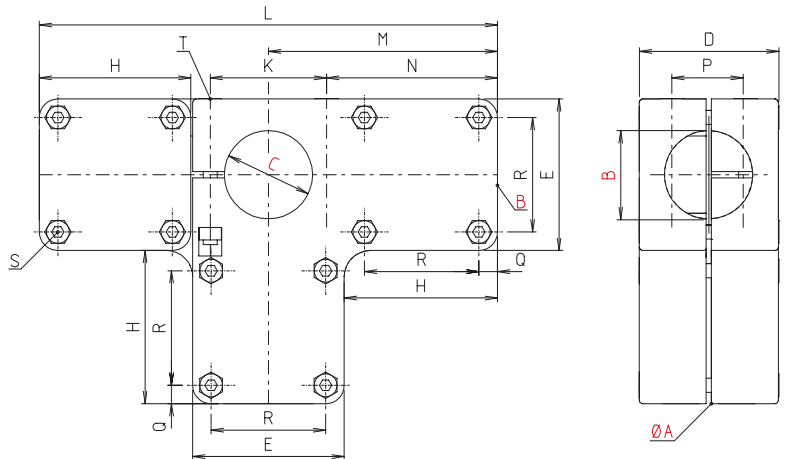
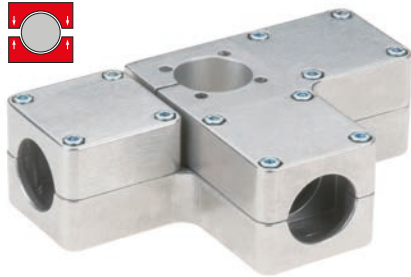
Solid Clamps – Angle clamps

Order instruction:

- Standard equipment premounted zinc plated screws
- Clamping levers have to be ordered separately
Delivery unassembled
See table last column and page 230

On request:

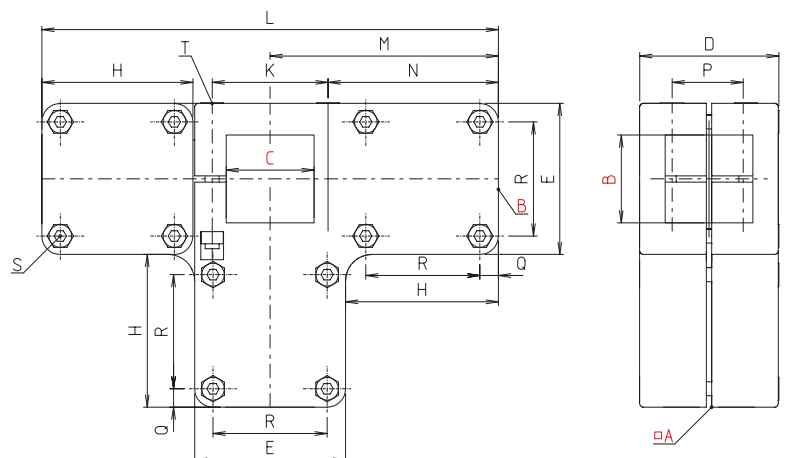
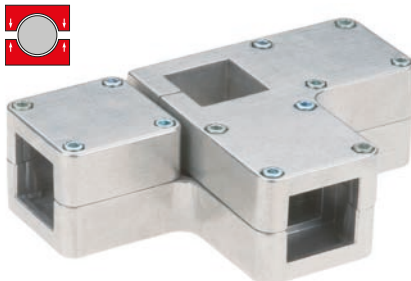
- Stainless steel screws
- Ball-polished
- Colour



WERT - Block form

[mm]

Code No.	Type	A	B	C	D	E	H	K	L	M	N	P	Q	R	m [g]	Clamping lever S Code No.
2132001202666	WERT 32	32,2	32,2	32											1864	9021601
2135001202666	WERT 35	35,2	35,2	35	62	70	70	53	212	106	80	33,5	8,5	53	1738	
2140001202666	WERT 40	40,2	40,2	40											1678	
2145001202666	WERT 45	45,3	45,3	45											3580	9022901
2148001202666	WERT 48	48,3	48,3	48	76	86	86	66	260	130	97	41	10,5	65	3512	
2150001202666	WERT 50	50,3	50,3	50											3360	



WEVT - Block form

[mm]

Code No.	Type	A	B	C	D	E	H	K	L	M	N	P	Q	R	m [g]	Clamping lever S Code No.
2135001302666	WEVT 35	35,4	35,4	35	62	70	70	53	212	106	80	33,5	8,5	53	1673	9021601
2140001302666	WEVT 40	40,4	40,4	40											1573	
2150001302666	WEVT 50	50,5	50,5	51	76	86	95	66	260	130	97	41	10,5	65	3100	9022901



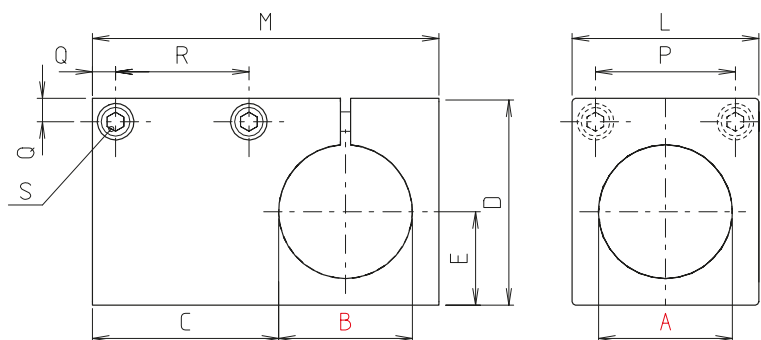
Solid Clamps – Angle clamps

Order instruction:

- Quad® with stainless steel screws
- Clamping levers have to be ordered separately
Delivery unassembled
See table last column and page

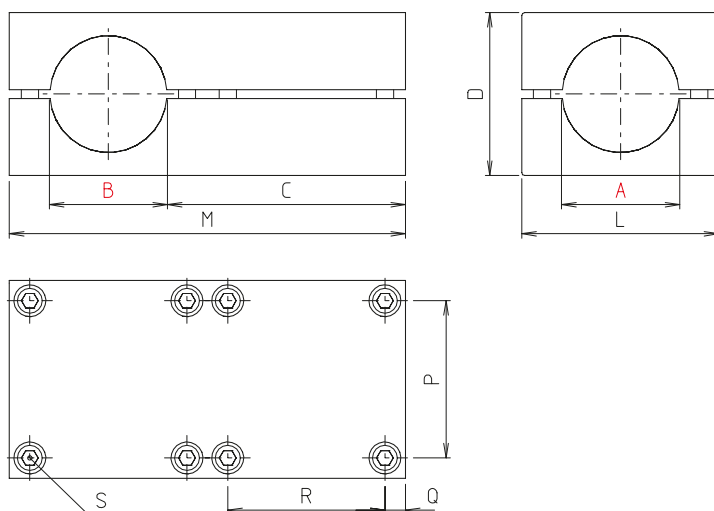
On request quad®:

- Black anodized



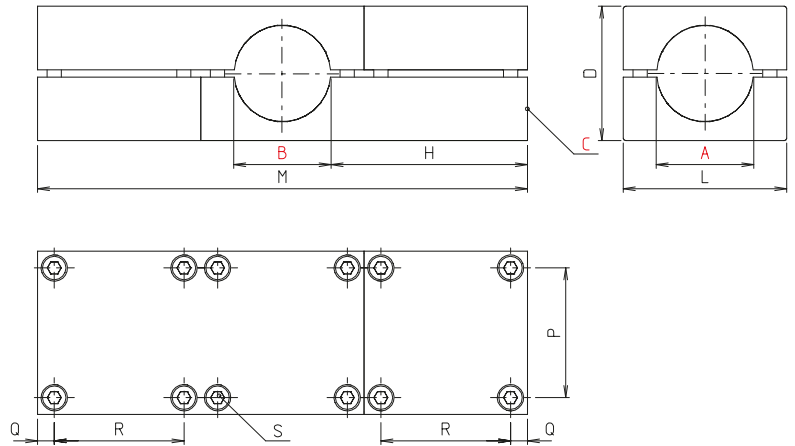
W - quad®

Code No.	Type	A	B	C	D	E	L	M	P	Q	R	m [g]	Clamping lever S Code No.
513000000300	W 30	30,1	30,1	42	49	21	42	78	28	7	26	251	9300101
514000000300	W 40	40,1	40,1	56	62	28	56	104	42	7	40	544	9301401
515000000300	W 50	50,2	50,2	70	77	35	70	130	50	9	50	1049	9300401



WR - quad®

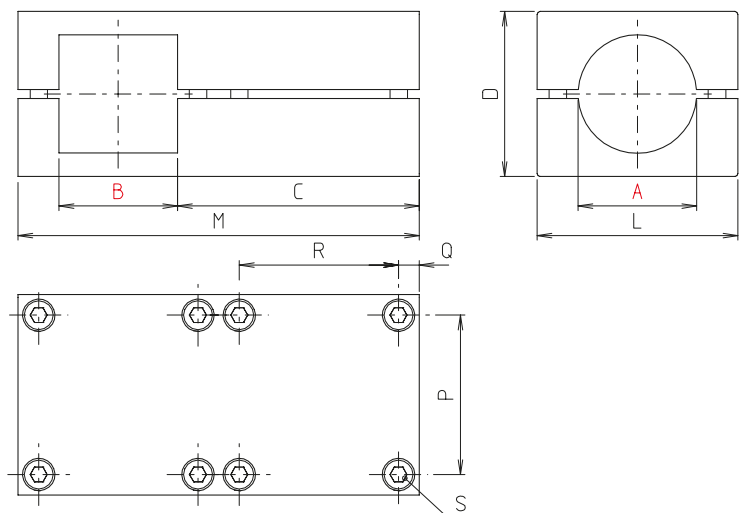
Code No.	Type	A	B	C	D	L	M	P	Q	R	m [g]	Clamping lever S Code No.
513000030300	WR 30	30,1	30,1	69	42	56	112	42	7	42	450	9300101
514000030300	WR 40	40,2	40,2	82	56	68	136	54	7	54	812	9031401
515000030300	WR 50	50,3	50,3	102	70	85	170	67	9	67	1633	9300401
516000030300	WR 60	60,3	60,3	127	97	105	210	85	10	85	-	9022801



WRT - quad®

[mm]

Code No.	Type	A	B	C	D	H	L	M	P	Q	R	m [g]	Clamping lever S Code No.
5130001003000	WRT 30	30,1	30,1	30,1	42	69	56	168	42	7	42	702	9300101
5140001003000	WRT 40	40,2	40,2	40,2	56	82	68	204	54	7	54	1257	9301401
5150001003000	WRT 50	50,3	50,3	50,3	70	102	85	255	67	9	67	2563	9300401



WVR - quad®

[mm]

Code No.	Type	A	B	C	D	L	M	P	Q	R	m [g]	Clamping lever S Code No.
513000150300	WVR 30	30,2	30,1	69	42	56	112	42	7	42	430	9300101
514000150300	WVR 40	40,3	40,2	82	56	68	136	54	7	54	772	9301401
515000150300	WVR 50	50,4	50,3	102	70	85	170	67	9	67	1580	9300401
516000150300	WVR 60	60,3	60,4	127	97	105	210	85	10	85	-	9022801

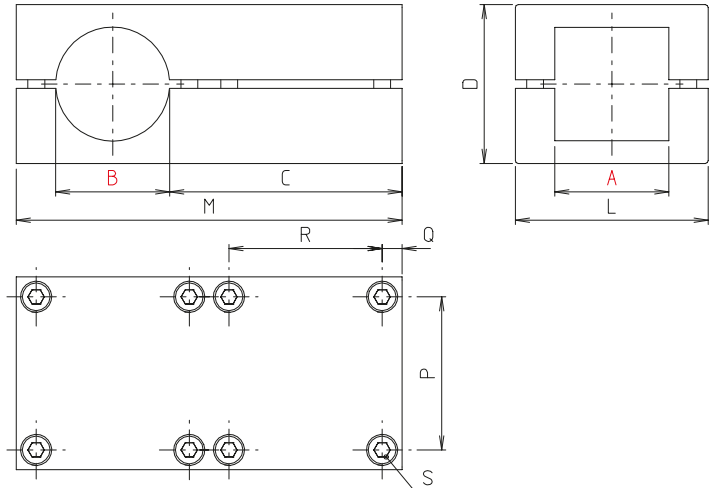
Solid Clamps – Angle clamps

Order instruction:

- Quad® with stainless steel screws
- Clamping levers have to be ordered separately
Delivery unassembled
See table last column and page

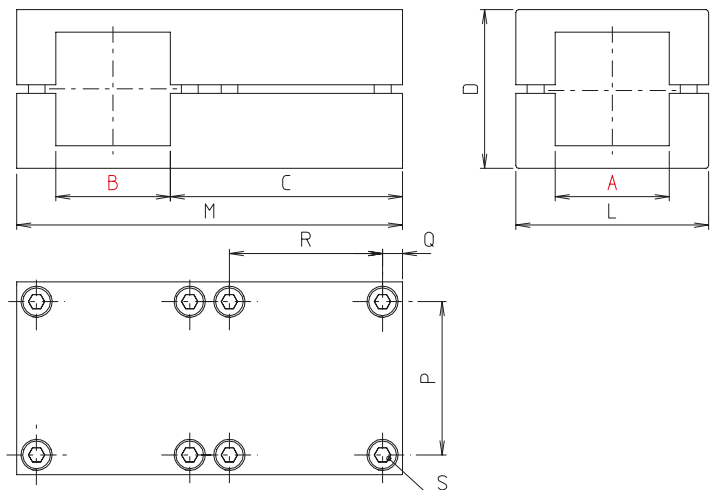
On request quad®:

- Black anodized



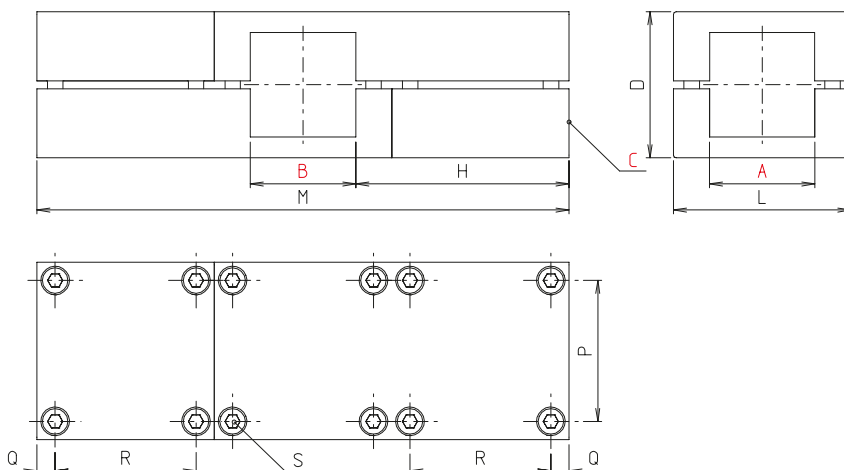
WRV - quad®

Code No.	Type	A	B	C	D	L	M	P	Q	R	m [g]	Clamping lever S Code No.
513000140300	WRV 30	30,1	30,2	69	42	56	112	42	7	42	400	9300101
514000140300	WRV 40	40,2	40,3	82	56	68	136	54	7	54	702	9301401
515000140300	WRV 50	50,3	50,4	102	70	85	170	67	9	67	1412	9300401
516000140300	WRV 60	60,3	60,3	127	97	105	210	85	10	85	–	9022801



WV - quad®

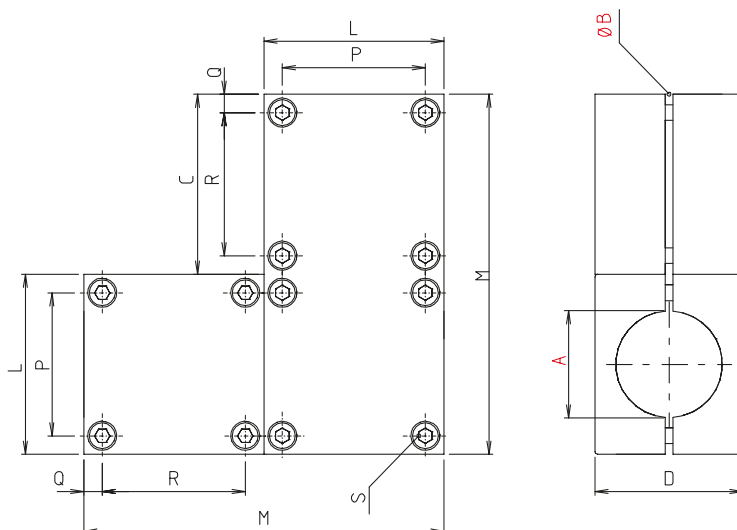
Code No.	Type	A	B	C	D	L	M	P	Q	R	m [g]	Clamping lever S Code No.
513000050300	WV 30	30,2	30,2	69	42	56	112	42	7	42	387	9300101
514000050300	WV 40	40,3	40,3	82	56	68	136	54	7	54	693	9301401
515000050300	WV 50	50,4	50,4	102	70	85	170	67	9	67	1370	9300401
516000050300	WV 60	60,4	60,4	127	97	105	210	85	10	85	–	9022801
518000050300	WV 80	80,4	80,4	149	112	126	252	100	13	100	4200	9300801



WVT - quad®

[mm]

Code No.	Type	A	B	C	D	H	L	M	P	Q	R	m [g]	Clamping lever S Code No.
5130001103000	WVT 30	30,2	30,2	30,2	42	69	56	168	42	7	42	667	9300101
5140001103000	WVT 40	40,3	40,3	40,3	56	82	68	204	54	7	54	1168	9301401
5150001103000	WVT 50	50,4	50,4	50,4	70	102	85	255	67	9	67	2155	9300401
5180001103000	WVT 80	80,4	80,4	80,4	112	159	126	378	100	13	100	6782	9300801



WKR - quad®

[mm]

Code No.	Type	A	B	C	D	L	M	P	Q	R	m [g]	Clamping lever S Code No.
513000010300	WKR 30	30,1	30,1	56	42	56	112	42	7	42	702	9300101
514000010300	WKR 40	40,2	40,2	68	56	68	136	54	7	54	1257	9301401
515000010300	WKR 50	50,3	50,3	85	70	85	170	67	9	67	2563	9300401

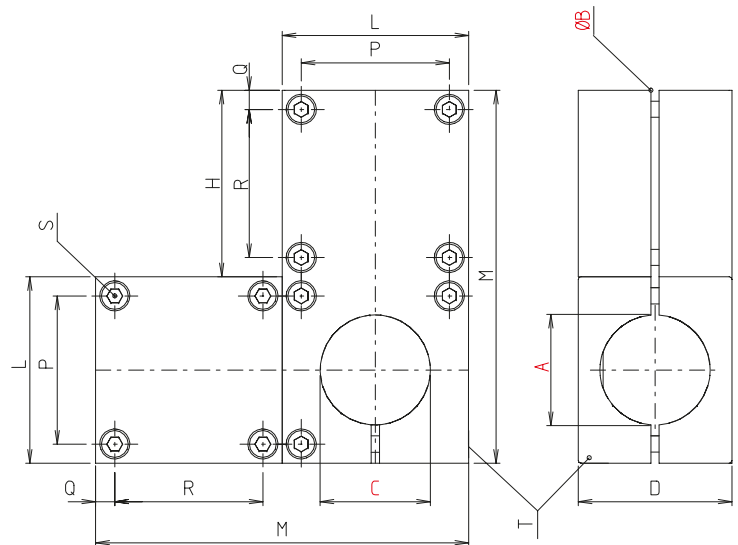
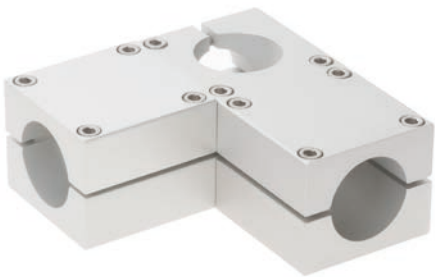
Solid Clamps – Angle clamps

Order instruction:

- Quad® with stainless steel screws
- Clamping levers have to be ordered separately
Delivery unassembled
See table last column and page

On request quad®:

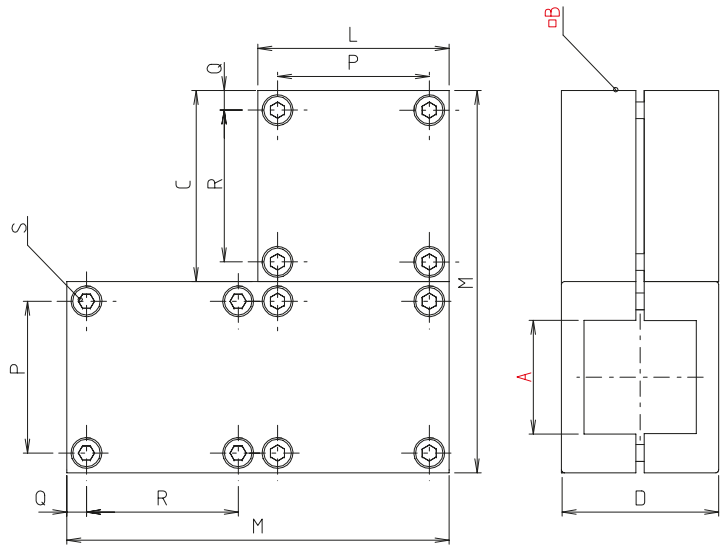
- Black anodized



WER - quad®

[mm]

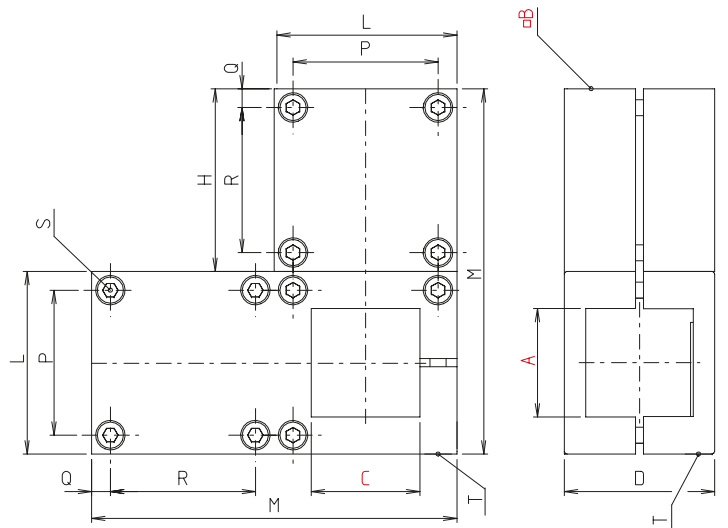
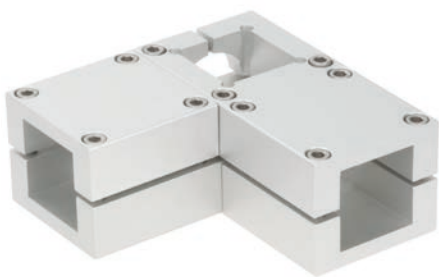
Code No.	Type	A	B	C	D	H	L	M	P	Q	R	m [g]	S	T
													Clamping lever Code No.	
5130000703000	WER 30	30,1	30,1	30,1	42	56	56	112	42	7	42	725	9300101	9300101
5140000703000	WER 40	40,2	40,2	40,2	56	68	68	136	54	7	54	1311	9301401	9301401
5150000703000	WER 50	50,3	50,3	50,3	70	85	85	170	67	9	67	2627	9300401	902161



WKV - quad®

[mm]

Code No.	Type	A	B	C	D	L	M	P	Q	R	m [g]	Clamping lever S Code No.
513000020300	WKV 30	30,2	30,2	56	42	56	112	42	7	42	634	9300101
514000020300	WKV 40	40,3	40,3	68	56	68	136	54	7	54	1133	9301401
515000020300	WKV 50	50,4	50,4	85	70	85	170	67	9	67	2274	9300401

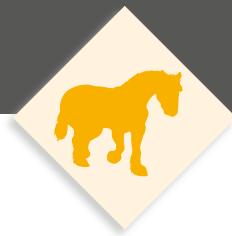


WEV - quad®

[mm]

Code No.	Type	A	B	C	D	H	L	M	P	Q	R	m [g]	S	T
													Clamping lever Code No.	
5130000803000	WEV 30	30,2	30,2	30,2	42	56	56	112	42	7	42	634	9300101	9300101
5140000803000	WEV 40	40,3	40,3	40,3	56	68	68	136	54	7	54	1133	9301401	9301401
5150000803000	WEV 50	50,4	50,4	50,4	70	85	85	170	67	9	67	2274	9300401	902161

Solid Clamps – Base clamps

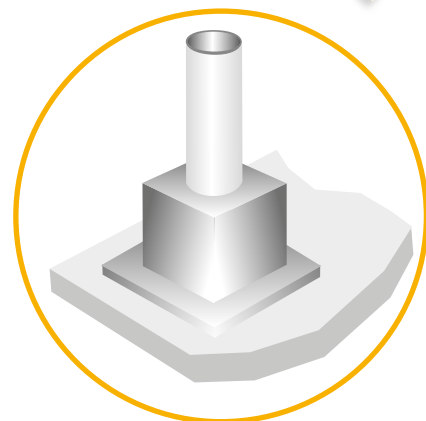


Version:

■ Base clamps



delivery
from stock



Single-piece elements

✓ For the quick and inexpensive installation



Industrial design

- Cast aluminium
- Great variety
- Single-piece elements

quad® elements

- Extruded aluminium
- Maximum torque loads
- High-quality anodized surface
- Single- and Multi-piece elements



Multi-piece elements

✓ Also suitable for subsequent assembly and expansion



quad® elements

- Extruded aluminium
- Maximum torque loads
- High-quality anodized surface
- Single- and Multi-piece elements

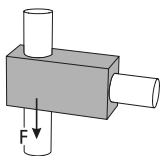
Block form

- Cast aluminium
- Higher torque loads
- Plain surface
- Multi-piece elements

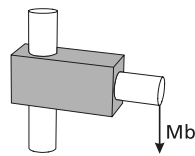
Loads base clamps

Attention!

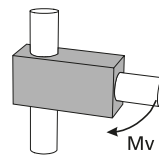
The data in the chart do not ensure a guarantee of quality or a warrant characteristic of our products. These are nonbinding standard values which might be not reached in individual cases due to the temperature or surface finish of the clamping profile.



Adhesion force F [KN]



Bending moment Mb [Nm]



Twisting moment Mv [Nm]

Tightening torque of clamping screws:

M6: 10 Nm
M8: 25 Nm
M10: 50 Nm

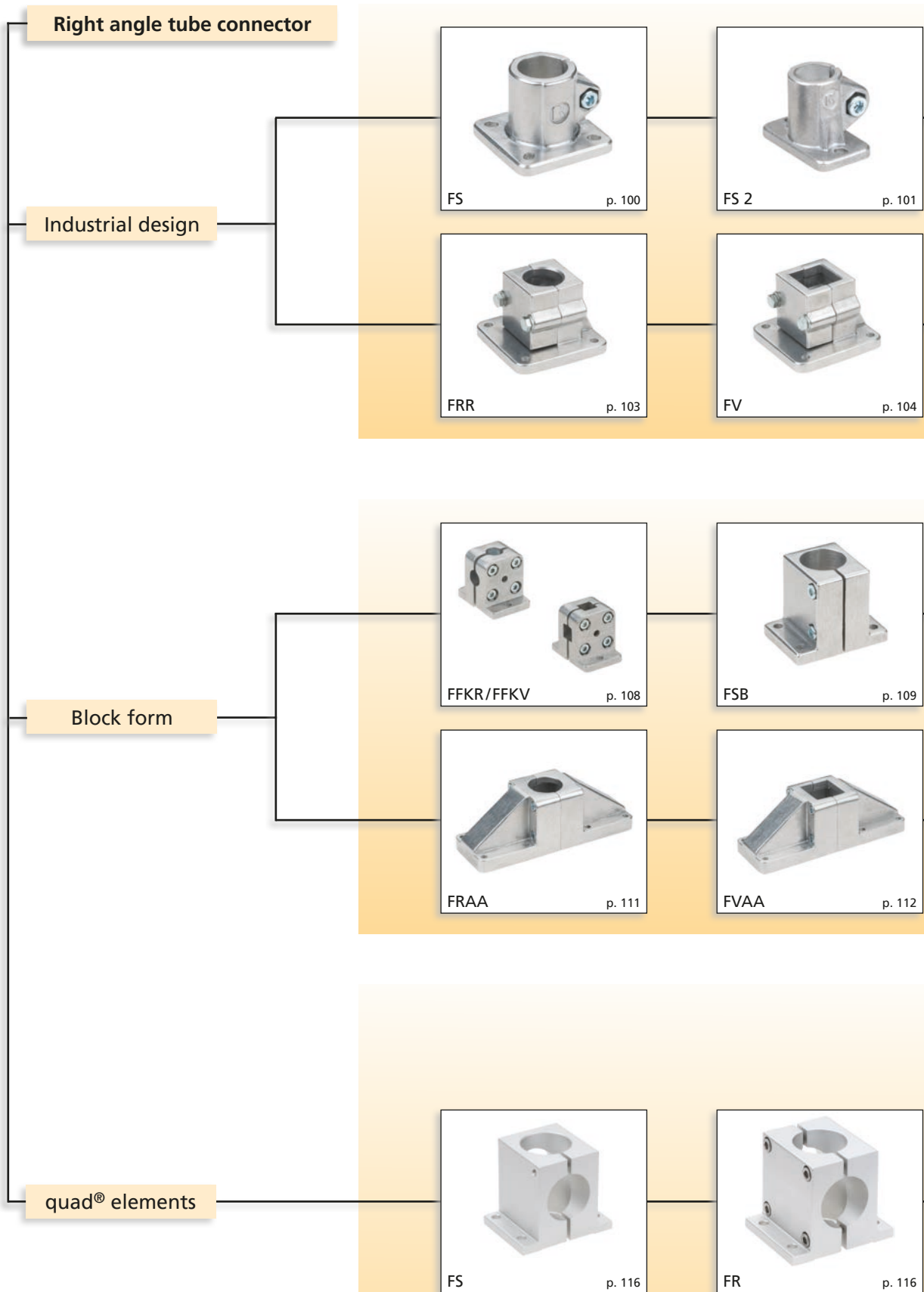
Material data sheet available upon request.

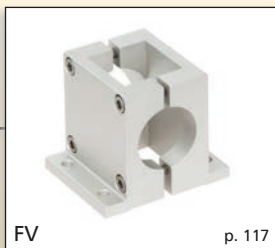
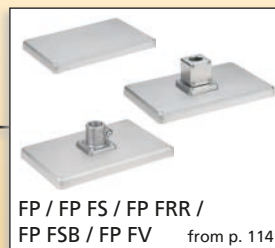
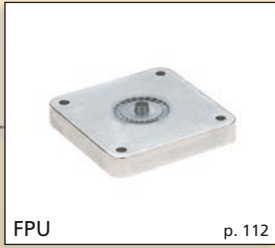
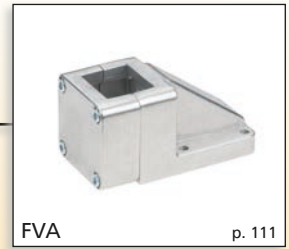
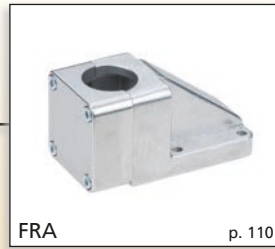
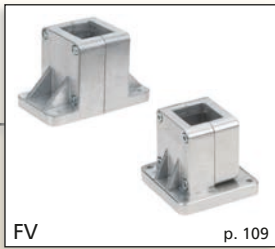
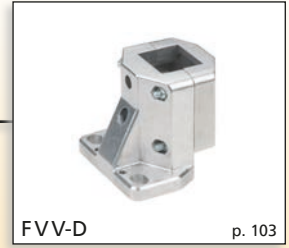
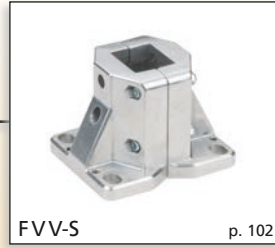
Size Type	18			30			40			50			60			80		
	F	Mb	Mv	F	Mb	Mv	F	Mb	Mv	F	Mb	Mv	F	Mb	Mv	F	Mb	Mv
Industrial design																		
FS				5,7	302	87	7,5	418	121	8,7	1375	150	16	1250	374			
FR							4,5	738	96	5,4	1395	207						
FV				5,6	125	296	2,9	290	623									
FRR				6,7	555	108	5,9	743	91									
FRA										5	600	250	12	1297	256			
FVA										5,9	1015	726	8	1750	1155			
FRAA										7,7	971	257	12	1750	263			

Size Type	18			30			40			50			60			80		
	F	Mb	Mv	F	Mb	Mv	F	Mb	Mv	F	Mb	Mv	F	Mb	Mv	F	Mb	Mv
Block form																		
FV				3,0	441	213	3,1	811	855	5,9	600	726				18	2125	2250
FRR				4,5	433	80	5,7	838	58	7,7	600	257				10	2250	692

Size Type	18			30			40			50			60			80		
	F	Mb	Mv	F	Mb	Mv	F	Mb	Mv	F	Mb	Mv	F	Mb	Mv	F	Mb	Mv
quad® elements																		
FS	2,1	418	39	3,9	703	81	5,8	1960	118									
FR	5,6	548	65	7,4	744	121	11,5	1960	272	21,5		950						
FV	3,2	541	338	7,1	881	540	7,5	1960	50	20,1								

Solid Clamps – Base clamps





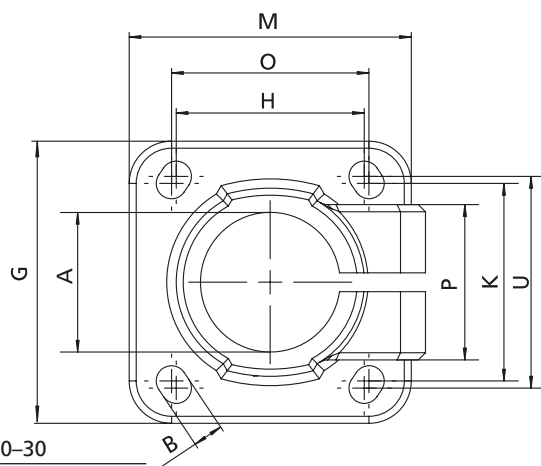
Solid Clamps – Base clamps

Order instruction:

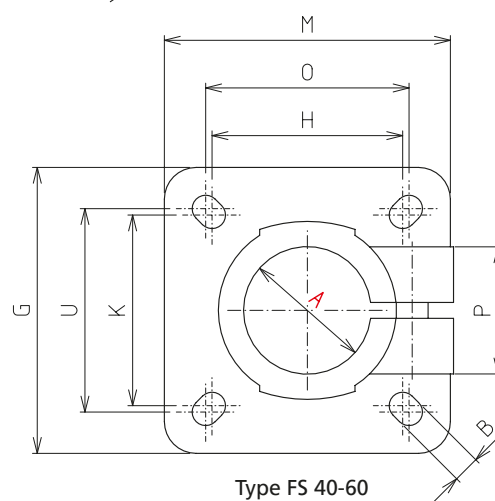
- Standard equipment premounted zinc plated screws
- Clamping levers have to be ordered separately
Delivery unassembled
See table last column and page 230

On request:

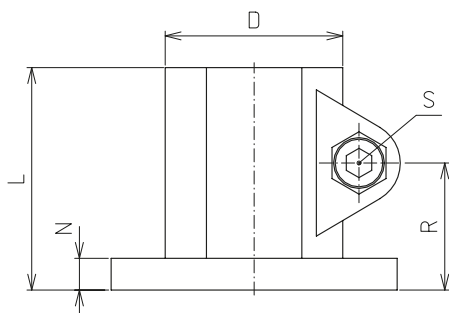
- Stainless steel screws
- Ball-polished
- Colour



Type FS 20-30



Type FS 40-60

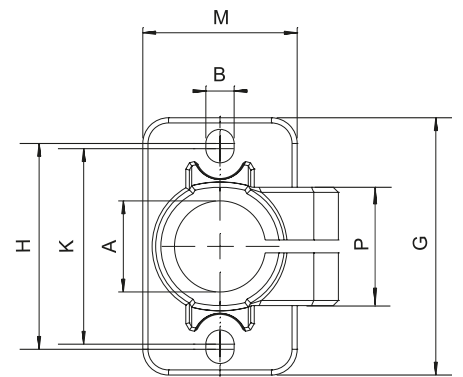
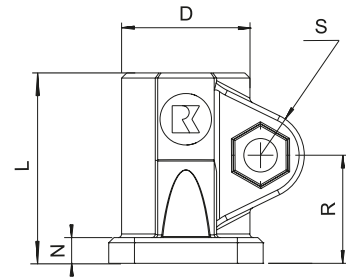


FS - Industrial design

[mm]

Code No.	Type	A	B	D	G	H	K	L	M	N	O	P	R	U	m [g]	Clamping lever S Code No.
13120000020	FS 12	12,1	6	25	42	28	28	37	42	5	30	23	21	30	65	90209
13140000020	FS 14	14,1													61	
13150000020	FS 15	15,1													58	
13160000020	FS 16	16,1													57	
13180000020	FS 18	18,1													52	
13200000020	FS 20	20,1	7	40	60	40	42	50	60	8	42	33	29	45	186	9022201
13250000020	FS 25	25,1													164	
	FS 28*	*With adapter sleeve R28, see accessories page 230														
13300000020	FS 30	30,1	9	56	90	60	60	70	90	10	64	40	40	64	137	9022201
13320000020	FS 32	32,17													465	
13300200020	FS 30(32)	30,1	11	66	105	74	74	85	105	14	80	45	49,5	80	465	90250
13350000020	FS 35	35,17													450	
13400000020	FS 40	40,17													385	
13400200020	FS 40(42)	40,17													758	
13420000020	FS 42	42,22													720	
13480000020	FS 48	48,22	11	80	120	80	80	100	120	15	89	58	57,5	89	636	90251
13500000020	FS 50	50,22													603	
13600000020	FS 60	60,27													935	
13800000020	FS 80**	80,35	17,5	110	170	120	120	141,4	174,5	22	-	82	119	-	2770	9027001

**Type FS 80 with round hole

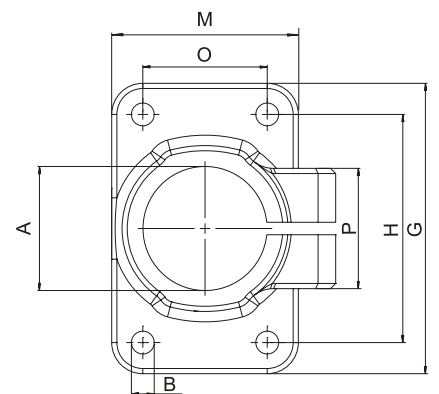
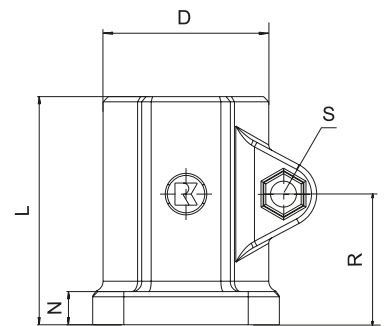


[mm]



FS 2 - Industrial design

Code No.	Type	A	B	D	G	H	K	L	M	N	P	R	m [g]	Clamping lever S Code No.
13120300020	FS 12-2	12,1	5,5	25	50	40	38	37	30	5	23	21	65	90209
13140300020	FS 14-2	14,1											61	
13150300020	FS 15-2	15,1											58	
13160300020	FS 16-2	16,1											57	
13180300020	FS 18-2	18,1											52	



[mm]



FS-B - Industrial design

Code No.	Type	A	B	D	G	H	L	M	N	O	P	R	m [g]	Clamping lever S Code No.
13600200020	FS-B 60	60,27	11	80	140	110	110	90	16	60	58	63	920	9025301

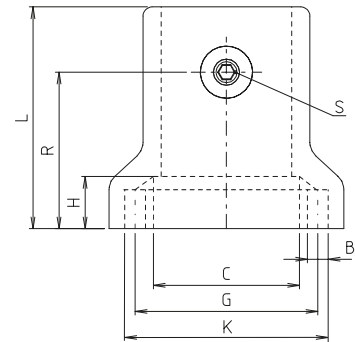
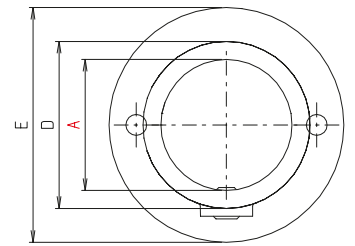
Solid Clamps – Base clamps

Order instruction:

- Standard equipment premounted zinc plated screws
- Clamping levers have to be ordered separately
Delivery unassembled
See table last column and page 230

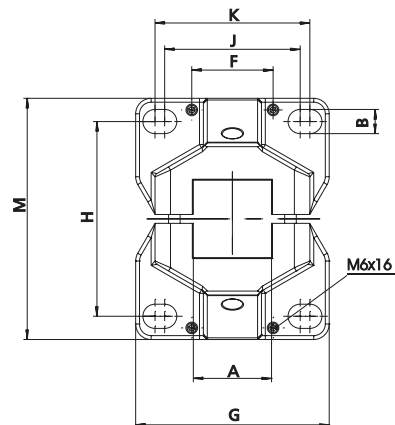
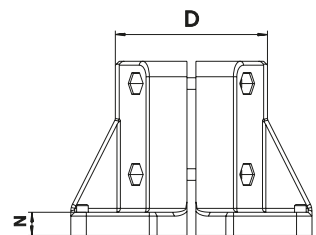
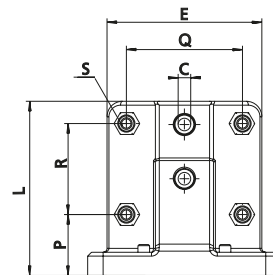
On request:

- Stainless steel screws
- Ball-polished
- Colour



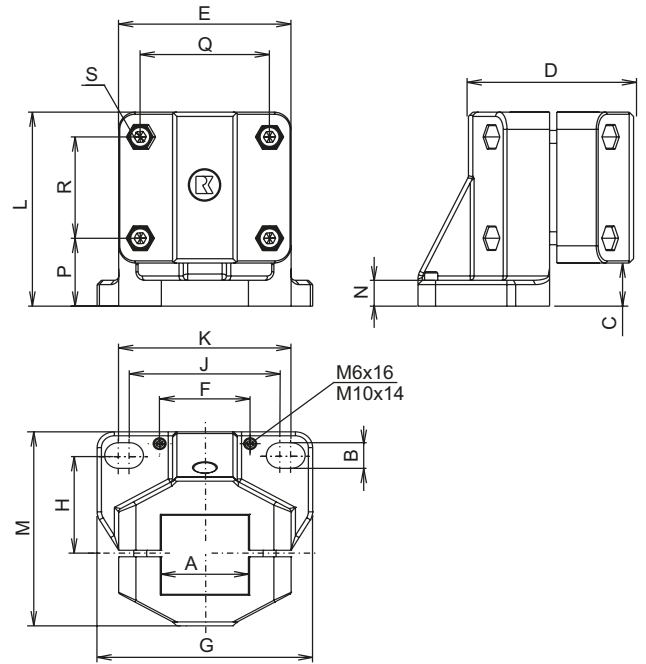
FR - Industrial design

Code No.	Type	A	B	C	D	E	G	H	K	L	R	[mm]	
												m [g]	Clamping lever S Code No.
13400009020	FR 40	40,2	M8	56	64	90	69	20	77	85	60	474	9024101
13420009020	FR 42	42,2										458	9024301
13450009020	FR 45	45,2										407	9024101
13480009020	FR 48	48,2										383	9024301
13500009020	FR 50	50,2										359	9024101



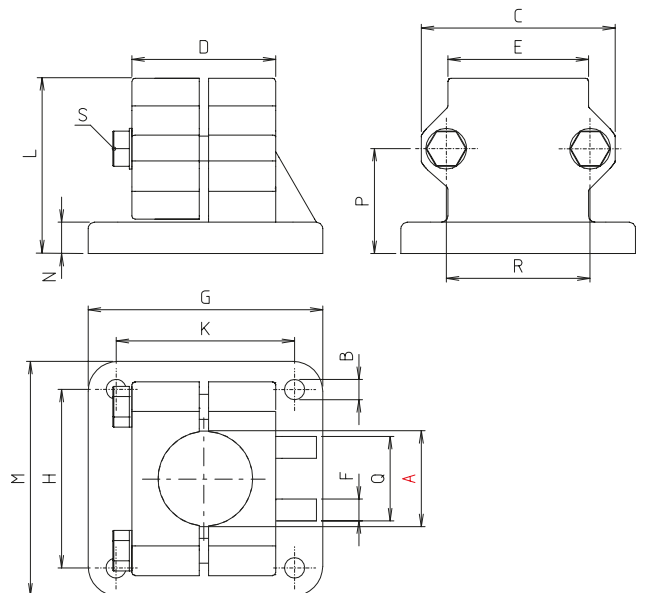
FVV-S - Industrial design

Code No.	Type	A	B	C	D	E	F	G	H	J	K	L	M	N	P	Q	S	[mm]	
																		m [g]	
4014312	FVV-S 40	40,4	12,5	7	79	80	42	100	100	70	80	90	125	12	31,5	60	M6x45	805	


FVV-D - Industrial design

[mm]

Code No.	Type	A	B	C	D	E	F	G	H	J	K	L	M	N	P	Q	R	S	m [g]
4014313	FVV-D 40	40,4	12,5	20	75	80	42	100	50	70	80	90	98	12	31,5	60	47	M6x45	633


FRR - Industrial design

[mm]

Code No.	Type	A	B	C	D	E	F	G	H	K	L	M	N	P	Q	R	m [g]	Clamping lever S Code No.
13250003020	FRR 25	25,2	7	62	45	45	5	75	57	57	56	75	10	33,5	25	46	303	9022501
13300003020	FRR 30	30,2															287	
13350003020	FRR 35	35,2	9	75	60	60	5	100	76	76	71	100	10	43	25	57	612	9022801
13400003020	FRR 40	40,2															597	

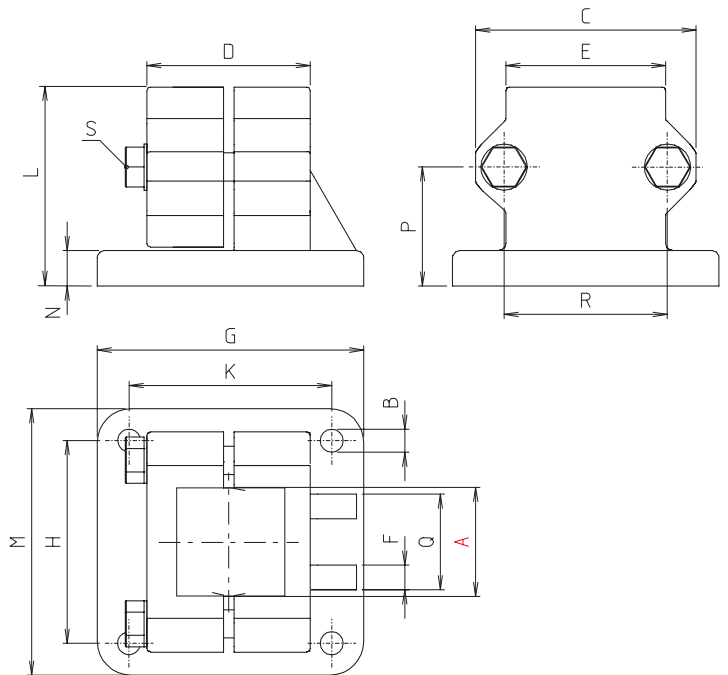
Solid Clamps – Base clamps

Order instruction:

- Standard equipment premounted zinc plated screws
- Clamping levers have to be ordered separately
Delivery unassembled
See table last column and page 230

On request:

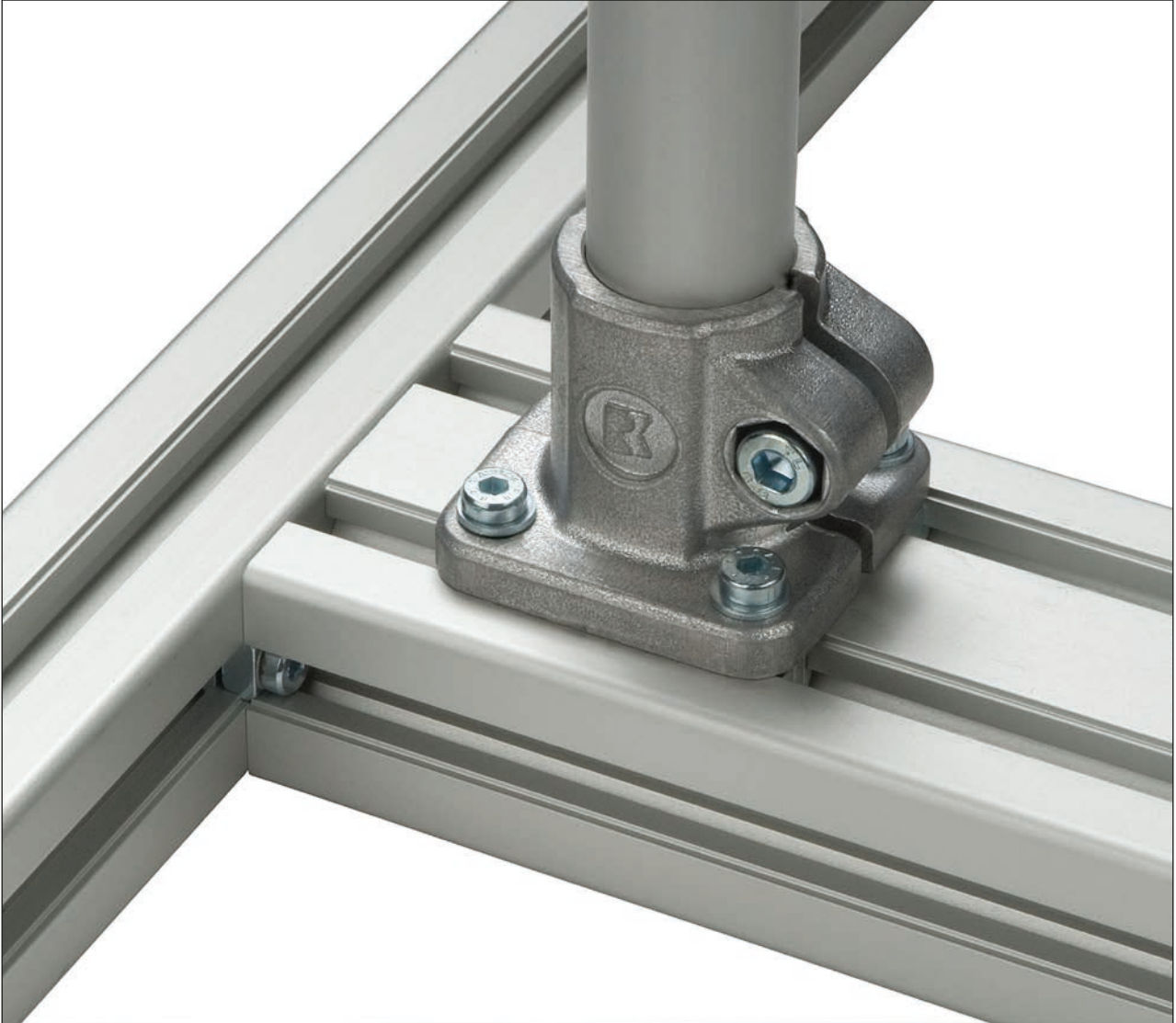
- Stainless steel screws
- Ball-polished
- Colour



FV - Industrial design

[mm]

Code No.	Type	A	B	C	D	E	F	G	H	K	L	M	N	P	Q	R	m [g]	Clamping lever S Code No.
13200005020	FV 20	20,5															320	9022501
13250005020	FV 25	25,3	7	62	45	45	5	75	57	57	56	75	10	33,5	25	46	292	
13300005020	FV 30	30,3															278	
13350005020	FV 35	35,4	9	75	60	60	5	100	76	76	73	100	12	43	32	57	587	9022801
13400005020	FV 40	40,4															581	

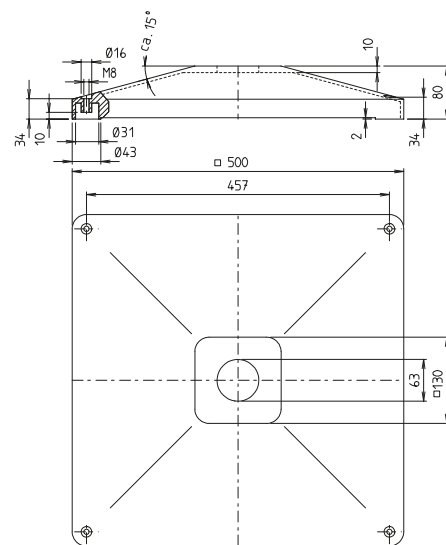


The fitting dimensions are largely adjusted to our profile technology BLOCAN®.

Solid Clamps – Base clamps



Plate without base clamp



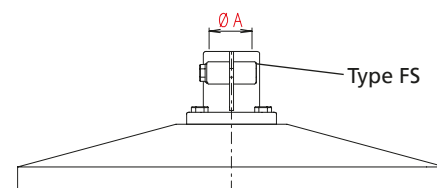
[mm]

FP - Industrial design

Code No.	Type	m [g]
130000100_ _ _ _ _	FP	4440



Plate with base clamp Type FS



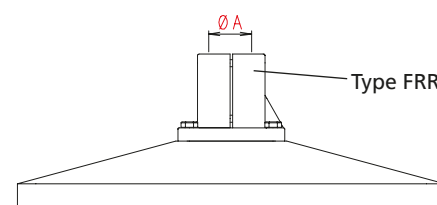
FP FS - Industrial design

[mm]

Code No.	Type	A	m [g]
133200120_ _ _ _ _	FP FS 32	32,15	4946
134000120_ _ _ _ _	FP FS 40	40,15	4881
134800120_ _ _ _ _	FP FS 48	48,2	5141
135000120_ _ _ _ _	FP FS 50	50,2	5111



Plate with base clamp Type FRR



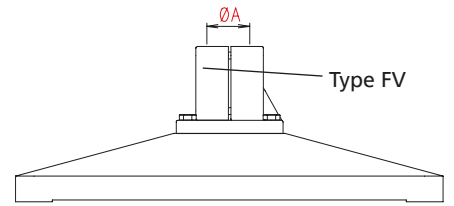
FP FRR - Industrial design

[mm]

Code No.	Type	A	m [g]
134000130_ _ _ _ _	FP FRR 40	40,2	5037
134200130_ _ _ _ _	FP FRR 42	42,3	5854
134500130_ _ _ _ _	FP FRR 45	45,3	5799
134800130_ _ _ _ _	FP FRR 48	48,3	5783
135000130_ _ _ _ _	FP FRR 50	50,3	579



Plate with base clamp Type FV



FP FV - Industrial design

[mm]

Code No.	Type	A	m [g]
133500150_ _ _ _	FP FV 35	35,4	5027
134000150_ _ _ _	FP FV 40	40,4	5010

Code No. +

Surface:

- 2 = nature
- A = RAL 7035, light grey
- B = RAL 7030, stone grey
- C = RAL 9005, jet black
- D = RAL 1021, yellow

Variants for clamping A:

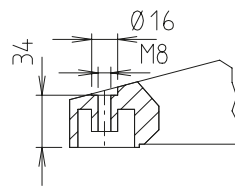
- 0 = screws
- 1 = 1 lever
- 2 = 2 levers
- 3 = 3 levers
- 4 = 4 levers

Version:

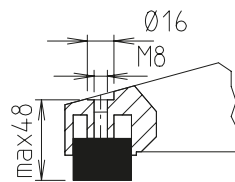
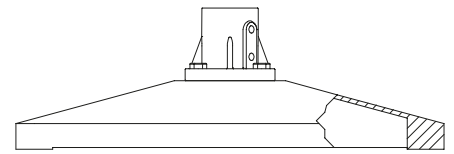
- F = Bore hole

Filling:

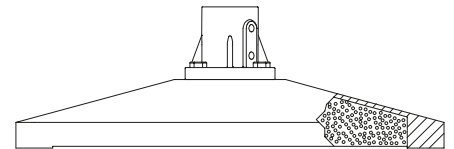
- 0 = without filling dump moment 15 Nm



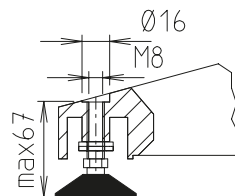
- 2 = Rubber foot



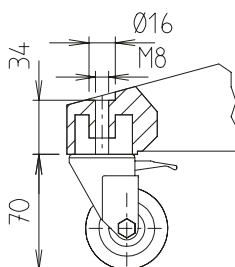
- X = hollow space with concrete plate (m = 14 kg) dump moment 65 Nm



- 3 = Adjustable foot



- 4 = Castor with brake



Order example:

Plate FP with base clamp FS 50, ground finish surface, equipped with screws, version with rubber foot, filled with concrete plate

135000120 2 0 2 X

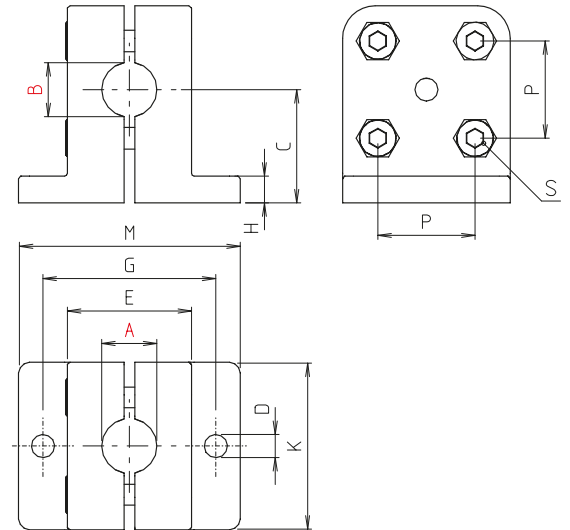
Solid Clamps – Base clamps

Order instruction:

- Standard equipment premounted zinc plated screws
- Clamping levers have to be ordered separately
Delivery unassembled
See table last column and page 230

On request:

- Stainless steel screws
- Ball-polished
- Colour

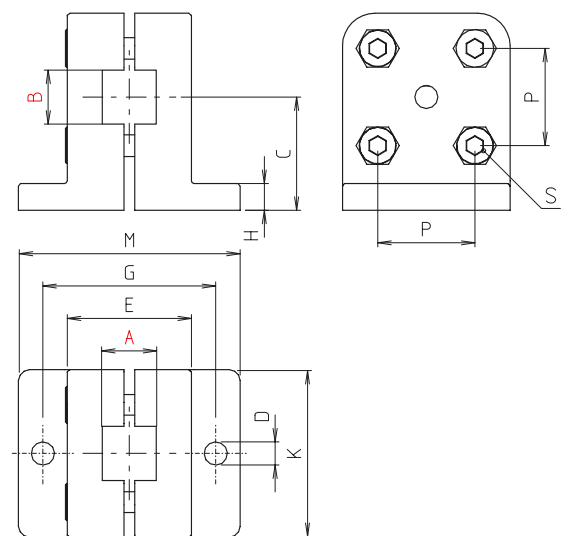


FFKR - Block form

[mm]

Code No.	Type	A	B	C	D	E	G	H	K	L	M	P	S	m [g]
290800020266	FFKR 8*	8	8	21	4	23	32	5	31	36	41	18	M4x18	62
291000020266	FFKR 10	10	10											58

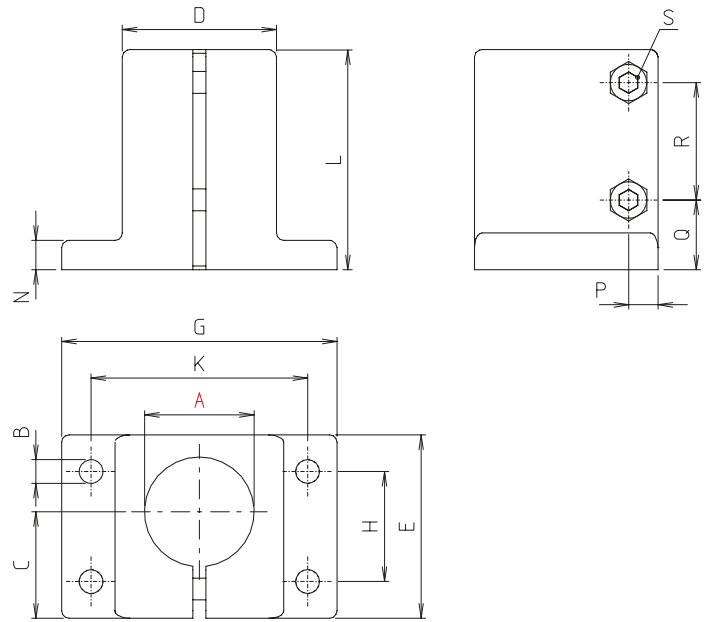
* Ø 8 reduced with clamping sleeve



FFKV - Block form

[mm]

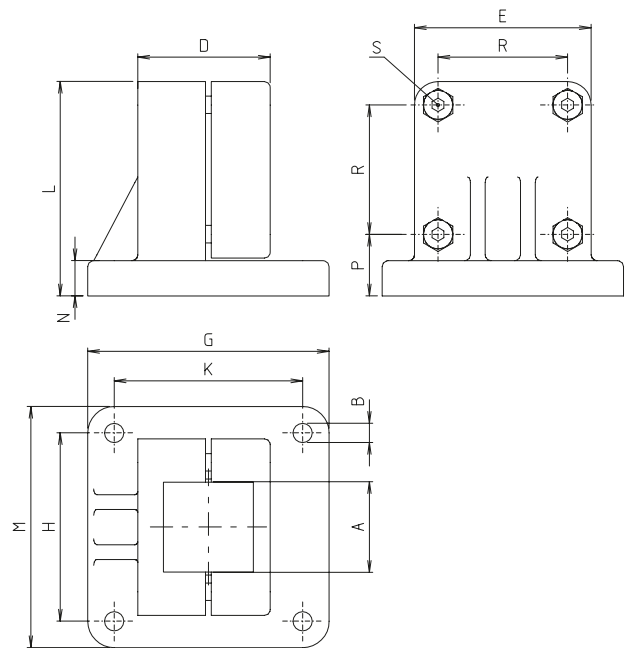
Code No.	Type	A	B	C	D	E	G	H	K	L	M	P	S	m [g]
291000030266	FFKV 10	10	10	21	4	23	32	5	31	36	41	18	M4x18	5



FSB - Block form

[mm]

Code No.	Type	A	B	C	D	E	G	H	K	L	N	P	Q	R	m [g]	Clamping lever S Code No.
23400000026	FSB 40	40,15	9	38	53	65	92	42	74	75	11	9,5	24	40	500	9022501



FV - Block form

[mm]

Code No.	Type	A	B	D	E	G	H	K	L	M	N	P	R	m [g]	Clamping lever S Code No.
23300005026	FV 30	30,3	6,5	48	60	82	64	64	73	82	12	21	44	403	9021401
23400005026	FV 40	40,4	6,5	62	70	95	76	76	85	95	14	23,5	53	600	9021601
23500005026	FV 50	50,5	9	79	86	125	98	98	102	125	12	26,5	65	1333	9022901
23800005026	FV 80*	80,7	11	122	130	240	100	190	150	130	20	35	100	3741	9024601

* With split flange plate

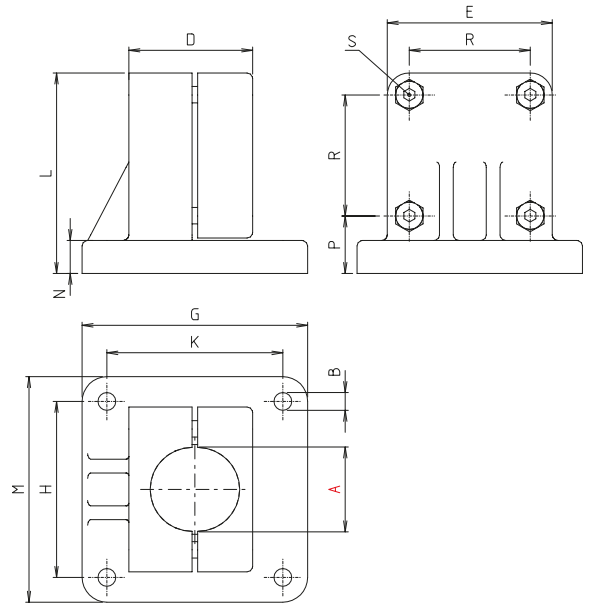
Solid Clamps – Base clamps

Order instruction:

- Standard equipment premounted zinc plated screws
- Clamping levers have to be ordered separately
Delivery unassembled
See table last column and page 230

On request:

- Stainless steel screws
- Ball-polished
- Colour

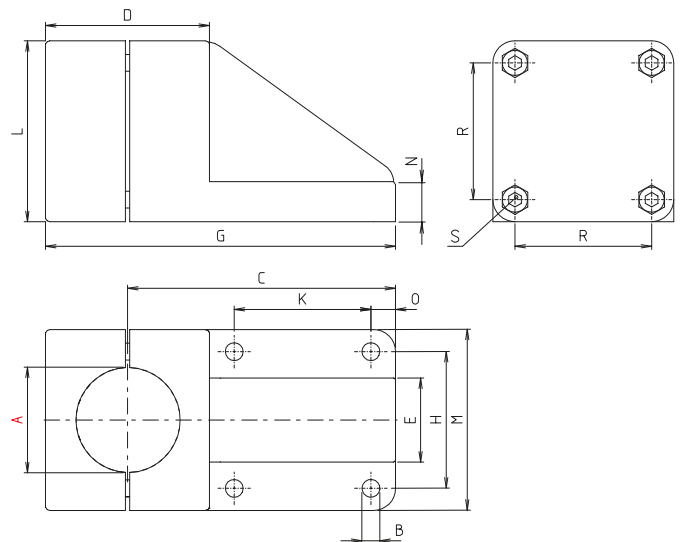


FRR - Block form

[mm]

Code No.	Type	A	B	D	E	G	H	K	L	M	N	P	R	m [g]	Clamping lever S Code No.
23300003026	FRR 30	30,2	7	48	60	82	64	64	73	82	12	21	44	414	9021601
23350003026	FRR 35	35,2	7	62	70	95	76	76	85	95	14	24	55	670	9021601
23400003026	FRR 40	40,2											53	613	
23420003026	FRR 42	42,3												1414	
23450003026	FRR 45	45,3	9	79	86	125	98	98	102	125	12	27	64	1359	9022901
23480003026	FRR 48	48,3												1343	
23500003026	FRR 50	50,3												1332	
23800003026	FRR 80*	80,7	11	120	130	240	100	190	150	130	20	35	100	3928	9024601

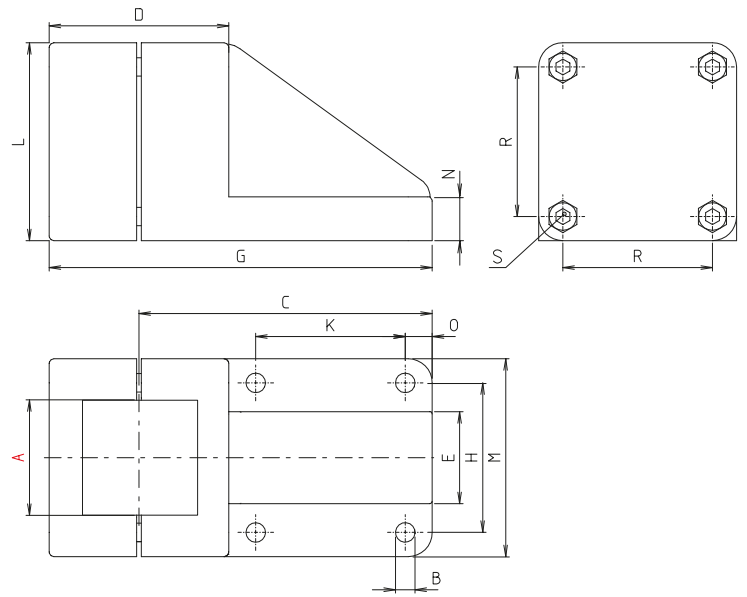
*With split flange plate



FRA - Block form

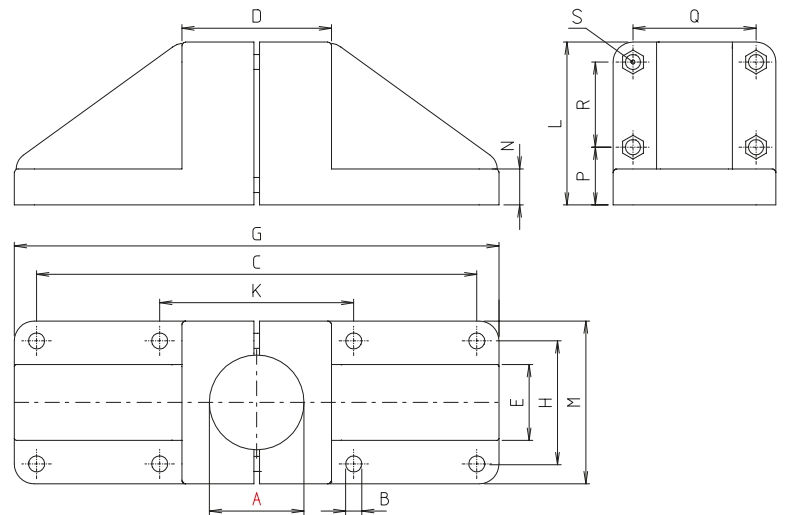
[mm]

Code No.	Type	A	B	C	D	E	G	H	K	L	M	N	O	R	m [g]	Clamping lever S Code No.
23420002026	FRA 42	42,3													1198	
23450002026	FRA 45	45,3	9	128	79	40	167	65	65	86	86	19	10,5	65	1217	9022901
23480002026	FRA 48	48,3													1231	
23500002026	FRA 50	50,3													1205	
23600002026	FRA 60	60,4	9	147	90	46	192	78	78	100	100	22	11	78	1690	9021401


FVA - Block form

[mm]

Code No.	Type	A	B	C	D	E	G	H	K	L	M	N	O	R	m [g]	Clamping lever S Code No.
23500007026	FVA 50	50,5	9	127,5	79	40	167	65	65	86	86	19	10,5	65	1146	9022901
23600007026	FVA 60	60,6	9	147	90	46	192	78	78	100	100	22	11	78	1635	9023001


FRAA - Block form

[mm]

Code No.	Type	A	B	C	D	E	G	H	K	L	M	N	P	Q	R	m [g]	Clamping lever S Code No.
23420016026	FRAA 42	42,3	9	235	79	40	256	65	105	86	86	19	28,5	65	47	1570	9022901
23450016026	FRAA 45	45,3														1250	
23480016026	FRAA 48	48,3														1231	
23500016026	FRAA 50	50,3														1518	
23600016026	FRAA 60	60,4	9	272	90	46	294	78	116	100	100	22	30,5	78	58,5	2253	9023001

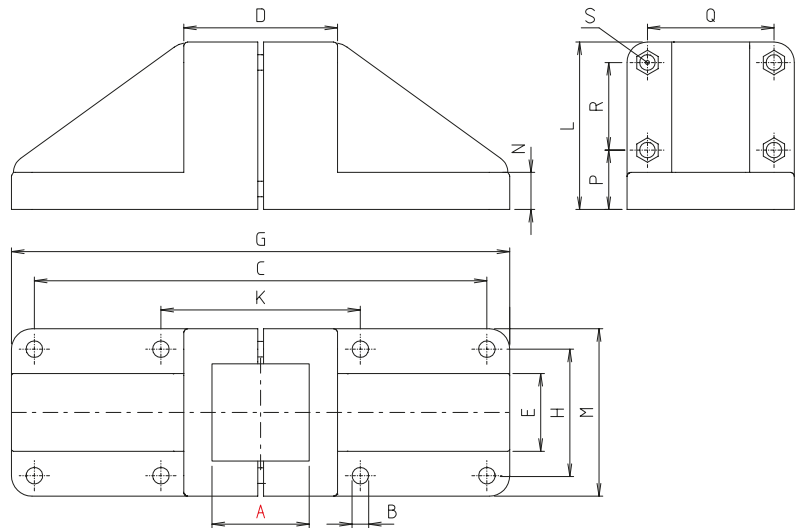
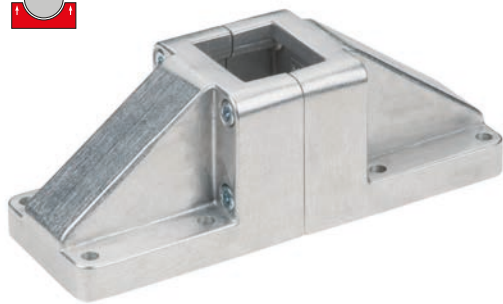
Solid Clamps – Base clamps

Order instruction:

- Standard equipment premounted zinc plated screws
- Clamping levers have to be ordered separately
Delivery unassembled
See table last column and page 230

On request:

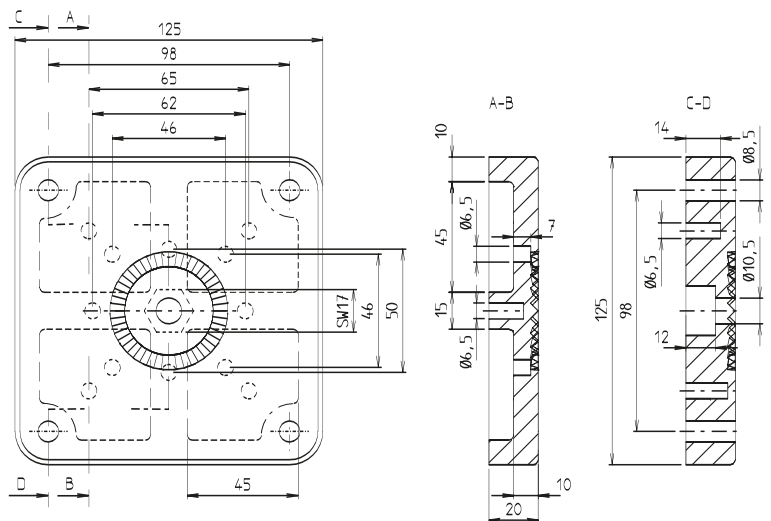
- Stainless steel screws
- Ball-polished
- Colour



FVAA - Block form

[mm]

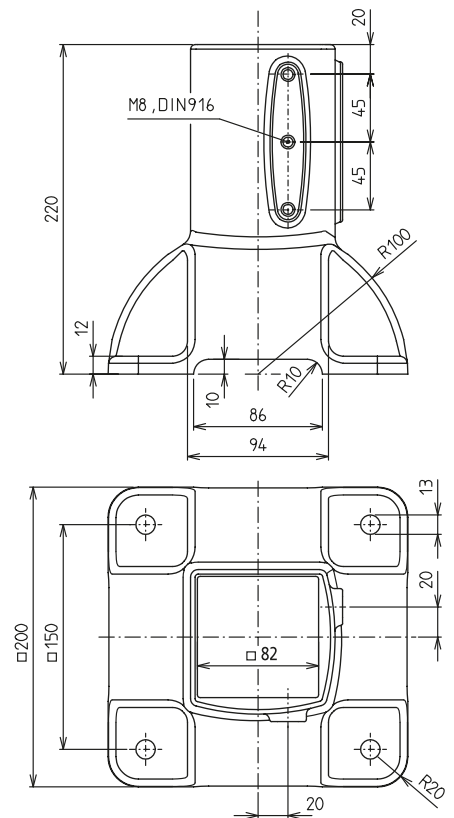
Code No.	Type	A	B	C	D	E	G	H	K	L	M	N	P	Q	R	m [g]	Clamping lever S Code No.
23500017026	FVAA 50	50,5	9	235	79	40	256	65	105	86	86	19	28,5	65	47	1479	9022901
23600017026	FVAA 60	60,6	9	272	90	46	294	78	116	100	100	22	30,5	78	58,5	2220	9023001



FPU - Block form

[mm]

Code No.	Type	m [g]
2340001902	FPU 40	60



BAK-80 - Block form

[mm]

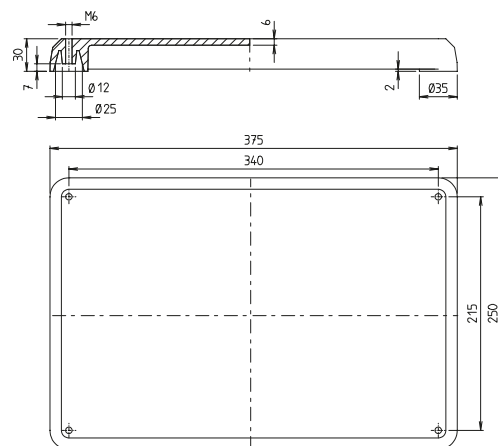
Code No.	Type	m [g]
4040501	BAK-80	1880



Solid Clamps – Base clamps



Plate without base clamp



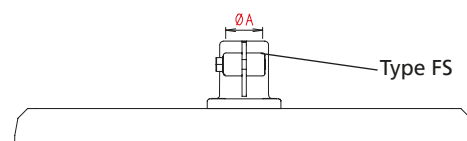
FP - Block form

[mm]

Code No.	Type	m [g]
230000100	FP	1960



Plate with base clamp Type FS



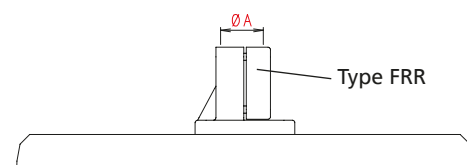
FP FS - Block form

[mm]

Code No.	Type	A	m [g]
232000120	FP FS 20	20	2141
233000120	FP FS 30	30,1	2400
233200120	FP FS 32	32,15	2459
233500120	FP FS 35	35,15	2434
234000120	FP FS 40	40,15	2391



Plate with base clamp Type FRR



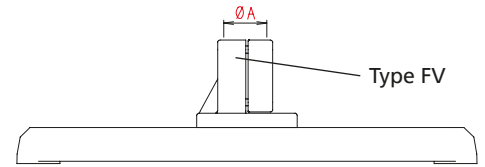
FP FRR - Block form

[mm]

Code No.	Type	A	m [g]
233000130	FP FRR 30	30,15	2364
234000130	FP FRR 40	40,2	256



Plate with base clamp Type FV



FP FV - Block form

[mm]

Code No.	Type	A	m [g]
233000150_ _ _ _	FP FV 30	30,3	2353
234000150_ _ _ _	FP FV 40	40,4	2550

Code No. +

Surface:

- 2 = nature
- A = RAL 7035, light grey
- B = RAL 7030, stone grey
- C = RAL 9005, jet black
- D = RAL 1021, yellow

Variants for clamping A:

- 6 = screws
- 1 = 1 lever
- 2 = 2 levers
- 3 = 3 levers
- 4 = 4 levers

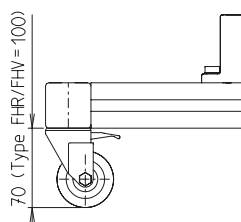
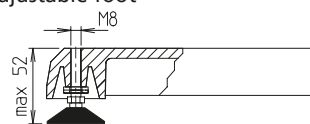
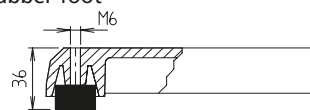
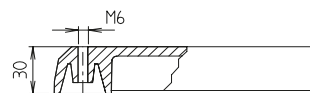
Version:

F = Bore hole

2 = Rubber foot

3 = Adjustable foot

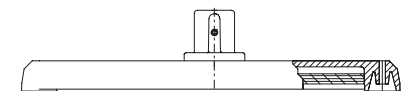
4 = Castor with brake



Filling:

0 = without filling dump moment 3 Nm

y = hollow space with steel plate
(m=4,6 kg)
dump moment 6 Nm



Order example:

Plate FP with base clamp FS 40, ground finish surface, equipped with screws, version with rubber foot, filled with steel plate

234000120 2 6 2 Y

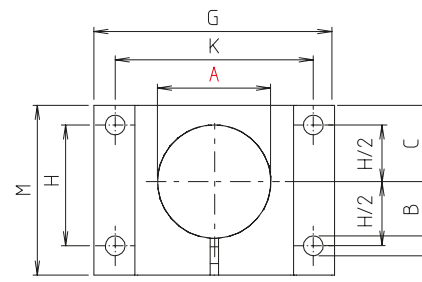
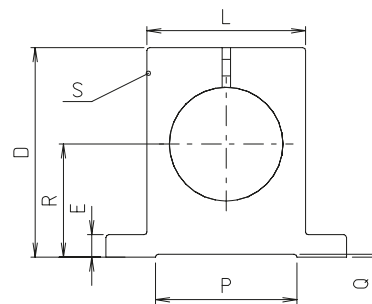
Solid Clamps – Base clamps

Order instruction:

- Quad® with stainless steel screws
- Clamping levers have to be ordered separately
Delivery unassembled
See table last column and page

On request quad®:

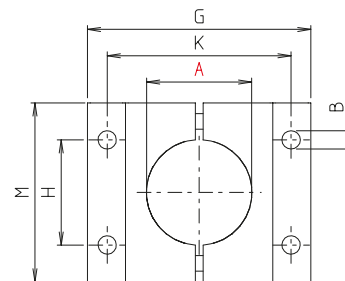
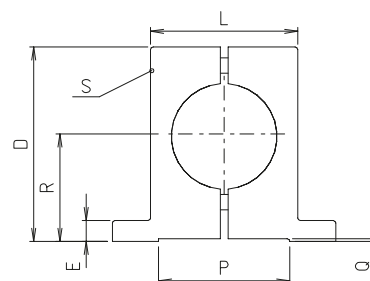
- Black anodized



FS - quad®

[mm]

Code No.	Type	A	B	C	D	E	G	H	K	L	M	P	Q	R	m [g]	Clamping lever S Code No.
53300000030	FS 30	30,1	7	21	58	6	70	28	56	42	49	35	1	30	182	9300101
53400000030	FS 40	40,1	7	28	74	8	85	40	70	56	62	50	1	40	369	9301401
53500000030	FS 50	50,2	9	35	92	10	110	50	90	70	77	60	1	50	738	9300401
53600000030	FS 60	60,2	9	42	112,5	12	137	60	110	85	90	71	2	60	1500	9301101



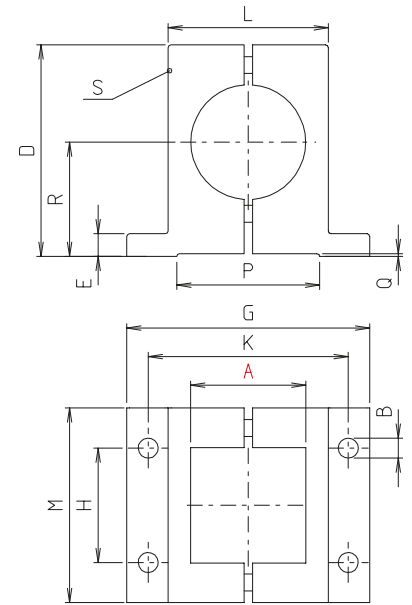
FR - quad®

[mm]

Code No.	Type	A	B	D	E	G	H	K	L	M	P	Q	R	m [g]	Clamping lever S Code No.
53300009030	FR 30	30,1	7	58	6	70	28	56	42	56	35	1	30	223	9300101
53400009030	FR 40	40,2	7	74	8	85	40	70	56	68	50	1	40	431	9301401
53500009030	FR 50	50,3	9	92	10	110	50	90	70	84	60	1	50	857	9300401
53600009030	FR 60	60,2	9	112,5	12	137	80	120	97	105	71	2	60	-	9301101
53800009030	FR 80	80,6	11	142	16	156	80	135	112	126	80	2	80	2858	9300801



FV - quad®

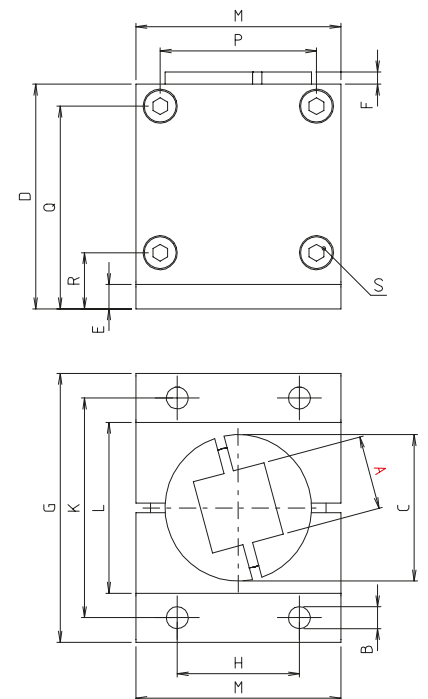


[mm]

Code No.	Type	A	B	D	E	G	H	K	L	M	P	Q	R	m [g]	Clamping lever S Code No.
53300005030	FV 30	30,2	7	58	6	70	28	56	42	56	35	1	30	197	9300101
53400005030	FV 40	40,3	7	73,5	8	85	40	70	56	68	50	1	40	375	9301401
53500005030	FV 50	50,4	9	92	10	110	50	90	70	84	60	1	50	750	9300401
53600005030	FV 60	60,4	9	112,5	12	137	80	120	97	105	71	2	60	-	9022801
53800005030	FV 80	80,4	11	142	16	156	80	135	112	126	80	2	80	2508	9300801



FRS - quad®



[mm]

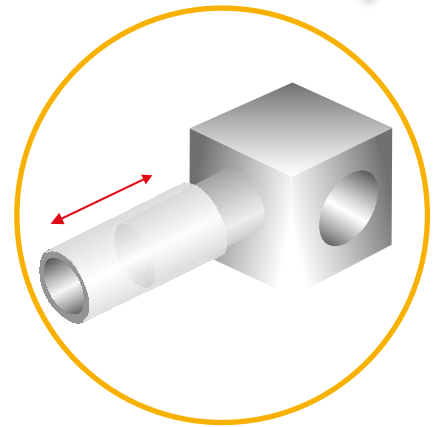
Code No.	Type	A	B	C	D	E	F	G	H	K	L	M	P	Q	R	m [g]	Clamping lever S Code No.
53300018030	FRS 30	30,3	9	70	92	10	5	110	50	90	70	84	64	83	135	1006	9300401
53500018030	FRS 50	50,5	11	122	142	16	5	156	80	135	112	126	100	130	30	3100	9300801

Solid Clamps – Insert clamps



Version:

■ Insert clamps



Single-piece elements

✓ For the quick and inexpensive installation



Industrial design

- Cast aluminium
- Great variety
- Single-piece elements

quad® elements

- Extruded aluminium
- Maximum torque loads
- High-quality anodized surface
- Single- and Multi-piece elements



Multi-piece elements

✓ Also suitable for subsequent assembly and expansion



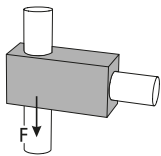
Block form

- Cast aluminium
- Higher torque loads
- Plain surface
- Multi-piece elements

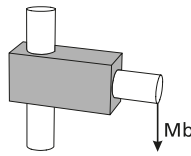
Loads insert clamps

Attention!

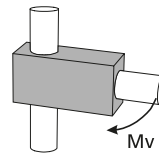
The data in the chart do not ensure a guarantee of quality or a warrant characteristic of our products. These are nonbinding standard values which might be not reached in individual cases due to the temperature or surface finish of the clamping profile.



Adhesion force F [KN]



Bending moment Mb [Nm]



Twisting moment Mv [Nm]

Tightening torque of clamping screws:

M6: 10 Nm
 M8: 25 Nm
 M10: 50 Nm

Material data sheet available upon request.

Size	18			30			40			50			60			80		
	F	Mb	Mv	F	Mb	Mv	F	Mb	Mv	F	Mb	Mv	F	Mb	Mv	F	Mb	Mv
Industrial design																		
S	1,1	38	18	4	316	87	4,7	605	79	5	850	363	13	1500				

Size	18			30			40			50			60			80		
	F	Mb	Mv	F	Mb	Mv	F	Mb	Mv	F	Mb	Mv	F	Mb	Mv	F	Mb	Mv
Block form																		
SR													8,1	441	255			
SV													5,9	471	329			

Size	18			30			40			50			60			80		
	F	Mb	Mv	F	Mb	Mv	F	Mb	Mv	F	Mb	Mv	F	Mb	Mv	F	Mb	Mv
quad® elements																		
SW	2,7	182	58	3,3	352	68	5,8	994	147									
SK	2,2	188	51	1,5	291	59	6,9	994	167									
SFK	1,6	188	33	1,1	295	89	6,3	994	159									

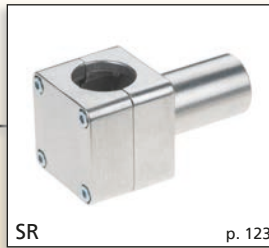
Solid Clamps – Insert clamps

Right angle tube connector

Industrial design



Block form



quad® elements



Solid Clamps – Insert clamps

Order instruction:

- Standard equipment premounted zinc plated screws
- Clamping levers have to be ordered separately
Delivery unassembled
See table last column and page 230

On request:

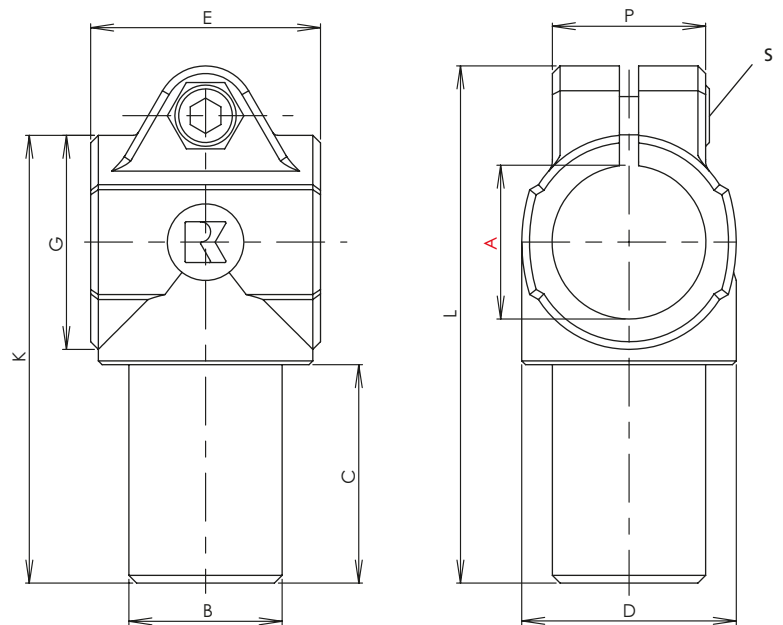
- Stainless steel screws
- Ball-polished
- Colour



Type: S 18/18, S 20/20, S 25/25, S 30/30,
S 40/40, S 50/50, S 60/60



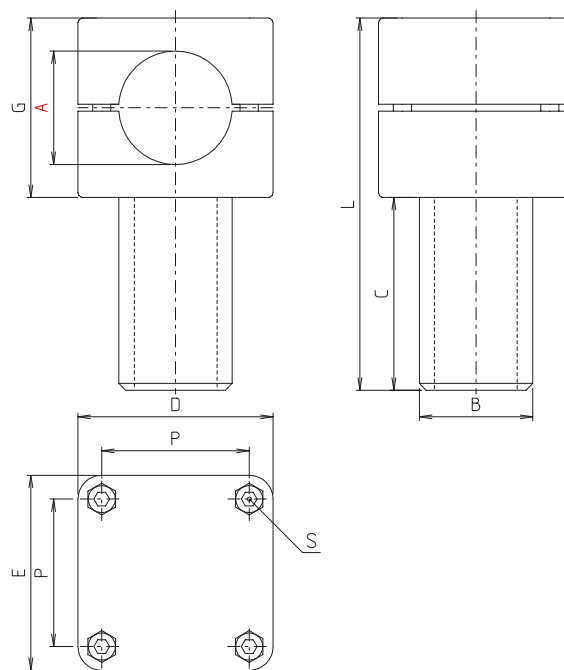
Type: S 20/30, S 25/30



S - Industrial design

[mm]

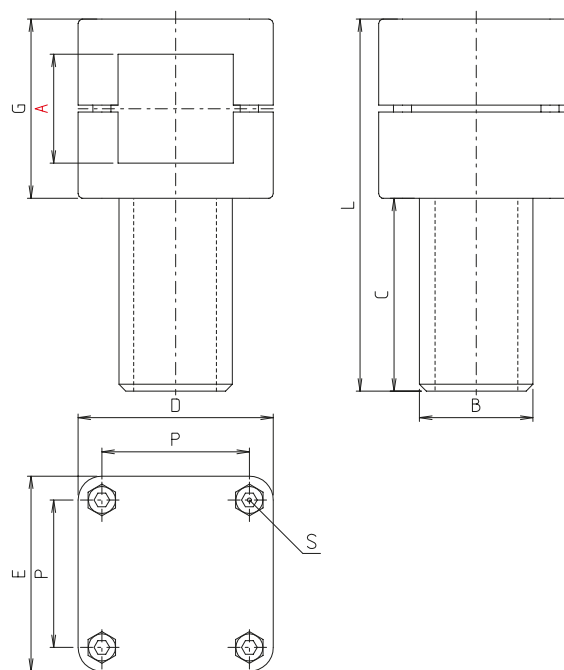
Code No.	Type	A	B	C	D	E	G	K	L	P	m [g]	Clamping lever S Code No.
16181800020	S 18/18	18,1	18,1	33	26	32	26	62	72,5	21	56	90209
16202000020	S 20/20	20	20	42	40	45	40	87	95	33	180	9022201
16203000020	S 20/30	20	30						95		205	
16252500020	S 25/25	25,1	25,1						100		188	
16253000020	S 25/30	25,1	30						95		185	
	S 28/30*	*With adapter sleeve R28, see accessories page 231										
16303000020	S 30/30	30,1	30,1	42	40	45	40	87	100	33	174	9022201
16404000020	S 40/40	40,17	40,17	57	56	60	56	117	135	40	484	90250
16505000020	S 50/50	50,2	50					137	154	45	623	90251
16606000020	S 60/60	60,27	60,1	82	80	85	80	165	188	58	1128	9025301



SR - Block form

[mm]

Code No.	Type	A	B	C	D	E	G	L	P	m [g]	Clamping lever S Code No.
26420003026	SR 42	42,3	50	85	86	86	79	164	65	1134	9022901
26500003026	SR 50	50,3								1116	



SV - Block form

[mm]

Code No.	Type	A	B	C	D	E	G	L	P	m [g]	Clamping lever S Code No.
26500005026	SV 50	50,5	50	85	86	86	79	164	65	1058	9022901

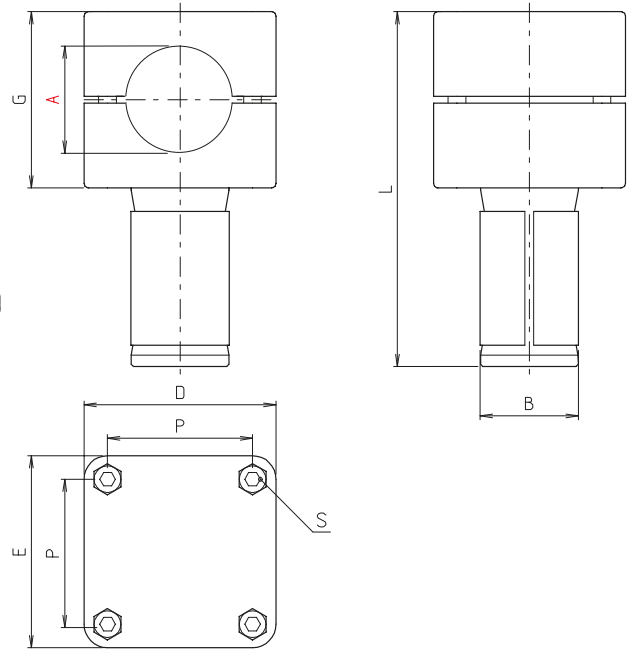
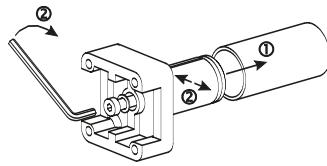
Solid Clamps – Insert clamps

Order instruction:

- Standard equipment premounted zinc plated screws
- Clamping levers have to be ordered separately
Delivery unassembled
See table last column and page 230

On request:

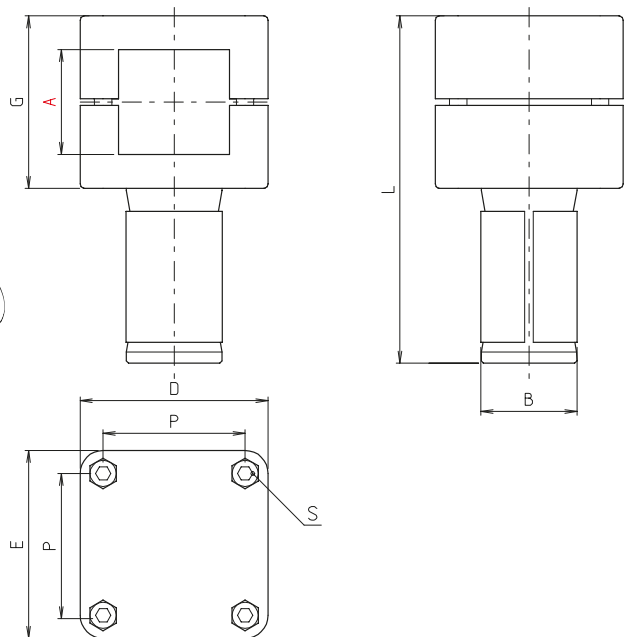
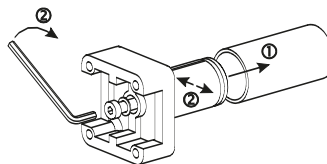
- Stainless steel screws
- Ball-polished
- Colour



SRX - Block form

[mm]

Code No.	Type	A	B	D	E	G	L	P	m [g]	Clamping lever S Code No.
26500009026	SRX 50	50,3	43,8	86	86	79	164	65	1200	9022901

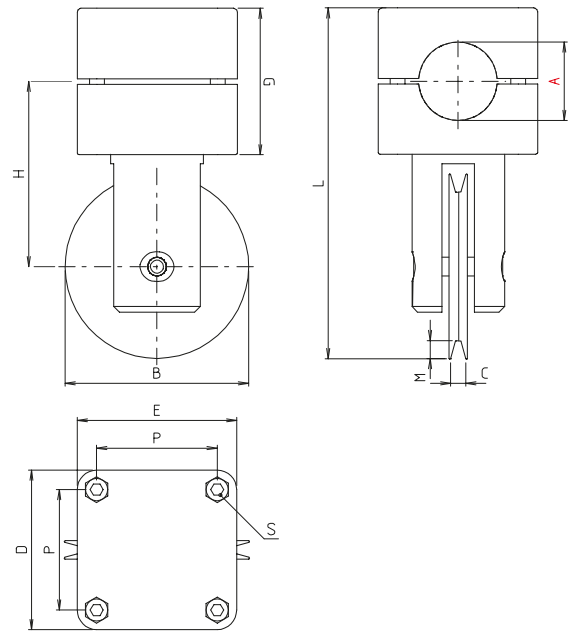


SVX - Block form

[mm]

Code No.	Type	A	B	D	E	G	L	P	m [g]	Clamping lever S Code No.
26500010026	SVX 50	50,5	43,8	86	86	79	164	65	1200	9022901

- Rope pulley: polyamide
- max. load 560 N

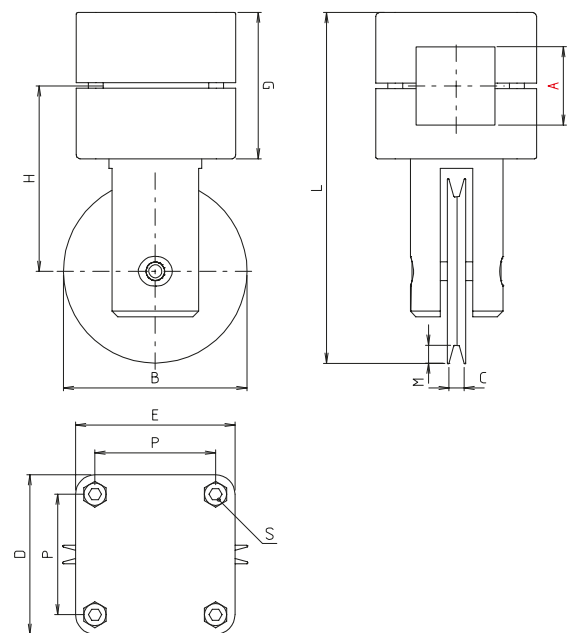
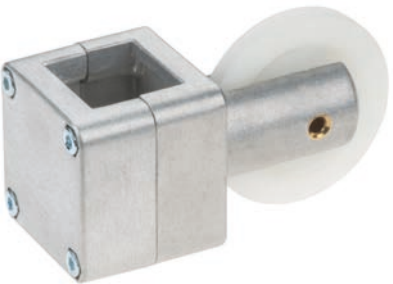


SRO - Block form

[mm]

Code No.	Type	A	B	C	D	E	G	H	L	M	P	m [g]	Clamping lever S Code No.
26420007026	SRO 42	42,3	100	8	86	86	79	100	189,5	10	65	1170	9022901
26450007026	SRO 45	45,3										1180	
26500007026	SRO 50	50,3										1200	

- Rope pulley: polyamide
- max. load 560 N



SVO - Block form

[mm]

Code No.	Type	A	B	C	D	E	G	H	L	M	P	m [g]	Clamping lever S Code No.
26500008026	SVO 50	50,5	100	8	86	86	79	100	189,5	10	65	1190	9022901

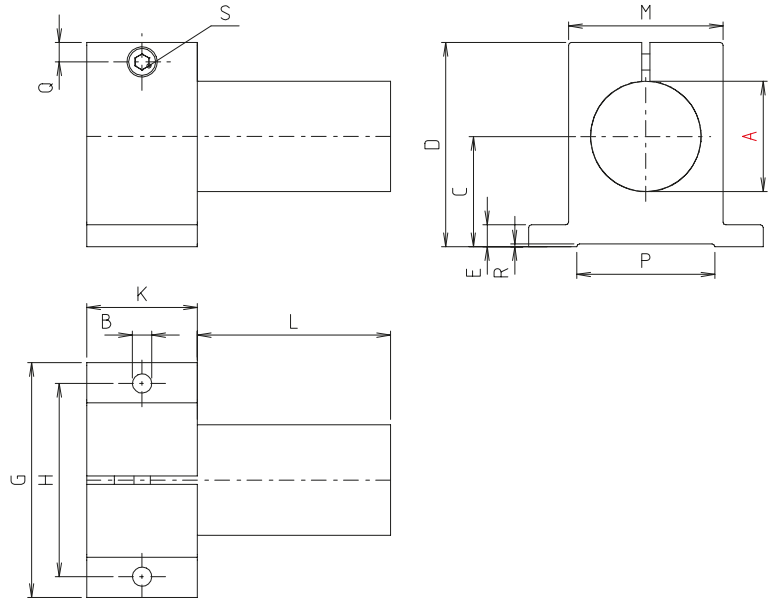
Solid Clamps – Insert clamps

Order instruction:

- Quad® with stainless steel screws
- Clamping levers have to be ordered separately
Delivery unassembled
See table last column and page

On request quad®:

- Black anodized



SFK - quad®

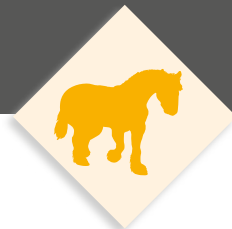
[mm]

Code No.	Type	A	B	C	D	E	G	H	K	L	M	P	Q	R	m [g]	Clamping lever S Code No.
56300015030	SFK 30	30	7	30	58	6	70	56	30	42	42	35	7	1	187	9300101
56400015030	SFK 40	40	7	40	74	8	85	70	40	56	56	50	7	1	427	9301401
56500015030	SFK 50	50	9	50	92	10	110	90	50	70	70	60	9	1	820	9300401



Photo table made from quad[®] tube connectorp. The design can be tailored to the individual circumstancep.

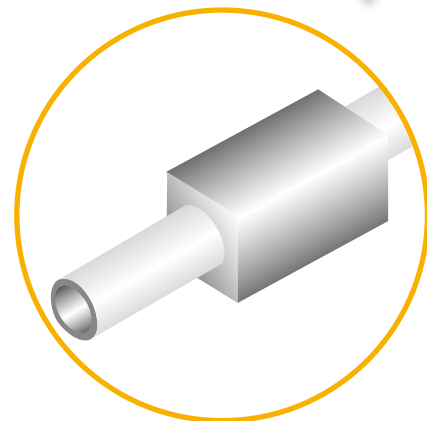
Solid Clamps – Sleeve clamps



Version:

■ Sleeve clamps

delivery
from stock



Single-piece elements

✓ For the quick and inexpensive installation



Industrial design

- Cast aluminium
- Great variety
- Single-piece elements



Block form

- Cast aluminium
- Higher torque loads
- Plain surface
- Multi-piece elements



quad® elements

- Extruded aluminium
- Maximum torque loads
- High-quality anodized surface
- Single- and Multi-piece elements



Multi-piece elements

✓ Also suitable for subsequent assembly and expansion



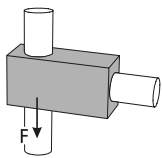
quad® elements

- Extruded aluminium
- Maximum torque loads
- High-quality anodized surface
- Single- and Multi-piece elements

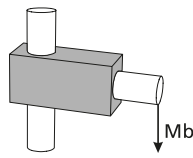
Loads sleeve clamps

Attention!

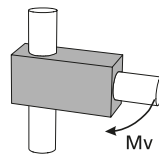
The data in the chart do not ensure a guarantee of quality or a warrant characteristic of our products. These are nonbinding standard values which might be not reached in individual cases due to the temperature or surface finish of the clamping profile.



Adhesion force F [KN]



Bending moment Mb [Nm]



Twisting moment Mv [Nm]

Tightening torque of clamping screws:

M6: 10 Nm
M8: 25 Nm
M10: 50 Nm

Material data sheet available upon request.

Size	10			18			30			40			50			60		
	F	Mb	Mv	F	Mb	Mv	F	Mb	Mv	F	Mb	Mv	F	Mb	Mv	F	Mb	Mv
Industrial design																		
M							1,9	435		4,7	698		2,8	1000		15	2400	
MD							2,7	440		5	994		2,7	1000				
MH							4,7			10			9,4					

Size	10			18			30			40			50			60		
	F	Mb	Mv	F	Mb	Mv	F	Mb	Mv	F	Mb	Mv	F	Mb	Mv	F	Mb	Mv
Block form																		
M				141			5,3	351		9,2	519		6,5	875				
MD							1,8	451		8	713		4	1000		1,5	1125	

Size	30			40			50			80		
	F	Mb	Mv	F	Mb	Mv	F	Mb	Mv	F	Mb	Mv
quad® elements												
M	11,2	352		8,0	619		11,8	1267				
MD	6,2	324		7,8	612		8	1267				
MH	2,6			3,4			7,8					
MR	9	810		4,5	1024		12,6	1596				
MV	7,8	433		2,5	1074		7,4	1568				
MVR	3,6	491		1,9	975		7,4	1568				

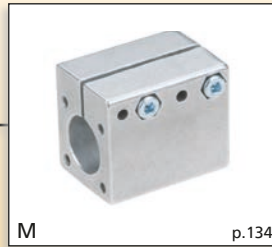
Solid Clamps – Sleeve clamps

Axially parallel tube connector

Industrial design



Block form



quad® elements





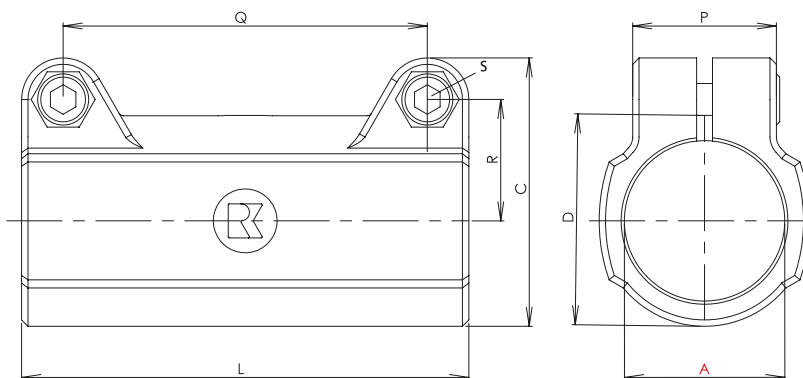
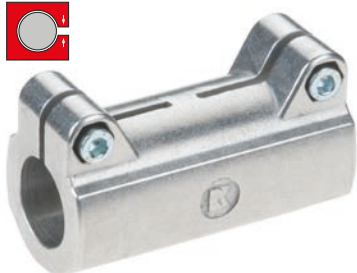
Solid Clamps – Sleeve clamps

Order instruction:

- Standard equipment premounted zinc plated screws
- Clamping levers have to be ordered separately
Delivery unassembled
See table last column and page 230

On request:

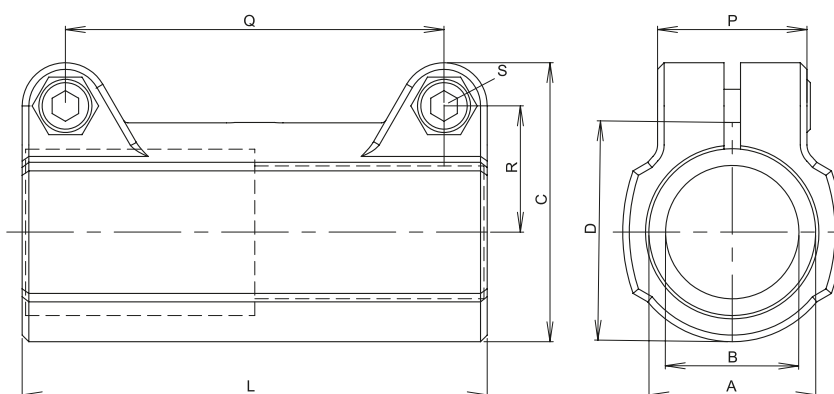
- Stainless steel screws
- Ball-polished
- Colour



M - Industrial design

[mm]

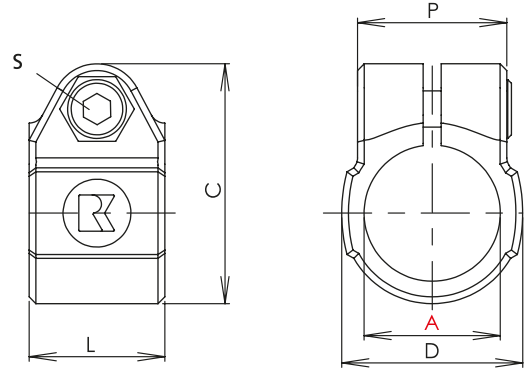
Code No.	Type	A	C	D	L	P	Q	R	m [g]	Clamping lever S Code No.
14200000200	M 20	20,1	53	40	80	33	60	22,5	256	9022201
14250000200	M 25	25,1							220	
	M 28*	*With adapter sleeve R28, see accessories page 231								
14300000200	M 30	30,1	53	40	80	33	60	22,5	176	9022201
14400000200	M 40	40,17	73	56	120	40	94	32	501	9025001
14500000200	M 50	50,22	84	66	140	45	114	38	650	90251
14600000200	M 60	60,27	103	80	150	58	118	47	1092	9025301



MD - Industrial design

[mm]

Code No.	Type	A	B	C	D	L	P	Q	R	m [g]	Clamping lever S Code No.
	MD 28x25*	*With adapter sleeve R28, see accessories page 231									
143025010200	MD 30x25	30,1	25,1	53	40	80	33	60	22,5	176	9022201
144032010200	MD 40x32	40,17	32,15	73	56	120	40	94	32	501	9025001
145040010200	MD 50x40	50,22	40,17	84	66	140	45	114	38	822	90251
146048010200	MD 60x48	60,27	48,27	103	80	150	58	118	47	1288	9025301



MH - Industrial design

[mm]

Code No.	Type	A	C	D	L	P	m [g]	Clamping lever S Code No.
14300002020	MH 30	30,1	53	40	30	33	80	9022201
14400002020	MH 40	40,15	73	56	40	40	200	9025001
14500002020	MH 50	50,22	84	66	42	45	240	90251



Roller block made from quad® clamp connectorp. Individually adjustable.

Solid Clamps – Sleeve clamps

Order instruction:

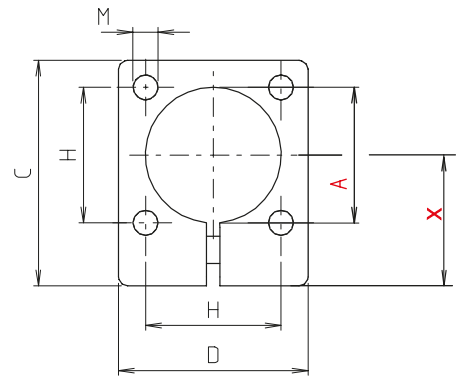
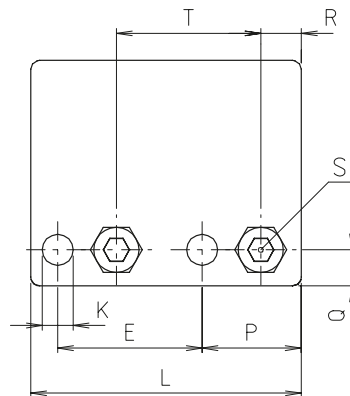
- Block form zinc plated screws Quad® with stainless steel screws
- Clamping levers have to be ordered separately
Delivery unassembled
See table last column and page 230

On request:

- Stainless steel screws
- Ball-polished
- Colour

On request quad®:

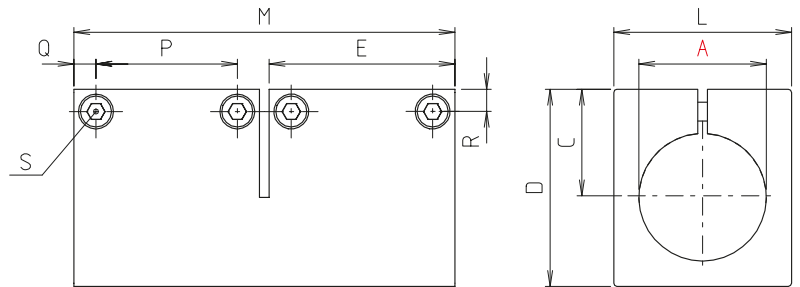
- Black anodized



M - Block form

[mm]

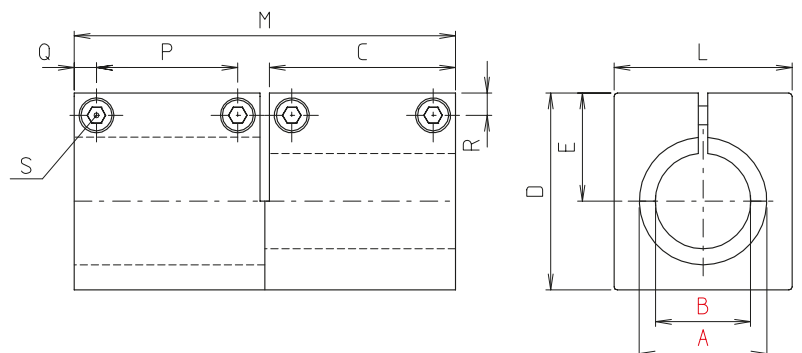
Code No.	Type	A	C	D	E	H	K	L	M	P	Q	R	T	X	m [g]	Clamping lever S Code No.
2418000026	M 18	18	34	26	-	-	-	40	-	-	7	7	20	21	66	9302501



M - quad®

[mm]

Code No.	Type	A	C	D	E	L	M	P	Q	R	m [g]	Clamping lever S Code No.
543000000300	M 30	30,1	28	49	44	42	90	30	7	7	326	9300101
544000000300	M 40	40,1	34	62	58,5	56	120	44,5	7	7	703	9301401
545000000300	M 50	50,2	42	77	68	70	140	48	10	9	1300	9300401



MD - quad®

[mm]

Code No.	Type	A	B	C	D	E	L	M	P	Q	R	m [g]	Clamping lever S Code No.
543020010300	MD 30x20	30,1	20,1	44	49	28	42	90	30	7	7	371	9300101
544030010300	MD 40x30	40,1	30,1	58,5	62	34	56	120	44,5	7	7	789	9301401
545040010300	MD 50x40	50,2	40,2	68	77	42	70	140	48	10	9	1426	9300401

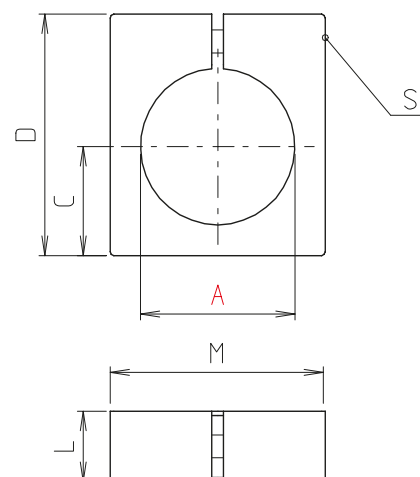
Solid Clamps – Sleeve clamps

Order instruction:

- Quad® with stainless steel screws
- Clamping levers have to be ordered separately
Delivery unassembled
See table last column and page

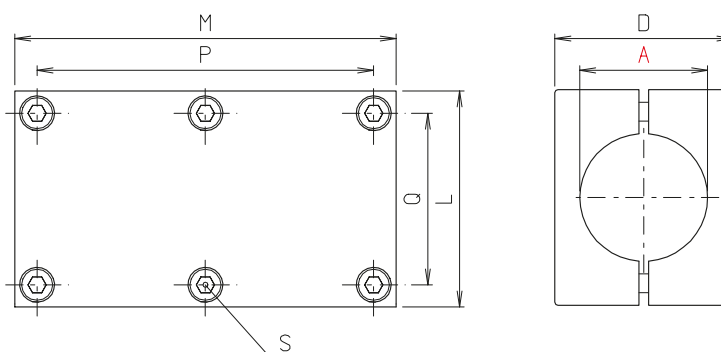
On request quad®:

- Black anodized



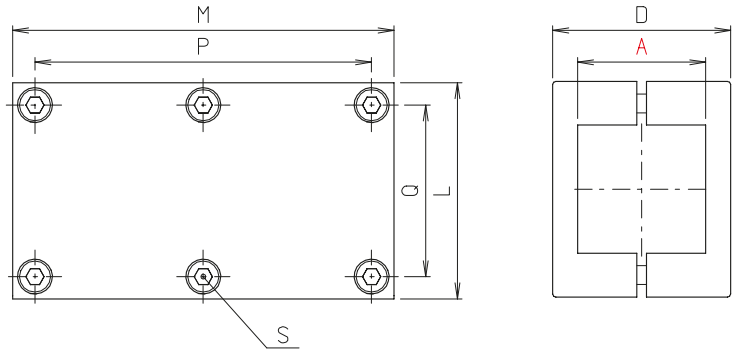
MH - quad®

Code No.	Type	A	C	D	L	M	R	m [g]	Clamping lever S Code No.
54300002030	MH 30	30,1	21	49	16	42	7	59	9300101
54400002030	MH 40	40,1	28	62	18	56	7	108	9301401
54500002030	MH 50	50,2	35	77	20	70	9	191	9300401



MR - quad®

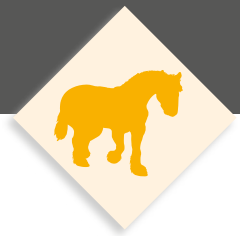
Code No.	Type	A	D	L	M	P	Q	m [g]	Clamping lever S Code No.
54300003030	MR 30	30,1	42	56	90	76	42	404	9300101
54400003030	MR 40	40,2	56	68	120	106	54	800	9301401
54500003030	MR 50	50,3	70	85	140	120	67	1523	9300401
54600003030	MR 60	60,3	97	105	200	180	85	3943	9022801


MV - quad®

[mm]

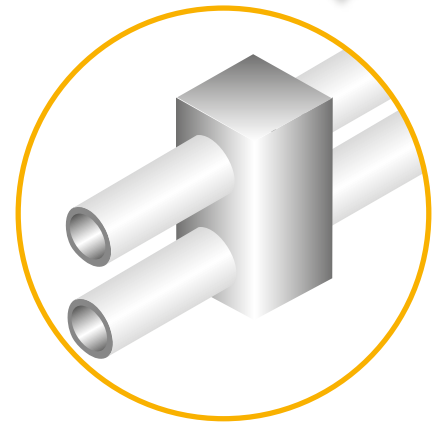
Code No.	Type	A	D	L	M	P	Q	m [g]	Clamping lever S Code No.
54300004030	MV 30	30,2	42	56	90	76	42	355	9300101
54400004030	MV 40	40,3	56	68	120	106	54	705	9301401
54500004030	MV 50	50,4	70	85	140	120	67	1302	9300401
54600004030	MV 60	60,4	97	105	200	180	85	3500	9022801

Solid Clamps – Parallel clamps



Version:

■ Parallel clamps



Single-piece elements

✓ For the quick and inexpensive installation



Industrial design

- Cast aluminium
- Great variety
- Single-piece elements



Block form

- Cast aluminium
- Higher torque loads
- Plain surface
- Multi-piece elements



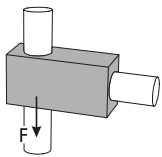
quad® elements

- Extruded aluminium
- Maximum torque loads
- High-quality anodized surface
- Single- and Multi-piece elements

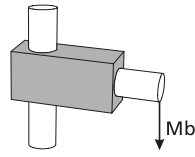
Loads parallel clamps

Attention!

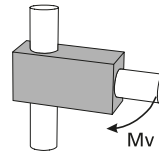
The data in the chart do not ensure a guarantee of quality or a warrant characteristic of our products. These are nonbinding standard values which might be not reached in individual cases due to the temperature or surface finish of the clamping profile.



Adhesion force F [kN]



Bending moment Mb [Nm]



Twisting moment Mv [Nm]

Tightening torque of clamping screws:

M6: 10 Nm
M8: 25 Nm
M10: 50 Nm

Material data sheet available upon request.

Size Type	10			18			30			40			50			60		
	F	Mb	Mv	F	Mb	Mv	F	Mb	Mv	F	Mb	Mv	F	Mb	Mv	F	Mb	Mv
Industrial design																		
P							2,7	100	40	12,2	700	317	8,9	1250	243			

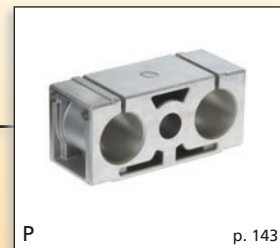
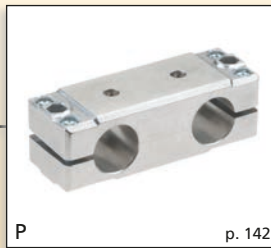
Block form																		
				3,6	201	19	6	1210	97	11,5	1395	316	11,5	1250	181	13,5	1500	

Size Type	30			40			50			80		
	F	Mb	Mv	F	Mb	Mv	F	Mb	Mv	F	Mb	Mv
quad® elements												
P	3,7	970	57	4,8	787	48	6,3	1650	159			
PFK	3,7	600	57	4,7	827	41	6,3	1500	159			
PF	2,1	1500	42	2,4	945	40	5,8	1500	118			

Solid Clamps – Parallel clamps

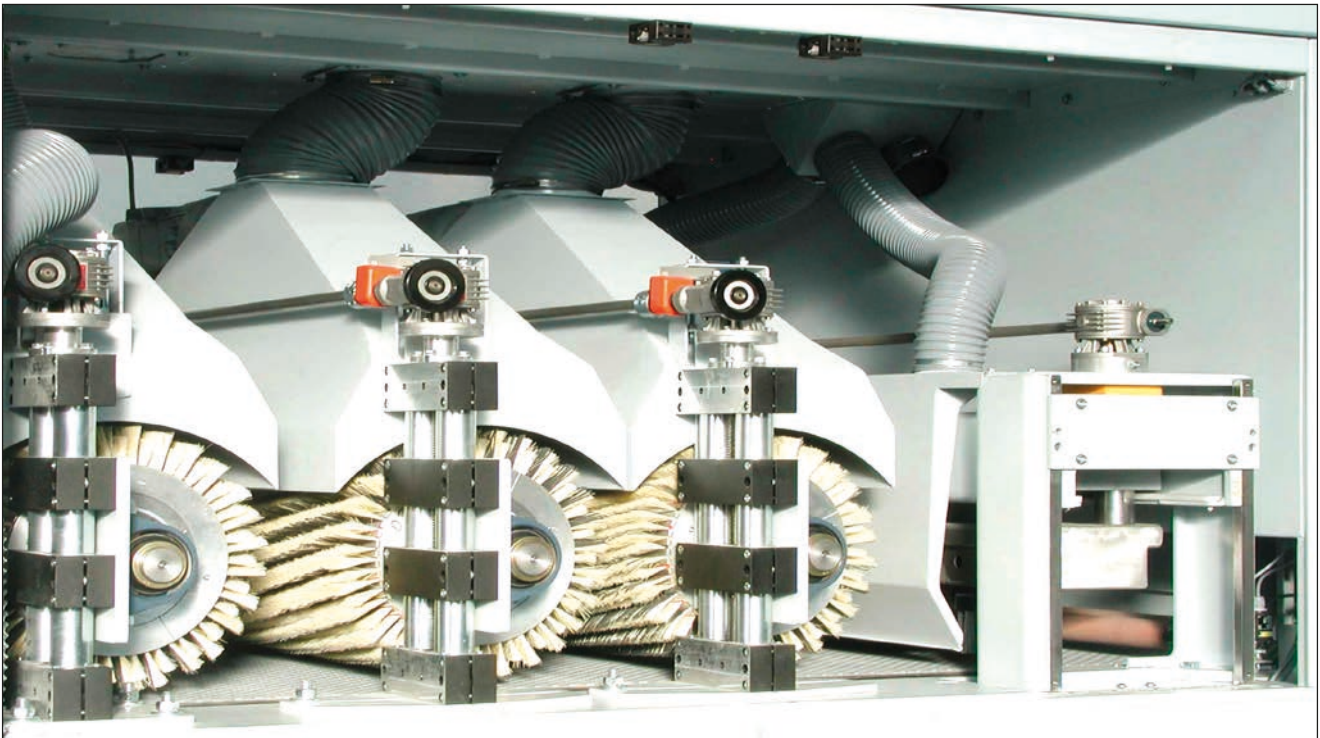
Axially parallel tube connector

Industrial design



Block form





Height adjustment of a system for surface processing.

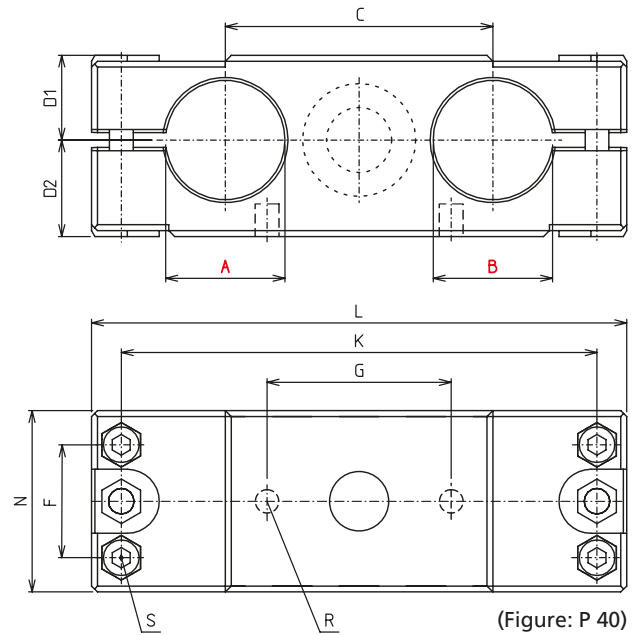
Solid Clamps – Parallel clamps

Order instruction:

- Standard equipment premounted zinc plated screws
- Clamping levers have to be ordered separately
Delivery unassembled
See table last column and page 230

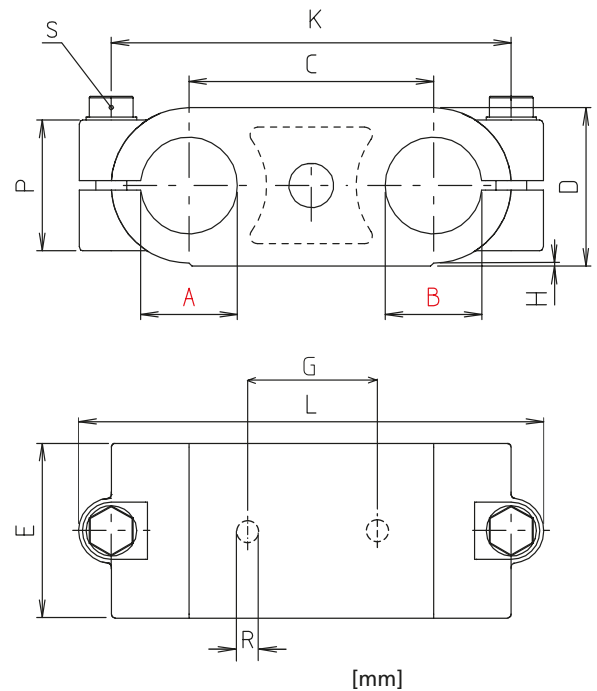
On request:

- Stainless steel screws
- Ball-polished
- Colour



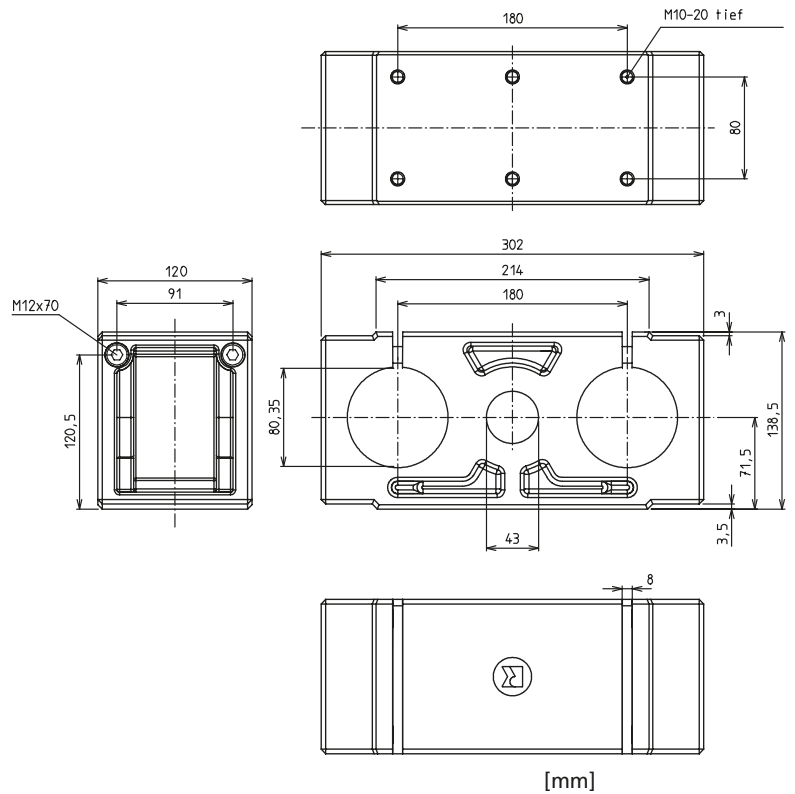
P - Industrial design

Code No.	Type	A	B	C	D1	D2	F	G	H	K	L	N	P	R	m [g]	Clamping lever S Code No.
151200000200	P 12	12,1	12,1	40	13,6	15	-	18	-	68	82	28,5	-	M5	140	9020101
151400000200	P 14	14,1	14,1												134	
151600000200	P 16	16,1	16,1												128	
151800000200	P 18	18,1	18,1												120	
154000000200	P 40	40,17	40,17												90	



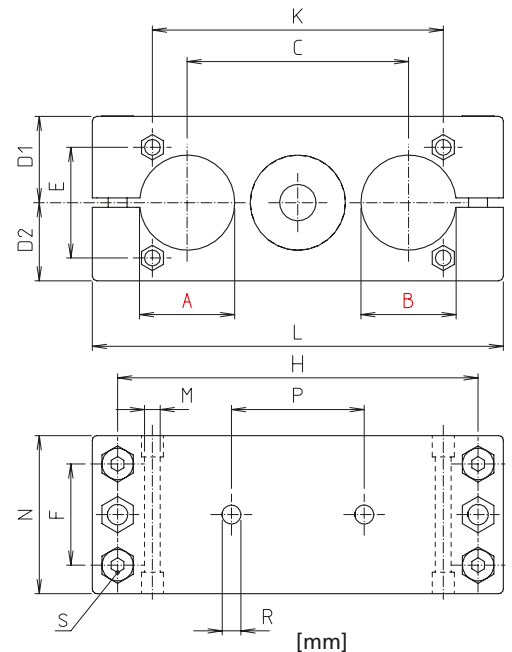
P - Industrial design

Code No.	Type	A	B	C	D	E	G	H	K	L	N	P	R	m [g]	Clamping lever S Code No.
152000000200	P 20	20,1	20,1	63	41	45	41	1	103	120	45	33	M5	367	9022401
152500000200	P 25	25,1	25,1											330	
153000000200	P 30	30,1	30,1											269	



P - Industrial design

Code No.	Type	m [g]	Clamping lever S Code No.
158000000200	P 80	7920	9025601

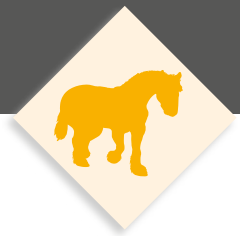


PB - Block form

Code No.	Type	A	B	C	D1	D2	E	F	G	H	K	L	M	N	O	P	R	X	m [g]	Clamping lever S Code No.
252000000266	PB 20	20,1	20,1	70	27	25	35	32	40x30	114	92	130	5,3*	50	4,2-10 prof	42	M6	28	733	9021501
253000000266	PB 30	30,1	30,1																622	
254800000266	PB 48	48,2	48,2	100	36,5	35	50	50	46	206	150	206	8,5	72	5,5	62	M8	38	1799	9022801
255000000266	PB 50	50,2	50,2																1794	
256000000266	PB 60	60,3	60,25	130	44	42	60	56	55	216	185	240	8,5	80	6,5	74	M10	45	2727	-

* Counterbore 20 deep, without hexagonal. The type 12-18 and 40 are no longer available. They are replaced by industrial design. See page 138

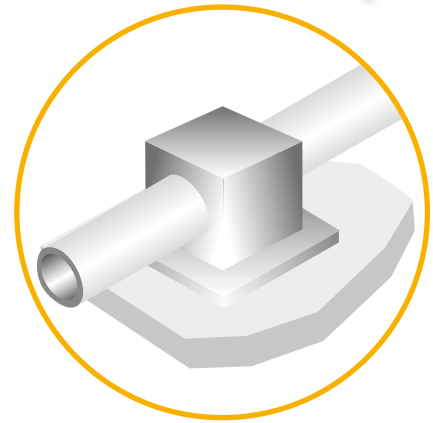
Solid Clamps – Flange clamps



Version:

■ Flange clamps

delivery
from stock



Single-piece elements

✓ For the quick and inexpensive installation



Industrial design

- Cast aluminium
- Great variety
- Single-piece elements



quad® elements

- Extruded aluminium
- Maximum torque loads
- High-quality anodized surface
- Single- and Multi-piece elements



Multi-piece elements

✓ Also suitable for subsequent assembly and expansion



quad® elements

- Extruded aluminium
- Maximum torque loads
- High-quality anodized surface
- Single- and Multi-piece elements



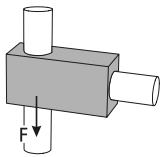
Block form

- Cast aluminium
- Higher torque loads
- Plain surface
- Multi-piece elements

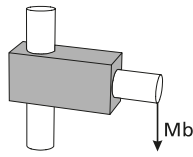
Loads flange clamps

Attention!

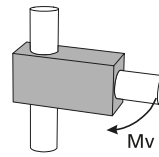
The data in the chart do not ensure a guarantee of quality or a warrant characteristic of our products. These are nonbinding standard values which might be not reached in individual cases due to the temperature or surface finish of the clamping profile.



Adhesion force F [KN]



Bending moment Mb [Nm]



Twisting moment Mv [Nm]

Tightening torque of clamping screws:

M6: 10 Nm
M8: 25 Nm
M10: 50 Nm

Material data sheet available upon request.

Size Type	18			30			40			50			60			80		
	F	Mb	Mv	F	Mb	Mv	F	Mb	Mv	F	Mb	Mv	F	Mb	Mv	F	Mb	Mv
Industrial design																		
FK	1,1	128	21	4,9	200	95	8,9	504	254	11,6	750	1025	9,9	1393	253			
FKR				6,8	429	117	6	1190	152									
FKV				5,2	270	381	3	1247	955									
R				6,8			6											
V				5,2			3											
RH				4,0			6,1			4,9			5,1			6,3		
VH				1,7			2,5			3			4			10		

Size Type	18			30			40			50			60			80		
	F	Mb	Mv	F	Mb	Mv	F	Mb	Mv	F	Mb	Mv	F	Mb	Mv	F	Mb	Mv
Block form																		
FKR				4,3	438	96	2,5	450	700	8,2	1465	260	12,2	1456	255	10	2500	602
FKV				3,5	304	372	1,5	450	320	5,9	937	1250	7,8	1688	1203	20	2500	2250
R				4,3			5,7			9,4			12,2			10		
V				3,5			2,8			5,9			7,9			19		
RH				4,0			6,1			4,9			5,1			6,3		
VH				1,7			2,5			3			4			10		

Size Type	18			30			40			50			60			80		
	F	Mb	Mv	F	Mb	Mv	F	Mb	Mv	F	Mb	Mv	F	Mb	Mv	F	Mb	Mv
quad® elements																		
R				6,2			7,1			11,8						19,4		
RH				3,1			3,5			5,8						7,5		
V				5			7,4			7,5						20,1		
VH				1,9			4,2			2,6						7,7		
FK				2,5	484	59	4,9	750	89	6,3	1620	159						
FKH				2,7	96	48	3,2	102	62	5,6	230	86						
FKR				6,2	657	90	7,1	786	121	11,9	2146	272				19,4		950
FKRH				3,1	105	47	3,5	110	87	5,8	287	70				7,5		243
FKV				5	590	338	7,4	682	743	7,5	1904	1100				20,1		
FKVH				2,5	109	134	4,2	102	451	2,6	297	563				7,7		

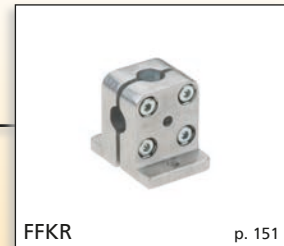
Solid Clamps – Flange clamps

Axially parallel tube connector

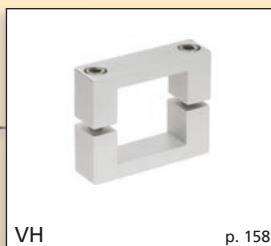
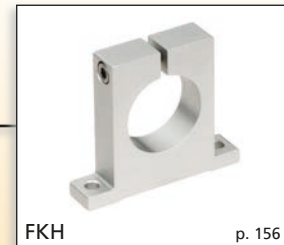
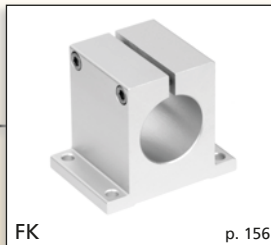
Industrial design

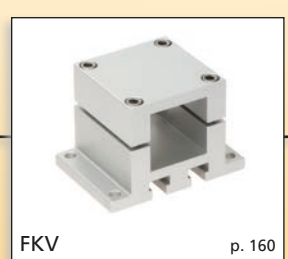
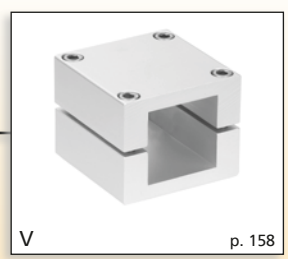
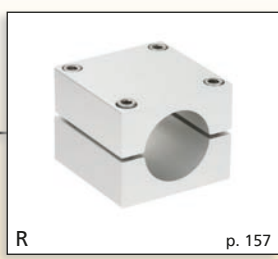
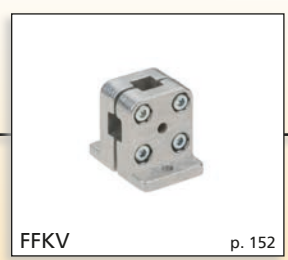
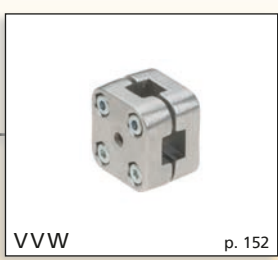
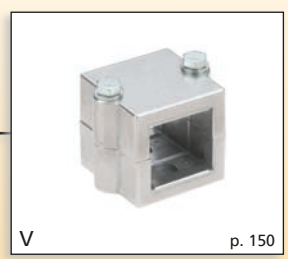
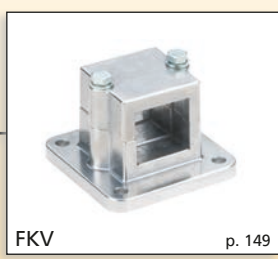


Block form



quad® elements





Solid Clamps – Flange clamps

Order instruction:

- Standard equipment premounted zinc plated screws
- Clamping levers have to be ordered separately
Delivery unassembled
See table last column and page 230

On request:

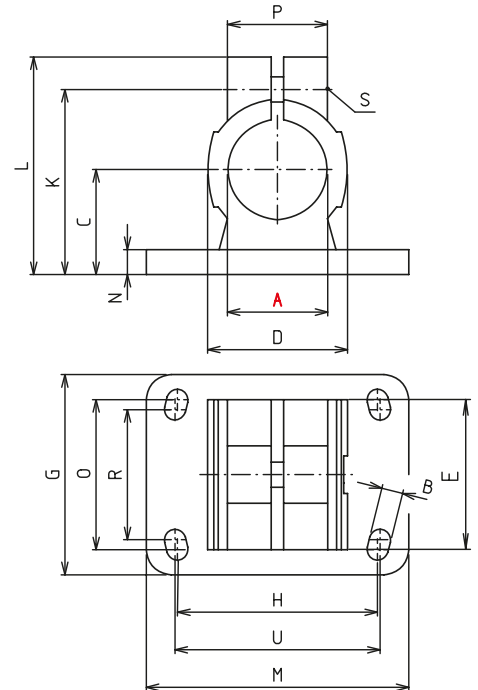
- Stainless steel screws
- Ball-polished
- Colour



FK 30-4 - 80
(4 drills, 20-60 with slotted hole)

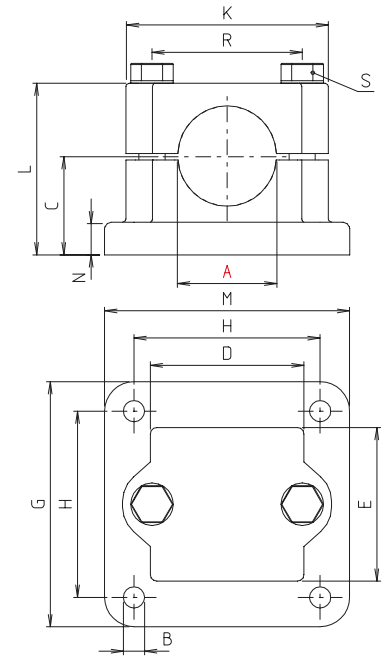


FK 12-30
(2 central holes)



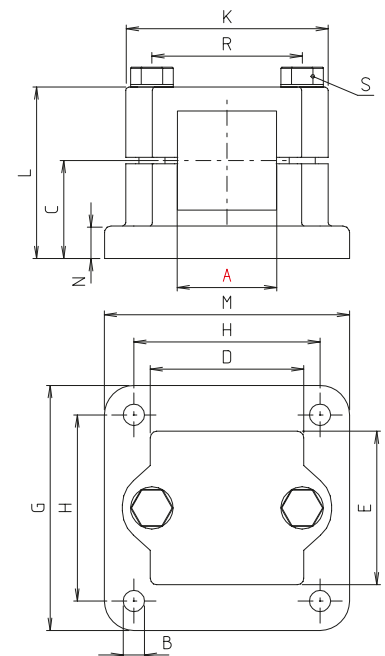
FK - Industrial design

Code No.	Type	A	B	C	D	E	G	H**	K	L	M	N	O*	P	R	U	m [g]	Clamping lever S Code No.
12120000020	FK 12	12,1															67	90209
12140000020	FK 14	14,1															64	
12150000020	FK 15	15,1	6	18	25	35	35	38	32,5	41	50	5	-	23	-	40	62	
12160000020	FK 16	16,1															60	
12180000020	FK 18	18,1															56	
12200000020	FK 20	20,1											-	33	-		202	9022201
12200100020	FK 20-4	20,1	7	30	40	40	55	53	53	63	78	7	40		35	60	205	
12250000020	FK 25	25,1											-		-		184	
12250100020	FK 25-4	25,1											40		35		188	
	FK 28*	*With adapter sleeve R28, see accessories page 231																
12300000020	FK 30	30,1	7	30	40	40	55	53	53	63	78	7	-	33	-	60	162	9022201
12300100020	FK 30-4	30,1											40	33	35		166	
12300200020	FK30(32)	30,1															489	90250
12320000020	FK 32	32,17	9	42	56	60	80	80	74	87	105	10	60	40	52	82	473	
12350000020	FK 35	35,15															449	
12400000020	FK 40	40,17															404	
12400200020	FK40(42)	40,17															703	
12420000020	FK 42	42,22	11	50	66	65	90	98	85	98	128	14	62	45	60	100	682	90251
12480000020	FK 48	48,22															610	
12500000020	FK 50	50,22															585	
12600000020	FK 60	60,27	11	60	80	80	110	100	107	123	150	15	80	58	74	118	1048	9025301
12800000020	FK 80	80,35	17,5	80	110	123	164,7	140	140	162,5	180	20	120	82	-	-	2930	9027001



FKR - Industrial design

Code No.	Type	A	B	C	D	E	G	H	K	L	M	N	R	m [g]	Clamping lever S Code No.
12200003020	FKR 20	20,2	7	30	45	45	75	57	62	52,5	75	10	46	314	9022601
12250003020	FKR 25	25,2												301	
12300003020	FKR 30	30,2												285	
12350003020	FKR 35	35,2	9	40	60	60	100	76	75	70	100	10	57	569	9022901
12400003020	FKR 40	40,2												545	



FKV - Industrial design

Code No.	Type	A	B	C	D	E	G	H	K	L	M	N	R	m [g]	Clamping lever S Code No.
12200005020	FKV 20	20,2	7	30	45	45	75	57	62	52,5	75	10	46	302	9022601
12250005020	FKV 25	25,3												292	
12300005020	FKV 30	30,3												273	
12350005020	FKV 35	35,4	9	40	60	60	100	76	75	70	100	10	57	555	9022901
12400005020	FKV 40	40,4												530	

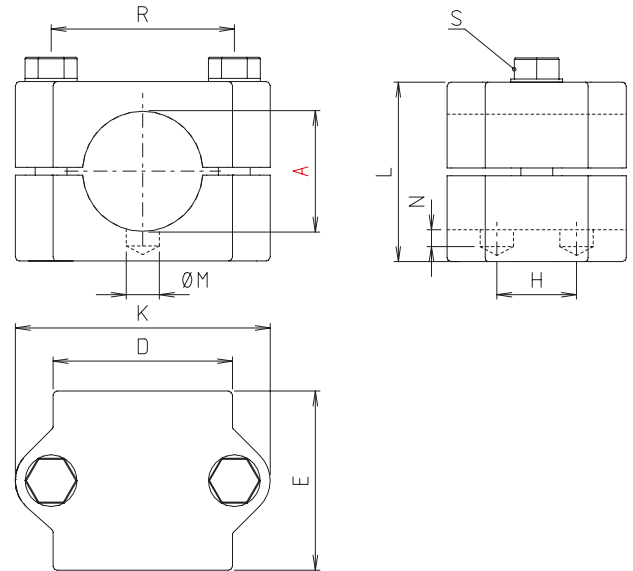
Solid Clamps – Flange clamps

Order instruction:

- Standard equipment premounted zinc plated screws
- Clamping levers have to be ordered separately
Delivery unassembled
See table last column and page 230

On request:

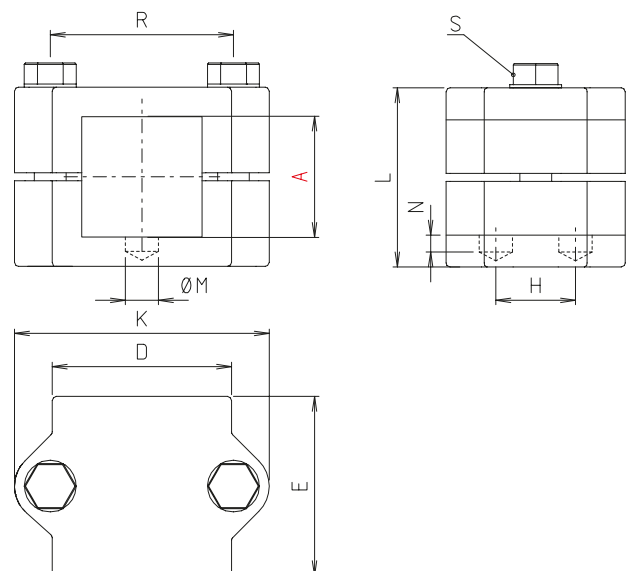
- Stainless steel screws
- Ball-polished
- Colour



R - Industrial design

[mm]

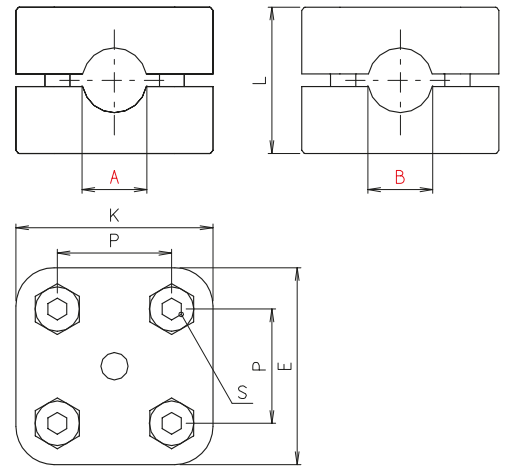
Code No.	Type	A	D	E	H	K	L	M	N	R	m [g]	Clamping lever S Code No.
12200007020	R 20	20,1	45	45	20	62	45	10	3	46	211	9022501
12250007020	R 25	25,2									210	
12300007020	R 30	30,2									194	
12350007020	R 35	35,2	60	60	26	75	60	14	5,5	57	376	9022801
12400007020	R 40	40,2									360	



V - Industrial design

[mm]

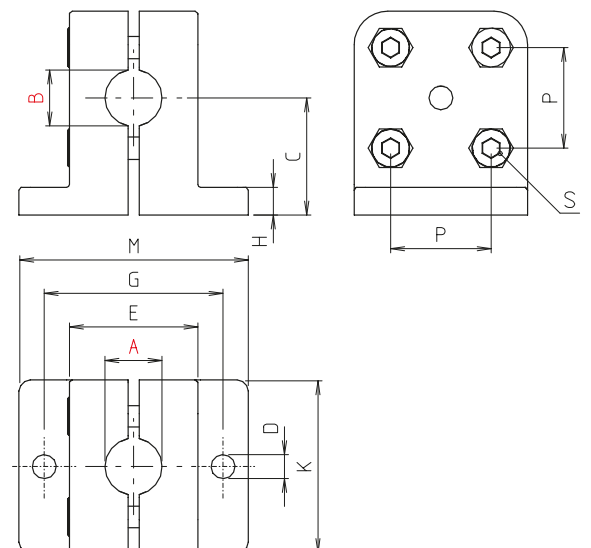
Code No.	Type	A	D	E	H	K	L	M	N	R	m [g]	Clamping lever S Code No.
12200008020	V 20	20,3	45	45	20	62	45	10	3	46	202	9022501
12250008020	V 25	25,3									197	
12300008020	V 30	30,3									187	
12350008020	V 35	35,4	60	60	26	75	60	14	5,5	57	361	9022801
12400008020	V 40	40,4									334	



RRW - Block form

[mm]

Code No.	Type	A	B	E	K	L	P	S	m [g]
290800040266	RRW 8*	8	8	31	31	23	18	M4x18	47
291000040266	RRW 10	10	10						46



FFKR - Block form

[mm]

Code No.	Type	A	B	C	D	E	G	H	K	L	M	P	S	m [g]
290800020266	FFKR 8*	8	8	21	4	23	32	5	31	36	41	18	M4x18	62
291000020266	FFKR 10	10	10											58

* Ø 8 is achieved by means of a clamping sleeve

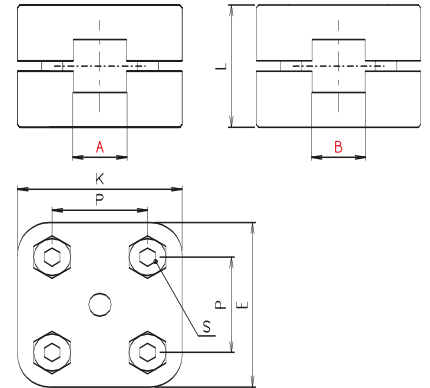
Solid Clamps – Flange clamps

Order instruction:

- Standard equipment premounted zinc plated screws
- Clamping levers have to be ordered separately
Delivery unassembled
See table last column and page 230

On request:

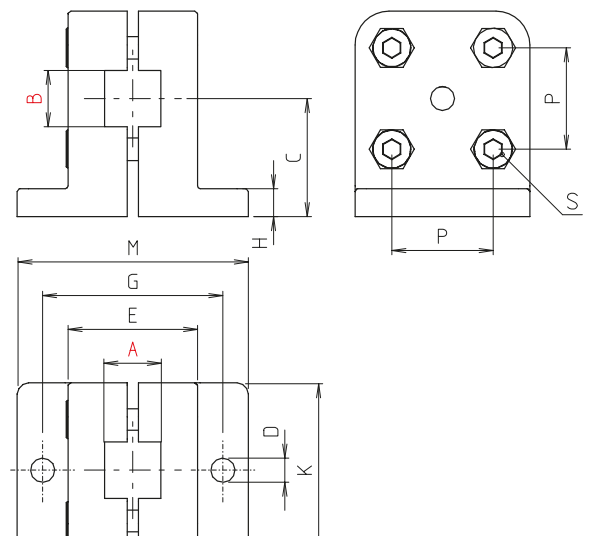
- Stainless steel screws
- Ball-polished
- Colour



VVW - Block form

Code No.	Type	A	B	E	K	L	P	S	m [g]
291000050266	VVW 10	10	10	31	31	23	18	M4x18	42

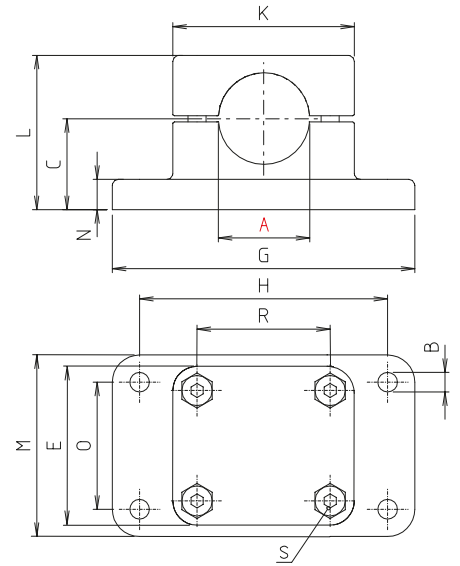
[mm]



FFKV - Block form

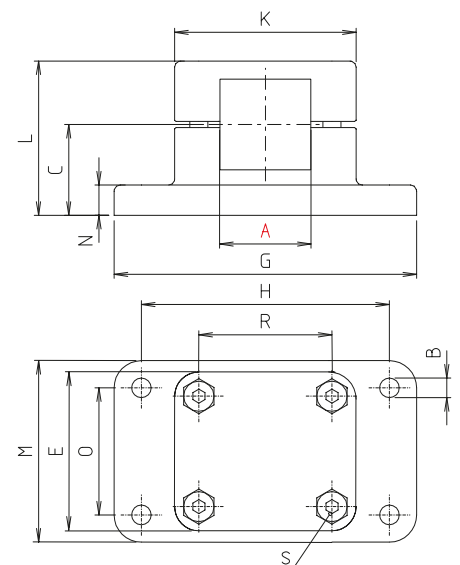
Code No.	Type	A	B	C	D	E	G	H	K	L	M	P	S	m [g]
291000030266	FFKV 10	10	10	21	4	23	32	5	31	36	41	18	M4x18	60

[mm]



FKR - Block form

Code No.	Type	A	B	C	E	G	H	K	L	M	N	O	R	m [g]	Clamping lever S Code No.
22300003026	FKR 30	30,2	7	30	60	100	82	60	54	60	10	42	44	349	9021501
22350003026	FKR 35	35,4												552	
22400003026	FKR 40	40,2	7	40	70	110	92	70	73	71	12	52	53	521	9023001
22420003026	FKR 42	42,3												1226	
22450003026	FKR 45	45,3	9	50	86	125	98	86	90	125	12	98	65	1222	
22480003026	FKR 48	48,3												1191	
22500003026	FKR 50	50,3												1190	
22600003026	FKR 60	60,4	9	60	100	144	122	100	105	100	16	78	78	1489	9023101
22800003026	FKR 80	80,5	11	80	130	200	170	130	141	130	20	100	100	4050	9024601



FKV - Block form

Code No.	Type	A	B	C	E	G	H	K	L	M	N	O	R	m [g]	Clamping lever S Code No.
22300005026	FKV 30	30,3	7	30	60	100	82	60	54	60	10	42	44	341	9021501
22400005026	FKV 40	40,4	7	42	70	110	92	70	73	70	12	52	53	511	9021701
22500005026	FKV 50	50,5	9	50	86	125	98	86	90	125	12	98	65	1124	9023001
22600005026	FKV 60	60,6	9	60	100	144	122	100	105	100	16	78	78	1428	9023101
22800005026	FKV 80	80,7	11	80	130	200	170	130	141	130	20	100	100	3878	9024601

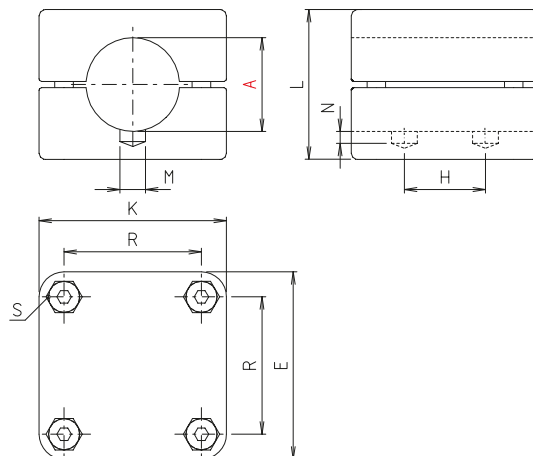
Solid Clamps – Flange clamps

Order instruction:

- Standard equipment premounted zinc plated screws
- Clamping levers have to be ordered separately
Delivery unassembled
See table last column and page 230

On request:

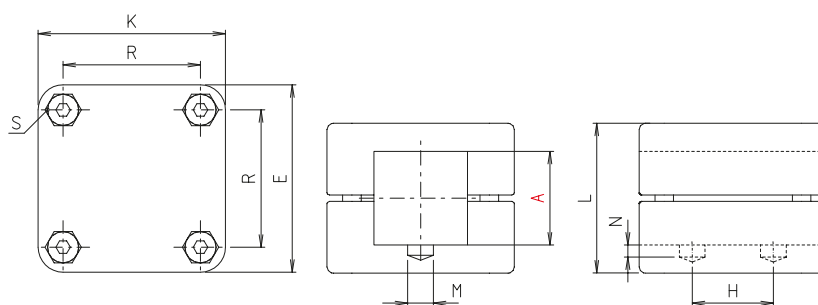
- Stainless steel screws
- Ball-polished
- Colour



R - Block form

[mm]

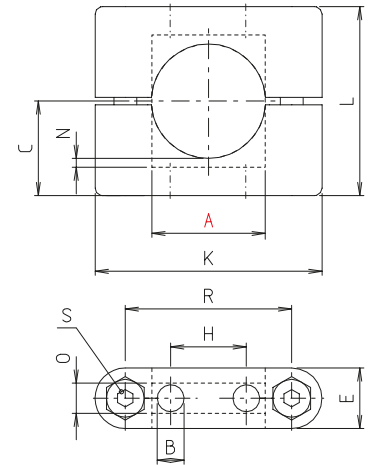
Code No.	Type	A	E	H	K	L	M	N	R	m [g]	Clamping lever S Code No.	
22300007026	R 30	30,1	60	26	60	48	11	5,5	44	256	9021401	
22320007026	R 32	32,2	70	26	70	62	14	6	53	420	9021601	
22350007026	R 35	35,2								410		
22400007026	R 40	40,2	395	914	9022901							
22420007026	R 42	42,3	870									
22450007026	R 45	45,3	878									
22480007026	R 48	48,3	873	100		70	130	122	8,5	5,5	100	2560
22500007026	R 50	50,3	1136									
22600007026	R 60	60,4	100	50	100	90	14	9	78	1136	9023001	
22800007026	R 80	80,5	130	70	130	122	8,5	5,5	100	2560	9024601	



V - Block form

[mm]

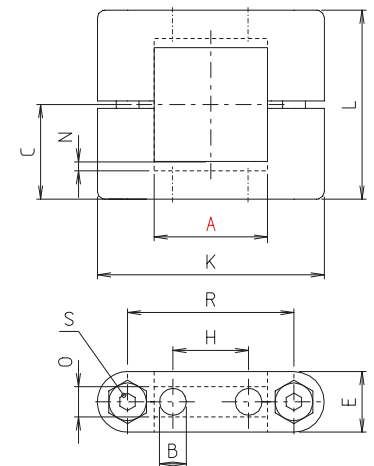
Code No.	Type	A	E	H	K	L	M	N	R	m [g]	Clamping lever S Code No.	
22300008026	V 30	30,3	60	26	60	48	11	5,5	44	249	9021401	
22350008026	V 35	35,4	70	26	70	62	14	6	53	390	9021601	
22400008026	V 40	40,4								404		
22500008026	V 50	50,5	86	50	86	79	14	8,5	65	811		9022901
22600008026	V 60	60,6	100	50	100	90	14	9	78	1064		9023001
22800008026	V 80	80,7	130	70	130	122	8,5	5,5	100	2380	9024601	



RH - Block form

[mm]

Code No.	Type	A	B	C	E	H	K	L	N	O	R	m [g]	Clamping lever S Code No.
22200002026	RH 20	20,1	6	25	16	20	60	50	5	8,1	44	92	9021401
22250002026	RH 25	25,1										84	
22300002026	RH 30	30,1										72	
22350002026	RH 35	35,2	7	34	20	26	75	68	7	10,1	55	198	9022801
22400002026	RH 40	40,2										192	
22420002026	RH 42	42,3		40	20	26	86	79	7,5	10,1	65	256	9022901
22450002026	RH 45	45,3										242	
22480002026	RH 48	48,3										239	
22500002026	RH 50	50,3		45	22	26	100	90	6	10,1	78	236	9022301
22600002026	RH 60	60,4										318	
22800002026	RH 80	80,5	9	61	30	50	130	122	11	13,1	100	775	9024601



VH - Block form

[mm]

Code No.	Type	A	B	C	E	H	K	L	N	O	R	m [g]	Clamping lever S Code No.	
22250004026	VH 25	25,3	6	25	16	20	60	50	5	8,1	44	85	9021401	
22300004026	VH 30	30,3										72		
22350004026	VH 35	35,4	7	34	20	26	75	68	7	10,1	55	184	9022801	
22400004026	VH 40	40,4										172		
22500004026	VH 50	50,5		40	20	26	86	79	7,5	10,1	65	217	9022901	
22600004026	VH 60	60,6										286		
22800004026	VH 80	80,9										45		22
22800004026	VH 80	80,9		9	61	30	50	130	122	11	13,1	100	698	9024601

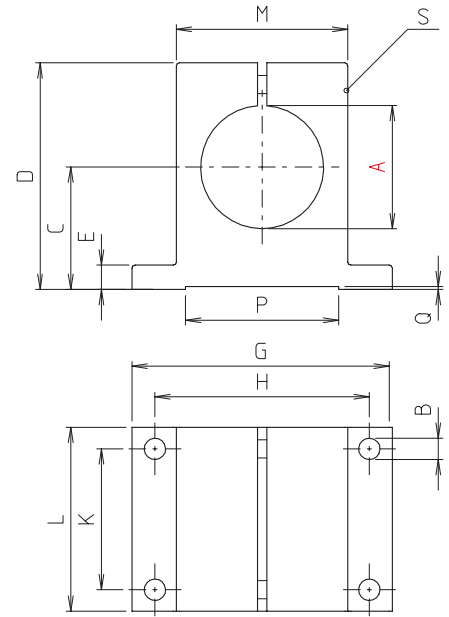
Solid Clamps – Flange clamps

Order instruction:

- Quad® with stainless steel screws
- Clamping levers have to be ordered separately
Delivery unassembled
See table last column and page

On request quad®:

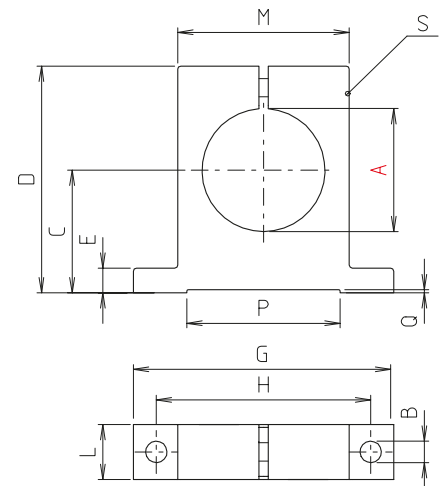
- Black anodized



FK - quad®

[mm]

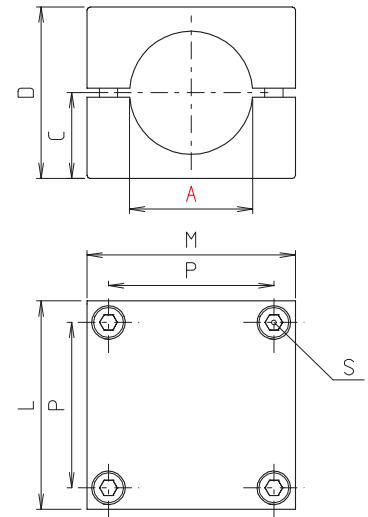
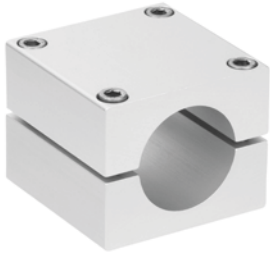
Code No.	Type	A	B	C	D	E	G	H	K	L	M	P	Q	m [g]	Clamping lever S Code No.
52300000030	FK 30	30,1	7	30	58	6	70	56	36	50	42	35	1	246	9300101
52400000030	FK 40	40,1	7	40	74	8	85	70	46	60	56	50	1	490	9301401
52500000030	FK 50	50,2	9	50	92	10	110	90	50	77	70	60	1	911	9300401
52600000030	FK 60	60,2	9	60	112,5	12	137	110	75	100	85	71	2	2000	9301101



FKH - quad®

[mm]

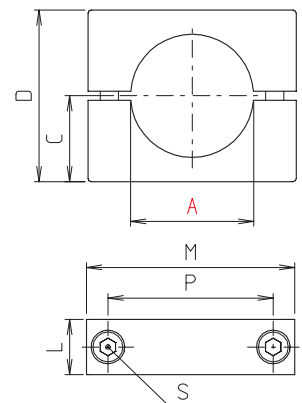
Code No.	Type	A	B	C	D	E	G	H	L	M	P	Q	m [g]	Clamping lever S Code No.
52300011030	FKH 30	30,1	7	30	58	6	70	56	16	42	35	1	80	9300101
52400011030	FKH 40	40,1	7	40	74	8	85	70	18	56	50	1	147	9301401
52500011030	FKH 50	50,2	9	50	92	10	110	90	20	70	60	1	262	9300401
52600011030	FKH 60	60,2	9	60	112,5	12	137	110	20	85	71	2	460	9301101



R - quad®

[mm]

Code No.	Type	A	C	D	L	M	P	m [g]	Clamping lever S Code No.
52300007030	R 30	30,1	21	42	56	56	42	252	9300101
52400007030	R 40	40,2	28	56	68	68	54	459	9301401
52500007030	R 50	50,3	35	70	85	85	67	927	9300401
52600007030	R 60	60,3	48,5	97	105	105	85	2083	9022801
52800007030	R 80	80,6	56	112	126	126	100	3000	9300801



RH - quad®

[mm]

Code No.	Type	A	C	D	L	M	P	m [g]	Clamping lever S Code No.
52300002030	RH 30	30,1	21	42	16	56	42	74	9300101
52400002030	RH 40	40,2	28	56	18	68	54	122	9301401
52500002030	RH 50	50,3	35	70	20	85	67	229	9300401
52600002030	RH 60	60,3	48,5	97	22	105	85	455	9022801
52800002030	RH 80	80,6	56	112	24	126	100	608	9300801

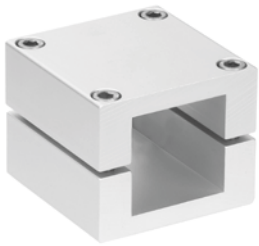
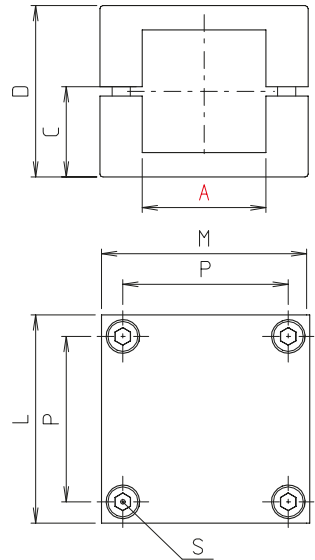
Solid Clamps – Flange clamps

Order instruction:

- Quad® with stainless steel screws
- Clamping levers have to be ordered separately
Delivery unassembled
See table last column and page

On request quad®:

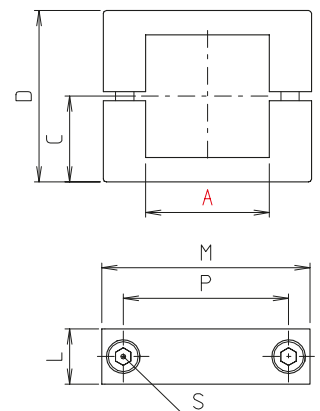
- Black anodized



V - quad®

[mm]

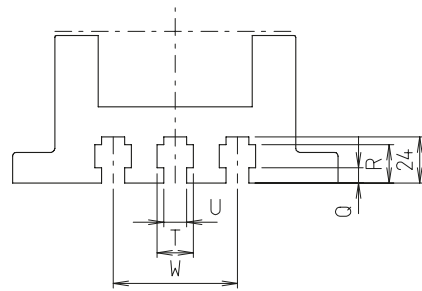
Code No.	Type	A	C	D	L	M	P	m [g]	Clamping lever S Code No.
52300008030	V 30	30,2	21	42	56	56	42	220	9300101
52400008030	V 40	40,3	28	56	68	68	54	401	9301401
52500008030	V 50	50,4	35	70	85	85	67	785	9300401
52600008030	V 60	60,3	48,5	97	105	105	85	1851	9022801
52800008030	V 80	80,4	56	112	126	126	100	2540	9300801



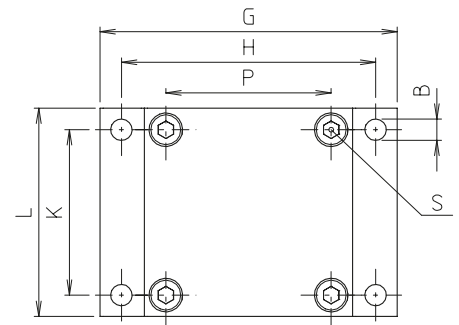
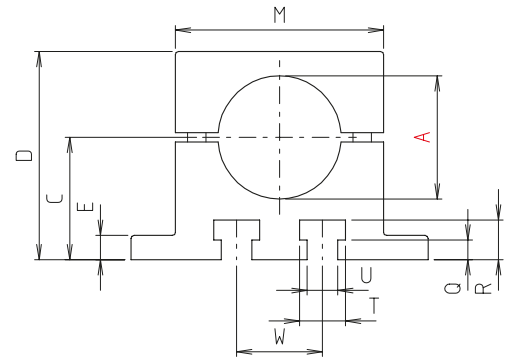
VH - quad®

[mm]

Code No.	Type	A	C	D	L	M	P	m [g]	Clamping lever S Code No.
52300004030	VH 30	30,2	21	42	16	56	42	65	9300101
52400004030	VH 40	40,3	28	56	18	68	54	109	9301401
52500004030	VH 50	50,4	35	70	20	85	67	197	9300401
52600004030	VH 60	60,4	48,5	97	22	105	85	406	9022801
52800004030	VH 80	80,4	56	112	24	126	100	522	9300801



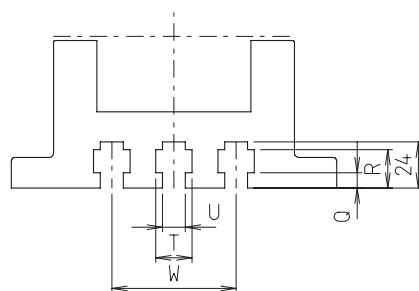
only FKR 60, 80



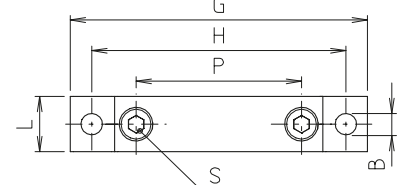
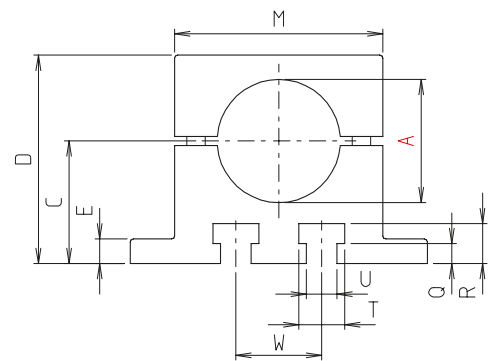
FKR - quad®

[mm]

Code No.	Type	A	B	C	D	E	G	H	K	L	M	Q	R	T	U	W	m [g]	Clamping lever S Code No.
52300003030	FKR 30	30,1	7	30	51	6	84	70	40	56	56	4,5	9	10	6	20	329	9300101
52400003030	FKR 40	40,2	7	40	68	8	97	83	54	68	68	6,5	13	15	10	28	586	9301401
52500003030	FKR 50	50,3	9	50	85	10	125	105	65	85	85	7	14	20	10	30	1204	9300401
52600003030	FKR 60	60,3	9	62,5	111	12	145	120	80	105	105	7	14	20	10	65	2456	9022801
52800003030	FKR 80	80,4	11	80	136	16	170	148	80	126	126	8	20	19	12	65	3876	9300801



only FKRH 60, 80



FKRH - quad®

[mm]

Code No.	Type	A	B	C	D	E	G	H	L	M	Q	R	T	U	W	m [g]	Clamping lever S Code No.
52300009030	FKRH 30	30,1	7	30	51	6	84	70	16	56	4,5	9	10	6	20	96	9300101
52400009030	FKRH 40	40,2	7	40	68	8	97	83	18	68	6,5	13	15	10	28	158	9301401
52500009030	FKRH 50	50,3	9	50	85	10	125	105	20	85	7	14	20	10	30	293	9300401
52600009030	FKRH 60	60,3	9	62,5	111	12	145	120	22	105	7	14	20	10	65	532	9022801
52800009030	FKRH 80	80,4	11	80	136	16	170	148	24	126	8	20	19	12	65	783	9300801

Solid Clamps – Flange clamps

Order instruction:

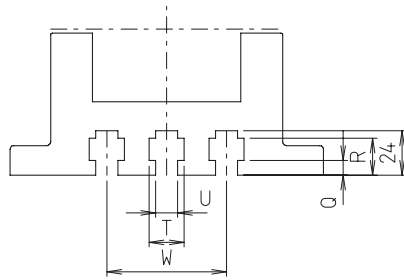
- Quad® with stainless steel screws
- Clamping levers have to be ordered separately
Delivery unassembled
See table last column and page

On request quad®:

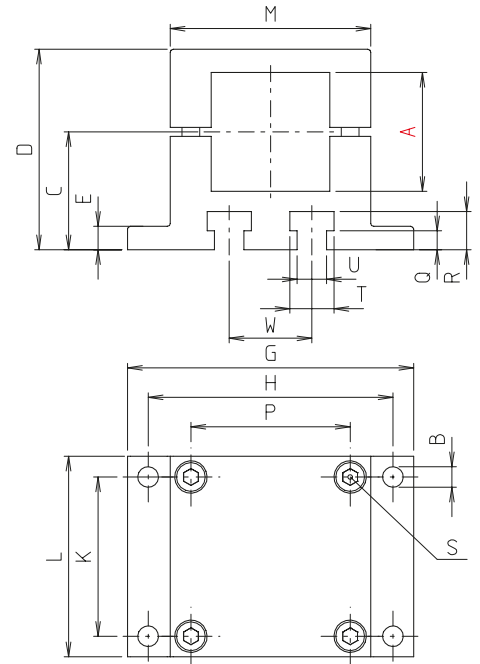
- Black anodized



FKV - quad®



only FKV 60, 80

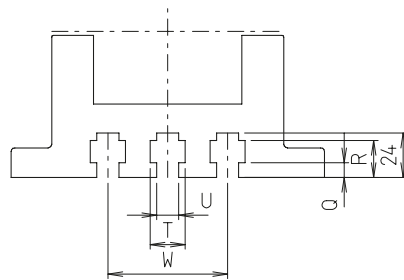


[mm]

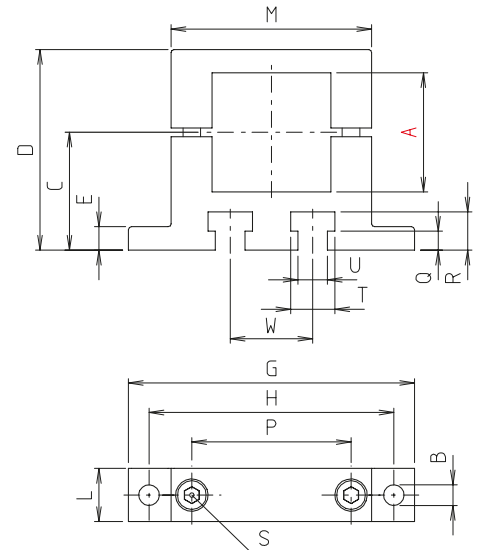
Code No.	Type	A	B	C	D	E	G	H	K	L	M	P	Q	R	T	U	W	m [g]	Clamping lever S Code No.
52300005030	FKV 30	30,2	7	30	51	6	84	70	40	56	56	40	4,5	9	10	6	20	303	9300101
52400005030	FKV 40	40,3	7	40	68	8	97	83	54	68	68	54	6,5	13	15	10	28	525	9301401
52500005030	FKV 50	50,4	9	50	85	10	125	105	65	85	85	65	7	14	20	10	30	1065	9300401
52600005030	FKV 60	60,3	9	62,5	111	12	145	120	80	105	105	80	7	14	20	10	65	2224	9022801
52800005030	FKV 80	80,4	11	80	136	16	170	148	100	126	126	100	8	20	19	12	65	3440	9300801



FKVH - quad®

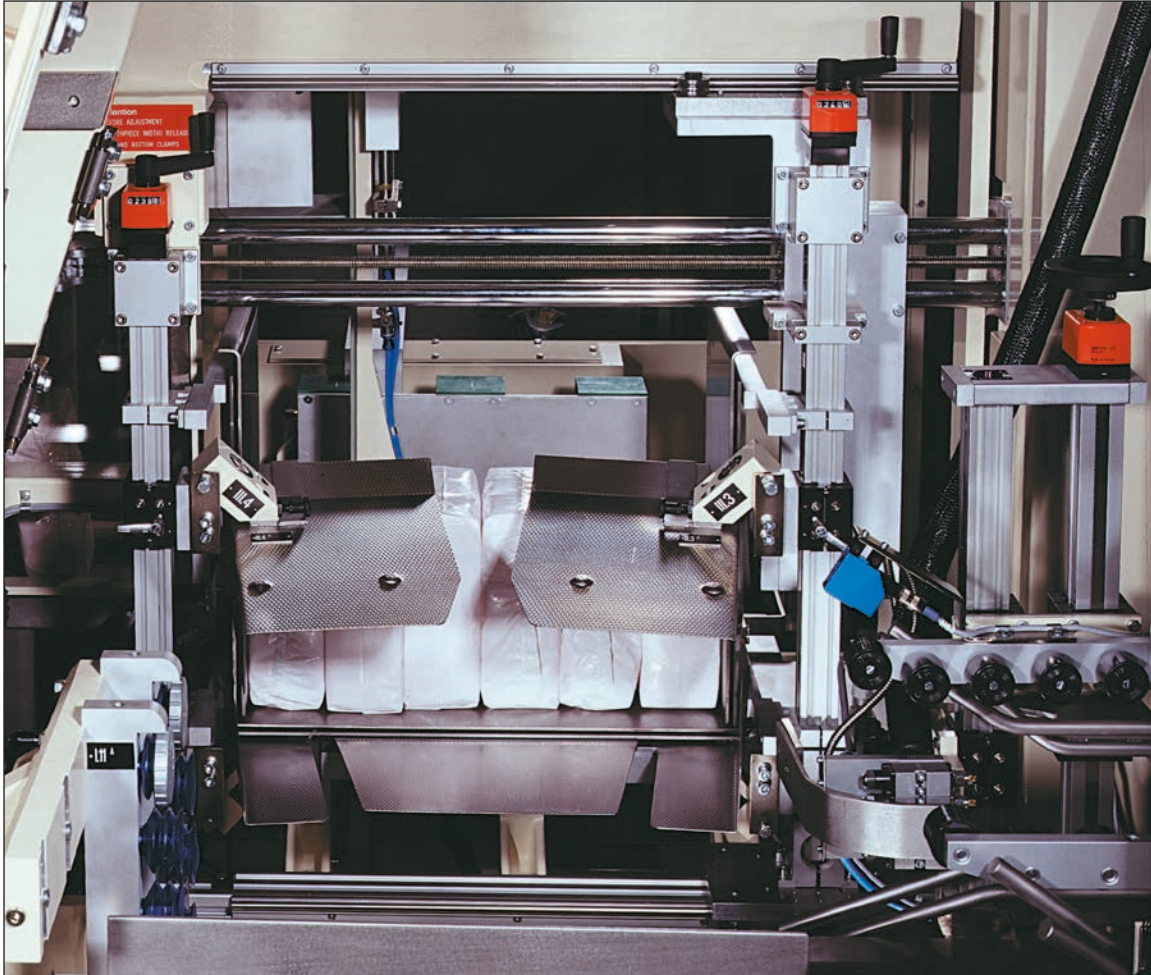


only FKVH 60, 80



[mm]

Code No.	Type	A	B	C	D	E	G	H	L	M	P	Q	R	T	U	W	m [g]	Clamping lever S Code No.
52300010030	FKVH 30	30,2	7	30	51	6	84	70	16	56	40	4,5	9	10	6	20	86	9300101
52400010030	FKVH 40	40,3	7	40	68	8	97	83	18	68	54	6,5	13	15	10	28	141	9301401
52500010030	FKVH 50	50,4	9	50	85	10	125	105	20	85	65	7	14	20	10	30	259	9300401
52600010030	FKVH 60	60,4	9	62,5	111	12	145	120	22	105	80	7	14	20	10	65	484	9022801
52800010030	FKVH 80	80,4	11	80	136	16	170	148	24	126	100	8	20	19	12	65	690	9300801



Simple fixation of linear units (for format adjustment) on a packaging machine.

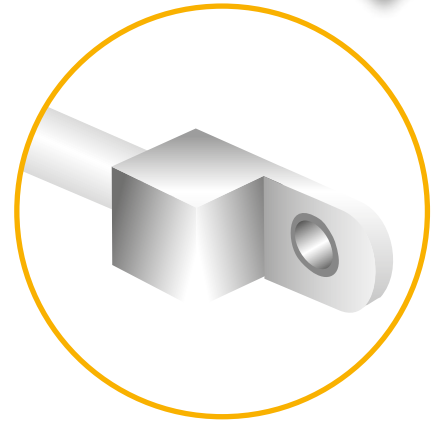
Solid Clamps – Strap clamps



Version:

- Strap clamps

delivery
from stock



Single-piece elements

- ✓ For the quick and inexpensive installation



Industrial design

- Cast aluminium
- Great variety
- Single-piece elements



Multi-piece elements

- ✓ Also suitable for subsequent assembly and expansion



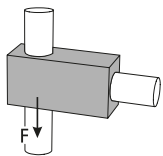
Block form

- Cast aluminium
- Higher torque loads
- Plain surface
- Multi-piece elements

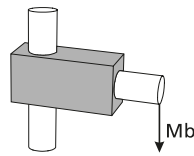
Loads strap clamps

Attention!

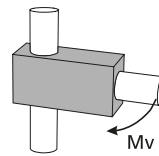
The data in the chart do not ensure a guarantee of quality or a warrant characteristic of our products. These are nonbinding standard values which might be not reached in individual cases due to the temperature or surface finish of the clamping profile.



Adhesion force F [kN]



Bending moment Mb [Nm]



Twisting moment Mv [Nm]

Tightening torque of clamping screws:

M6: 10 Nm

M8: 25 Nm

M10: 50 Nm

Size Type	10			18			30			40			50			60		
	F	Mb	Mv	F	Mb	Mv	F	Mb	Mv	F	Mb	Mv	F	Mb	Mv	F	Mb	Mv
Industrial design																		
LW				2,7	38	15	6	133	85	5,8	264	138	12	274	358			
LP				3,6	28	9	4,9	91	94	6	267	181	12,1	332	387			
LQ				2,7	28	15	4,9	83	94	5,8	231	138	12,1	346	133			
LF					40	50		110	101		562	635		349	377			

Size Type	10			18			30			40			50			60		
	F	Mb	Mv	F	Mb	Mv	F	Mb	Mv	F	Mb	Mv	F	Mb	Mv	F	Mb	Mv
Block form																		
LWR										7,1	397	107						
LWV										3,2	333	287						
LPR										7,1	598	107						
LPV										3,2	405	438						
LQR										7,1	593	107						
LQV										3,2	738	653						
LF																		

Solid Clamps – Strap clamps

Hinge tube connector

Industrial design



Block form





Solid Clamps – Strap clamps

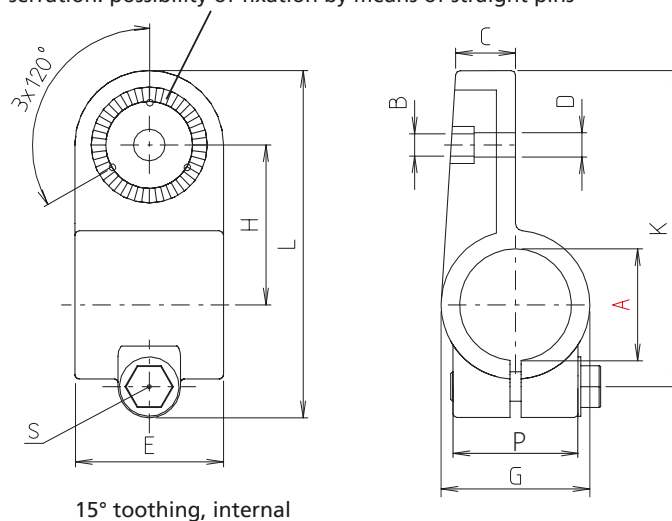
Order instruction:

- Standard equipment premounted zinc plated screws
- Clamping levers have to be ordered separately
Delivery unassembled
See table last column and page 230

On request:

- Stainless steel screws
- Ball-polished
- Colour

serration: possibility of fixation by means of straight pins



15° tothing, internal



Type LW 12–18



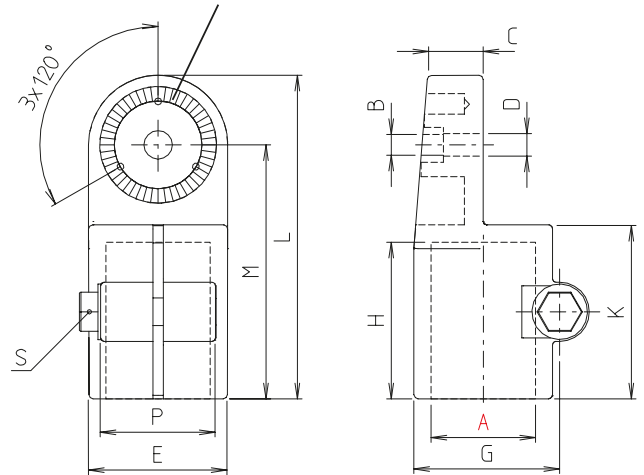
Type LW 20–60

LW - Industrial design

[mm]

Code No.	Type	A	B	C	D	E	G	H	K	L	P	m [g]	Clamping lever S Code No.
17120000020	LW 12	12,1	M6	10,5	7,5	30	26	27	51,5	64,5	21	62	90210
17140000020	LW 14	14,1										59	
17160000020	LW 16	16,1										56	
17180000020	LW 18	18,1										52	
17200000020	LW 20	20	M8	16	9	40	40	43	85	93	33	169	9022401
17250000020	LW 25	25,1										150	
17300000020	LW 30	30,1										131	
17320000020	LW 32	32,2	M10	22	11	56	56	60	116	128	48	428	9024301
17350000020	LW 35	35,2										400	
17400000020	LW 40	40,2										366	
17420000020	LW 42	42,2	M10	25	11	66	66	70	136	148	58	586	9024401
17450000020	LW 45	45,2										547	
17480000020	LW 48	48,2										519	
17500000020	LW 50	50,2										488	
17600000020	LW 60	60,2	M12	30	13,5	80	80	85	165	178	68	820	9024401

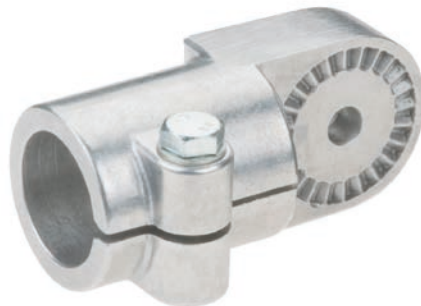
serration: possibility of fixation by means of straight pins



15° toothing internal



Type LP 12–18



Type LP 20–60

LP - Industrial design

[mm]

Code No.	Type	A	B	C	D	E	G	H	K	L	M	P	m [g]	Clamping lever S Code No.
17120001020	LP 12	12,1	M6	10,5	7,5	26	29,4	25	30	57	44	21	62	90210
17140001020	LP 14	14,1											59	
17160001020	LP 16	16,1											56	
17180001020	LP 18	18,1											52	
17200001020	LP 20	20	M8	16	9	40	40	45	50	93	73	33	198	9022401
17250001020	LP 25	25,1											179	
17300001020	LP 30	30,1											150	
17320001020	LP 32	32,2	M10	22	11	56	56	60	68	128	100	48	498	9024301
17350001020	LP 35	35,2											460	
17400001020	LP 40	40,2											410	
17420001020	LP 42	42,2	M10	25	11	66	66	70	78	148	115	58	690	9024401
17450001020	LP 45	45,2											653	
17480001020	LP 48	48,2											609	
17500001020	LP 50	50,2											586	
17600001020	LP 60	60,2	M12	30	13,5	80	80	78	90	174	135	68	940	9024401

Solid Clamps – Strap clamps

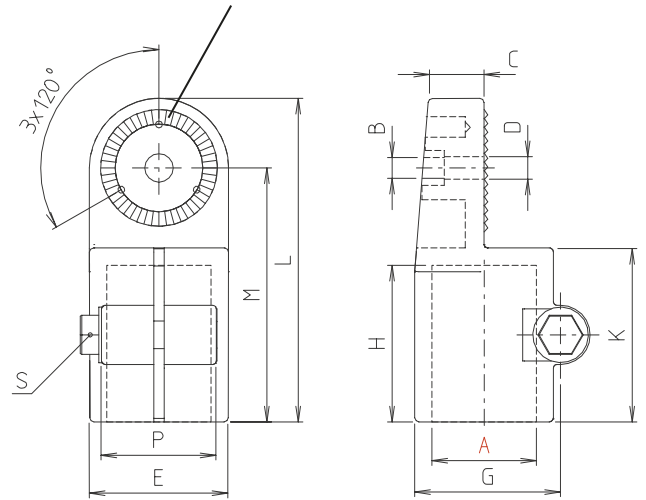
Order instruction:

- Standard equipment premounted zinc plated screws
- Clamping levers have to be ordered separately
Delivery unassembled
See table last column and page 230

On request:

- Stainless steel screws
- Ball-polished
- Colour

serration: possibility of fixation by means of straight pins



15° toothing external



Type LPZ 12–18



Type LPZ 20–60

LPZ - Industrial design

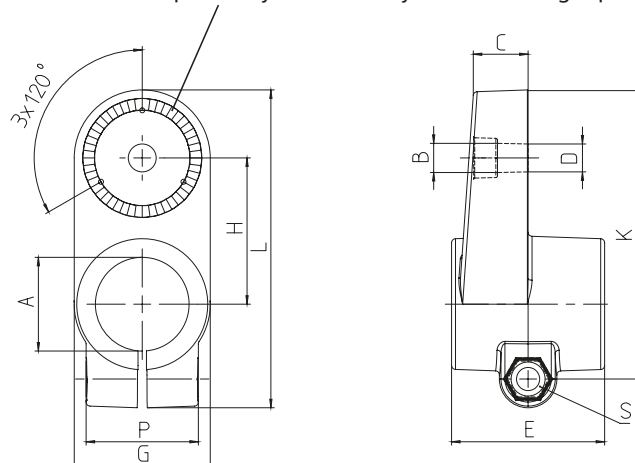
[mm]

Code No.	Type	A	B	C	D	E	G	H	K	L	M	P	m[g]	Clamping lever S Code No.
17120010020	LPZ 12	12,1	M6	10,5	7,5	26	29,4	25	30	57	44	21	62	90210
17140010020	LPZ 14	14,1											59	
17160010020	LPZ 16	16,1											56	
17180010020	LPZ 18	18,1											52	
17200010020	LPZ 20	20	M8	16	9	40	40	45	50	93	73	33	198	9022401
17250010020	LPZ 25	25,1											179	
17300010020	LPZ 30	30,1											150	
17320010020	LPZ 32	32,2	M10	22	11	56	56	60	68	128	100	48	498	9024301
17350010020	LPZ 35	35,2											460	
17400010020	LPZ 40	40,2											410	
17420010020	LPZ 42	42,2											690	
17450010020	LPZ 45	45,2	M10	25	11	66	66	70	78	148	115	58	653	9024401
17480010020	LPZ 48	48,2											609	
17500010020	LPZ 50	50,2											586	
17600010020	LPZ 60	60,2	M12	30	13,5	80	80	78	90	174	135	68	940	9024401



Type LQ 20-50

serration: possibility of fixation by means of straight pins



15° tothing internal

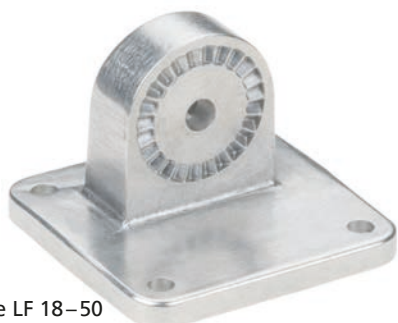
LQ - Industrial design

[mm]

Code No.	Type	A	B	C	D	E	G	H	K	L	P	m [g]	Clamping lever S Code No.	
17200003020	LQ 20	20	M8	16	9	45	40	43	85	93	33	102	9022401	
17250003020	LQ 25	25										120		
17300003020	LQ 30	30,1										145		
17320003020	LQ 32	32,2	M10	22	11	60	56	60	116	128	48	470		9024301
17350003020	LQ 35	35,2										421		
17400003020	LQ 40	40,2										375		

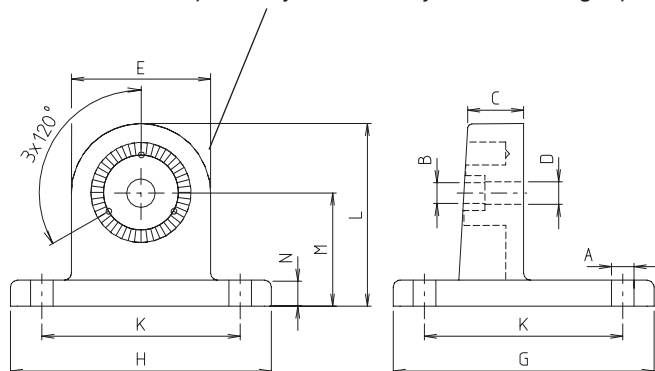


Type LF 18



Type LF 18-50

serration: possibility of fixation by means of straight pins



15°tothing internal

LF - Industrial design

[mm]

Code No.	Type	A	B	C	D	E	G	H	K	L	M	N	m [g]
1718000202	LF 18	5,3	M6	13	7	25	50	35	38-40	32,5	20	5	38
1730000202	LF 30	6,5	M8	16	9	40	75	75	57	52,5	33	7,5	151
1740000202	LF 40	8,5	M10	22	11	56	100	100	76	72	44	10	375
1750000202	LF 50	8,5		25		66	125	125	98	85	52	12	582

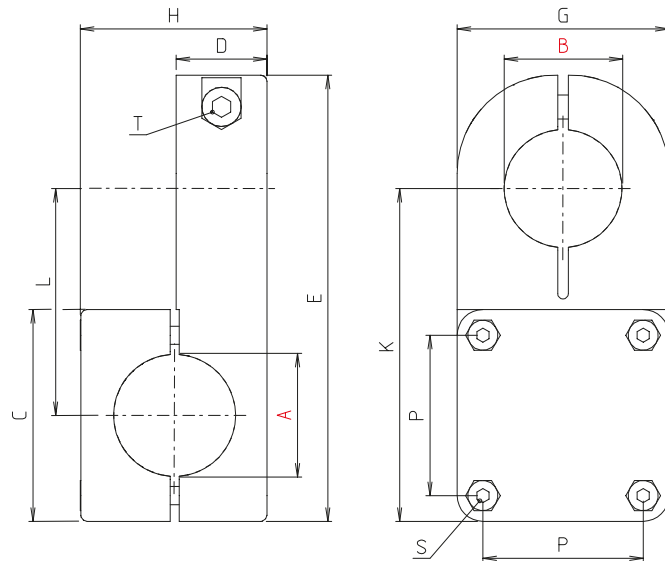
Solid Clamps – Strap clamps

Order instruction:

- Standard equipment premounted zinc plated screws
- Clamping levers have to be ordered separately
Delivery unassembled
See table last column and page 230

On request:

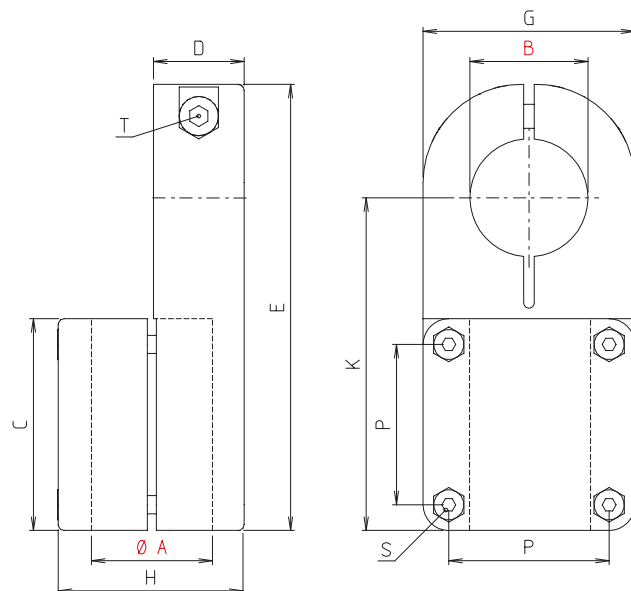
- Stainless steel screws
- Ball-polished
- Colour



LWR - Block form

[mm]

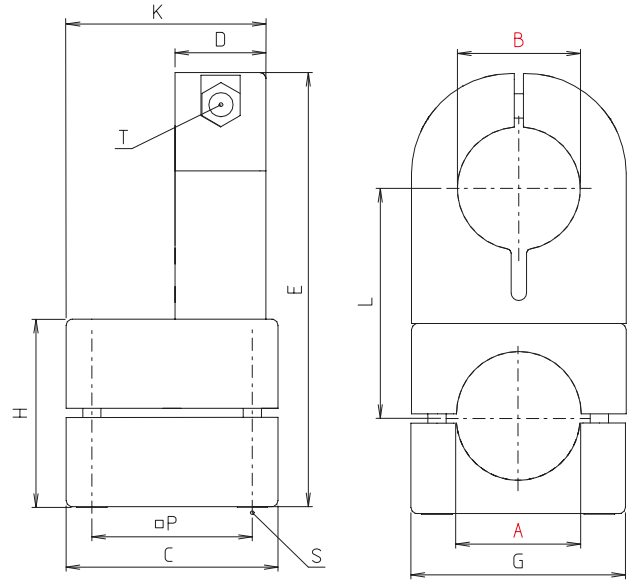
Code No.	Type	A	B	C	D	E	G	H	K	L	P	m [g]	S	T
													Clamping lever Code No.	
274000040266	LWR 40	40,2	40,2	70	30	146	70	62	110	75	55	654	9021601	9022601



LPR - Block form

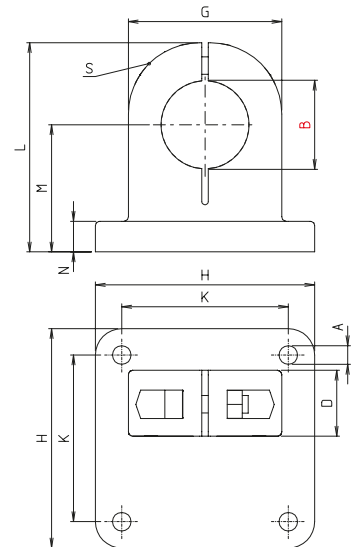
[mm]

Code No.	Type	A	B	C	D	E	G	H	K	P	m [g]	S	T
												Clamping lever Code No.	
274000050266	LPR 40	40,2	40,2	70	30	146	70	62	110	53	551	9021601	9022601


LQR - Block form

[mm]

Code No.	Type	A	B	C	D	E	G	H	K	L	P	m [g]	S	T
													Clamping lever Code No.	
274000060266	LQR 40	40,2	40,2	70	30	142	70	62	66	75	53	694	9021601	9021601


LFR - Block form

[mm]

Code No.	Type	A	B	D	G	H	K	L	M	N	m [g]	Clamping lever S Code No.
27400002026	LFR 40	8,5	40,2	30	70	100	76	90	58	14	55	9022601

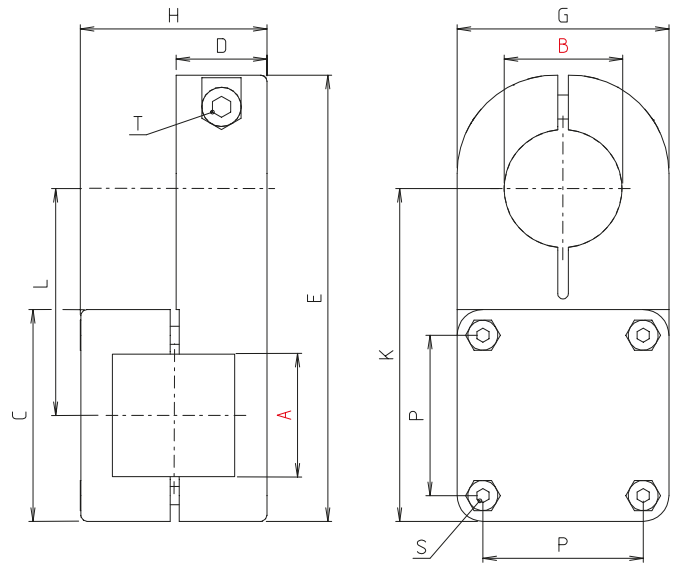
Solid Clamps – Strap clamps

Order instruction:

- Standard equipment premounted zinc plated screws
- Clamping levers have to be ordered separately
Delivery unassembled
See table last column and page 230

On request:

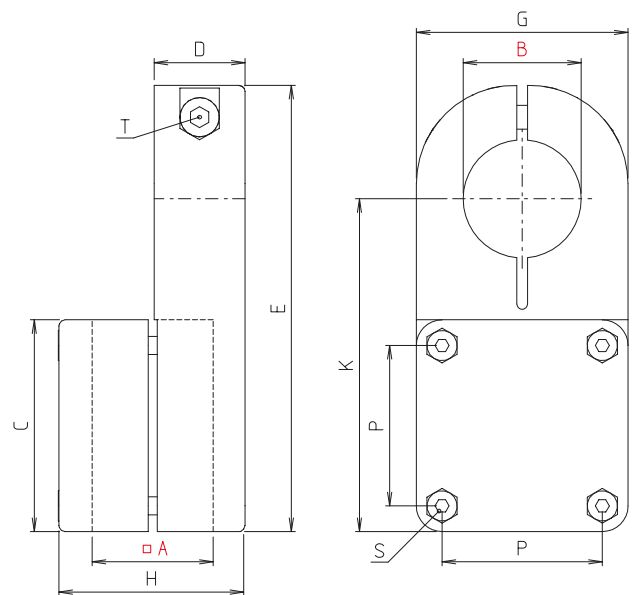
- Stainless steel screws
- Ball-polished
- Colour



LWV - Block form

[mm]

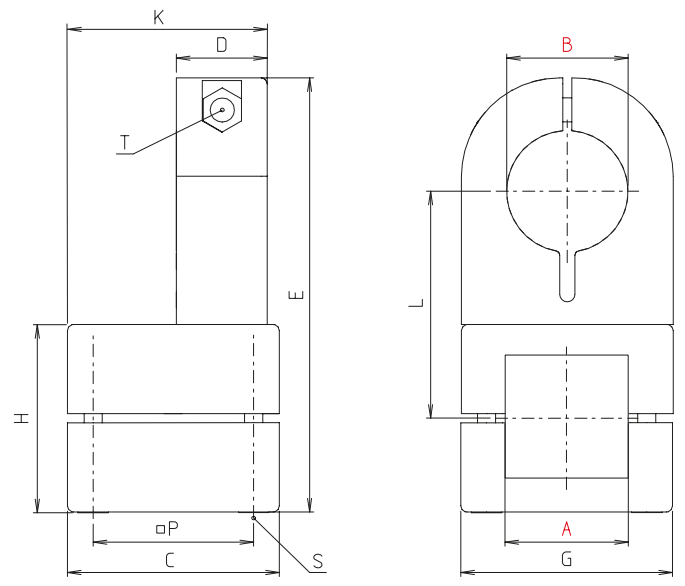
Code No.	Type	A	B	C	D	E	G	H	K	L	P	T	m [g]	Clamping lever S Code No.
27400070266	LWV 40	40,4	40,2	70	30	146	70	62	110	75	53	M8x30	636	9021601



LPV - Block form

[mm]

Code No.	Type	A	B	C	D	E	G	H	K	P	T	m [g]	Clamping lever S Code No.
27400080266	LPV 40	40,4	40,2	70	30	146	70	62	110	53	M8x30	632	9021601

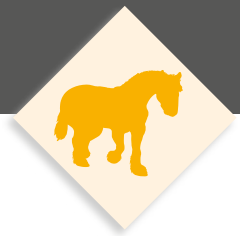


LQV - Block form

[mm]

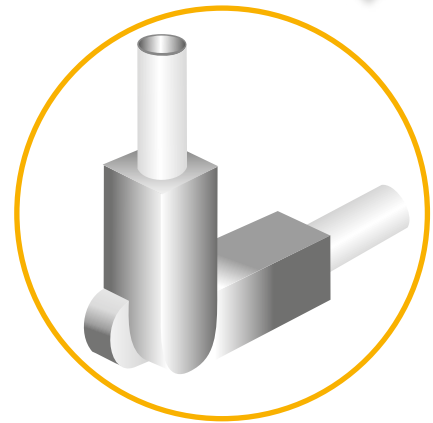
Code No.	Type	A	B	C	D	E	G	H	K	L	P	T	m [g]	Clamping lever S Code No.
274000090266	LQV 40	40,4	40,2	70	30	142	70	62	66	75	53	M8x30	668	9021601

Solid Clamps – Hinge clamps



Version :

- Hinge clamps



Single-piece elements

- ✓ For the quick and inexpensive installation



Industrial design

- Cast aluminium
- Great variety
- Single-piece elements



Multi-piece elements

- ✓ Also suitable for subsequent assembly and expansion



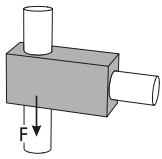
Block form

- Cast aluminium
- Higher torque loads
- Plain surface
- Multi-piece elements

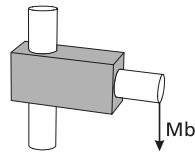
Loads hinge clamps

Attention!

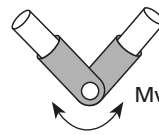
The data in the chart do not ensure a guarantee of quality or a warrant characteristic of our products. These are nonbinding standard values which might be not reached in individual cases due to the temperature or surface finish of the clamping profile.



Adhesion force F [kN]



Bending moment Mb [Nm]



Twisting moment Mv [Nm]

Tightening torque of clamping screws:

M6: 10 Nm

M8: 25 Nm

M10: 50 Nm

Material data sheet available upon request.

Size	10			18			30			40			50			60			
	Type	F	Mb	Mv	F	Mb	Mv	F	Mb	Mv	F	Mb	Mv	F	Mb	Mv	F	Mb	Mv
Industrial design																			
GW				2,2	25	7	5,8	85	15	6	233	38	11,9	244	143				
GP				1,1	25	7	4,8	85	15	6	233	38	12	244	143				
GQ				2,2	25	7	4,8	85	15	6	233	38	12	244	143				
GF				2,2	25	7	4,8	85	15	6	233	100	12	244	143				
GWZ				2,2	27	16	5,8	85	148	6	223	376	11,9	317	695				
GPZ				1,1	27	16	4,8	85	148	6	300	300	12	260	400				
GQZ				2,2	27	16	4,8	85	148	6	223	376	12	317	695				
GFZ				2,2	27	16	5,8	69	82	7,4	240	470	7,8	363	695				

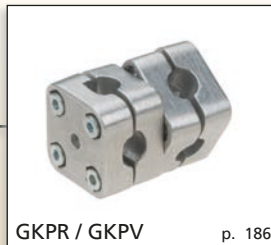
Size	10			18			30			40			50			60			
	Type	F	Mb	Mv	F	Mb	Mv	F	Mb	Mv	F	Mb	Mv	F	Mb	Mv	F	Mb	Mv
Block form																			
GKR										5,7	253	43	9,3	563	60				
GKV										2,9	253	43	5,9	563	60				
GFKR										5,7	253	43	9,3	563	60				
GFKV										2,9	410	43	5,9	563	60				
GKRZ										5,7	343	619	9,3	444	548				
GKVZ										2,9	343	619	5,9	444	548				
GFKRZ										5,7	343	619	9,3	444	548				
GFKVZ										1,6	343	619	5,9	444	548				
GWR										5,7	306	75							
GPR										5,7	306	75							
GQR										5,7	375	75							
GFR										5,7	308	75							
GWV										2,9	306	75							
GPV										2,9	306	75							
GQV										2,9	306	75							
GFV										2,9	306	75							

Solid Clamps – Hinge clamps

Hinge tube connector

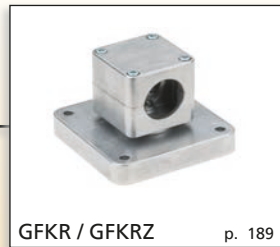
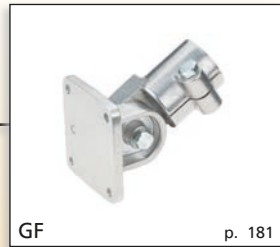


Industrial design



Block form





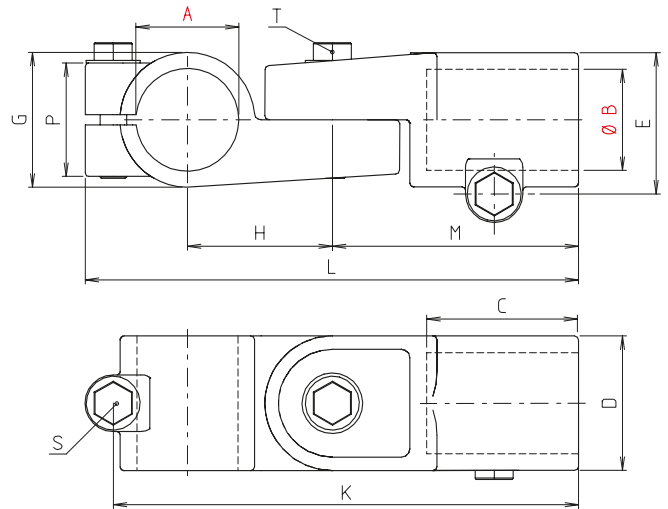
Solid Clamps – Hinge clamps

Order instruction:

- Standard equipment premounted zinc plated screws
- Clamping levers have to be ordered separately
Delivery unassembled
See table last column and page 230

On request:

- Stainless steel screws
- Ball-polished
- Colour



Without tothing- 180° infinitely



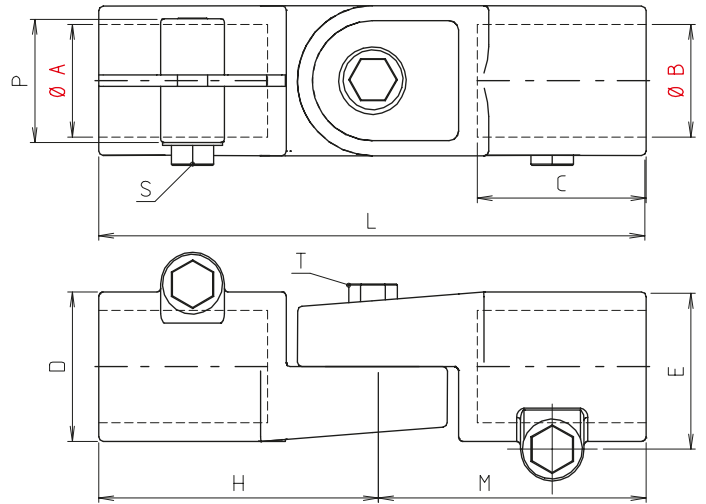
Type GW 12-18



Type GW 20-60

GW - Industrial design

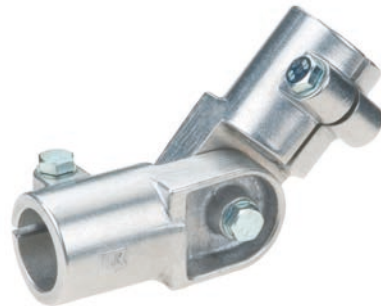
Code No.	Type	A	B	C	D	E	G	H	K	L	M	P	m [g]	[mm]	
														S	T
														Clamping lever Code No.	
181200010200	GW 12	12,1	12,1	25	26	29,4	26	27	87	95,5	44	21	135	90210	90210
181400010200	GW 14	14,1	14,1										129		
181600010200	GW 16	16,1	16,1										123		
181800010200	GW 18	18,1	18,1										115		
182000010200	GW 20	20,1	20,1	45	40	42	40	43	138	147	73	33	387	9022401	9022401
182500010200	GW 25	25,1	25,1										346		
183000010200	GW 30	30,1	30,1	60	56	57	56	60	188	200	100	48	300	9024301	-
183200010200	GW 32	32,2	32,2										961		
183500010200	GW 35	35,2	35,2										900		
184000010200	GW 40	40,2	40,2										810		
184200010200	GW 42	42,2	42,2	70	66	66	66	70	218	230	115	58	1335	9024401	9024401
184500010200	GW 45	45,2	45,2										1253		
184800010200	GW 48	48,2	48,2										1177		
185000010200	GW 50	50,2	50,2										1121		
186000010200	GW 60	60,3	60,3	80	80	80	85	85	260	273	135	68	2050	9024401	-



Without tothing- 180° infinitely



Type GP 12-18



Type GP 20-60

GP - Industrial design

Code No.	Type	A	B	C	D	E	H	L	M	P	[mm] m [g]	Clamping lever S Code No.
181200000200	GP 12	12,1	12,1	25	26	29,4	44	88	44	21	135	90210
181400000200	GP 14	14,1	14,1								129	
181600000200	GP 16	16,1	16,1								123	
181800000200	GP 18	18,1	18,1								115	
182000000200	GP 20	20,1	20,1	45	40	40	73	146	73	33	419	9022401
182500000200	GP 25	25,1	25,1								374	
183000000200	GP 30	30,1	30,1								328	
183200000200	GP 32	32,15	32,15	60	56	56	100	200	100	48	1028	9024301
183500000200	GP 35	35,15	35,15								972	
184000000200	GP 40	40,15	40,15								871	
184200000200	GP 42	42,2	42,2								1440	
184500000200	GP 45	45,2	45,2	70	66	66	115	230	115	58	1355	9024401
184800000200	GP 48	48,2	48,2								1279	
185000000200	GP 50	50,2	50,2								1213	
186000000200	GP 60	60,25	60,25	80	80	80	135	270	135	68	2200	9024401

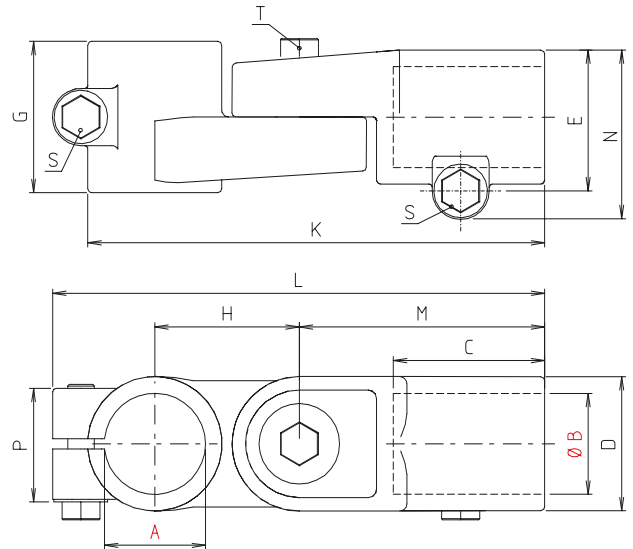
Solid Clamps – Hinge clamps

Order instruction:

- Standard equipment premounted zinc plated screws
- Clamping levers have to be ordered separately
Delivery unassembled
See table last column and page 230

On request:

- Stainless steel screws
- Ball-polished
- Colour

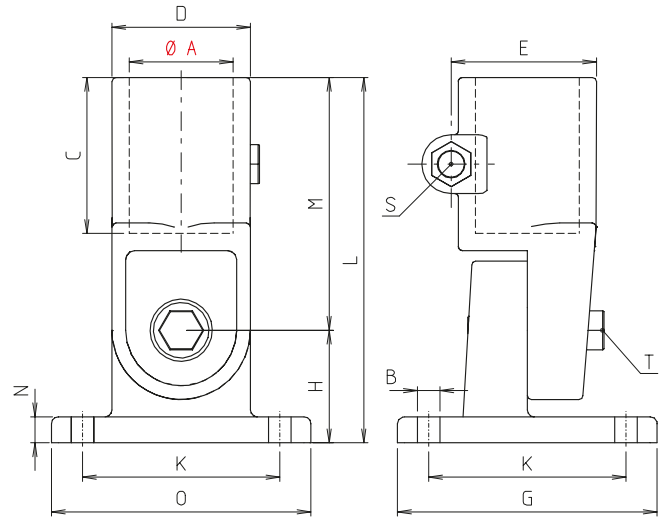


Without tothing 180° infinitely



GQ - Industrial design

Code No.	Type	A	B	C	D	E	G	H	K	L	M	N	P	m [g]	[mm]		
															S	T	
															Clamping lever Code No.		
182000030200	GQ 20	20,1	20,1	45	40	40	45	43	136	146	73	50	33	409	9022401	9022401	
182500030200	GQ 25	25,1	25,1											369		-	
183000030200	GQ 30	30,1	30,1											318		-	
183200030200	GQ 32	32,2	32,2	60	56	56	60	60	188	200	100	68	48	1005	9024301	9024301	
183500030200	GQ 35	35,2	35,2											922			-
184000030200	GQ 40	40,2	40,2											822			-



Without tothing 180° infinitely



Type GF 12-18



Type GF 20-50

GF - Industrial design

Code No.	Type	[mm]												m [g]	Clamping lever S Code No.
		A	B	C	D	E	G	H	K	L	M	N	O		
18120002020	GF 12	12,1	6	25	26	29,4	50	20	38-40	64	44	5	35	106	90210
18140002020	GF 14	14,1												103	
18160002020	GF 16	16,1												100	
18180002020	GF 18	18,1												96	
18200002020	GF 20	20,1	7	45	40	42	75	33	57	106	73	7	75	371	9022401
18250002020	GF 25	25,1												374	
18300002020	GF 30	30,1												325	
18320002020	GF 32	32,2	9	60	56	57	100	44	76	144	100	10	100	963	9024301
18350002020	GF 35	35,2												880	
18400002020	GF 40	40,2												827	
18420002020	GF 42	42,2												1378	
18450002020	GF 45	45,2	9	70	66	66	125	52	98	167	115	12	125	1287	9024401
18480002020	GF 48	48,2												1233	
18500002020	GF 50	50,2												1213	

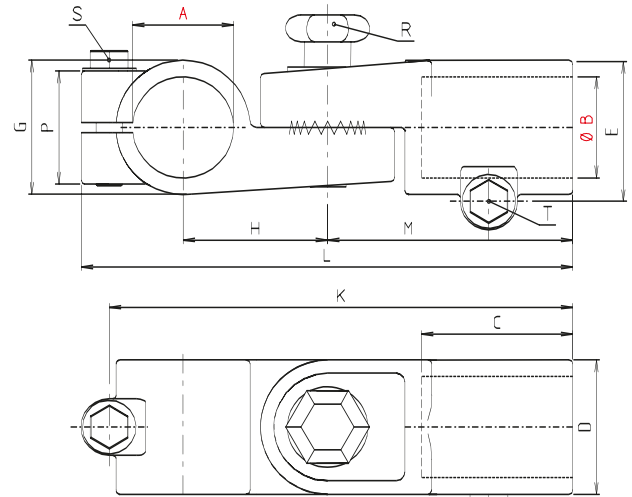
Solid Clamps – Hinge clamps

Order instruction:

- Standard equipment premounted zinc plated screws
- Clamping levers have to be ordered separately
Delivery unassembled
See table last column and page 230

On request:

- Stainless steel screws
- Ball-polished
- Colour



With toothing - rotation of 180°, engaging at 15° intervals



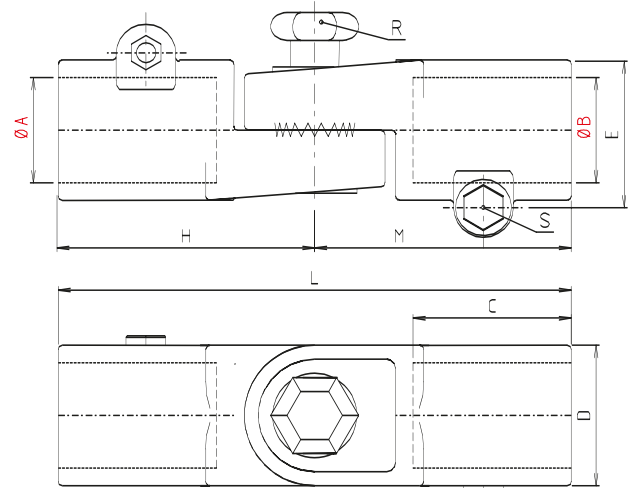
Type GWZ 12–18



Type GWZ 20–60

GWZ - Industrial design

Code No.	Type	A	B	C	D	E	G	H	K	L	M	P	R	T	m [g]	Clamping lever S Code No.
181200040200	GWZ 12	12,1	12,1												135	90210
181400040200	GWZ 14	14,1	14,1												129	
181600040200	GWZ 16	16,1	16,1	25	26	29,4	26	27	84	95,5	44	21	M6x26	M6x16	123	
181800040200	GWZ 18	18,1	18,1												115	
182000040200	GWZ 20	20,1	20,1												428	9022401
182500040200	GWZ 25	25,1	25,1	45	40	40	40	43	136	146	73	33	M8x40	M8x35	391	
183000040200	GWZ 30	30,1	30,1												344	
183200040200	GWZ 32	32,2	32,2												999	9024301
183500040200	GWZ 35	35,2	35,2	60	56	56	56	60	188	200	100	48	M10x50	M10x50	943	
184000040200	GWZ 40	40,2	40,2												861	
184200040200	GWZ 42	42,2	42,2												1361	9024401
184500040200	GWZ 45	45,2	45,2												1287	
184800040200	GWZ 48	48,2	48,2	70	66	66	66	70	218	230	115	58	M10x50	M10x60	1211	
185000040200	GWZ 50	50,2	50,2												1166	
186000040200	GWZ 60	60,3	60,3	80	80	80	85	85	260	273	135	68	M12x50	M10x60	2050	9024401



With toothing - rotation of 180°, engaging at 15° intervals



Type GPZ 12–18



Type GPZ 20–60

GPZ - Industrial design

Code No.	Type	A	B	C	D	E	H	L	M	R	T	[mm] m [g]	Clamping lever S Code No.
181200050200	GPZ 12	12,1	12,1	25	26	29,4	44	95,5	44	M6x26	M6x16	135	90210
181400050200	GPZ 14	14,1	14,1									129	
181600050200	GPZ 16	16,1	16,1									123	
181800050200	GPZ 18	18,1	18,1									115	
182000050200	GPZ 20	20,1	20,1	45	40	40	73	146	73	M8x40	M8x35	460	9022401
182500050200	GPZ 25	25,1	25,1									414	
183000050200	GPZ 30	30,1	30,1									370	
183200050200	GPZ 32	32,2	32,2	60	56	56	100	200	100	M10x50	M10x50	1069	9024301
183500050200	GPZ 35	35,2	35,2									1012	
184000050200	GPZ 40	40,2	40,2									916	
184200050200	GPZ 42	42,2	42,2									1482	
184500050200	GPZ 45	45,2	45,2	70	66	66	115	230	115	M10x60	M10x60	1393	9024401
184800050200	GPZ 48	48,2	48,2									1316	
185000050200	GPZ 50	50,2	50,2									1261	
186000050200	GPZ 60	60,3	60,3	80	80	80	135	270	135	M12x50	M10x60	2200	9024401

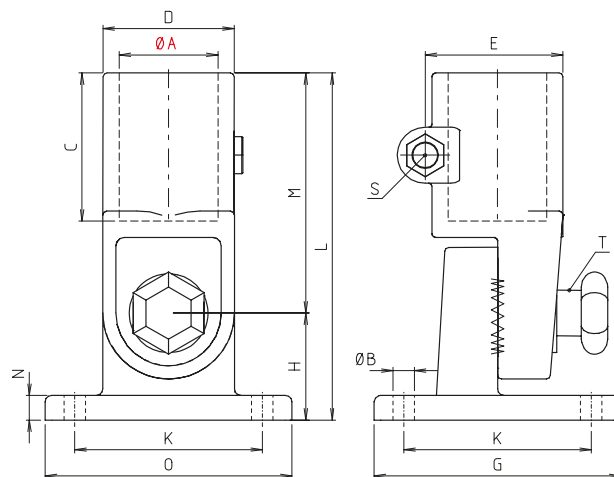
Solid Clamps – Hinge clamps

Order instruction:

- Standard equipment premounted zinc plated screws
- Clamping levers have to be ordered separately
Delivery unassembled
See table last column and page 230

On request:

- Stainless steel screws
- Ball-polished
- Colour



With toothing - rotation of 180°, engaging at 15° intervals



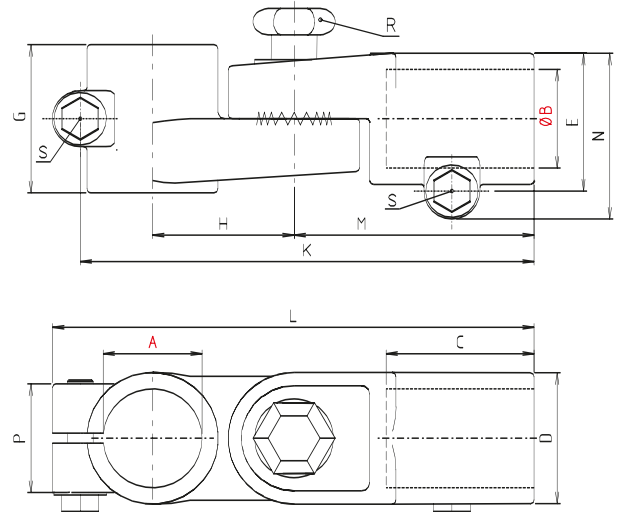
TYPE GFZ 12-18



TYPE GFZ 20-50

GFZ - Industrial design

Code No.	Type	[mm]													m [g]	Clamping lever S code No.
		A	B	C	D	E	G	H	K	L	M	N	O	T		
18120007020	GFZ 12	12,1	5,3	25	26	29,4	50	27	40	64	44	5	35	M6x26	106	90210
18140007020	GFZ 14	14,1												103		
18160007020	GFZ 16	16,1												100		
18180007020	GFZ 18	18,1												96		
18200007020	GFZ 20	20,1	7	45	40	40	75	32,5	57	105,5	73	7	75	M8x50	409	9022401
18250007020	GFZ 25	25,1												398		
18300007020	GFZ 30	30,1												368		
18320007020	GFZ 32	32,2												949		
18350007020	GFZ 35	35,2	9	60	56	56	100	44	76	144	100	10	100	M10x52	923	9024301
18400007020	GFZ 40	40,2												866		
18420007020	GFZ 42	42,2												1365		
18450007020	GFZ 45	45,2												1318		
18480007020	GFZ 48	48,2	9	70	66	66	125	52	98	167	115	12	125	M10x60	1279	9024401
18500007020	GFZ 50	50,2												1287		



With tooththing - rotation of 180°, engaging at 15° intervals



GQZ - Industrial design

Code No.	Type	A	B	C	D	E	G	H	K	L	M	N	P	R	[mm]	
															m [g]	Clamping lever S Code No.
182000060200	GQZ 20	20,1	20,1	45	40	40	45	43	136	146	73	50	33	M8x40	450	9022401
182500060200	GQZ 25	25,1	25,1												412	
183000060200	GQZ 30	30,1	30,1												358	
183200060200	GQZ 32	32,2	32,2	60	56	56	60	60	188	200	100	68	48	M10x52	1045	9024301
183500060200	GQZ 35	35,2	35,2												990	
184000060200	GQZ 40	40,2	40,2												870	

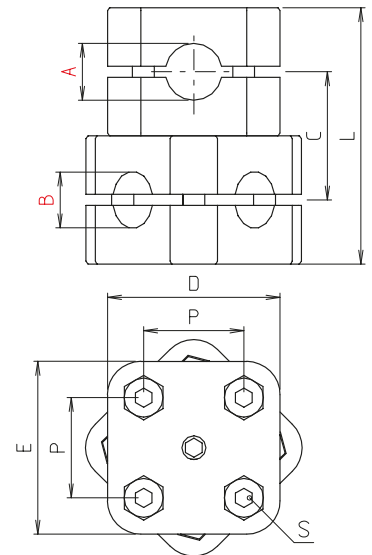
Solid Clamps – Hinge clamps

Order instruction:

- Standard equipment premounted zinc plated screws
- Clamping levers have to be ordered separately
Delivery unassembled
See table last column and page 230

On request:

- Stainless steel screws
- Ball-polished
- Colour

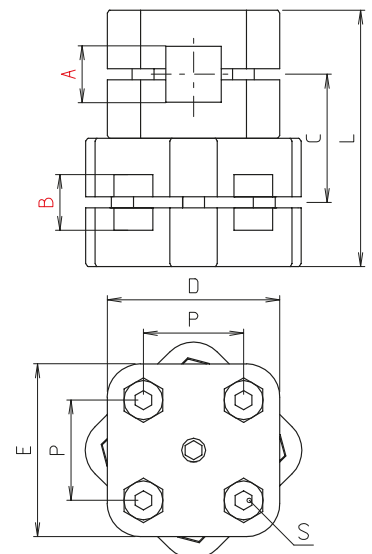


Without toothing 360° infinitely

GKPR - Block form

[mm]

Code No.	Type	A	B	C	D	E	L	P	S	m [g]
290800080266	GKPR 8	8	8	23	31	31	46	18	M4x18	96
291000080266	GKPR 10	10	10							92

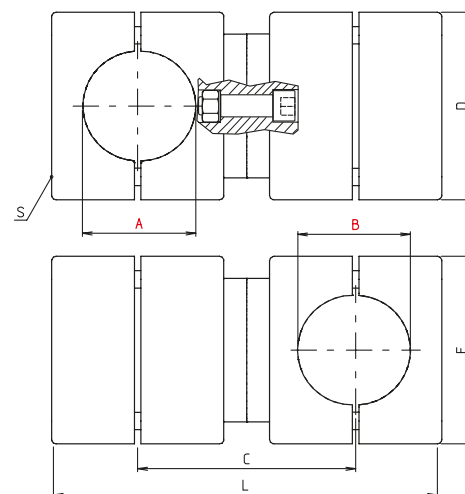


Without toothing 360° infinitely

GKPV - Block form

[mm]

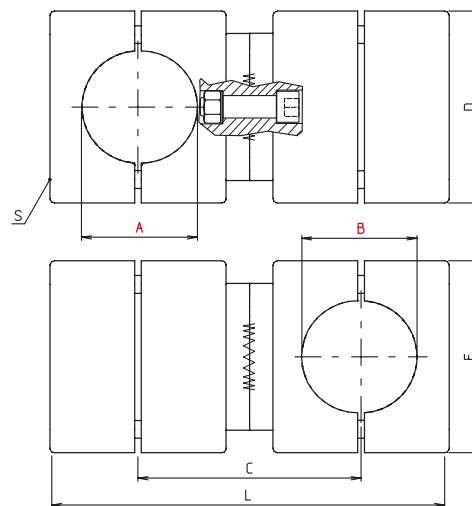
Code No.	Type	A	B	C	D	E	L	P	S	m [g]
291000090266	GKPV 10	10	10	23	31	31	46	18	M4x18	88



Without tothing 360° infinitely

GKR - Block form

Code No.	Type	A	B	C	D	E	L	m [g]	Clamping lever S Code No.
284000080266	GKR 40	40,2	40,2	75	70	70	137	899	9021601
284200080266	GKR 42	42,3	42,3	100	88	88	179	1997	9022901
284500080266	GKR 45	45,3	45,3					1941	
284800080266	GKR 48	48,3	48,3					1946	
285000080266	GKR 50	50,3	50,3					1903	



With tothing - rotation of 360°, engaging at 15° intervals

GKRZ - Block form

Code No.	Type	A	B	C	D	E	L	m [g]	Clamping lever S Code No.
284000090266	GKRZ 40	40,2	40,2	75	70	70	137	910	9021601
284200090266	GKRZ 42	42,3	42,3	100	88	88	179	2003	9022901
284500090266	GKRZ 45	45,3	45,3					1956	
284800090266	GKRZ 48	48,3	48,3					1933	
285000090266	GKRZ 50	50,3	50,3					1914	

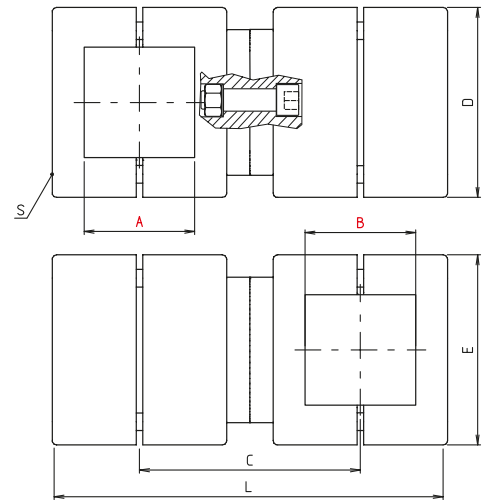
Solid Clamps – Hinge clamps

Order instruction:

- Standard equipment premounted zinc plated screws
- Clamping levers have to be ordered separately
Delivery unassembled
See table last column and page 230

On request:

- Stainless steel screws
- Ball-polished
- Colour

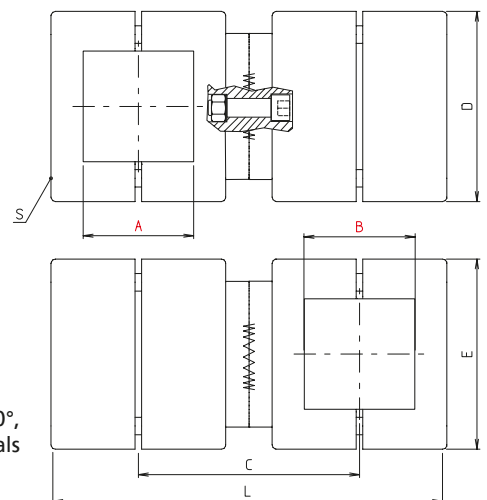


Without tothing 360° infinitely

GKV - Block form

[mm]

Code No.	Type	A	B	C	D	E	L	m [g]	Clamping lever S Code No.
284000100266	GKV 40	40,4	40,4	75	70	70	137	827	9021601
285000100266	GKV 50	50,5	50,5	100	88	88	179	1816	9022901



With tothing - rotation of 180°,
engaging at 15° intervals

GKVZ - Block form

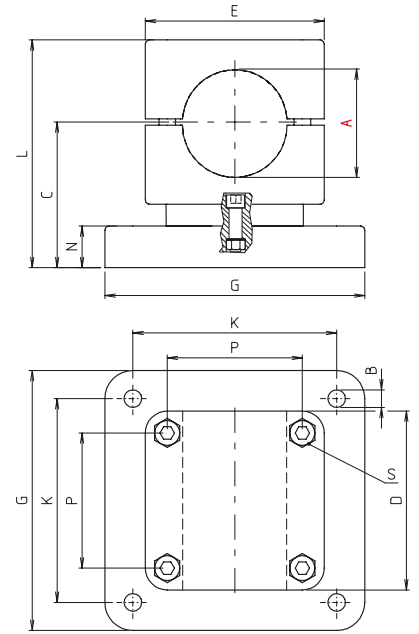
[mm]

Code No.	Type	A	B	C	D	E	L	m [g]	Clamping lever S Code No.
284000110266	GKVZ 40	40,4	40,4	75	70	70	137	834	9021601
285000110266	GKVZ 50	50,5	50,5	100	88	88	179	1826	9022901



GFKR - Block form

Without tothing 360° infinitely



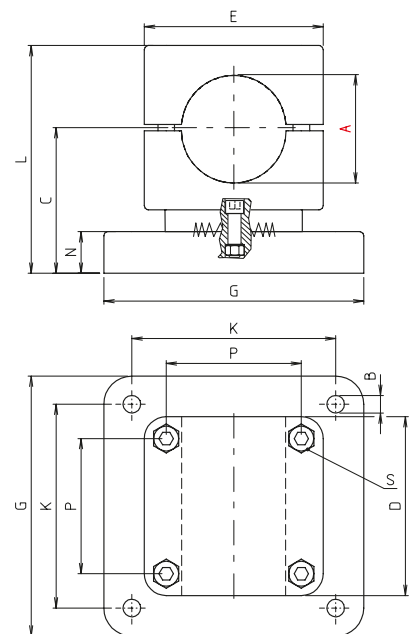
[mm]

Code No.	Type	A	B	C	D	E	G	K	L	N	P	m [g]	Clamping lever S Code No.
28400012026	GFKR 40	40,2	8,5	58	70	70	125	98	88,5	20	53	1064	9021601
28420012026	GFKR 42	42,3	8,5	70	88	88	125	98	109,5	20	65	1606	9022901
28450012026	GFKR 45	45,3										1576	
28480012026	GFKR 48	48,3										1570	
28500012026	GFKR 50	50,3										1566	



GFKRZ - Block form

With tothing - rotation of 180°, engaging at 15° intervals



[mm]

Code No.	Type	A	B	C	D	E	G	K	L	N	P	m [g]	Clamping lever S Code No.
28400013026	GFKRZ 40	40,2	8,5	58	70	70	125	98	88,5	20	53	1066	9021601
28420013026	GFKRZ 42	42,3	8,5	70	88	88	125	98	109,5	20	65	1615	9022901
28450013026	GFKRZ 45	45,3										1590	
28480013026	GFKRZ 48	48,3										1576	
28500013026	GFKRZ 50	50,3										1565	

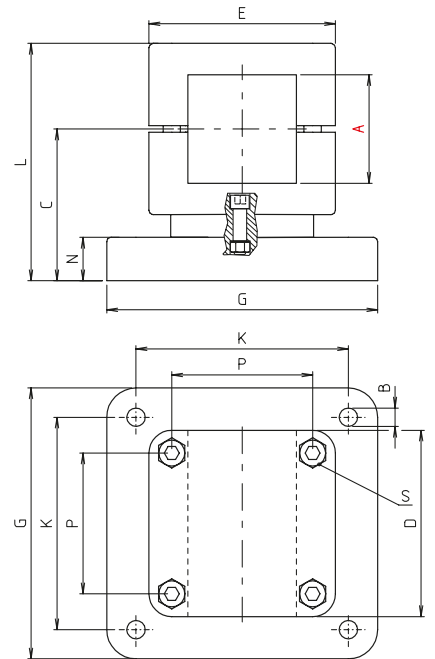
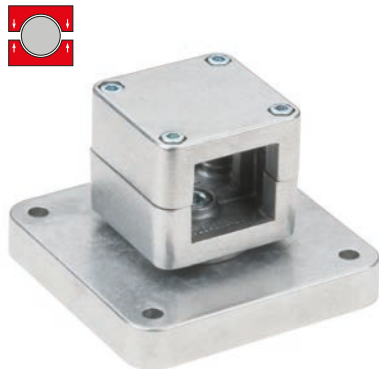
Solid Clamps – Hinge clamps

Order instruction:

- Standard equipment premounted zinc plated screws
- Clamping levers have to be ordered separately
Delivery unassembled
See table last column and page 230

On request:

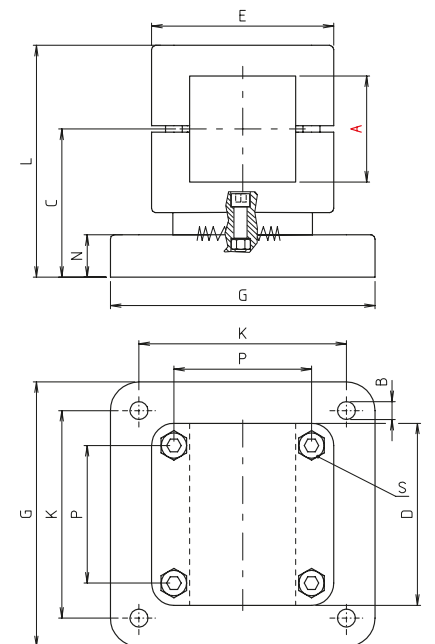
- Stainless steel screws
- Ball-polished
- Colour



Without tothing 360° infinitely

GFKV - Block form

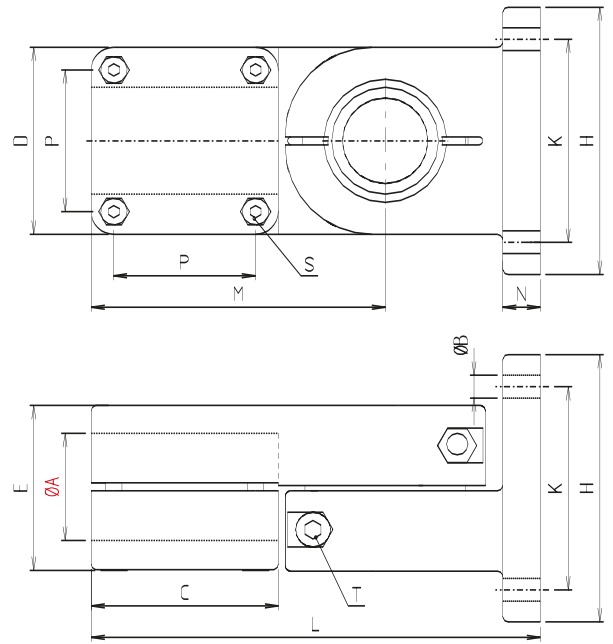
Code No.	Type	A	B	C	D	E	G	K	L	N	P	m [g]	Clamping lever S Code No.
28400014026	GFKV 40	40,4	8,5	58	70	70	125	98	88,5	20	53	1025	9021601
28500014026	GFKV 50	50,5	8,5	70	88	88	125	98	110	20	65	1515	9022901



With tothing - rotation of 180°,
engaging at 15° intervals

GFKVZ - Block form

Code No.	Type	A	B	C	D	E	G	K	L	N	P	m [g]	Clamping lever S Code No.
28400015026	GFKVZ 40	40,4	8,5	58	70	70	125	98	88,5	20	53	1031	9021601
28500015026	GFKVZ 50	50,5		70	88	88			109,5			65	1522

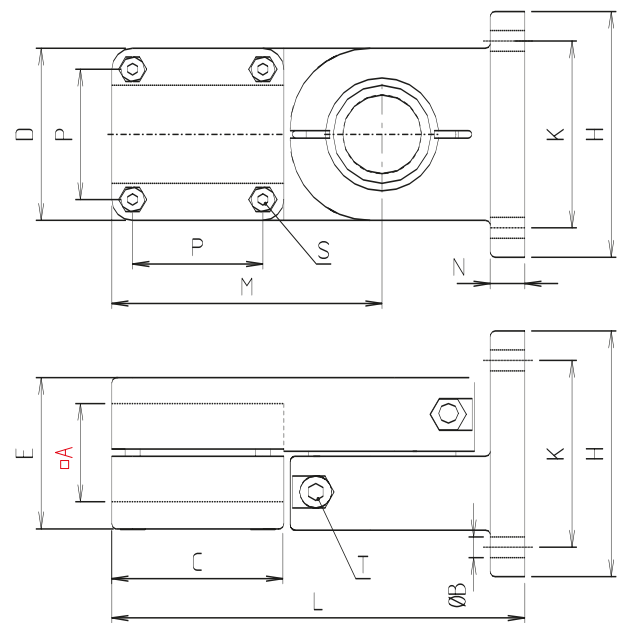


Rotation of 180°, infinitely

GFR - Block form

[mm]

Code No.	Type	A	B	C	D	E	H	K	L	M	N	P	m [g]	S	T
														Clamping lever Code No.	
28400018026	GFR 40	40,2	8,5	70	70	62	100	76	168	110	14	53	1448	9021601	9300201



Rotation of 180°, infinitely

GFV - Block form

[mm]

Code No.	Type	A	B	C	D	E	H	K	L	M	N	P	m [g]	S	T
														Clamping lever Code No.	
28400022026	GFV 40	40,4	8,5	70	70	62	100	76	168	110	14	53	1413	9021601	9300201

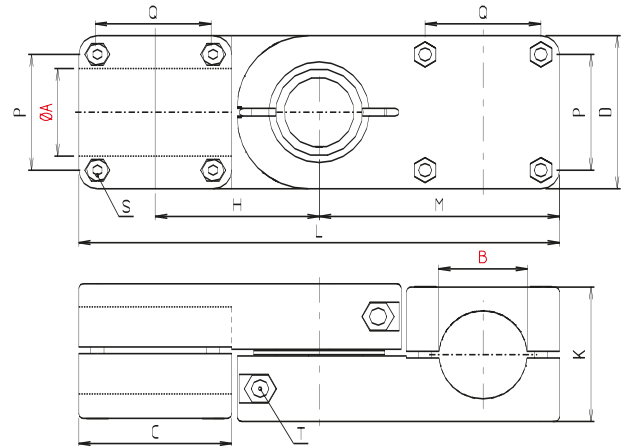
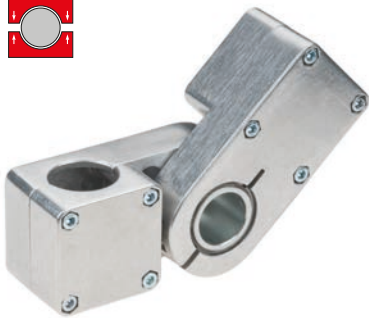
Solid Clamps – Hinge clamps

Order instruction:

- Standard equipment premounted zinc plated screws
- Clamping levers have to be ordered separately
Delivery unassembled
See table last column and page 230

On request:

- Stainless steel screws
- Ball-polished
- Colour

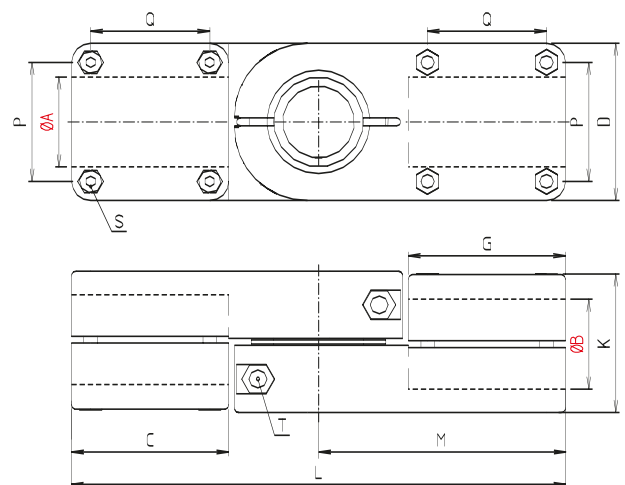


Rotation of 180°, infinitely

GWR - Block form

[mm]

Code No.	Type	A	B	C	D	H	K	L	M	P	Q	m [g]	S	T
													Clamping lever Code No.	
284000160266	GWR 40	40,2	40,2	70	70	75	62	220	110	53	53	1561	9021601	9021601

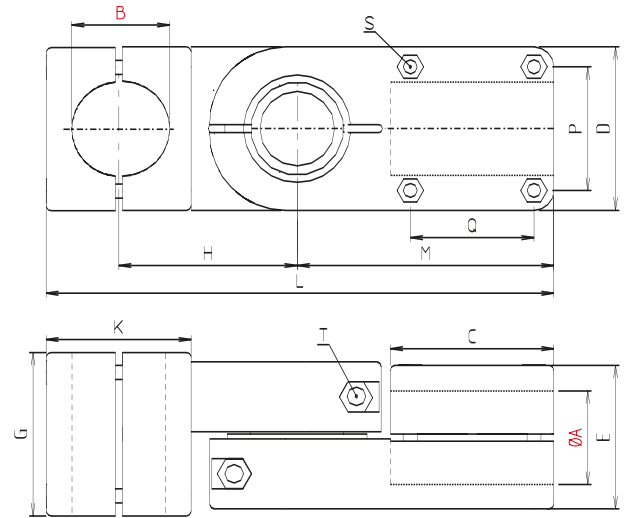


Rotation of 180°, infinitely

GPR - Block form

[mm]

Code No.	Type	A	B	C	D	G	K	L	M	P	Q	m [g]	S	T
													Clamping lever Code No.	
284000170266	GPR 40	40,2	40,2	70	70	70	62	220	110	53	53	1533	9021601	9300201

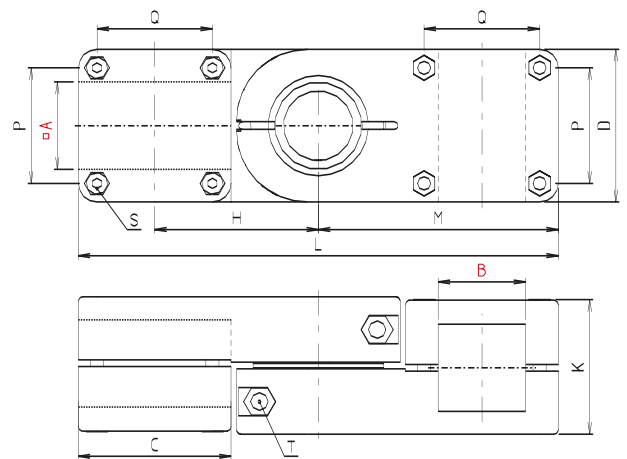


Rotation of 180°, infinitely

GQR - Block form

[mm]

Code No.	Type	A	B	C	D	E	G	H	K	L	M	P	Q	m [g]	S	T
															Clamping lever Code No.	
284000190266	GQR 40	40,2	40,2	70	70	62	70	75	76	216	110	53	53	1583	9021601	9300201



Rotation of 180°, infinitely

GWV - Block form

[mm]

Code No.	Type	A	B	C	D	H	K	L	M	P	Q	m [g]	S	T
													Clamping lever Code No.	
284000200266	GWV 40	40,4	40,4	70	70	75	62	220	110	53	53	1473	9021601	9300201

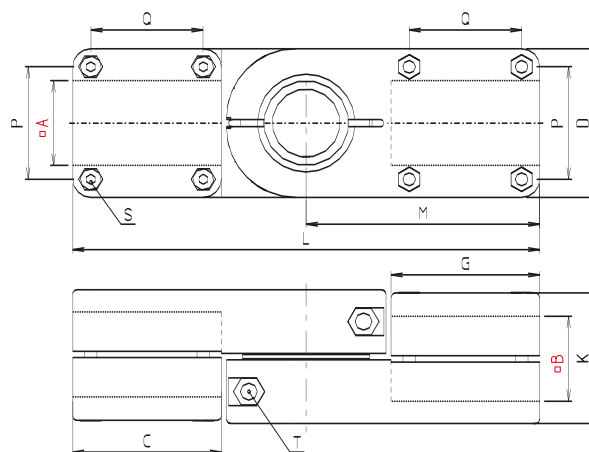
Solid Clamps – Hinge clamps

Order instruction:

- Standard equipment premounted zinc plated screws
- Clamping levers have to be ordered separately
Delivery unassembled
See table last column and page 230

On request:

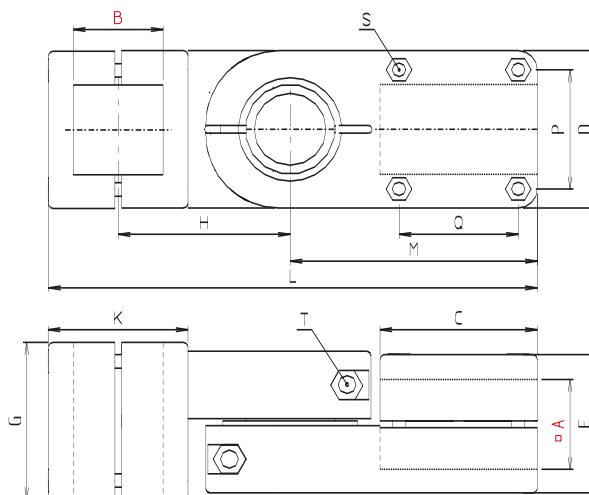
- Stainless steel screws
- Ball-polished
- Colour



Rotation of 180°, infinitely

GPV - Block form

Code No.	Type	A	B	C	D	G	K	L	M	P	Q	R	m [g]	Clamping lever S Code No.
284000210266	GPV 40	40,4	40,4	70	70	70	62	220	110	53	53	M6x55	1486	9021601



Rotation of 180°, infinitely

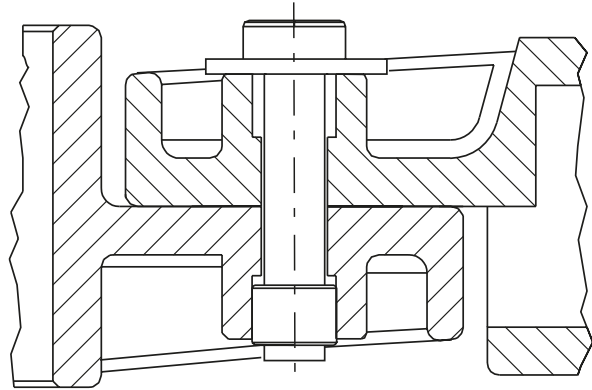
GQV - Block form

Code No.	Type	A	B	C	D	E	G	H	K	L	M	P	Q	m [g]	Clamping lever S Code No.
284000230266	GQV 40	40,4	40,4	70	70	62	70	75	62	216	110	53	53	1523	9021601 9021601

Sectional views

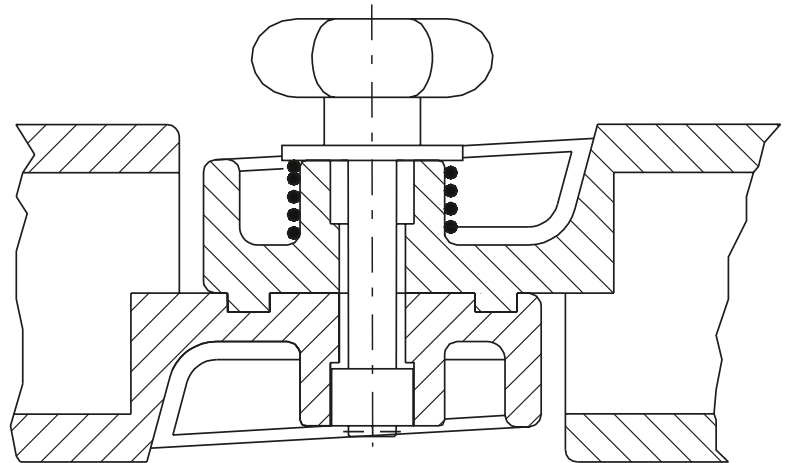
Industrial design without tothing

Pivot connected with screw



Industrial design with tothing

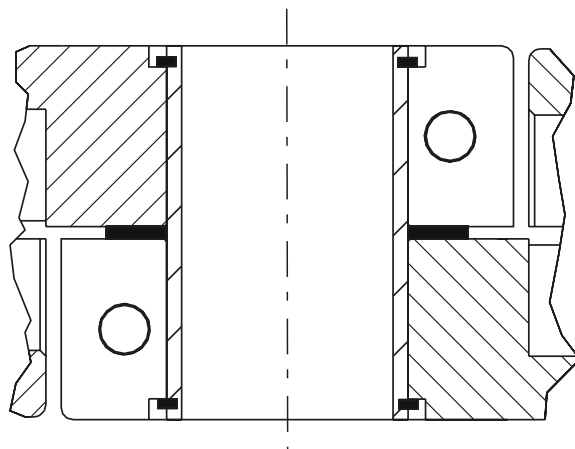
Pivot connected with star grip screw



Block form - tube connector

Pivot connected with tube jointing sleeve and sliding disk

Pivot connected with tube jointing sleeve and sliding disk



On request, all size combinations of the rated diameters A and B are available within a series.

Solid Clamps – Ball joint



Version:

■ Ball joint

delivery
from stock



Single-piece elements

✓ For the quick and inexpensive installation



Industrial design

- Cast aluminium
- Great variety
- Single-piece elements

Features:

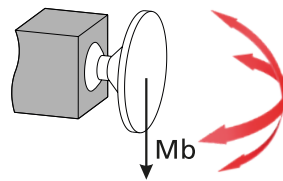
- 60° free swivelling / can be turned through 360°
- combinable with tube connectors size 30
- The clamps feature a universal connecting plate for flexible integration
- high-strength clamping due to special surfaces
- The ball joints are designed for loads of up to 40 Nm (static)

Loads

Attention!

The data in the chart do not ensure a guarantee of quality or a warrant characteristic of our products. These are nonbinding standard values which might be not reached in individual cases due to the temperature or surface finish of the clamping profile.

Load data



Bending moment Mb [Nm]

Size	18	30
Solid Clamps (aluminium)		
KGW	9	-
KGFS-2	9	-
KGFS	-	40
KGM	-	40
KGMM	-	40
KGGPZ	9	40

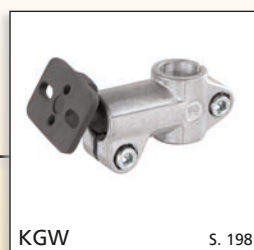
Tightening torque of clamping screws:

M6: 10 Nm
M8: 25 Nm

Material data sheet available upon request.

Overview

Ball joint tube connectors



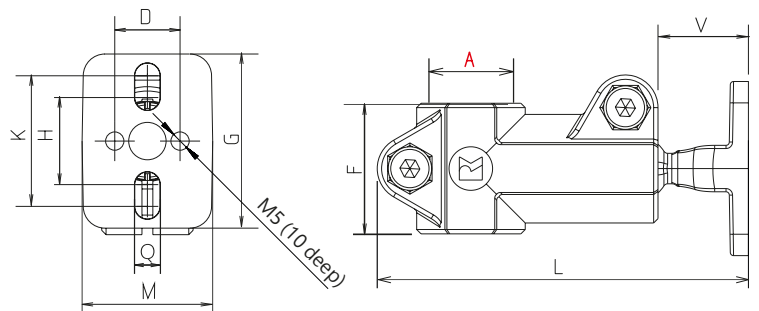
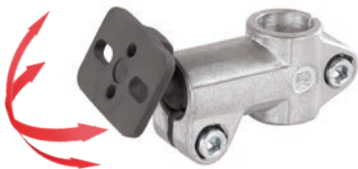
Solid Clamps – Ball joint

Order instruction:

- Standard equipment premounted zinc plated screws

On request:

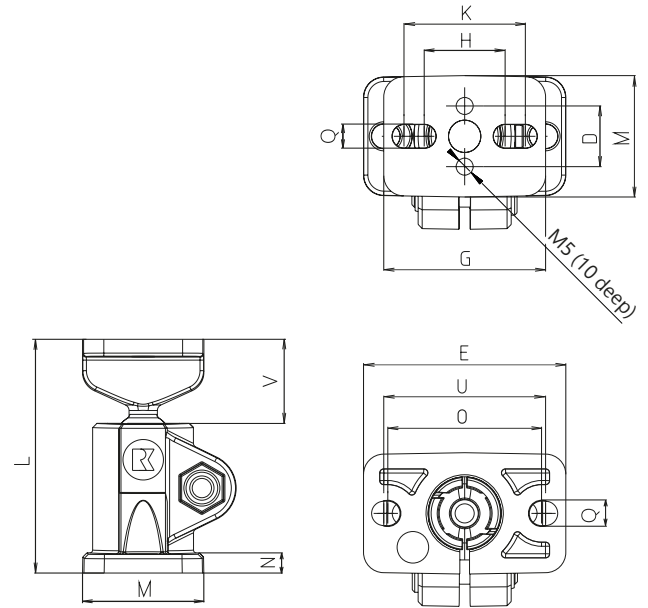
- Stainless steel screws
- Ball-polished
- Colour



KGW 18 - Industrial design

[mm]

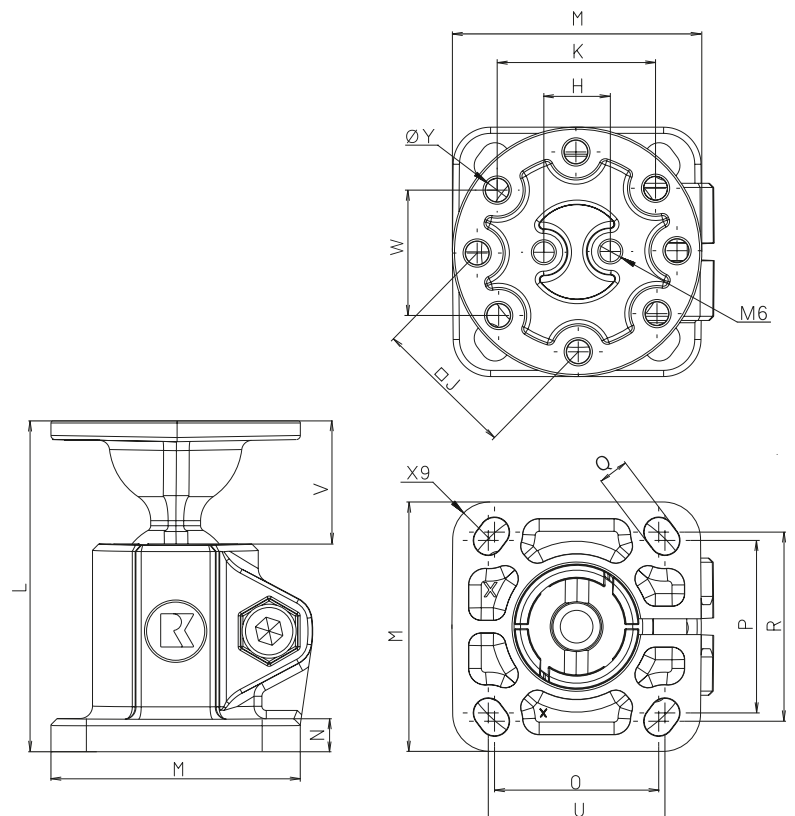
Code No.	Type	A	D	F	G	H	K	L	M	Q	V	m [g]
111800350260	KGW 18	18,1	15	32	40	20	30	87	30	5,5	21	97



KGFS-2 18 - Industrial design

[mm]

Code No.	Type	D	E	G	H	K	L	M	N	O	Q	U	V	m [g]
131800350260	KGFS-2 18	15	50	40	20	30	58	30	5	38	5,5	40	21	76



KGFS 30 - Industrial design

[mm]

Code No.	Type	H	J	K	L	M	N	O	P	Q	R	U	V	W	Y	m [g]
133000350260	KGFS 30	16	34	38,1	80	60	8	39,5	41,5	7	45,5	42,5	30	30,2	5,8	227

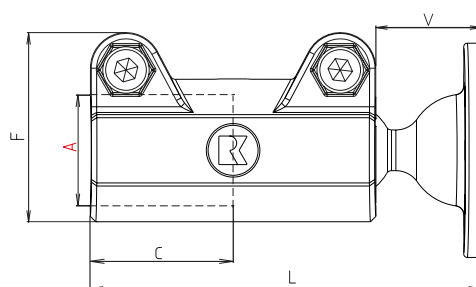
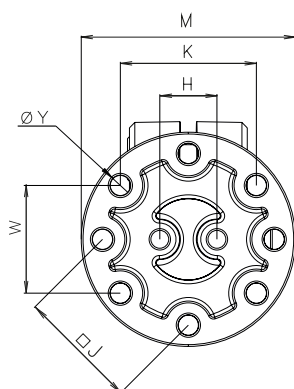
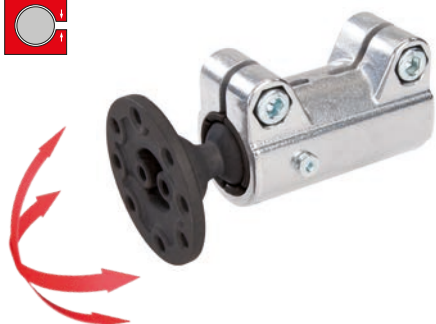
Solid Clamps – Ball joint

Bestellhinweise:

- Standardbestückung mit galv. verzinkten Schrauben vormontiert

Auf Anfrage:

- Edelstahlschrauben
- kugelpoliert
- Farbe



KGM 30 - Industrial design

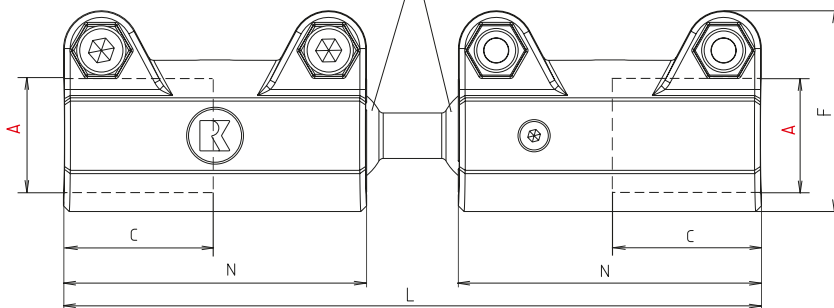
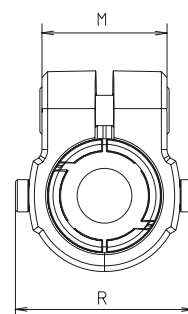
[mm]

Code No.	Type	A	C	F	H	J	K	L	M	V	W	Y	m [g]
143000350260	KGM 30	30,1	40	53	16	34	38,1	110	60	30	30,2	5,8	258



Type KGMM 30

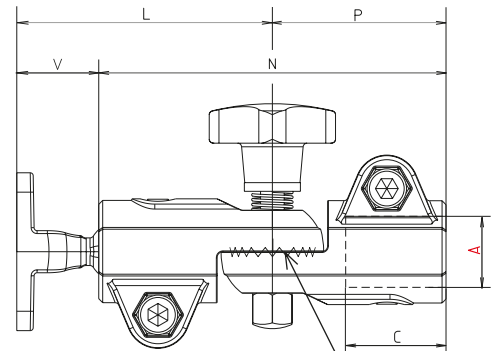
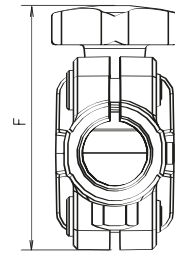
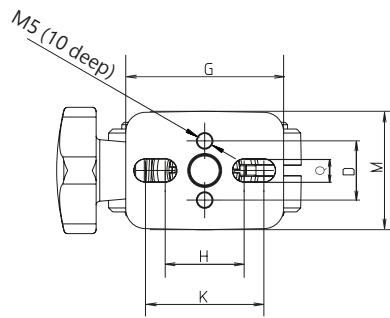
Double ball joint
Swivel range 60°
Schwenkbereich 60°



KGMM 30 - Industrial design

[mm]

Code No.	Type	A	C	F	L	M	N	R	m [g]
143000360260	KGMM 30	30,1	40	53	184	33	80	47	445

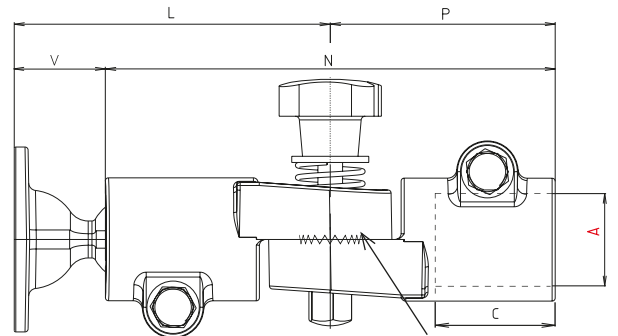
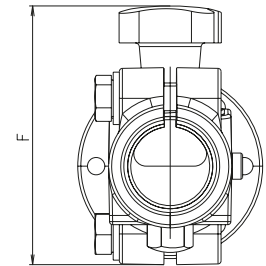
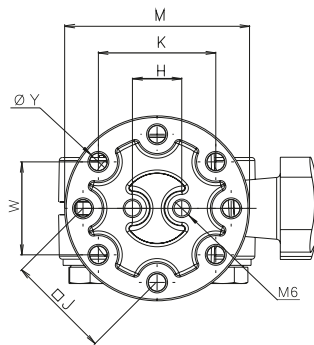
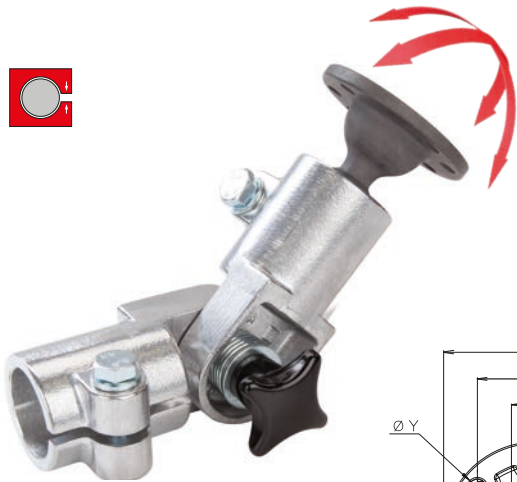


With tothing, rotation of 180°, 15° intervals

KGGPZ 18 - Industrial design

[mm]

Code No.	Type	A	C	D	F	G	H	K	L	M	N	P	Q	V	m [g]
181800350260	KGGPZ 18	18,1	25	15	62	40	20	30	65	30	88	44	5,5	21	151



With tothing, rotation of 180°, 15° intervals

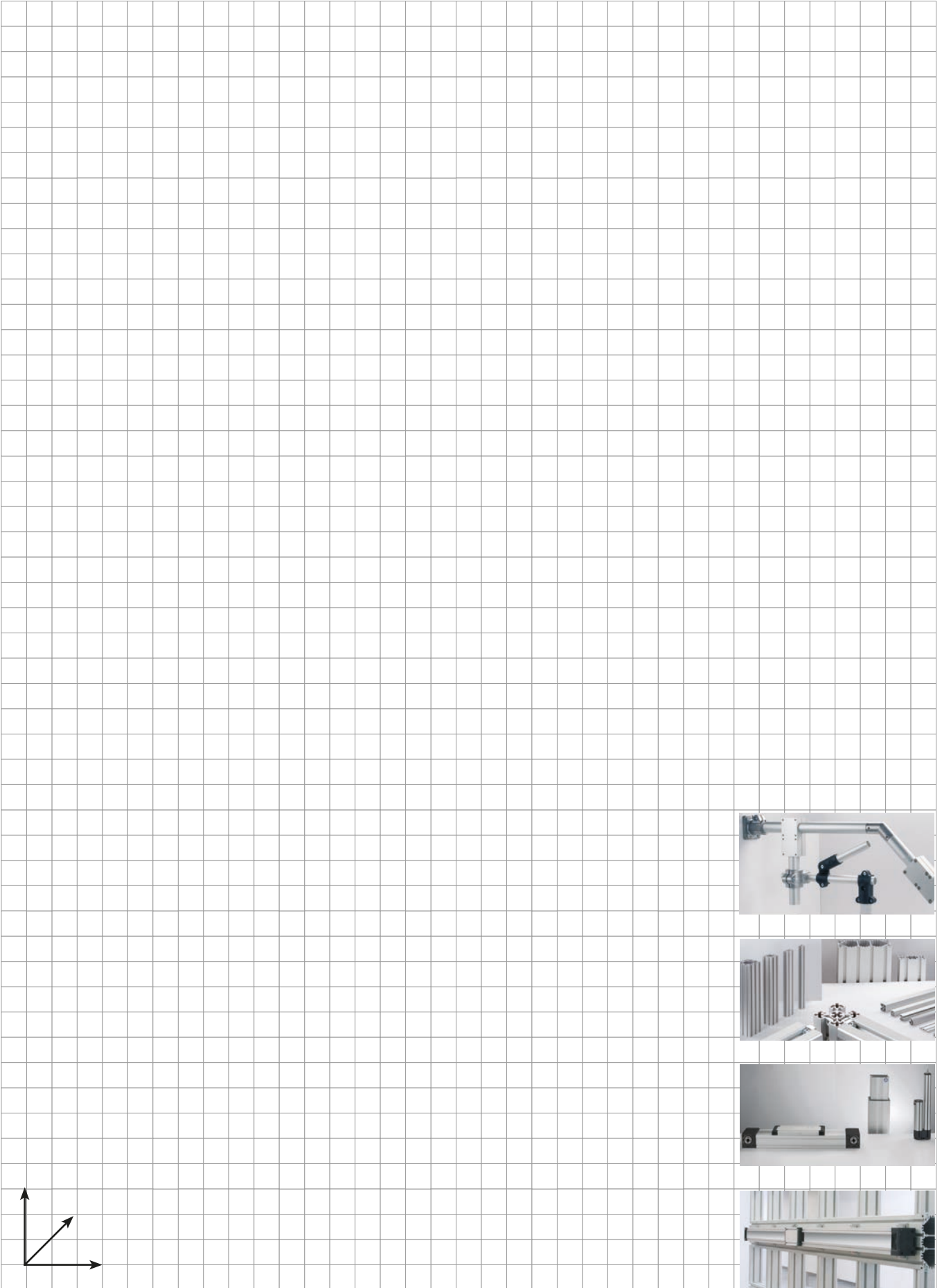
KGGPZ 30 - Industrial design

[mm]

Code No.	Type	A	C	F	H	J	K	L	M	N	P	V	W	Y	m [g]
183000350260	KGGPZ 30	30,1	45	84	16	34	38,1	103	60	146	73	30	30,2	5,8	436

Solid Clamps – Ball joint

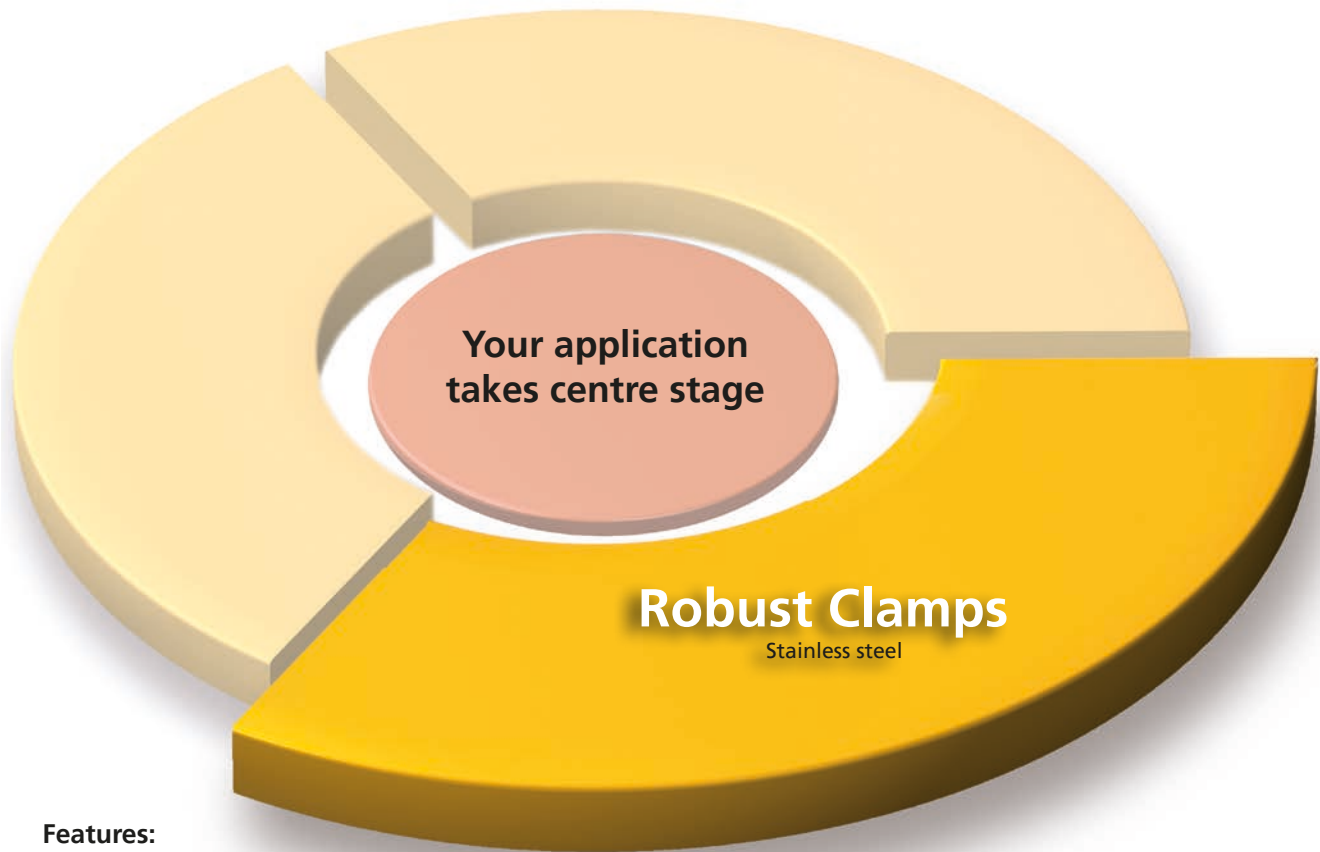
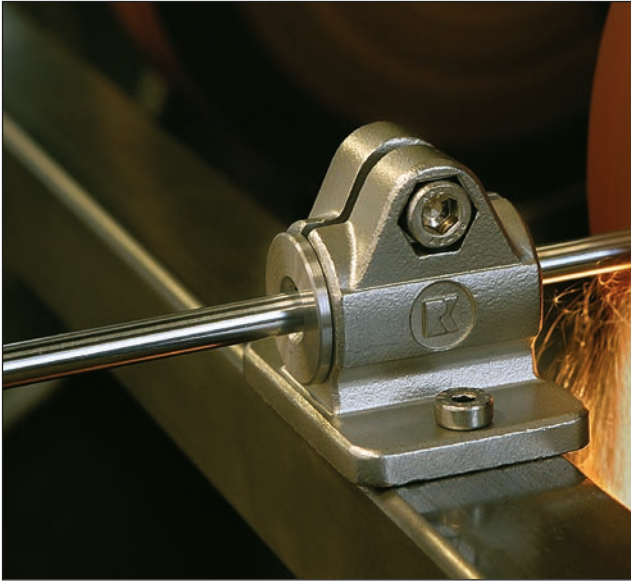




A large grid area for sketches and notes, with a small coordinate system in the bottom left corner.



Robust Clamps Shock-proof load range



Features:

- ✓ Extremely strong
- ✓ Vibration proof
- ✓ Impact and shock load



... specific demands require specific solutions.



RK ROSE+KRIEGER



Shock-proof load range

Loads..... page 209

Right angle tube connector..... page 212

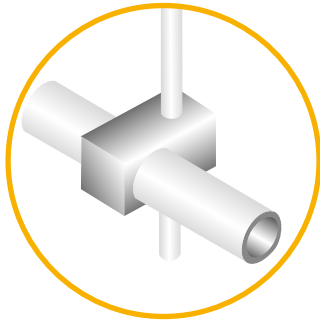
Axially parallel tube connector..... page 215

Robust Clamps

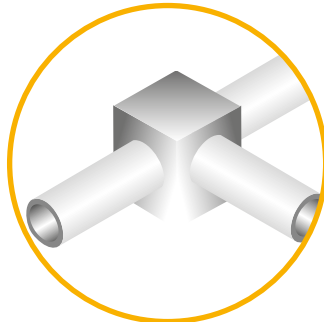


... specific demands require specific solutionp.

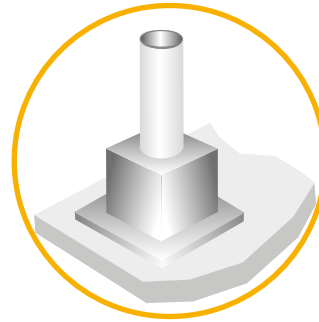
■ Right angle tube connector



Cross clamps

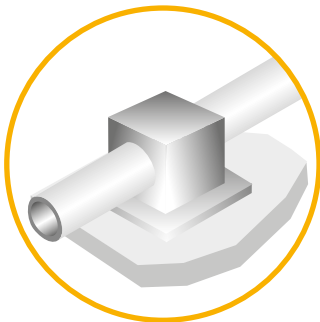


Angle clamps



Base clamps

■ Axially parallel tube connector

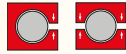


Flange clamps

Robust Clamps - table of contents

Right angle tube connector

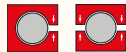
(Single-piece and multi-piece elements)



- Cross clamps p. 212
- Angle clamps p. 213
- Base clamps p. 214

Axially parallel tube connector

(Single-piece and multi-piece elements)



- Flange clamps p. 215

Accessories

- Accessories from p. 216



Verion:

■ Robust Clamps



delivery
from stock



Single-piece elements

✓ For the quick and inexpensive installation



Cross clamps



Angle clamps



Base clamps



Flange clamps

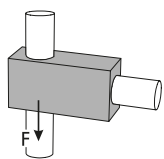
Stainless steel:

- Impact and shock load
- High temperature resistance
- Corrosion resistance
- Stainless steel precision casting

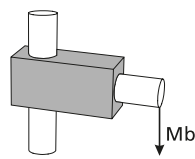
Loads robust clamps

Attention!

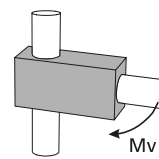
The data in the chart do not ensure a guarantee of quality or a warrant characteristic of our products. These are nonbinding standard values which might be not reached in individual cases due to the temperature or surface finish of the clamping profile.



Adhesion force F [kN]



Bending moment M_b [Nm]



Twisting moment M_v [Nm]

Tightening torque of

clamping screws:

M6: 10 Nm

M8: 25 Nm

M10: 50 Nm

Material data sheet
available upon request.

Size Type	Ø12 - 18			Ø 30			Ø 40		
	F	M_b	M_v	F	M_b	M_v	F	M_b	M_v
Cross clamps									
K-VA	7,3	328	37	8,6	975	104	15,5	1780	355
Angle clamps									
W-VA	4,4	449	31	5,8	1570	30	10,1	3360	183
Base clamps									
FS-VA	5,5	175	30	7,2	1420	82	7,9	2790	150
Flange clamps									
FK-VA	6,3	236	44	8,4	740	115	15,2	2580	236

Robust Clamps – Overview

Right angle
tube connector



Axially parallel tube
connector





Simple probe fixation in an aggressive environment.

Robust Clamps – Cross-/Angle clamps

Order instruction:

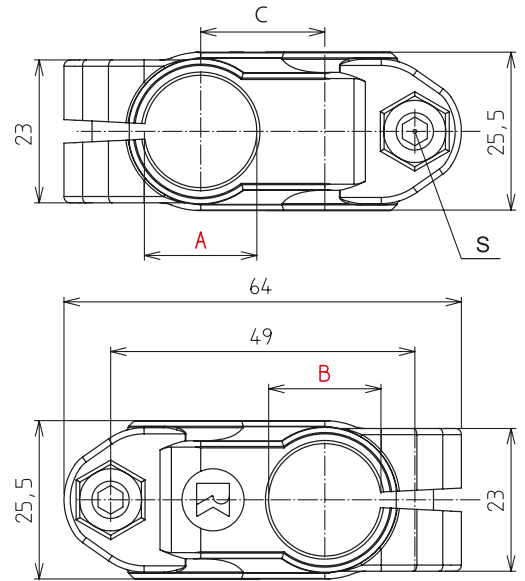
- Standard equipment premounted stainless steel screws
- Clamping levers have to be ordered separately
Delivery unassembled
See table last column and page 230



K-VA 12–14



K-VA 16–20



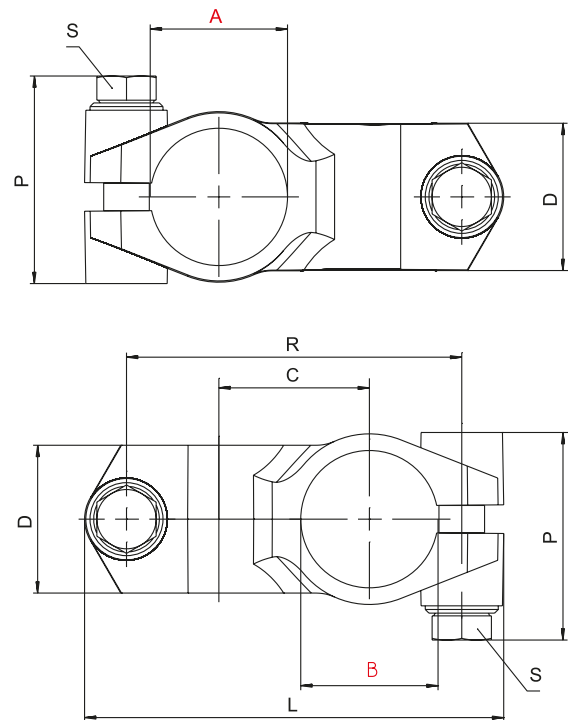
Cross clamps K-VA

[mm]

Code No.	Type	A	B	C	m [g]	Clamping lever S Code No.
101200003800	K-VA 12	12,1	12,1	20	198	93031
101400003800	K-VA 14	14,1	14,1	20	183	
101600003800	K-VA 16	16,1	16,1	20	165	
101800003800	K-VA 18	18,1	18,1	20	144	
102000003800	K-VA 20	20,1	20,1	21	106	

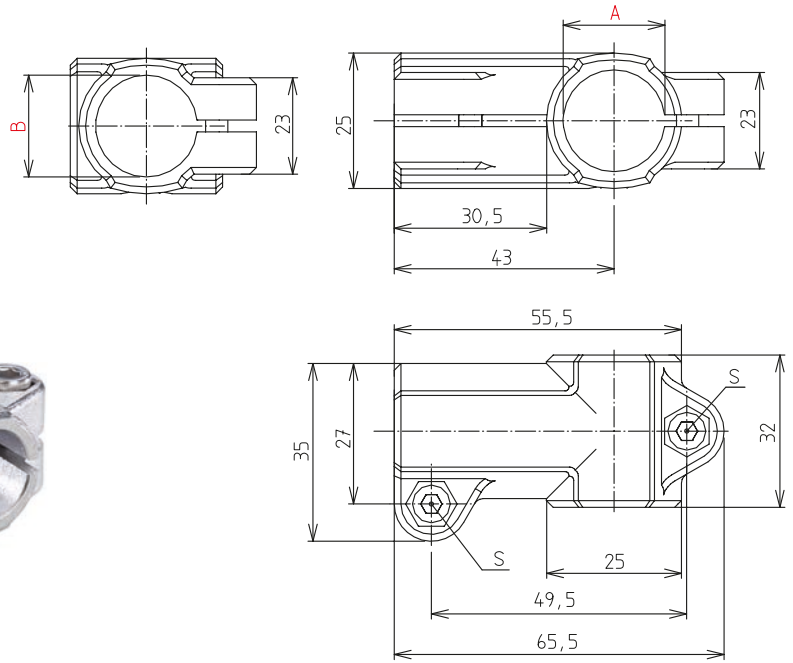


K-VA 30, 40



[mm]

Code No.	Type	A	B	C	D	L	P	R	m[g]	Clamping lever S Code No.
103000003900	K-VA 30	30,1	30,1	33	32,4	92	45,5	73,5	348	9300201
104000003900	K-VA 40	40,17	40,17	42	40,4	118	54	95,5	647	93023



W-VA 12-14



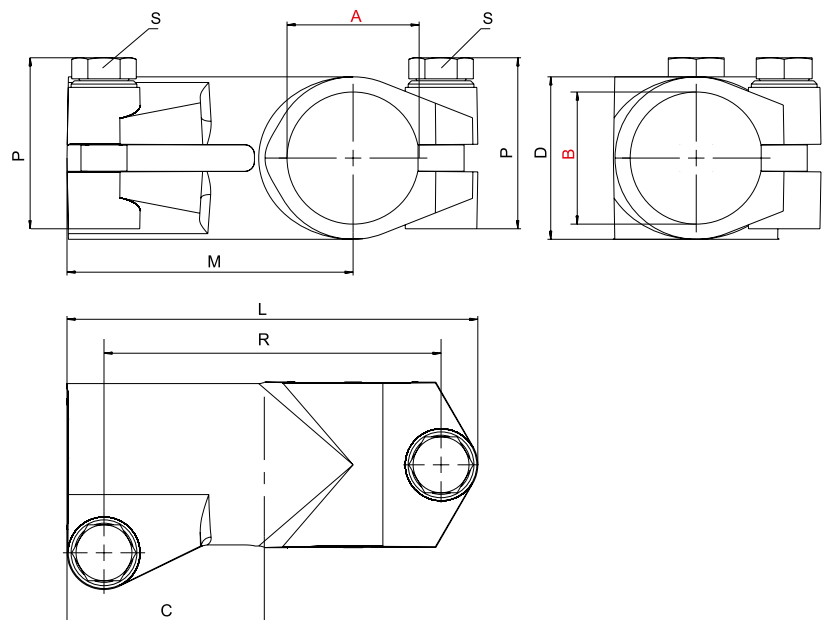
W-VA 16-20

Angle clamps W-VA

Code No.	Type	A	B	m [g]	Clamping lever S Code No.
111200003800	W-VA 12	12,1	12,1	235	93031
111400003800	W-VA 14	14,1	14,1	216	
111600003800	W-VA 16	16,1	16,1	194	
111800003800	W-VA 18	18,1	18,1	169	
112000003800	W-VA 20	20,1	20,1	123	



W-VA 30, 40



Code No.	Type	A	B	C	D	L	M	P	R	m [g]	Clamping lever S Code No.
113000003900	W-VA 30	30,1	30,1	40	38,4	87	58	45,5	69	403	9300201
114000003900	W-VA 40	40,17	40,17	60	50,4	124,9	87	54	102,5	875	93023

Robust Clamps – Base-/Flange clamps

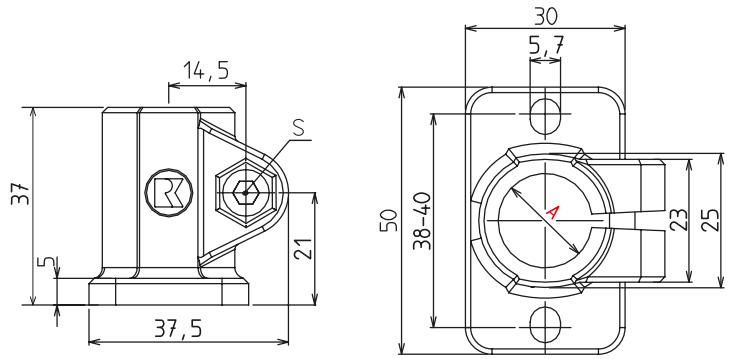
Order instruction:

- Standard equipment premounted stainless steel screws
- Clamping levers have to be ordered separately
Delivery unassembled
See table last column and page 230



FS-VA 12-14

FS-VA 16-20

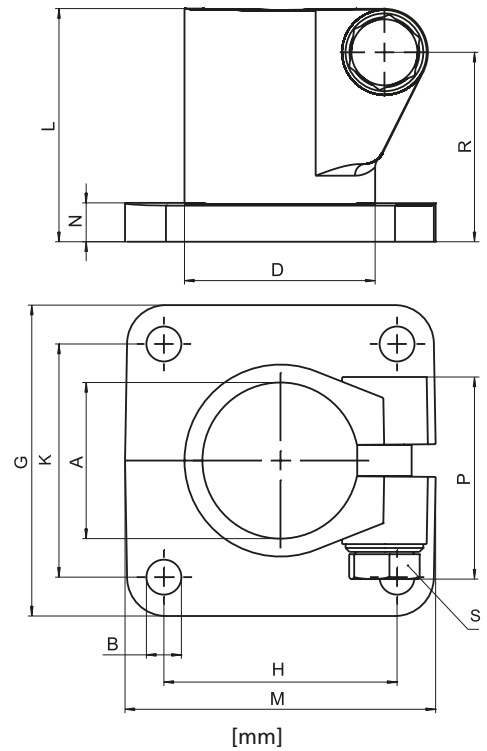


Base clamps FS-VA

Code No.	Type	A	m [g]	Clamping lever S Code No.
13120000380	FS-VA 12	12,1	163	93031
13140000380	FS-VA 14	14,1	151	
13160000380	FS-VA 16	16,1	138	
13180000380	FS-VA 18	18,1	124	
13200000380	FS-VA 20	20,1	99	



FS-VA 30, 40



Code No.	Type	A	B	D	G	H	K	L	M	N	P	R	m[g]	Clamping lever S Code No.
13300000390	FS-VA 30	30,1	7	37,4	60	40	40	50	60	7	45,5	41	316	9300201
13400000390	FS-VA 40	40,17	9	49,4	80	60	60	60	80	10	54	90	629	93023

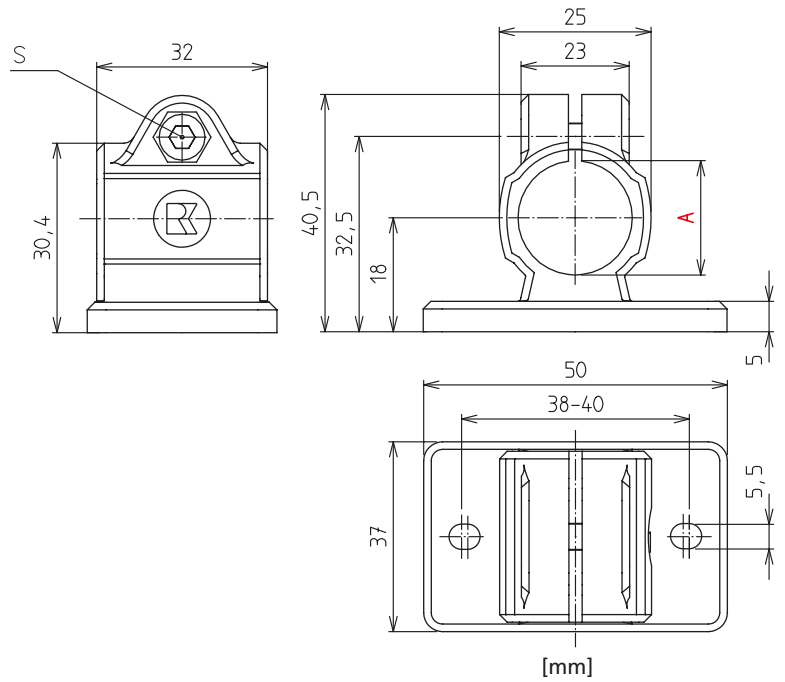


FK-VA 12-14



FK-VA 16-20

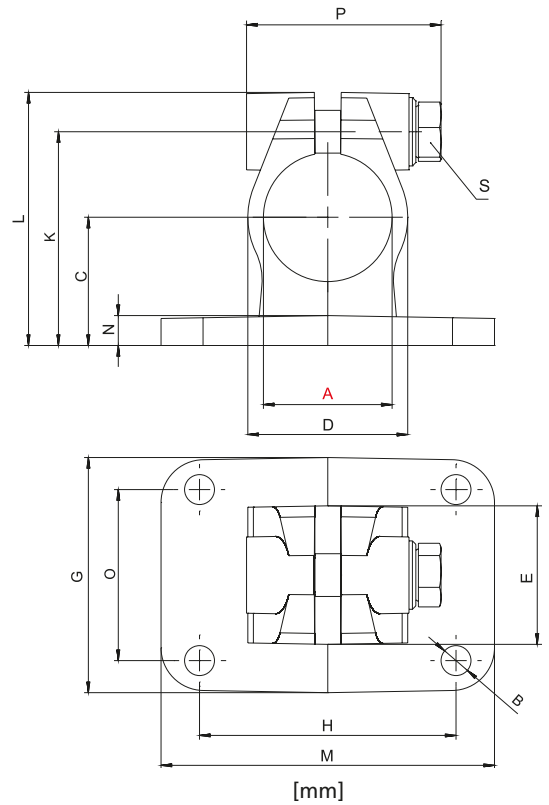
Flange clamps FK-VA



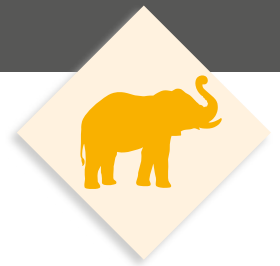
Code No.	Type	A	m [g]	Clamping lever S Code No.
12120000380	FK-VA 12	12,1	178	93031
12140000380	FK-VA 14	14,1	167	
12160000380	FK-VA 16	16,1	156	
12180000380	FK-VA 18	18,1	143	
12200000380	FK-VA 20	20,1	120	



FK-VA 30, 40



Code No.	Type	A	B	C	D	E	G	H	K	L	M	N	O	P	m[g]	Clamping lever S Code No.
12300000390	FK-VA 30	30,1	7	30	37,4	32,4	55	60	50	59,2	78	7	40	45,5	370	9300201
12400000390	FK-VA 40	40,17	9	42	49,4	46,4	80	60	69	80	80	10	60	54	849	93023





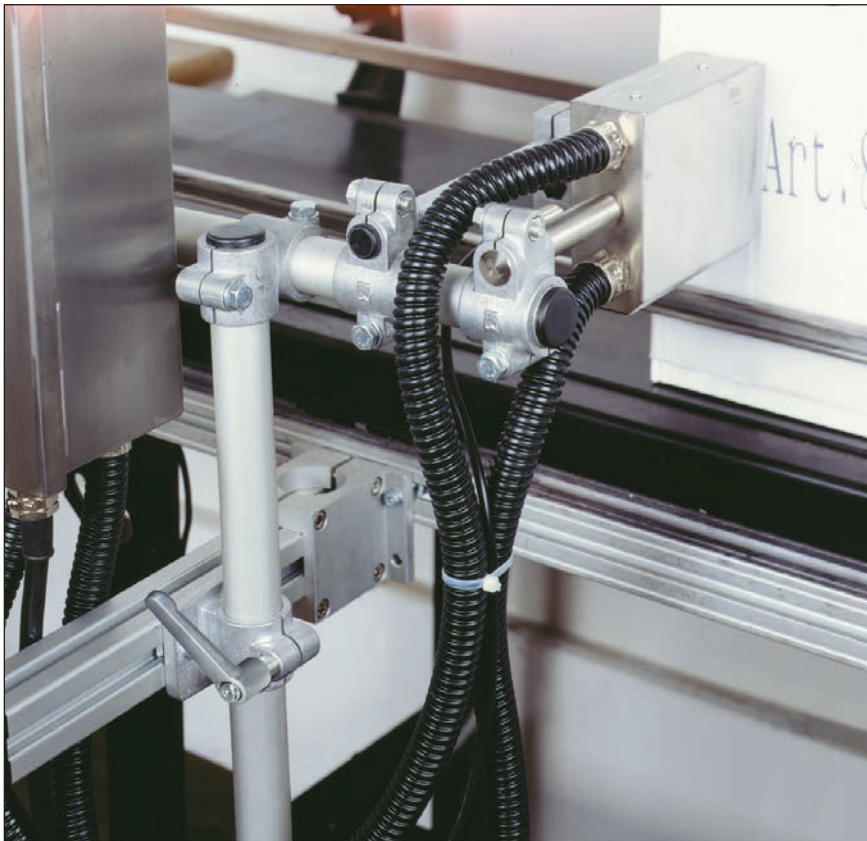
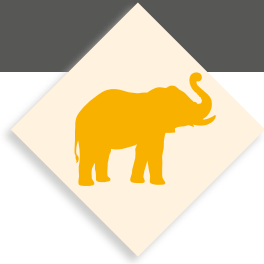
RK ROSE+KRIEGER



Light-, Solid- & Robust Clamps

Accessories from p. 218

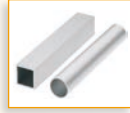
Accessories



Print head holder on a packaging machine – can be moved as required.

Accessories - table of contents

Accessories



■ Steel-, Stainless steel-, Aluminium tubes ... p. 220



■ Aluminium bars /-profiles p. 223



■ Threaded stopper p. 225



■ Tube stopper p. 226



■ Special tube fittings p. 227



■ Adjustable feet p. 228



■ Castors p. 229



■ Clamping levers / Insert nuts from p. 230

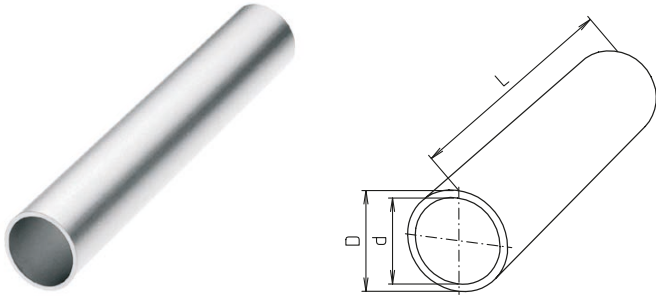


■ Adapter sleeve R28 p. 231

Accessories

Order instruction:

- Cut-to-length or standard lengths



Steel-, Stainless steel tubes / round

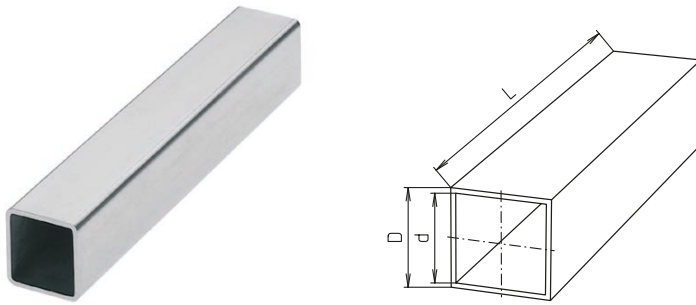
[mm]

Code No.	Type	D tol. zinc-plated	L max. zinc-plated	D tol. stainless steel	L max. stainless steel	d
801215_ _ _ _ _	12x1,5	12 ± 0,1	5000	12 ± 0,12	3000	9
801415_ _ _ _ _	14x1,5	14 ± 0,1		14 ± 0,14		11
801515_ _ _ _ _	15x1,5	15 ± 0,1		15 ± 0,15		12
801615_ _ _ _ _	16 x1,5	16 ± 0,1		16 ± 0,16		13
801815_ _ _ _ _	18x1,5	18 ± 0,1		18 ± 0,12		15
802020_ _ _ _ _	20x2	20 ± 0,1		20 ± 0,12	3000	16
802520_ _ _ _ _	25x2	25 ± 0,1		25 ± 0,25		21
803020_ _ _ _ _	30x2	30 ± 0,1		30 ± 0,10		26
803230_ _ _ _ _	32x3	32 ± 0,15		32 ± 0,15		26
803530* _ _ _ _ _	35x3	35 ± 0,15		–		–
804040_ _ _ _ _	40x4	40 + 0,15		40 + 0,12	3000	32
804240* _ _ _ _ _	42x4	42 ± 0,2		–	–	34
804840* _ _ _ _ _	48x4	48 ± 0,2		–	–	40
805040_ _ _ _ _	50x4	50 + 0,2		50 + 0,15	3000	42
806050_ _ _ _ _	60x5	60 + 0,25		60 + 0,20	3000	50
808050* _ _ _ _ _	80x5	80 ± 0,35	–	–	70	

Length:
every length is possible
standard lengths:**
0500, 1000, 2000,
3000 und 4000 mm

Version:
0 = mill finish St 37-2
1 = galvanized zinc-plated St 37-2 (outer surface only)
2 = stainless steel VA 1.4301


* Not available in stainless steel
** standard lengths only for galvanized zinc-plated



Steel / square

[mm]

Code No.	Type	D tol.	L max. zinc-plated
812010_ _ _ _ _	20x1	20 ± 0,2	5000
812515_ _ _ _ _	25x1,5	25 ± 0,25	
813020_ _ _ _ _	30x2	30 ± 0,25	
814030_ _ _ _ _	40x3	40 ± 0,3	
815030_ _ _ _ _	50x3	50 ± 0,3	
816040_ _ _ _ _	60x4	60 ± 0,35	
818050_ _ _ _ _	80x5	80 ± 0,5	


Length:
 every length is possible
standard lengths
 0500, 1000, 2000, 3000 und 4000 mm


Version:
 0 = mill finish St 37-2 (20x1 is not possible)
 1 = galvanized zinc-plated St 37-2 (outer surface only)

Stainless steel tubes / square

Standard tube has no tolerance limit

[mm]

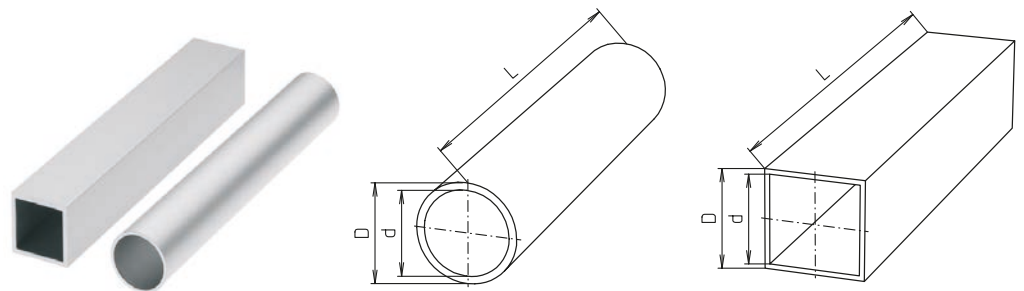
Code No.	Type	D tol.	L max.
8120102_ _ _ _ _	20x1,5	-	6000
8125152_ _ _ _ _	25x1,5	-	
8130202_ _ _ _ _	30x2	-	
8140302_ _ _ _ _	40x3	-	
8150302_ _ _ _ _	50x3	-	
8160402_ _ _ _ _	60x4	-	
8180502_ _ _ _ _	80x5	-	


Length:
 every length is possible

Accessories

Order instruction:

- Cut-to-length or standard lengths
- Black anodized on request



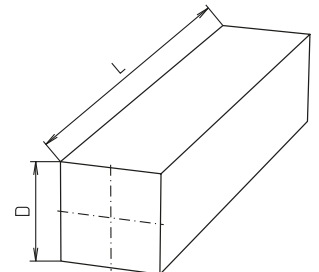
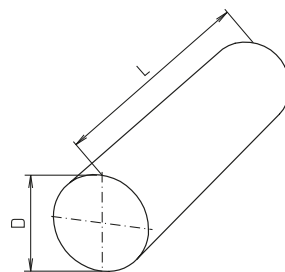
Aluminium tubes

[mm]

Code No.	Type	D tol.	d	L max.
round				
822030_ _ _ _ _	20x3	20 ± 0,1	14	6000
823020_ _ _ _ _	30x2	30 ± 0,1	26	
824030_ _ _ _ _	40x3	40 ± 0,15	34	
825030_ _ _ _ _	50x3	50 ± 0,2	44	
826030_ _ _ _ _	60x3	60 ± 0,2	54	
square				
832015_ _ _ _ _	20x1,5	20 ± 0,2	17	6000
833020_ _ _ _ _	30x2	30 ± 0,3	26	
834040_ _ _ _ _	40x4	40 ± 0,3	32	
835040_ _ _ _ _	50x4	50 ± 0,4	42	
836040_ _ _ _ _	60x4	60 ± 0,4	52	

Length:
 every length is possible


Version:
 1 = natural AlMgSi0,5
 2 = clear anodized AlMgSi0,5



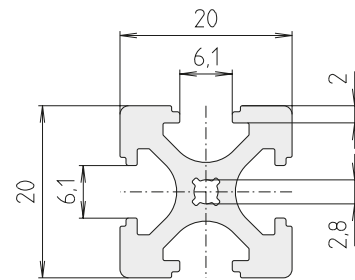
Aluminium bars

[mm]

Code No.	Type	D tol.	L max.
round			
820800_ _ _ _ _	8	8	6000
821000_ _ _ _ _	10	10	6000
square			
831000	10	10	6000


Length:
 every length is possible

Version:
 1 = natural AlMgSi0,5
 2 = clear anodized AlMgSi0,5



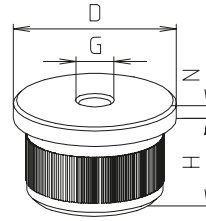
Aluminium profile F-20x20

[mm]

Code No.	Version		Anodized
E01000BBC	bar	max. 3000 mm	natural
E01000BBA_ _ _ _	cut		natural
E01000BCC	bar		black
E01000BCA_ _ _ _	cut		black



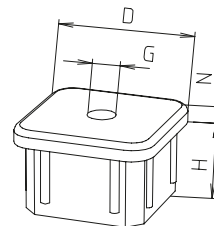
Length:
 Standard lengths (clear and black anodized)
 500, 1000 und 2000 mm
 On request every cut is possible



Round tube threaded stopper

[mm]

Code No.	Type	D	G	H	N
Aluminium					
90321	50x4	50	M10	25	6
90322			M16		
90323	60x5	60	M10	30	6
90324			M16		



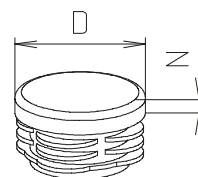
Square tube threaded stopper

[mm]

Code No.	Type	D	G	H	N
Aluminium					
90421	50x3	50x50	M10	25	6
90422			M16		
90427	60x4	60x60	M10	25	8
90425			M16		
90426			M20		

Order instruction:

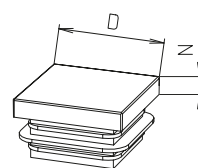
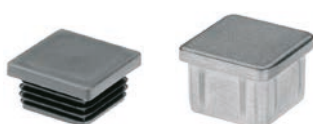
- Purchase only in lot sizes and a multiple of that, see product table below



Round tube stopper

[mm]

Code No.	Type	lot sizes	Ø D	N
Black polyethylene				
903011	18x1,5	10, 20, 30... pcs	18	5
903021	20x2	10, 20, 30... pcs	20	5
903031	25x2	10, 20, 30... pcs	25	5
903041	30x2	10, 20, 30... pcs	30	5
90305	32x3	10, 20, 30... pcs	32	5
90312	35x3	10, 20, 30... pcs	35	5
90306	40x3	10, 20, 30... pcs	40	5
90307	40x4	10, 20, 30... pcs		
90308	45x4	10, 20, 30... pcs	45	5
90309	48x4	10, 20, 30... pcs	48	
90310	50x3 / 50x4	10, 20, 30... pcs	50	5
90311	60x5	10, 20, 30... pcs	60	
Aluminium				
90331	50x4	-	50	6
90332	60x5		60	



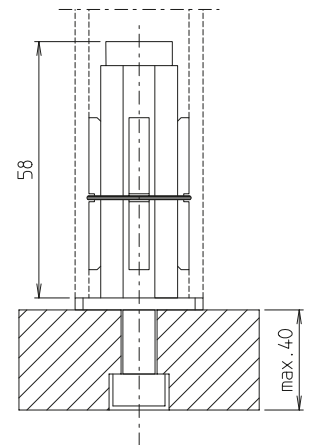
Square tube stopper

[mm]

Code No.	Type	lot sizes	□ D	N
Black polyethylene				
90400C	20x1	10, 20, 30... pcs	20x20	5
90401	25x1,5	10, 20, 30... pcs	25x25	5
90402	30x2	10, 20, 30... pcs	30x30	
90403	35x2,5	10, 20, 30... pcs	35x35	
90404	40x3	10, 20, 30... pcs	40x40	5
90408	40x4	10, 20, 30... pcs		
90405	50x3	10, 20, 30... pcs	50x50	5
90406	60x4	10, 20, 30... pcs	60x60	
90407	80x5	10, 20, 30... pcs	80x80	
Aluminium				
90411	50x3	-	50x50	6

- Order instruction
Steel parts galvanized zinc-plated

- Clamping element for \varnothing and \square tubes
- Clamping capacity for \varnothing 21–40,5 mm
- Clamping capacity for \square 16,5–32 mm



Special tube fittings

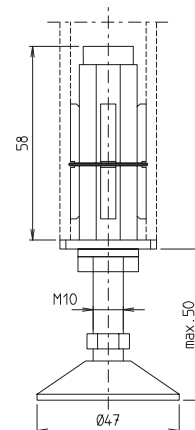
[mm]

Code No. ISO 4762	Code No. ISO 10642	\varnothing Type	\square Type
90701	90711	25x2	–
90702	90712	30x2	25x1,5
90702	90712	32x3	–
90702	90712	35x3	–
90705	90715	40x4	30x2
90705	90715	42x4	–
90707	90717	48x4	35x2,5
90708	90718	–	40x3

Accessories

Order instruction:

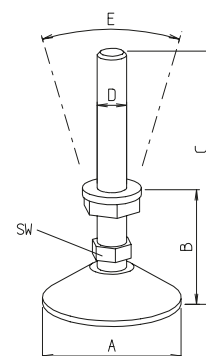
- Hinge parts PA, black
- Steel parts galvanized zinc-plated



Adjustable feet with special tube fittings

[mm]

Code No.	Ø Type	□ Type
90601	25x2	–
90602	30x2	25x1,5
90602	32x3	–
90602	35x3	–
90605	40x4	30x2
90605	42x4	–
90607	48x4	35x2,5
90608	–	40x3



Adjustable feet

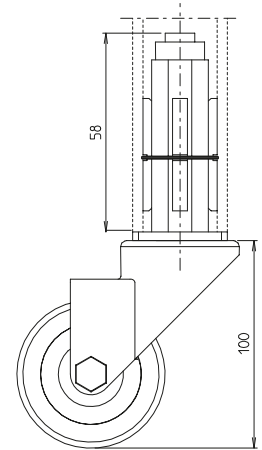
[mm]

Code No.	A	B	C	D	E	L	SW
90611	47	22	117	M10	30°	117	12
4606301	70	30	130	M16		130	22
4046301	60	39	185	M20	30°	185	16
4046311*	60	42	188			188	16
4046312*	123	70	216			216	16

* with anti-vibration pad



- Rubber wheel, width 25 mm
- Ball bearing
- polyamide rim
- blue-grey rubber tyre
- thread guard
- load capacity 600 N



Castors with special tube fittings and wheel brake

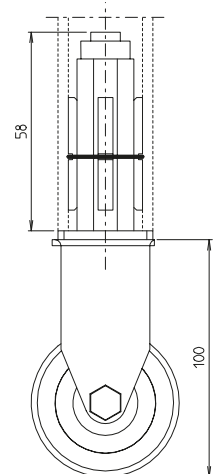
[mm]

Code No.	∅ Type	□ Type
90501	25x2	-
90502	30x2	25x1,5
90502	32x3	-
90502	35x3	-
90505	40x4	30x2
90505	42x4	-
90507	48x4	35x2,5
90508	-	40x3

Other versions up on request



- Rubber wheel, width 25 mm
- Ball bearing
- polyamide rim
- blue-grey rubber tyre
- thread guard
- load capacity 600 N



Fixed wheels with special tube fittings

[mm]

Code No.	∅ Type	□ Type
90802	30x2	25x1,5
90802	32x3	-
90802	35x3	-
90805	40x4	30x2
90805	42x4	-
90807	48x4	35x2,5
90808	-	40x



(Symbolic representation)

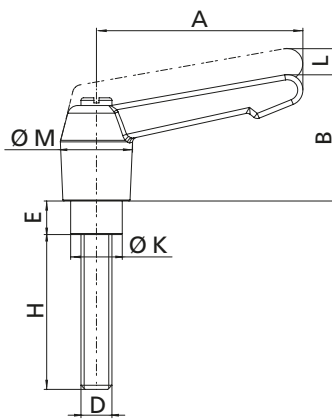
■ Instructions:

Regarding its dimensions and adjustability the lever is perfectly adapted to the RK clamp system.

The handle must be lifted high enough to disengage allowing "confined space" tightening or loosening as desired. It relocks by means of spring pressure.

■ Materials:

Handle made of zinc pressure casting according to DIN 1743, steel parts quality class 5.8, galvanized.



Clamping lever

[mm]

Code No.	Type	A	B	D	E	H	K	L	M	m [g]
9020101	HV 5x20	40	27	M5	5,5	20	7,5	3	14	32
90211	HV 6x10	40	27	M6	6,5	10	10	3	14	30
9024901	HV 6x20	40	27	M6	6,5	20	10	3	14	-
90210	HV 6x16	40	27	M6	6,5	16	10	3	14	-
90209	HV 6x18	40	27	M6	6,5	18	10	3	14	-
9021201	HV 6x25	40	27	M6	6,5	25	10	3	14	34
9024701	HV 6x30	40	27	M6	6,5	30	10	3	14	-
9021301	HV 6x35	40	27	M6	6,5	35	10	3	14	38
9021401	HV 6x40	40	27	M6	6,5	40	10	3	14	40
9021501	HV 6x45	40	27	M6	6,5	45	10	3	14	65
9021601	HV 6x55	65	36	M6	6,5	55	10	3	19	75
9021701	HV 6x60	65	36	M6	6,5	60	10	3	19	80
90221	HV 8x15	65	36	M8	8,5	15	13	3	19	68
9022201	HV 8x25	65	36	M8	8,5	25	13	3	19	72
9300201	HV 8x30	65	36	M8	8,5	30	13	3	19	75
9022401	HV 8x35	65	36	M8	8,5	35	13	3	19	80
9022501	HV 8x45	65	36	M8	8,5	45	13	3	19	86
9022601	HV 8x50	65	36	M8	8,5	50	13	3	19	91
9022701	HV 8x55	65	36	M8	8,5	55	13	3	19	100
9022801	HV 8x60	65	36	M8	8,5	60	13	3	19	100
9022901	HV 8x70	80	44,5	M8	8,5	70	13	4	22	120
9023001	HV 8x80	80	44,5	M8	8,5	80	13	4	22	130
9023101	HV 8x90	80	44,5	M8	8,5	90	13	4	22	140
9024101	HV 10x20	80	44,5	M10	10	20	16	4	22	125
90250	HV 10x30	80	44,5	M10	11	30	16	4	22	-
90251	HV 10x35	80	44,5	M10	11	35	16	4	22	-
9024201	HV 10x45	80	44,5	M10	10	45	16	4	22	140
9024301	HV 10x50	80	44,5	M10	10	50	16	4	22	145
9024401	HV 10x60	95	53	M10	10	60	16	4,5	27,5	200
9024501	HV 10x70	95	53	M10	10	70	16	4,5	27,5	
9024601	HV 10x110	95	53	M10	10	110	16	4,5	27,5	250
9025501	HV 12x40	95	53	M12	10	40	19	4,5	27,5	
9025301	HV 12x45	95	53	M12	13,5	45	18	4,5	27,5	-
9025601	HV 12x80	80	44,5	M12	10	80	16	4	22	
9027001	HV 16x72	110	60	M16	12	72	23	5	32,5	-

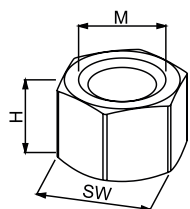
Upon request:

- Hand levers with plastic handles
- Hand levers with stainless steel threaded fitting

Order instruction:

- Purchase only in lot sizes and a multiple of that, see product table below

- Steel thread insert (exchange pcs)

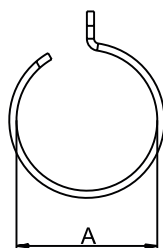

Insert nut

Code No.	Materials	Type	lot sizes	H	M	SW
90732	steel	M6SW8	10, 20, 30... pcs	5	6	8
90733	stainless steel	M6SW8	10, 20, 30... pcs			
90734	steel	M6SW10	10, 20, 30... pcs	9	6	10
90736	steel	M8SW11H12	10, 20, 30... pcs	12	8	11
90738	steel	M8SW11H7	10, 20, 30... pcs	7	8	11
90739	stainless steel	M8SW11H7	10, 20, 30... pcs			
90740	steel	M10SW14	10, 20, 30... pcs	10	10	14
90741	stainless steel	M10SW14	10, 20, 30... pcs			

[mm]



- simple assembly
- axial and rotation locking
- retrofit at existing systems and structures possible


Adapter sleeve R28

Code No.	Type	lot sizes	Ø A
913131	Typ 1	5, 10, 15... pcs	28,4 - 28,8
913141	Typ 2	5, 10, 15... pcs	28,0 - 28,3
913151	Typ 3	5, 10, 15... pcs	27,5 - 27,9

[mm]

Following Solid Clamps / Industrial-Design can be combined with adapter sleeves.

Solid Clamps	Type
Cross clamps	K 30, 30x25, 30x20, KD 30x18, 30x16, 30x15, 30x14, 30x12, KR 30, KVR 30
Angle clamps	W30, WE 30
Base clamps	FS 30
Flange clamps	FK 30, 30-4
Sleeve clamps	M 30, MD 30x25
Insert clamps	S 30



Platform with staircase on a web offset machine.

The ITAS-system is suitable for many outdoor and indoor applications from the simplest railings to complicated stairs and working platforms.

The easy "socket connection principle" of the internal tension system reduces construction and assembly work to a minimum.

A positive connection is created by tightening the special clamping screws. The smooth contour transitions are pleasant to the touch and ensure enhanced safety.



Industrial stairs and working platforms

General information/
Operation conditions..... from page 236

Internal tension system..... from page 238

Quick change system..... from page 248

Accessories from page 254

ITAS

ITAS – Industrial stairs and working platforms

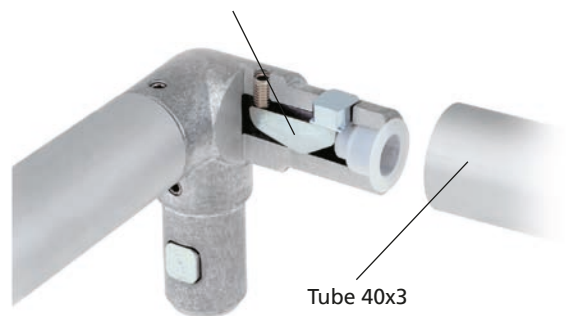
...no drilling or welding, no mitre cut – just assemble.



Internal tension system

Principle: The clamping rocker is tilted by screwing in the set screw. The other side of the clamping rocker pushes the pressure piece against the inner side of the tube. Without the need for any mechanical machining, the tube construction is positively and quickly connected by simply tightening a screw.

Clamping set including clamping screw, clamping rocker, thrust pad and screw cap



Quick change system

Working and machining areas which in the past required additional guards can now be made accessible with just a few flicks of the wrist and without the need for any tools thanks to the ITAS quick change system. This makes the complicated removal of entire rail segments a thing of the past.



Features:

- Connect tubes without annoying transitions
- No mechanical treatment required – just cut the material to length and assemble
- Flexible – elements can be dismantled at any time
- Simple and stable system
- Plan and assemble – it's as simple as that!

Options:

- Other surface colours are available on request



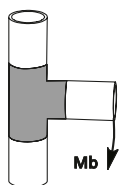
ITAS – table of contents

<p>Properties/performance data</p>	<ul style="list-style-type: none"> ■ Technical data p. 236 ■ Loads / System description p. 236 ■ Building regulations p. 237
<p>Versions (Dimensions, code numbers)</p>	<ul style="list-style-type: none"> ■ Internal tension system p. 238 ■ Quick change system p. 248 ■ Fax request form p. 263
<p>Accessories</p>	<ul style="list-style-type: none"> ■ Aluminium tube p. 255 ■ Surface element support p. 255 ■ Stair railing support TGHF p. 256 ■ Stair cross beam profile p. 257 ■ Step profile p. 258 ■ Side plate p. 259 ■ Stair joint p. 260 ■ Stair corner joint p. 261 ■ Tools/spare parts..... p. 261

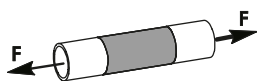
Basic information / mechanical properties

- ITAS die-cast elements
clamping mechanism inside
from steel (zinc plated)

Loads

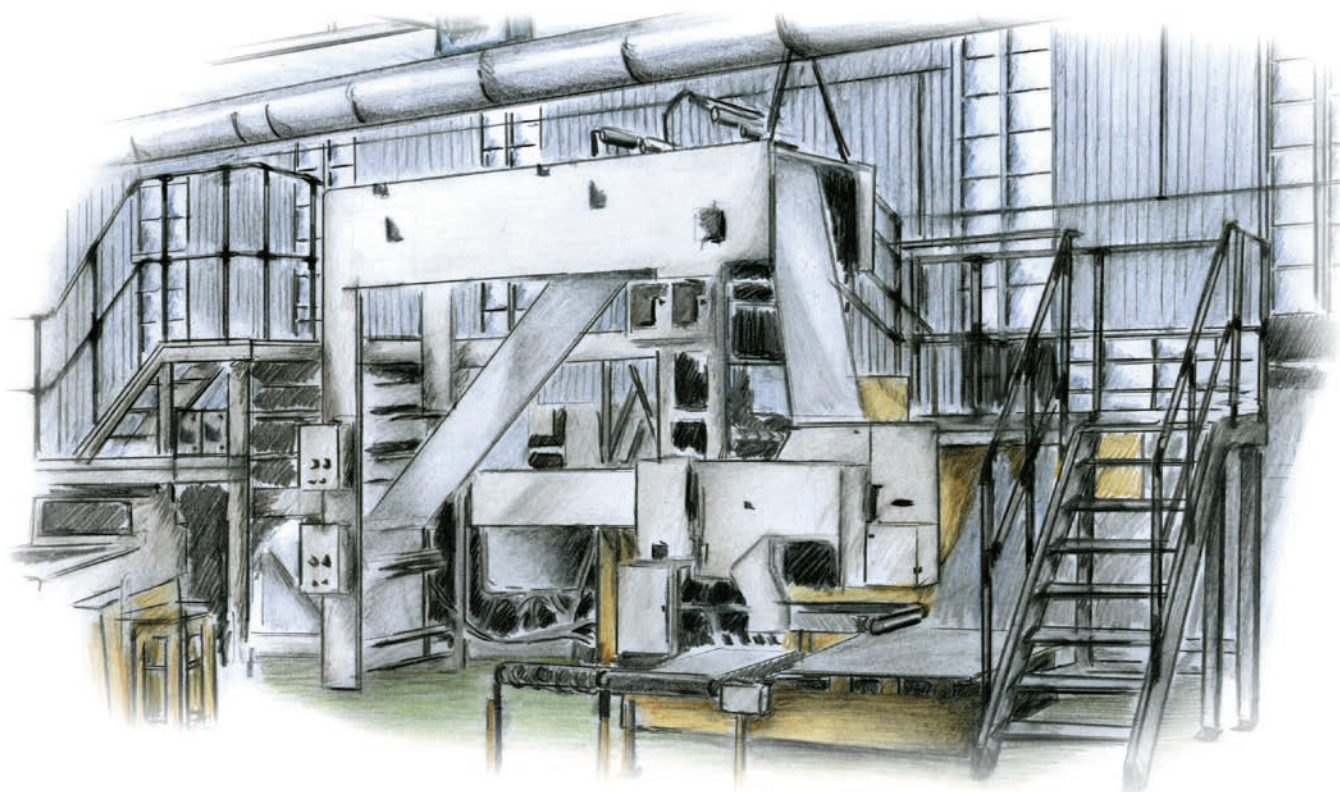


Bending moment Mb [Nm]



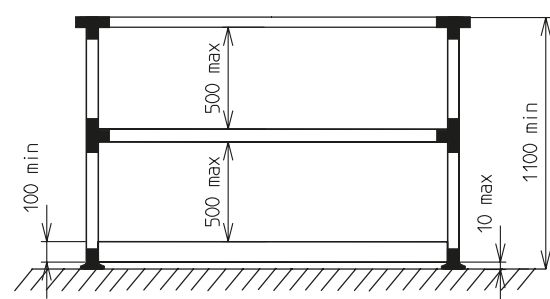
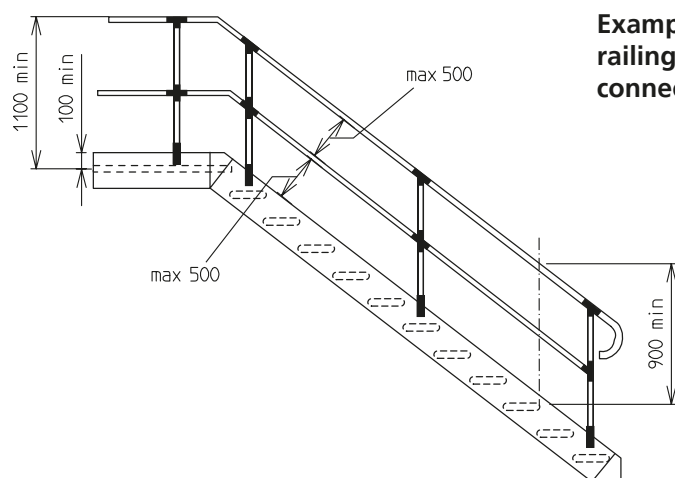
Adh. force: static pull,
dynamic pull+pressure

Size Type	Including static safety factor $v = 2,5$		Including dynamic safety factor $v = 1,5$	
	F [N]	Mb [Nm]	F [N]	Mb [Nm]
FI 40	1250	340	1200	160
MI40	1250	340	1200	160
WI40	1250	200	1200	160
WIT40	1250	200	1200	160
WIE40	1250	200	1200	160
WITE40	1250	200	1200	160

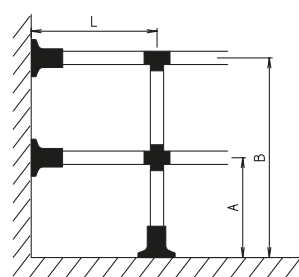
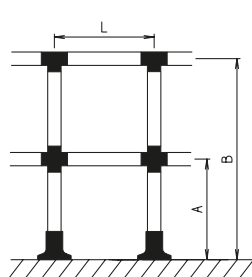


ITAS – Load data

- **Load data according to DIN EN 1991-1-1:2010-12**
- Maximum permitted load of steps (for a length of 1,2 m) 1500 N
- Maximum permitted load of stairs cross beams (for a 45° angle and a length of 4 m without support) 3500 N
- Maximum permitted load of railing (distance between pillars 0,7 m) 500 Nm
- The maximum permitted load of the platform depends on the base construction. It cannot exceed the maximum permitted load of the base clamps used.
- **Technical safety requirements in accordance with DIN EN ISO 14122 part 1-4**


Example for a horizontal railing

Example for a stair railing - catwalk connector

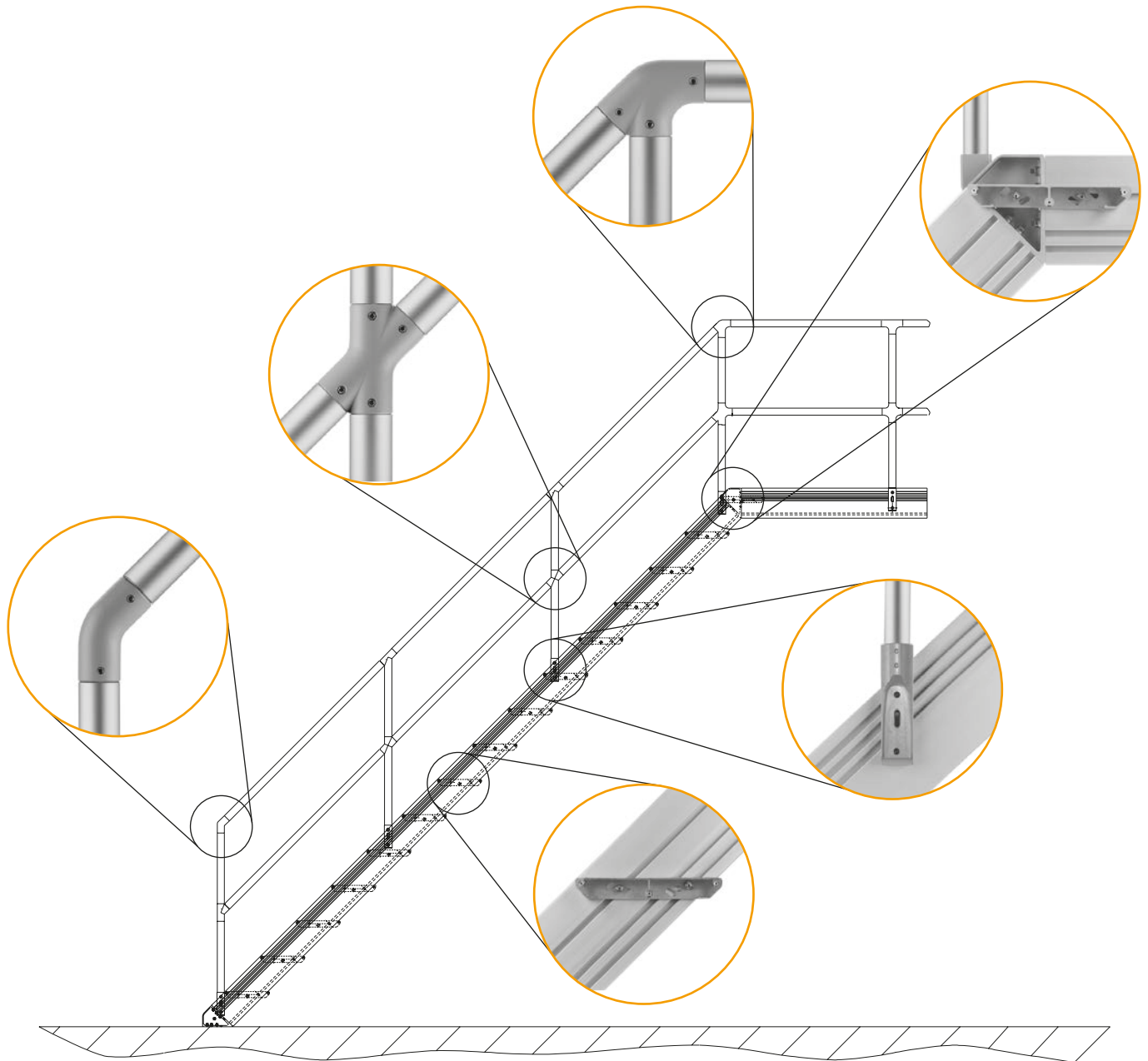
- The railing must have at least one knee rail
- Do not exceed a free space between the handrail and knee rail and foot rail of 500 mm
- Fit a foot rail with a minimum height of 100 mm maximum 10 mm above the step level
- A staircase must have at least one handrail
- With a flight width equal to or exceeding 1200 mm two handrails must be provided in the same manner as with all ladder stairs.

Building regulations for railings according to UVV, VBG1 and conforming to DIN EN ISO 14122-3.

Example 1:
wall and floor fixing

Example 2: self-sup-
porting with floor fixing

Example	Dimension max.		
	A	B	L
1	500	1000	1500*
2	500	1000	1500*

* The support spacing "L" must ensure that 340 Nm for base type FI40 is not exceeded.

ITAS – Internal tension system



Features:

- Technically optimised solution for the installation of railings, frame structures, boundaries, superstructures, stairs and working platforms of all kinds.
- The smooth transitions between all of the elements used and the connecting tube are kind on the hands
- Positive, quick connection with the simple tightening of a screw – without the need for any mechanical machining



MI 40



KI 40



KI 40H-45°



WIY 40-45°



WI 40



WI 40-45°
30°, 38°, 52°, 60°



WIT 40H-45°R



FIW 40



WIT 40



WIT 40-45°



WIT 40H-45°L



FI 40



WIE 40



WIT 40H-45°



WIV 40H-45°



TSI



WITE 40



KI 40-45°



WIV 40-45°



TSI 40-WI



TGHF

ITAS – Internal tension system

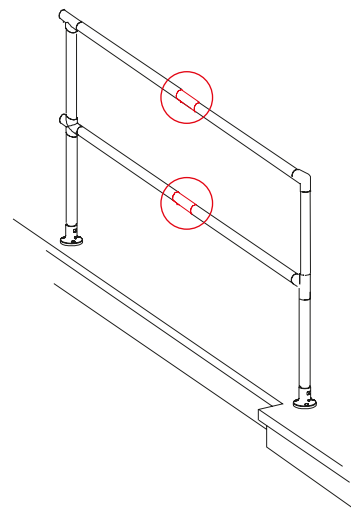
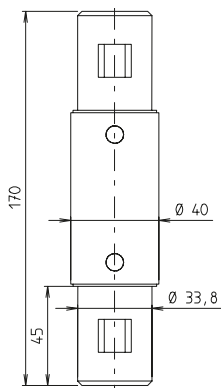
On request:

- ITAS elements in various RAL colours



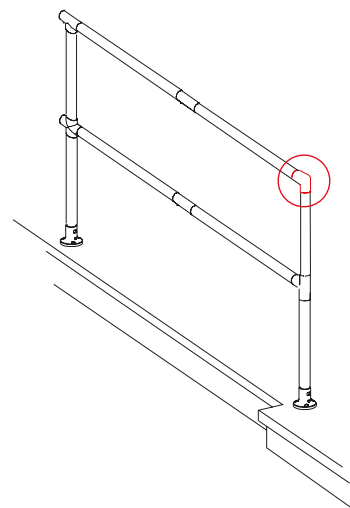
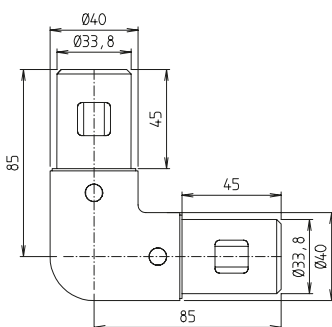
Coupler MI 40

Code No.	Type	m [g]
14403410025	MI 40	453



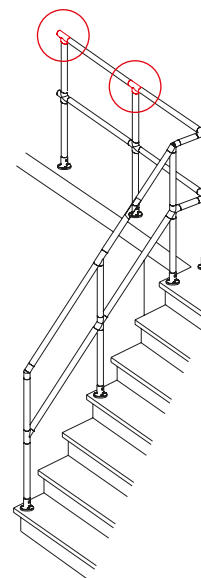
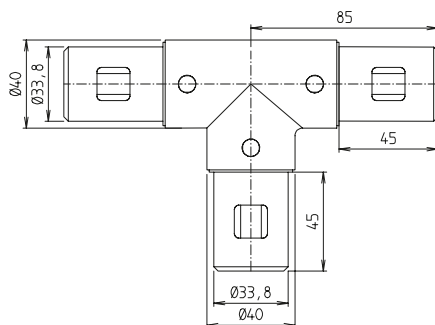
Elbow 90° WI 40

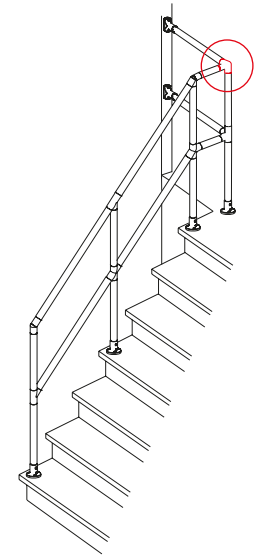
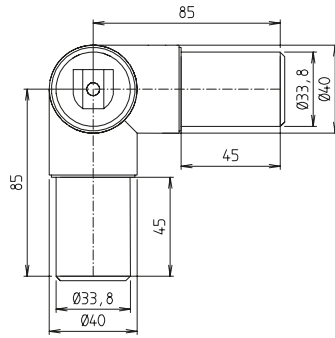
Code No.	Type	m [g]
11403421025	WI 40	455



**T-joint
90° WIT 40**

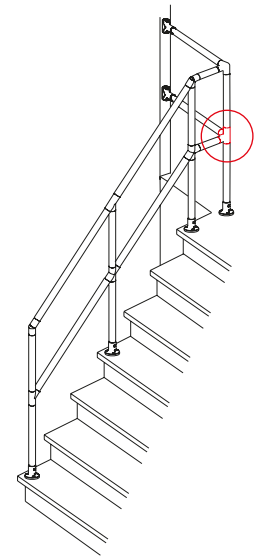
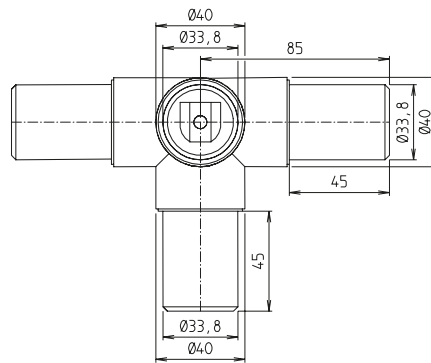
Code No.	Type	m [g]
11403423025	WIT 40	625





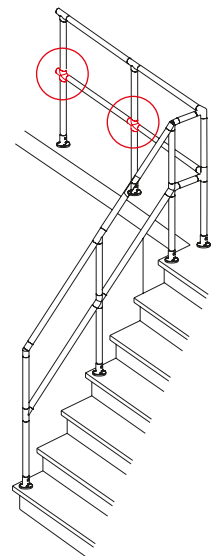
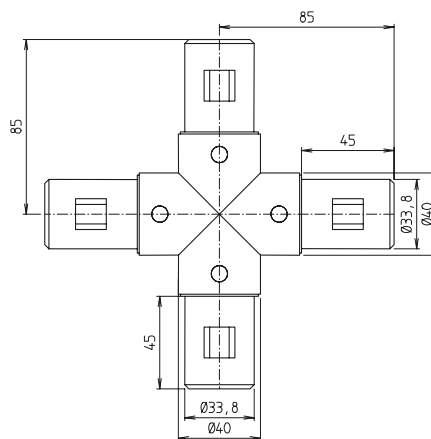
Corner joint WIE 40

Code No.	Type	m [g]
11403422025	WIE 40	624



Corner T-joint WITE 40

Code No.	Type	m [g]
11403424025	WITE 40	786



Cross KI 40

Code No.	Type	m [g]
10403410025	KI 40	795

ITAS – Internal tension system

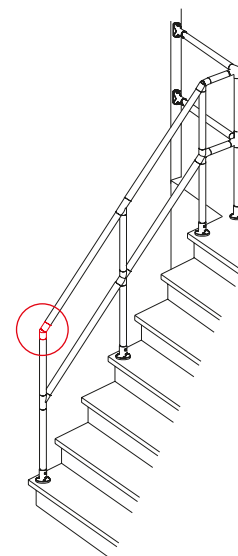
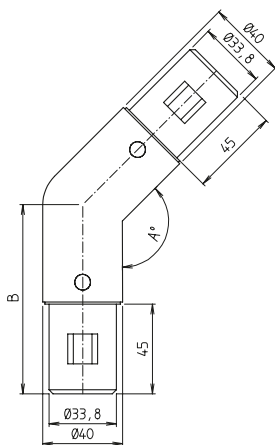
On request:

- ITAS elements in various RAL colours



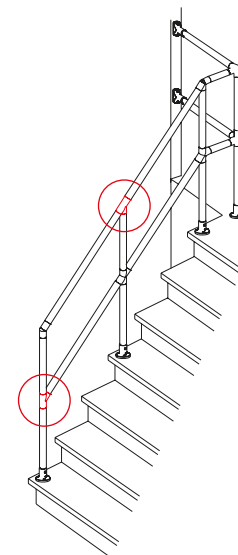
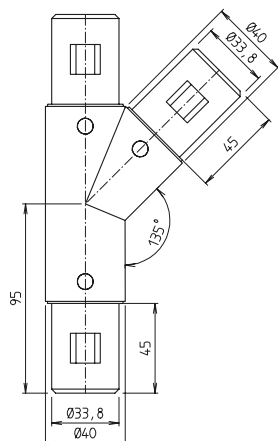
Elbow WI 40

Code No.	Type	A	B [mm]	m [g]
11404521025	WI 40-45°	135°	95	520
11405021025	WI 40-30°	150°	85	456
11404221025	WI 40-38°	142°	85	456
11402821025	WI 40-52°	128°	85	455
11402021025	WI 40-60°	120°	85	455



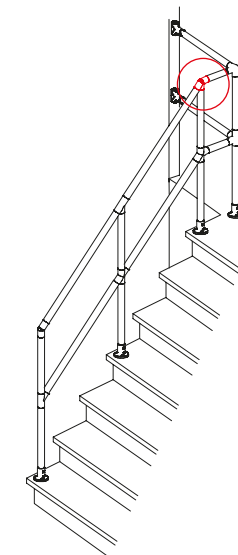
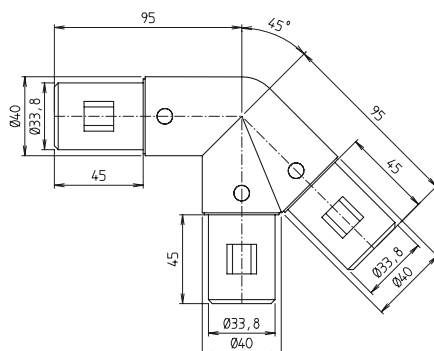
T-joint 45° WIT 40-45°

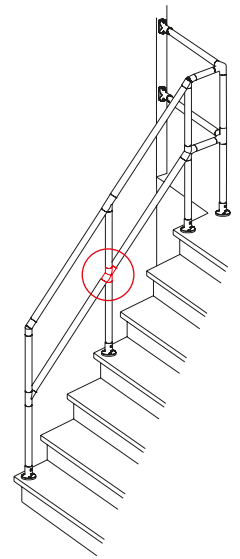
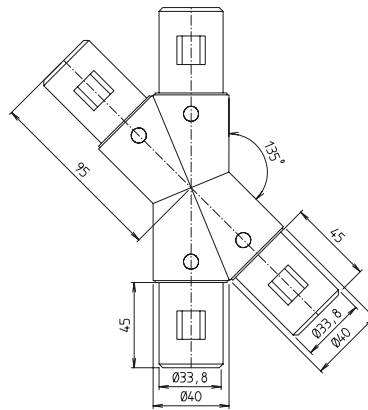
Code No.	Type	m [g]
11404523025	WIT 40-45°	715



T-joint horizontal 45° WIT 40H-45°

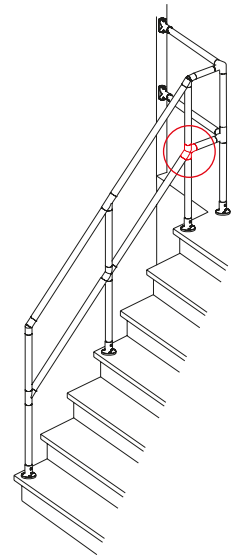
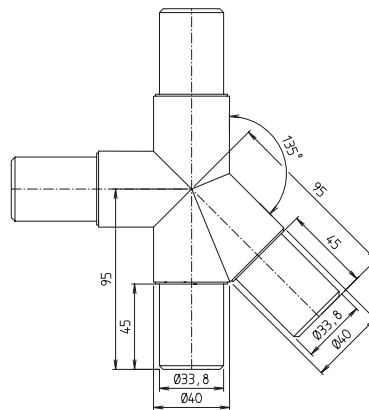
Code No.	Type	m [g]
11404525025	WIT 40 H-45°	715





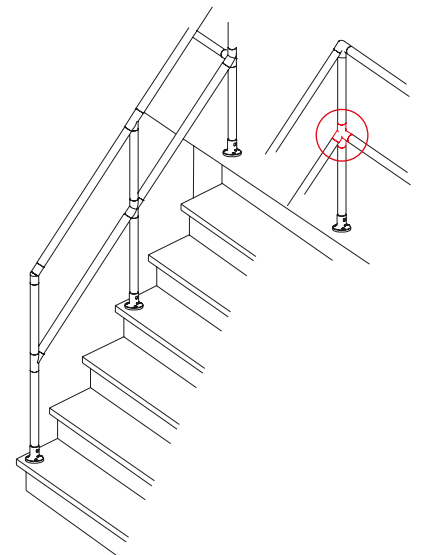
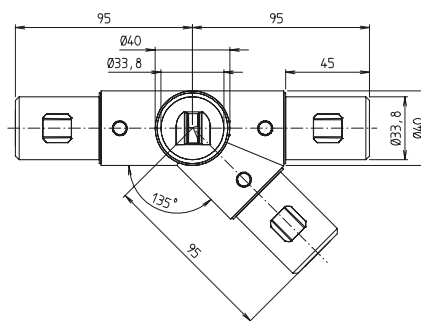
Cross KI 40-45°

Code No.	Type	m [g]
10404510025	KI 40-45°	901



Cross horizontal KI 40H-45°

Code No.	Type	m [g]
10404521025	KI 40 H-45°	940



WIT 40H-45°R

Code No.	Type	m [g]
11404528025	WIT 40H-45°R	908

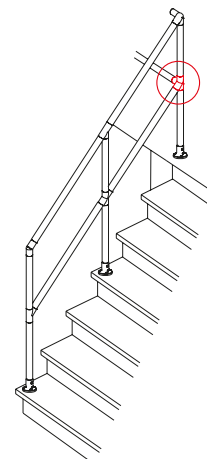
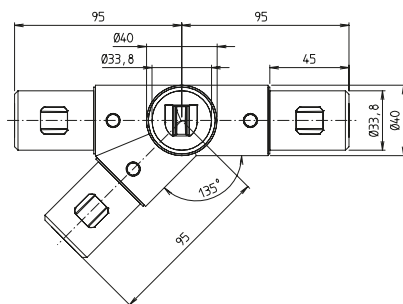
ITAS – Internal tension system

On request:

- ITAS elements in various RAL colours



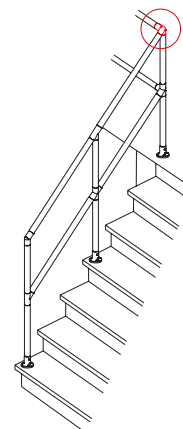
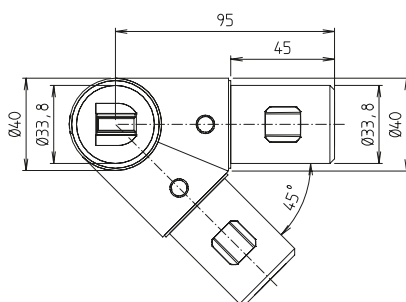
WIT 40H-45°L



Code No.	Type	m [g]
11404529025	WIT 40H-45°L	903



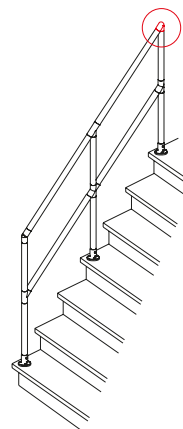
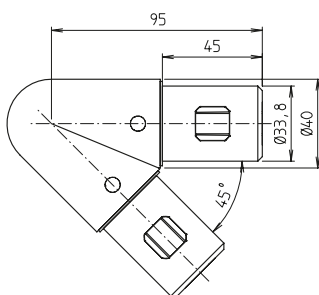
WIV 40H-45°



Code No.	Type	m [g]
11404527025	WIV 40H-45°	693



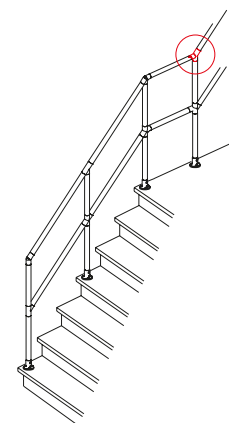
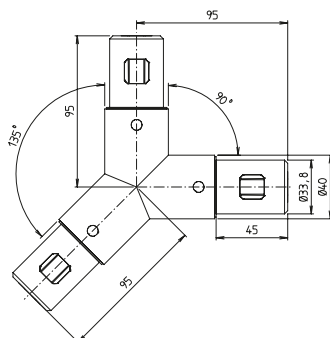
WIV 40-45°



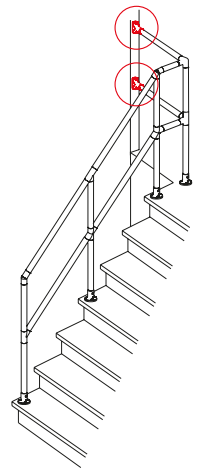
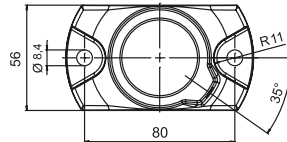
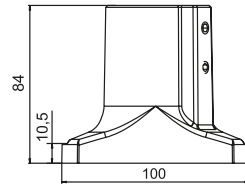
Code No.	Type	m [g]
11404526025	WIV 40-45°	486



WIY 40-45°

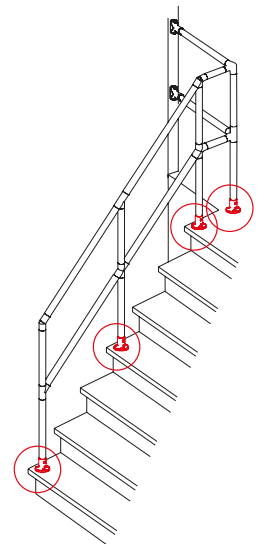
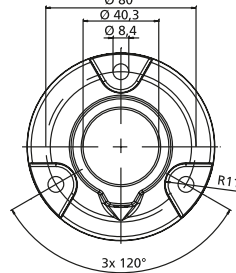
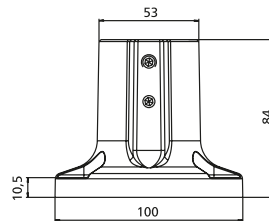


Code No.	Type	m [g]
11404530025	WIY 40-45°	733



FIW 40 (Wall flange)

Code No.	Type	m [g]
13403430025	FIW 40	428

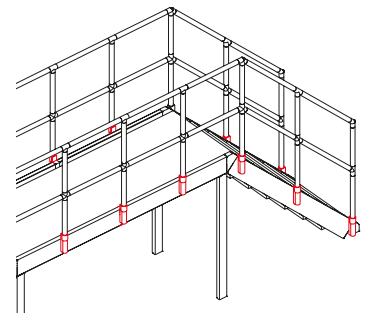
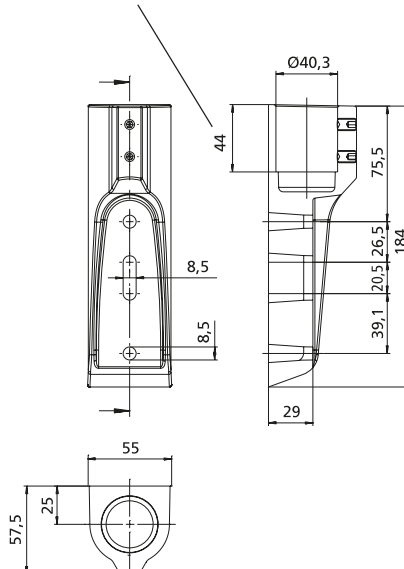


Base FI 40

Code No.	Type	m [g]
13403431025	FI 40	487

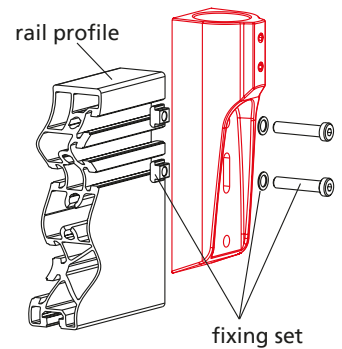


Insert depth



Stair railing support TGHF

Code No.	Type
13403429025	TGHF 40
93800	fitting TGHF cross beam profile

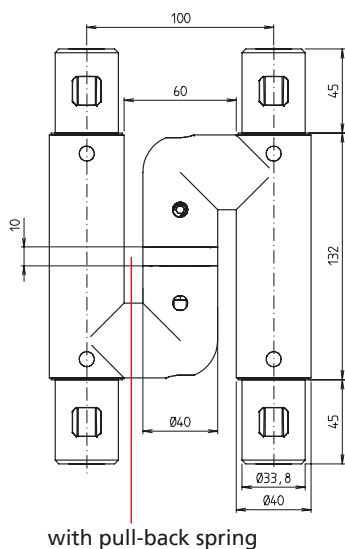


fixing set

ITAS – Internal tension system

On request:

- ITAS elements in various RAL colours



with pull-back spring

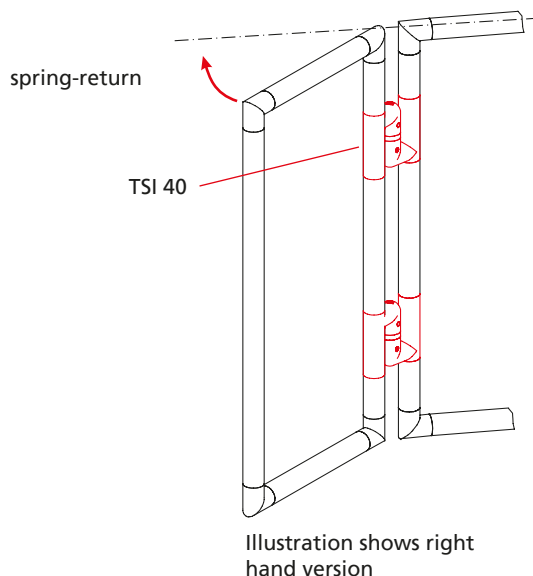
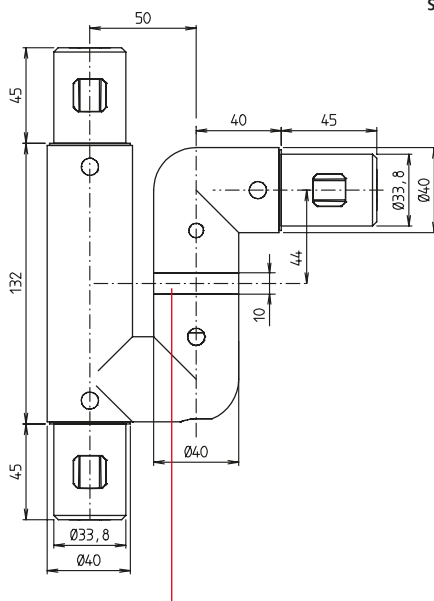


Illustration shows right hand version

TSI 40

Code No.	Type	Version	m [g]
18403426025	TSI 40	Right-hand	1872
18403427025	TSI 40	Left-hand	1849

Attention:
please read the instruction manual



with pull-back spring

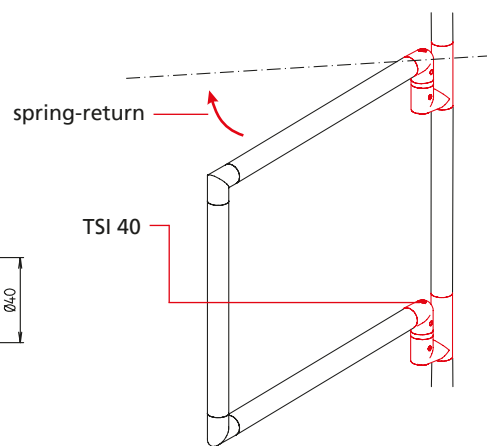


Illustration shows right hand version

TSI 40-WI

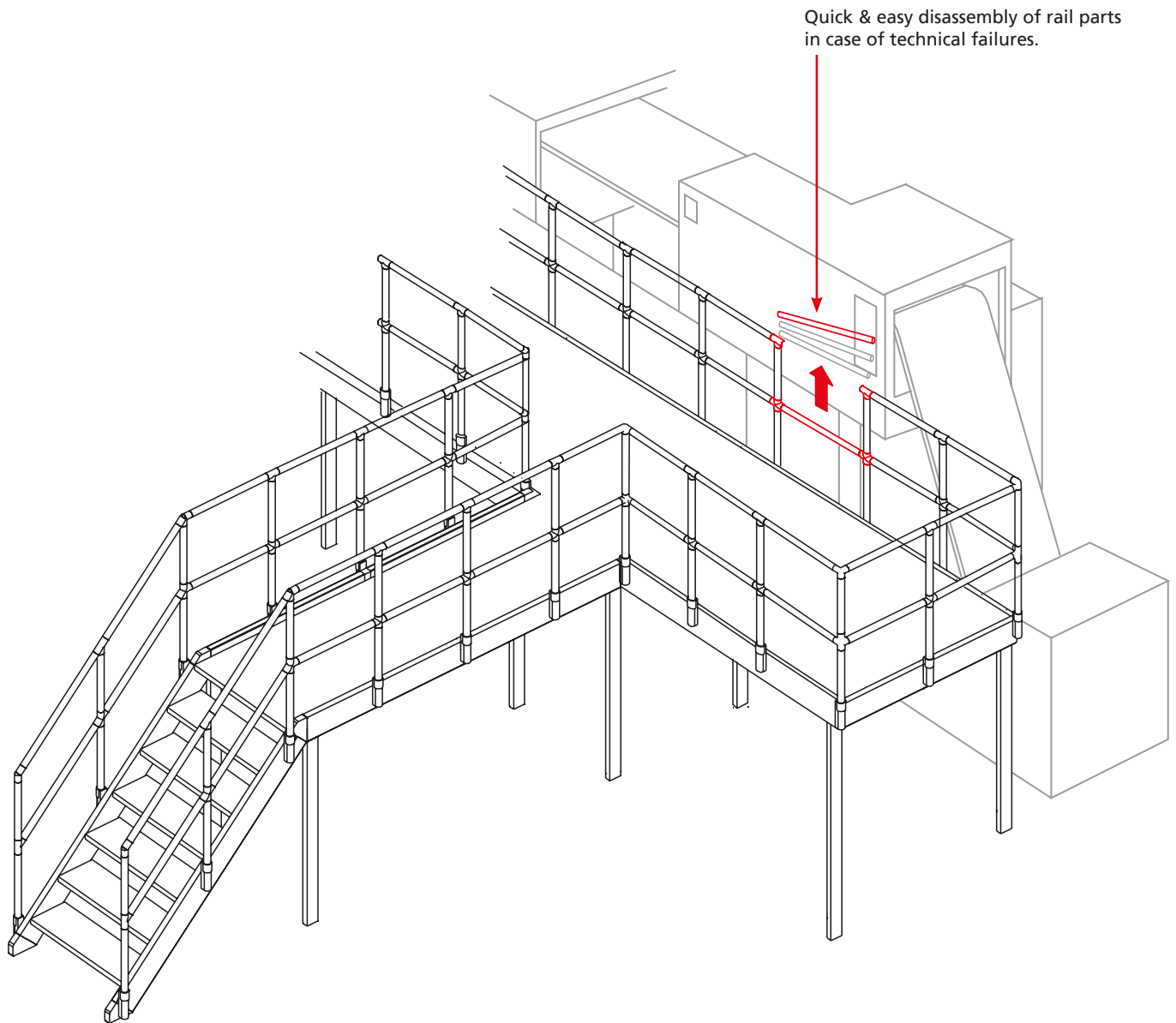
Code No.	Type	Version	m [g]
18403428025	TSI 40-WI	Right-hand	1353
18403429025	TSI 40-WI	Left-hand	1389

Attention:
please read the instruction manual



Crossovers made from ITAS elements provide access to various production areas.

ITAS – Quick change system



Features:

- This system combines the proven flexibility of the internal tension system and an easy assembly and dismantling system which cannot be compared to that of common railing systems.
- It enables protected working and machine areas to be more accessible.
- The new ITAS Quick change system permits an easy access to specific machine parts in case of technical malfunctioning: all you need is to remove the necessary part of the balustrade.



WI 40-SW1



KI 40H-45°SW1



KI 40-SW2



WIT 40-SW1



WIT 40-SW2



WIT 40H-45°SW1



WIE 40-SW2



WITE 40-SW2

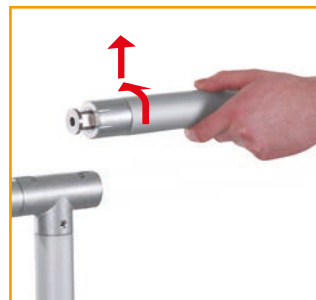
Dismantling of quick change system



Release stopper with a screwdriver



Loosen clamping screw



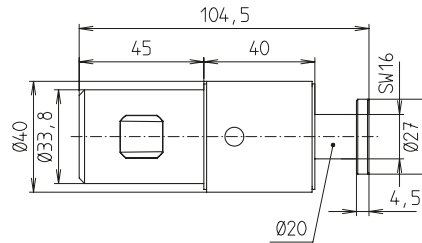
Turn the cross strut to 90° and then raise and release



ITAS – Quick change system

On request:

- ITAS elements in various RAL colours

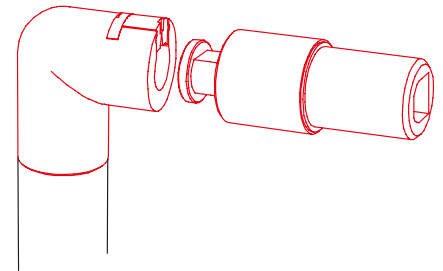
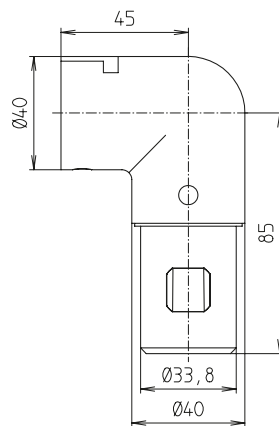


Attention:

The clamping element MI-H 40-SW is included in the delivery set of the following quick change elements. This element does not need to be ordered separately

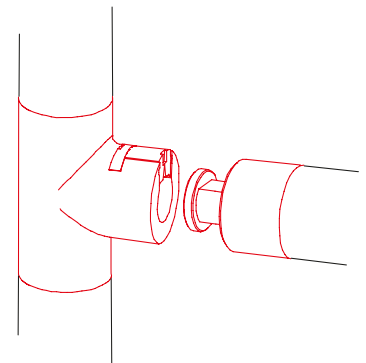
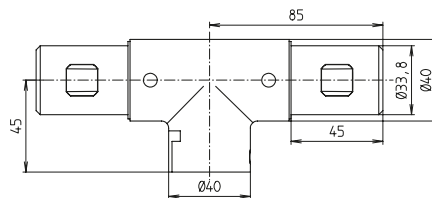
MI-H 40-SW

Code No.	Type	m [g]
14403411025	MI-H 40-SW	307



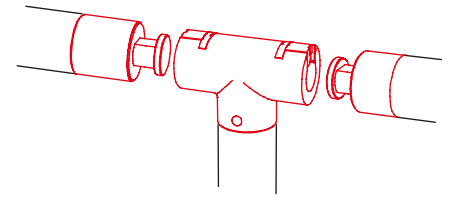
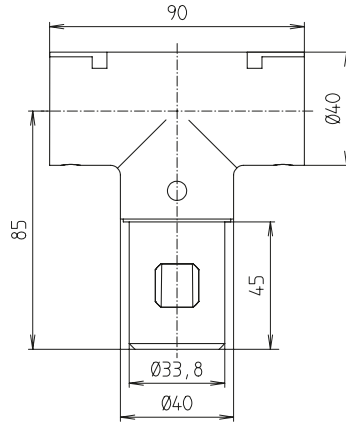
WI 40-SW1

Code No.	Type	m [g]
11403425025	WI 40-SW1	643



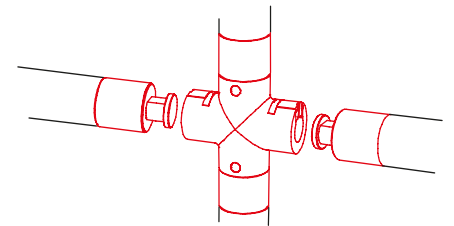
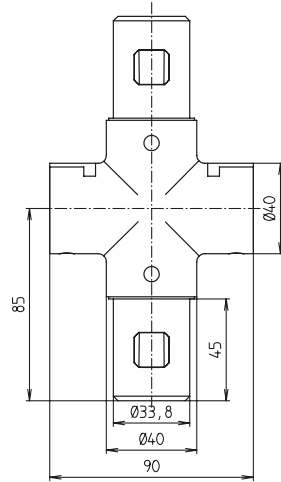
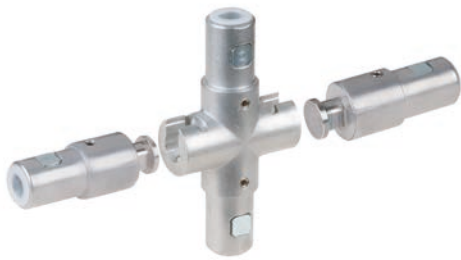
WIT 40-SW1

Code No.	Type	m [g]
11403428025	WIT 40-SW1	828



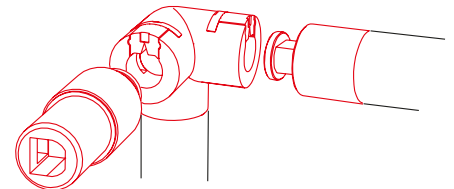
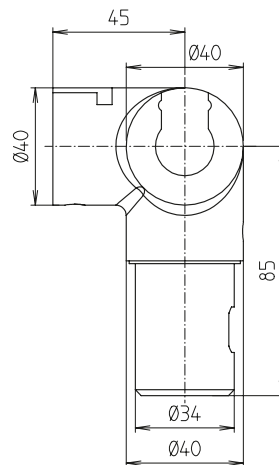
WIT 40-SW2

Code No.	Type	m [g]
11403426025	WIT 40-SW2	1020



KI 40-SW2

Code No.	Type	m [g]
10403411025	KI 40-SW2	1221



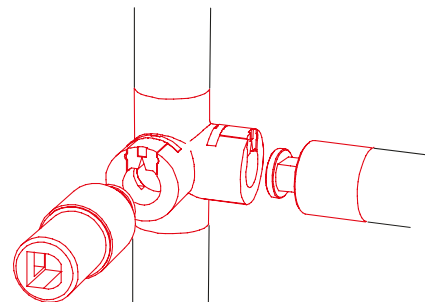
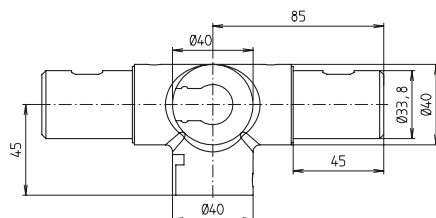
WIE 40-SW2

Code No.	Type	m [g]
11403427025	WIE 40-SW2	1034

ITAS – Quick change system

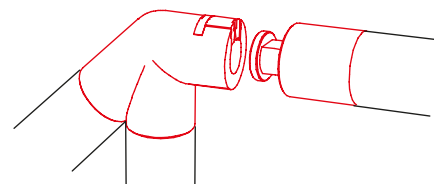
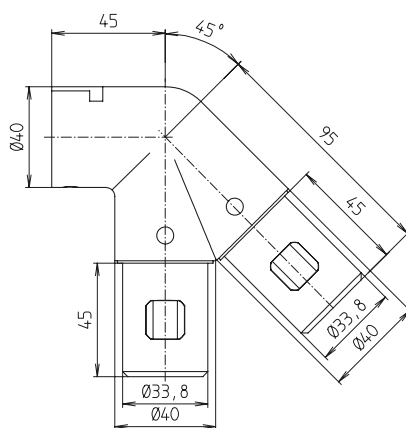
On request:

- ITAS elements in various RAL colours



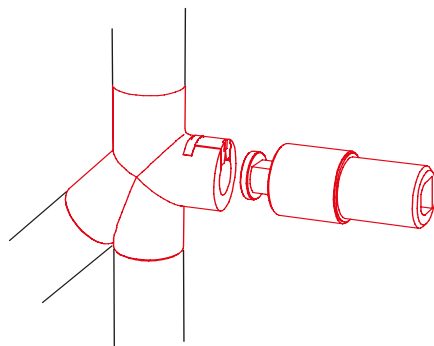
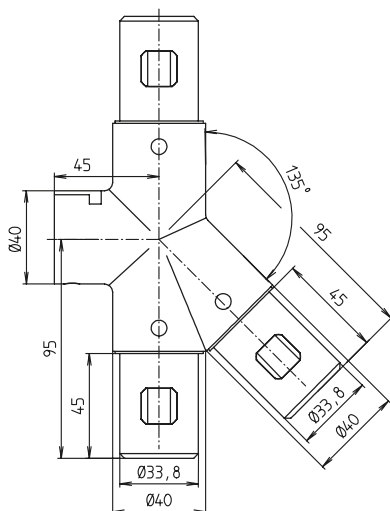
WITE 40-SW2

Code No.	Type	m [g]
11403429025	WITE 40-SW2	1209



WIT 40H-45°SW1

Code No.	Type	m [g]
11404524025	WIT 40H-45°SW1	902



KI 40H-45°SW1

Code No.	Type	m [g]
10404511025	KI 40H-45°SW1	1068



The mobile ITAS ladder makes accessing various storage shelves easier.





Aluminium tube
Ø 40x3



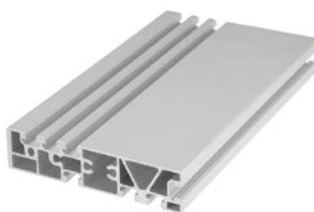
Angle plate
TGHF



Side plate



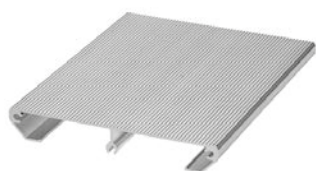
Surface element support
FEH-I 40



Stair cross beam
profile



Stair joint



Step profile



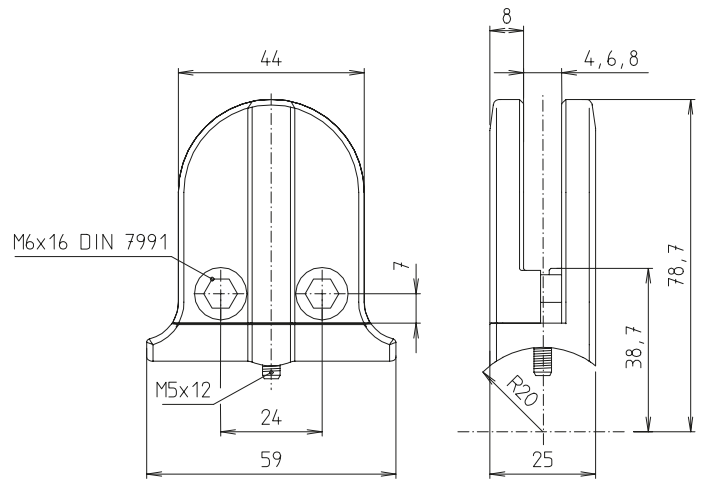
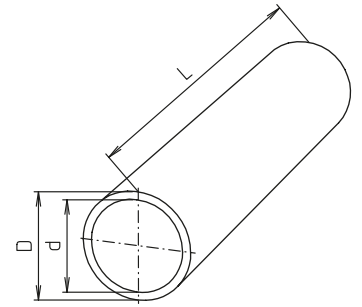
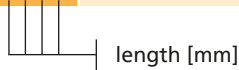
Stair corner joint



Material:
 AlMgSi 0,5 F22 / EN AW 6060
 Resistance moment $W = 3 \text{ cm}^3$
 Moment of inertia $I = 6 \text{ cm}^4$

Aluminium tube

Code No.	Type	Version
8240302	40x3	clear anodized
8240303	40x3	black anodized



Features:

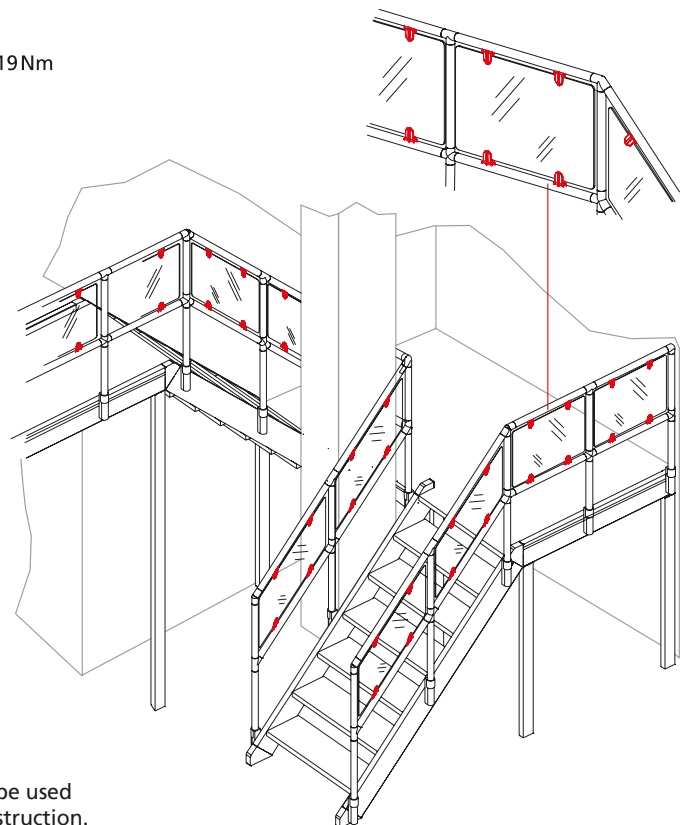
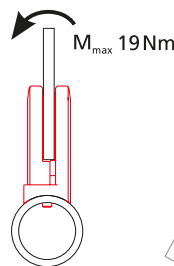
- The surface element support enables the clamping of panels of 4, 6 or 8 mm thickness.
- The support can be used with a Ø40 tube (min. wall thickness 3 mm)
- Only a 4.5 mm hole has to be bored into the tube where the support is then fixed with a thread former screw.

Material: PA-GF, black
 Fixation set galvanized

FEH-I 40 (Surface element support)

Code No.	Type
91803	FEH-I 40

Attention:
 the support can only be used in a closed frame construction.

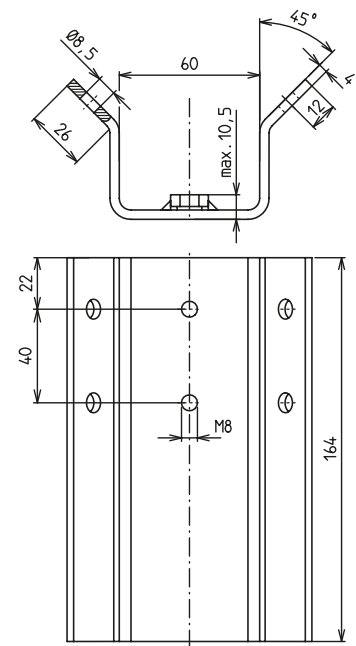
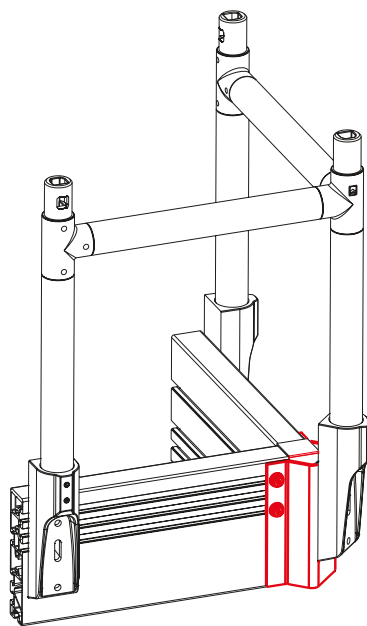


ITAS – Accessories

On request:

- ITAS elements in various RAL colours

- The angle plate is fixed to the corner of the stair cross beam at 90° degrees.



Angle plate for TGHF

Code No.	Type
96701	Angle plate



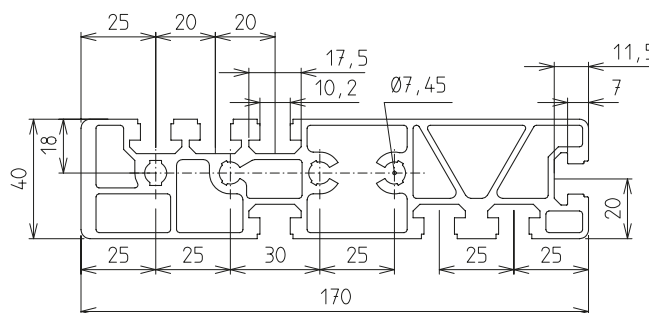
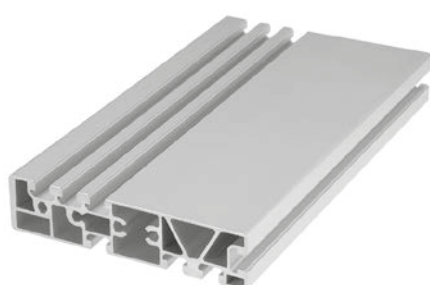
Features:

- The 'T'-slot channels of the extruded aluminium profile enable fitting of the fixing components for the step profile (see p. 258).
- The geometry of the 'T'-slot channels is designed to comply with the BLOCAN® Profile Assembly System which is designed and manufactured by RK Rose+Krieger.
- Threaded holes ensure that the stair joints (see p. 260) can be fixed with set screws quality 8.8
- Realisation of 38, 45 and 60 degree leadangles without mitre cuts of the beam profile by using special designed stair joints. Saws with a smaller disc dia can therefore be used.
- The geometry conforms with the UVV rules so that commercially available surface elements / grids can be used for the platform surfaces
- The protective railing and the continuous rim of the stair cross beam profile provide protection against slipping.



Material: AlMgSi 0,5 F25, clear anodized

$I_x = 37 \text{ cm}^4$
 $I_y = 606 \text{ cm}^4$
 $W_x = 18 \text{ cm}^3$
 $W_y = 69 \text{ cm}^3$



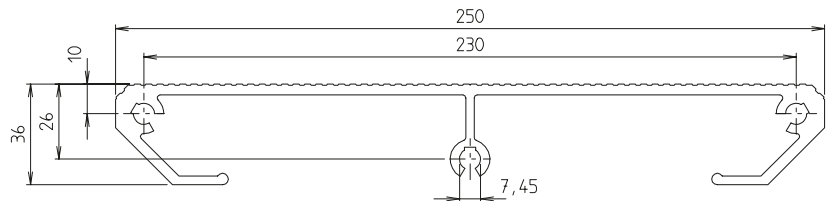
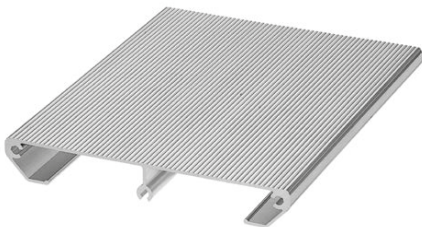
Stair cross beam profile

Code No.	Type	Version	m [g]
4505000	Stair cross beam profile	Cut max. 6000 mm	5957 / m
4505001	Stair cross beam profile	Bar at 6000 mm	5957 / m



Material: AlMgSi 0,5 F22,
natural

$I_x = 16 \text{ cm}^4$
 $I_y = 1003 \text{ cm}^4$
 $W_x = 7 \text{ cm}^3$
 $W_y = 80 \text{ cm}^3$

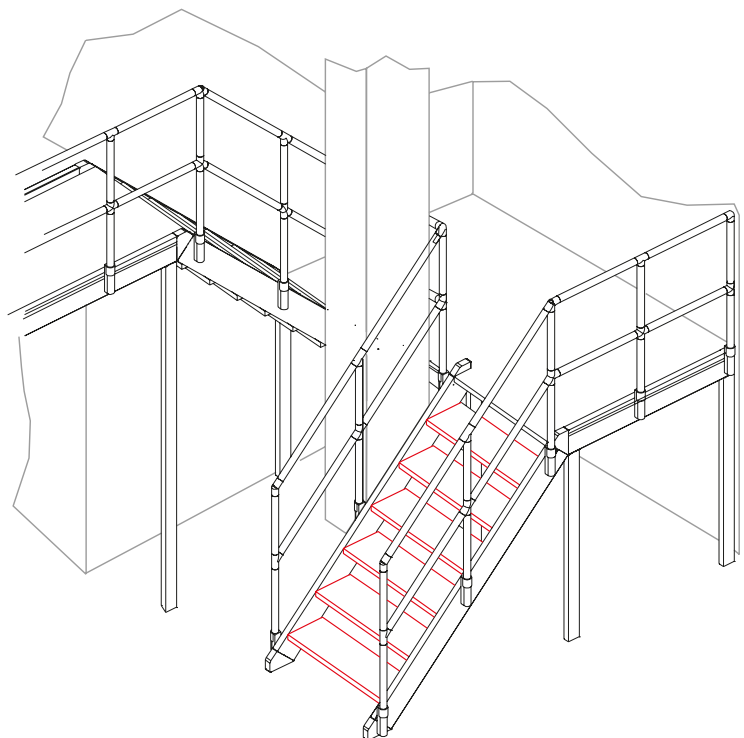


Step profile

Code No.	Type	Version	m [g]
4525000	Step profile	Cut max. 6000 mm	3621 / m
4525001	Step profile	Bar at 6000 mm	3621 / m

Features:

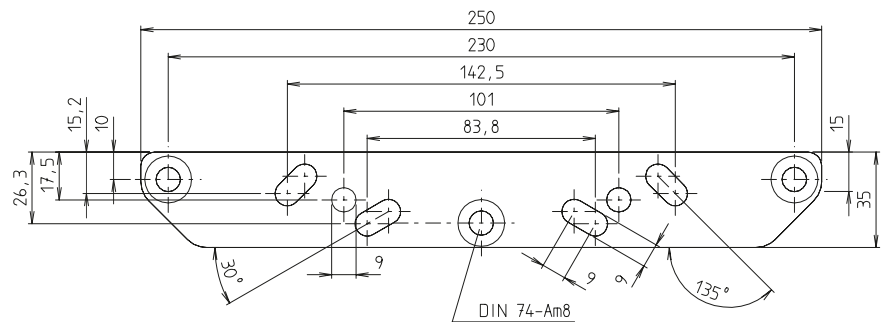
- An endless step profile made of extruded aluminium which is cut to the step width desired.
- All stairs with a gradient angle of between 30 and 40 degrees are in accordance with standard DIN EN ISO 144122-:2016-10. This includes treads, height, overlap and width. They are also compliant with UVV (workers safety regulations and accident prevention rules).
- Threaded channels have been prepared to ensure that side plates can be fixed with standard M8 screws (see p. 251).
- This step profile can, of course, also be used as a platform element.




Features:

- The code n° contains a complete fixing set for the fitting of the side plate to the step profile (see p. 250).
- The arrangement of the holes and slots enables alignment of the step when it is fitted to the stair cross beam profile. The side plate serves as an end piece to the step width chosen by the customer.

Material: AlMgSi 0,5 F22, natural

 Thickness $t = 5$ mm

Site plate

Code No.	Type	m [g]
93700	Side plate	164

ITAS – Accessories

Features:

- This joint permits the construction of 38°, 45° and 60° angles.
- The arrangement of holes guarantees the fixing of this joint to the stair cross beam profile (see p. 249) with set screws quality 8.8 and hexagonal nuts.
- The centre spigot is for the fixing of the last step in the transition from stair to platform.



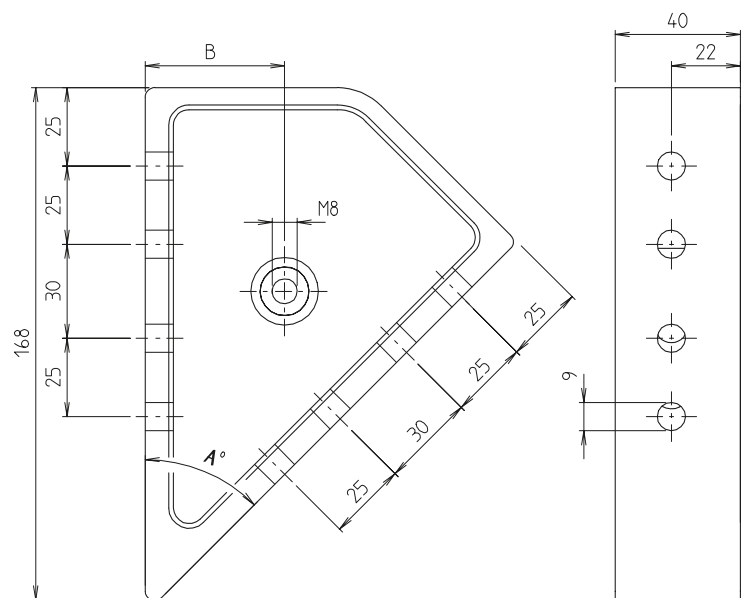
Fixing stairs / floor with stair joint 45°



Fixing stairs / floor with mitre cut 38°, 60°



Fixing stairs / working platform with stair joint 38°, 45°, 60°

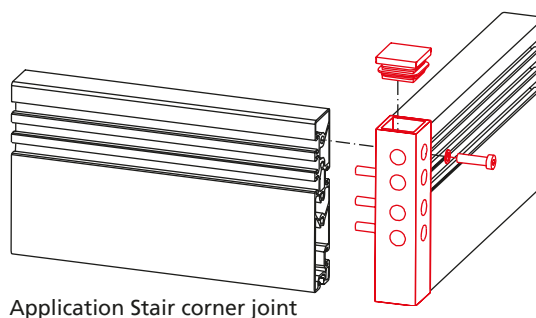


Stair joint

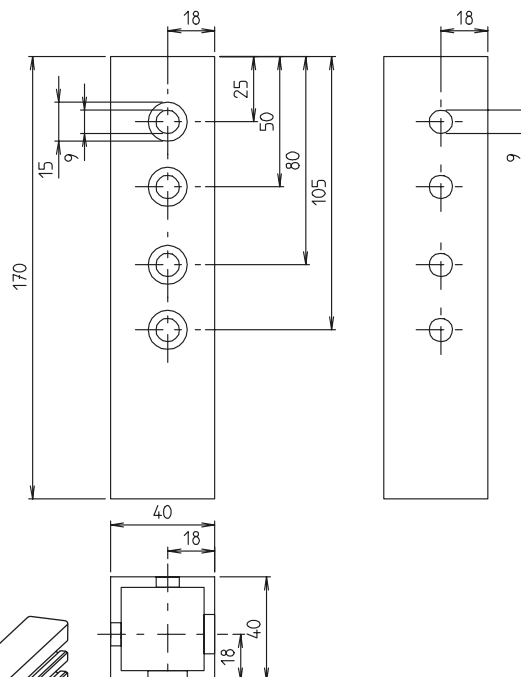
Code No.	Type	A	B	Material	m [g]
93807	Stair joint 38° fixing step-platform	38°	36,15	Gk AlSi 12	436
93810	Stair joint 45° fixing step-platform	45°	44,5	Gk AlSi 12	500
93811	Stair joint 45° fixing floor step	45°	44,5	Gk AlSi 12	500
93820	Stair joint 60° fixing step-platform	60°	60,5	Gk AlSi 12	563

Order instruction:

- Purchase only in lot sizes and a multiple of that, see product table below

Material: AlMgSi 0,5 F22


Application Stair corner joint


 The illustration shows a "left" version .
 The right version is the mirror-image.

Stair corner joint

Code No.	Type	m [g]
93821	Stair corner joint right-hand	242
93822	Stair corner joint left-hand	242

Tools

Code No.	Type	lot sizes	Application
91804	Compl.clamping lever set	-	Spare parts for internal tension system (clamping screw, clamping rocker, thrust pad, screw cap)
90430	Stopper	10, 20, 30... pcs	for quick change system

ITAS – Industrial stairs and working platforms



A circulating podium, in an assembly hall, with multiple access points.



Staircase between two operating platforms.

Company:..... Customer no:.....
 Adress:
 Phone:..... Telefax:.....
 Responsible:..... E-Mail:
 Remarks:

Working platform

Constructions are made of aluminium components with non-slip step profiles and smooth connections between handrailing components allowing a complete modular design.

Procedure:

Please fill in points 1 to 4, so that we are able to send you the quotation as soon as possible.
 A layout of your details with possible constructional suggestions from our company will be placed at your disposal upon request.

1. Application

- fixed platforms

2. Delivery

- unassembled
- pre-assembled parts

3. Technical data

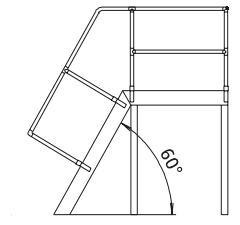
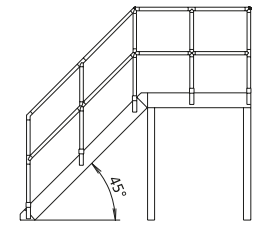
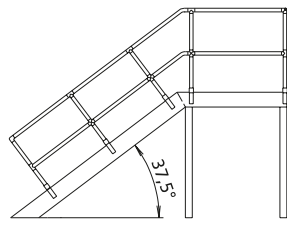
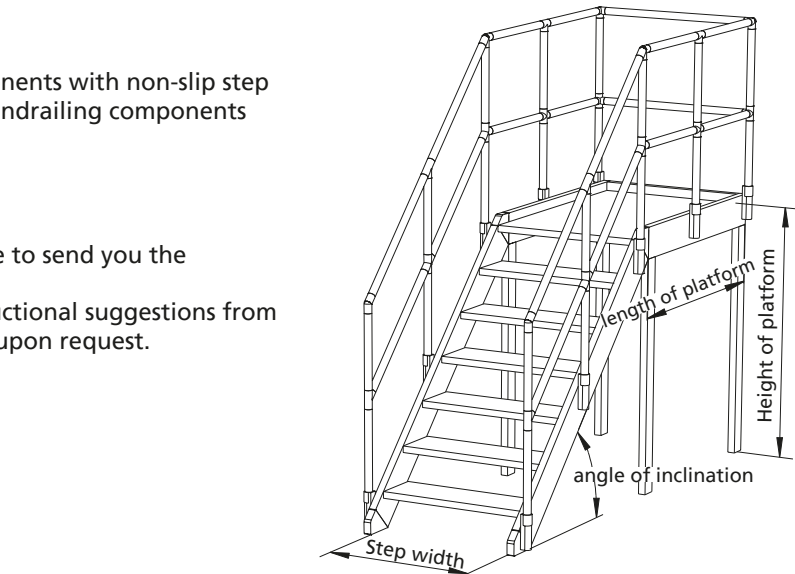
Load: max. 150 kg/m²

Step width:mm

Length of platform:mm

Height of platform:mm

Angle of inclination (see type of railing) ⇒



Railing 38°

Railing 45°

Railing 60°

4. Angle of inclination (see type of railing)

Stairs

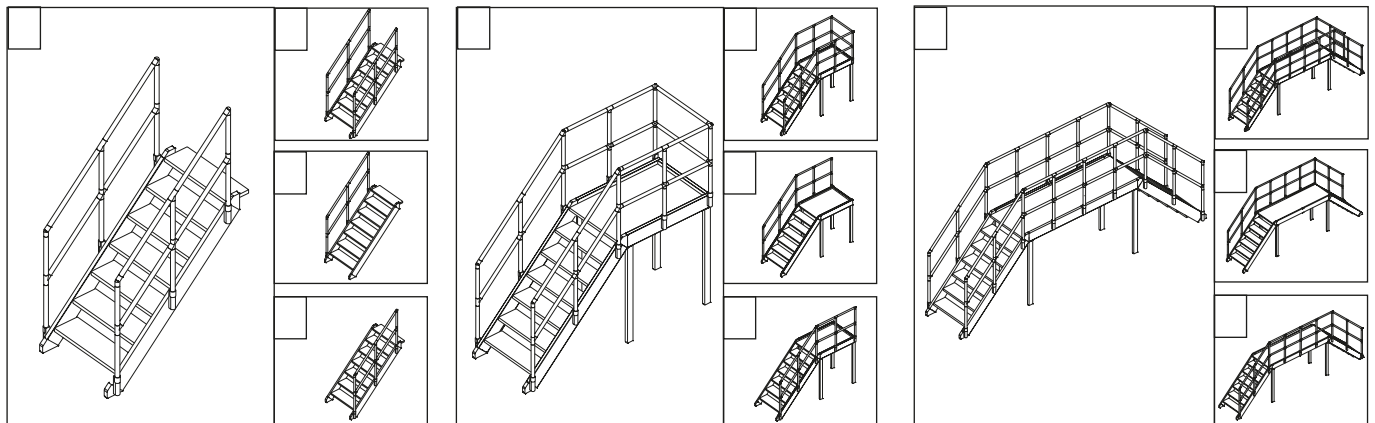
Railing*

Stairs mit platform

Railing*

Bridge

Railing*



*In case of a height of more than 1 m it is necessary to assemble railings onto the stairs and platforms.

Support arm / equipment carrier system



Support arm / equipment carrier system

RK Monitor Mounting page 266

GT 48 page 290

GT 50, 60, 80 page 300

Support arm / equipment carrier system

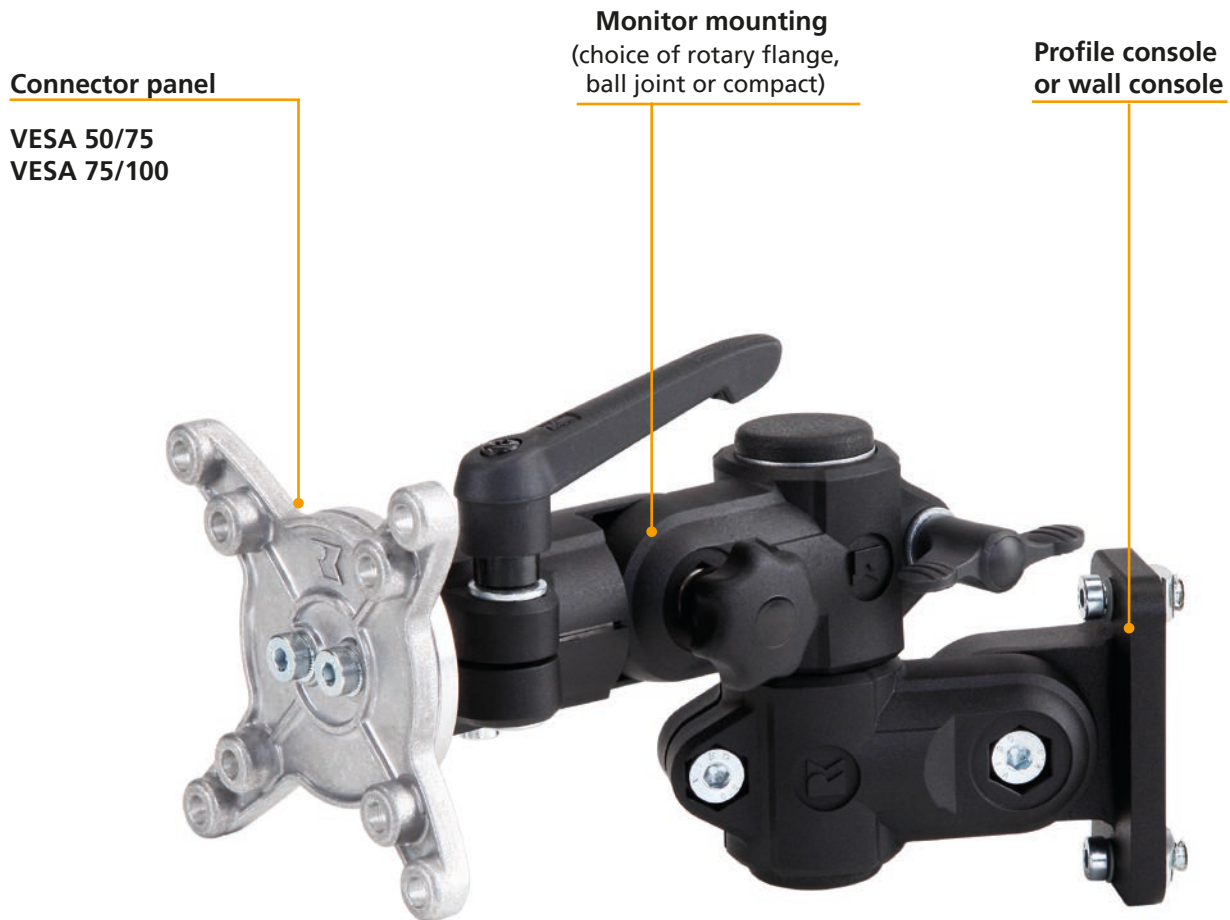
RK Monitor Mounting

All purpose mounting for monitors, touch panels and operating units

This mounting for monitors, touch panels and other operating units is flexible, offers many degrees of freedom and thus can be used universally. Due to compatibility to RK Connecting Technology as well to the RK Profile System most different connections are realizable.

Ideal range of applications:

- ✓ General industrial applications
- ✓ Plants and machines
- ✓ Control centers
- ✓ Ergonomic work stations



Features

- Choice of user-specific or VESA-standard monitor connection
- High-strength materials guarantee a long-term load-bearing capacity of up to 25 kg, for reliable processes
- Highly ergonomic thanks to personalised height adjustment
- Optimum adjustment of the field of vision thanks to side-turning
- rotary flange and ball joint: vibration-proof locking in 15° increments
- compact: fixing principle with half shells (suitable for retrofitting and extensions) reducing bushes available (round or square 20, 25, 30mm)
- Connects to aluminium profile, and thus also to the machine frame using slot stones
- Universal mounting holes facilitate simple wall mounting

Table of contents

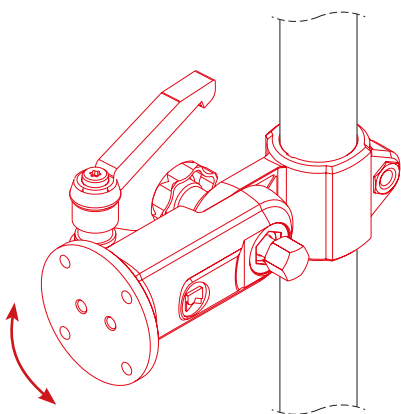
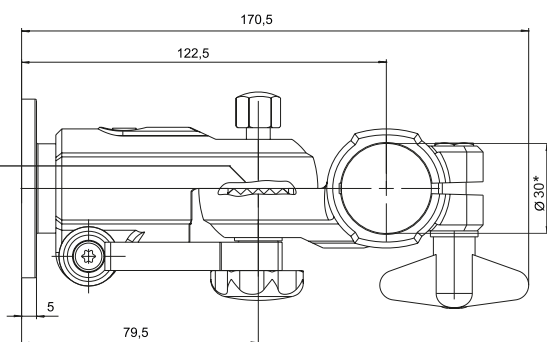
Versions	<ul style="list-style-type: none"> ■ Rotary flange monitor mounting S. 268 ■ Ball joint monitor mounting S. 268 ■ Monitor mounting compact S. 269
Fixing	<ul style="list-style-type: none"> ■ Wall console S. 270 ■ Profile console..... S. 270 ■ Support arm single..... S. 271 ■ Support arm double..... S. 272 ■ Support arm double height adjustable S. 273 ■ Support arm telescope S. 274 ■ Support arm telescope height adjustable S. 276
Modules	<ul style="list-style-type: none"> ■ Monitor floor stand adjustable S. 278
Accessories	<ul style="list-style-type: none"> ■ Adaptor plate VESA 50/75 S. 282 ■ Adaptor plate VESA 75/100 S. 282 ■ Keyboard tray S. 283 ■ Tablet holder S. 284 ■ Smartphone holder..... S. 285 ■ Lockable steering roller S. 286 ■ Vario-Quick holding block S. 286 ■ Reducing bushes S. 287 ■ Reducing inserts..... S. 287 ■ Clamping lever S. 288 ■ Cable straps with velcro..... S. 288
Applications	<ul style="list-style-type: none"> ■ Monitor Mounting..... S. 288

RK Monitor Mounting / Versions

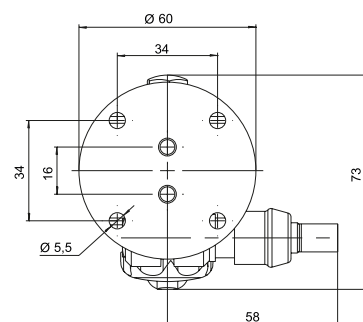
Rotary flange monitor mounting



Locking in 15° - steps



90°



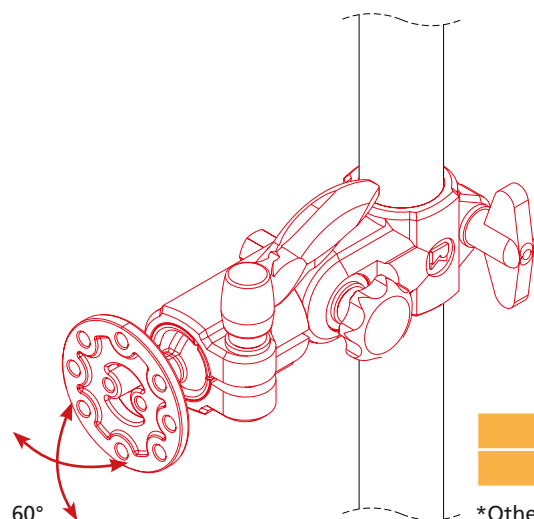
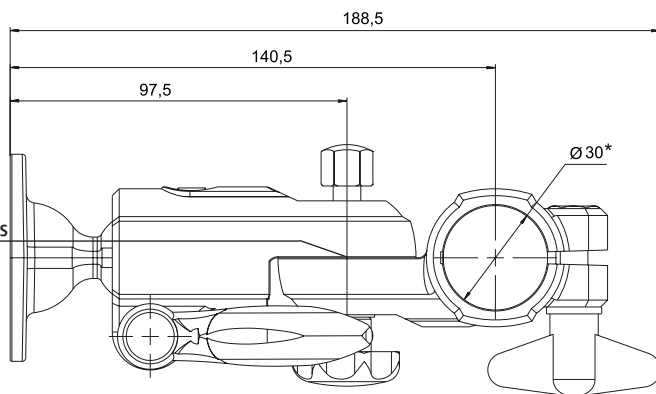
Code No.	Weight	max. load
193000030C11	370 g	25 kg

*Other cross-sections by reducing bushes (see page 287)

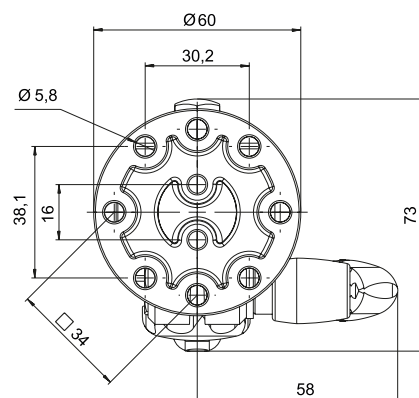
Ball joint monitor mounting



Locking in 15° - steps



60°

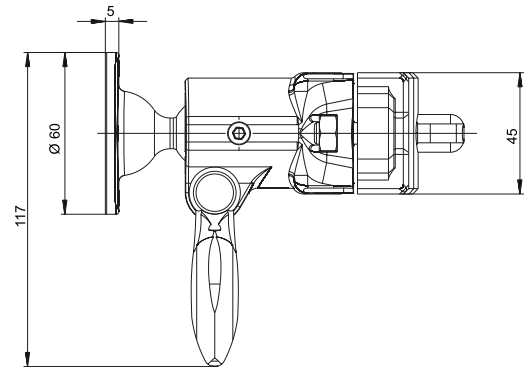
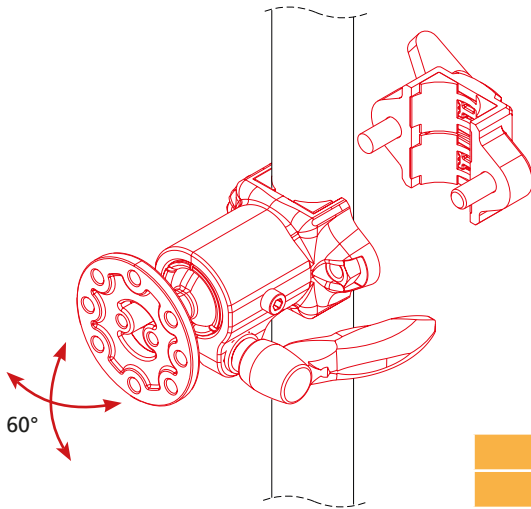
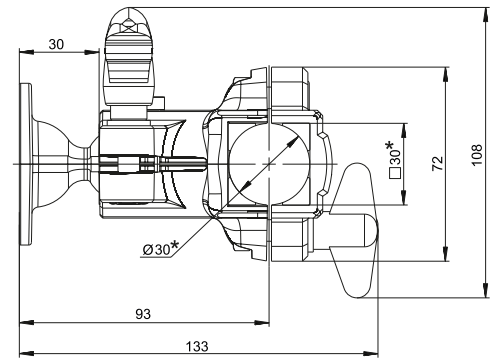
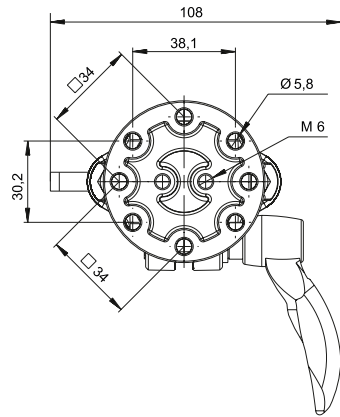


Code No.	Weight	max. load
193000042C11	342 g	10 kg

*Other cross-sections by reducing bushes (see page 287)

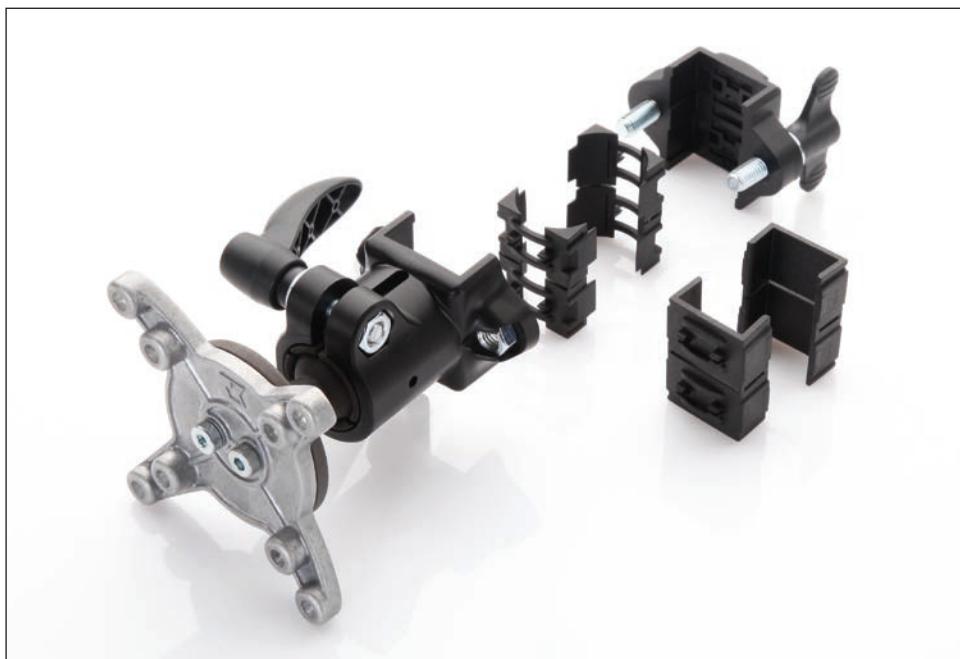


Monitor mounting compact



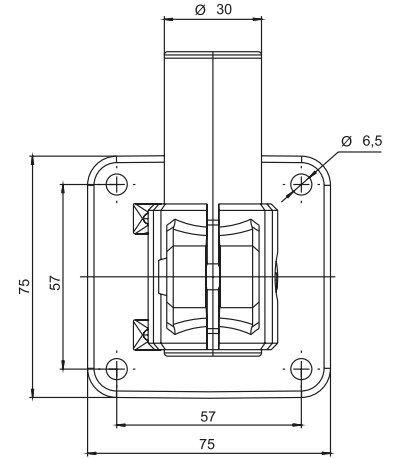
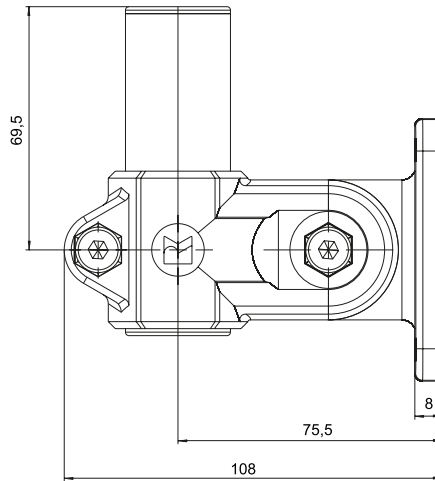
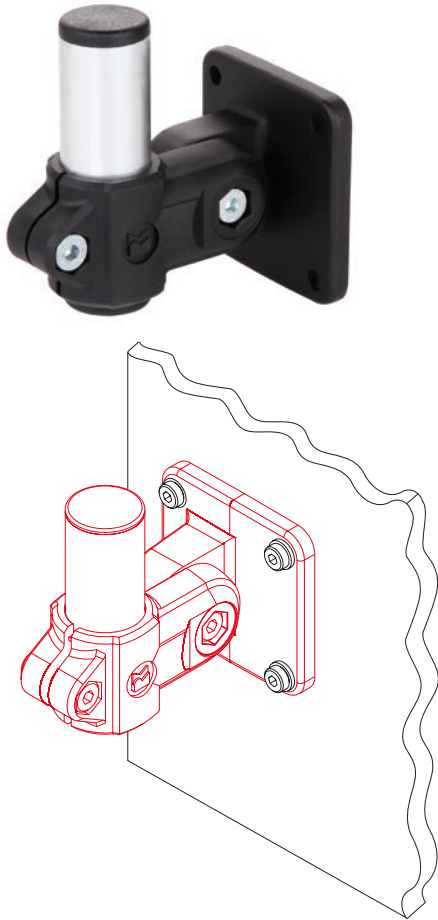
Code No.	Weight	max. load
193000052C11	290 g	10 kg

*Other cross-sections by reducing inserts (see page 287)



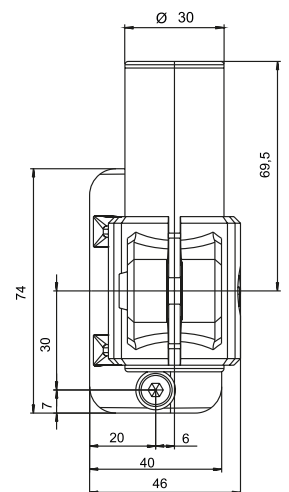
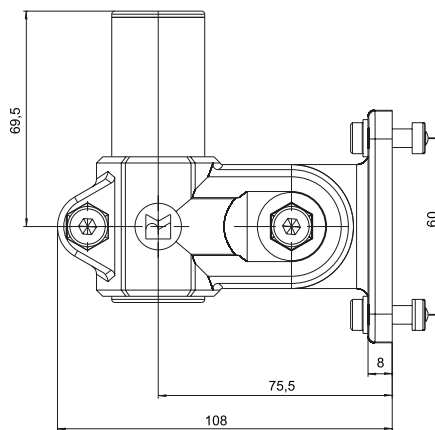
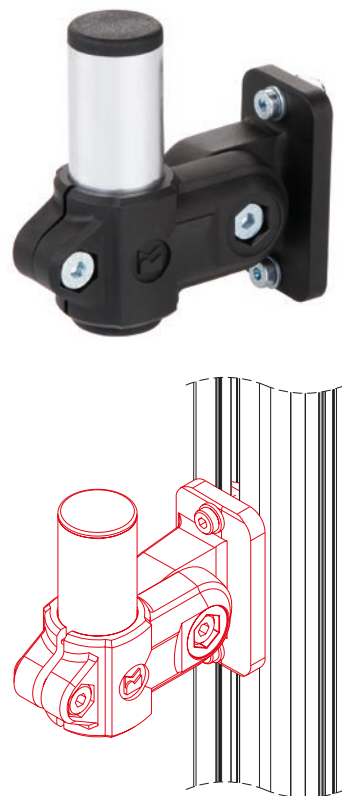
RK Monitor Mounting / Fixing

Wall console



Code No.	Weight
193000358C66	306 g

Profile console



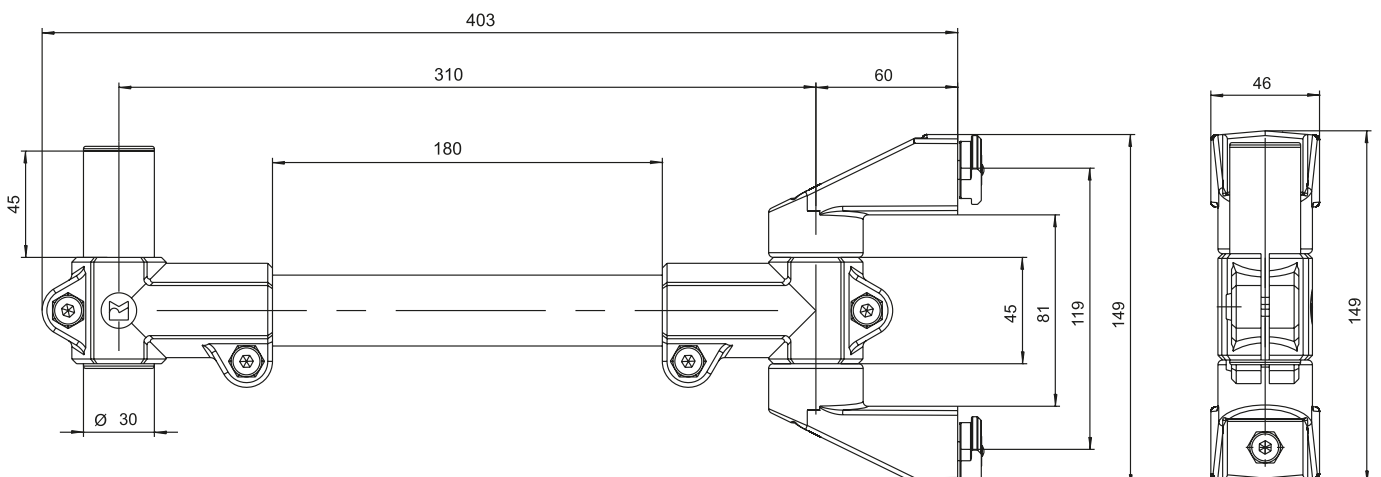
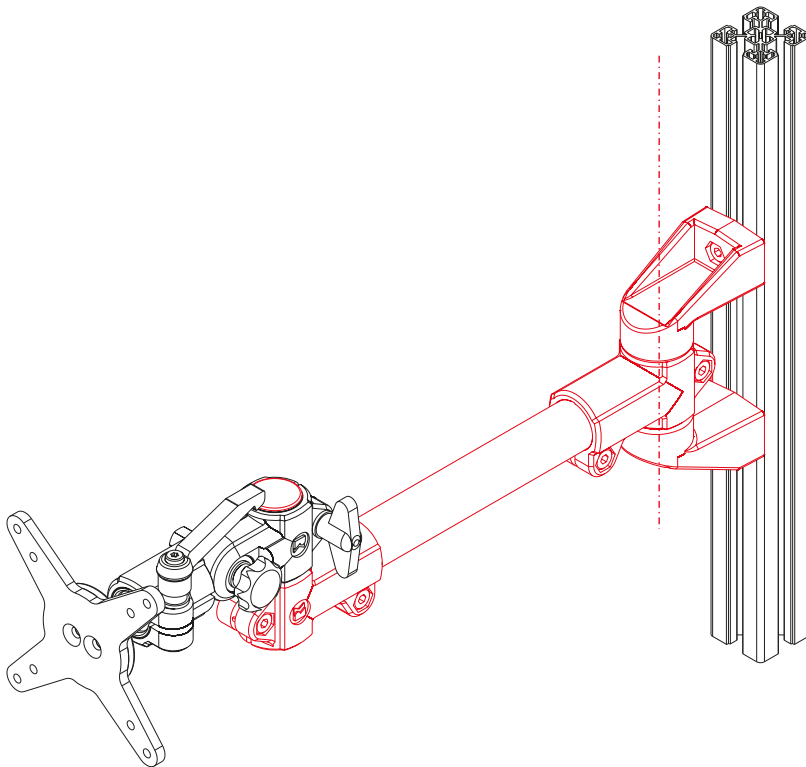
Includes:
Complete with fixing set for slot geometry 40

Code No.	Weight
193000298C66	270 g



Support arm single

Includes:
Complete with fixing set for slot geometry 40

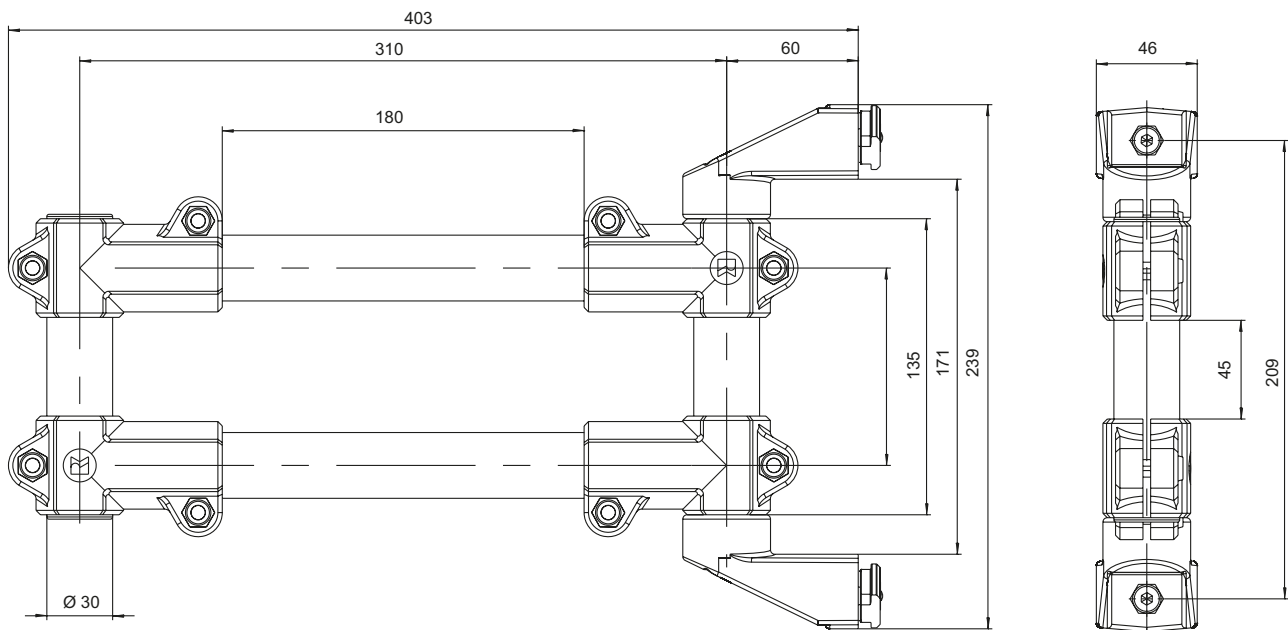
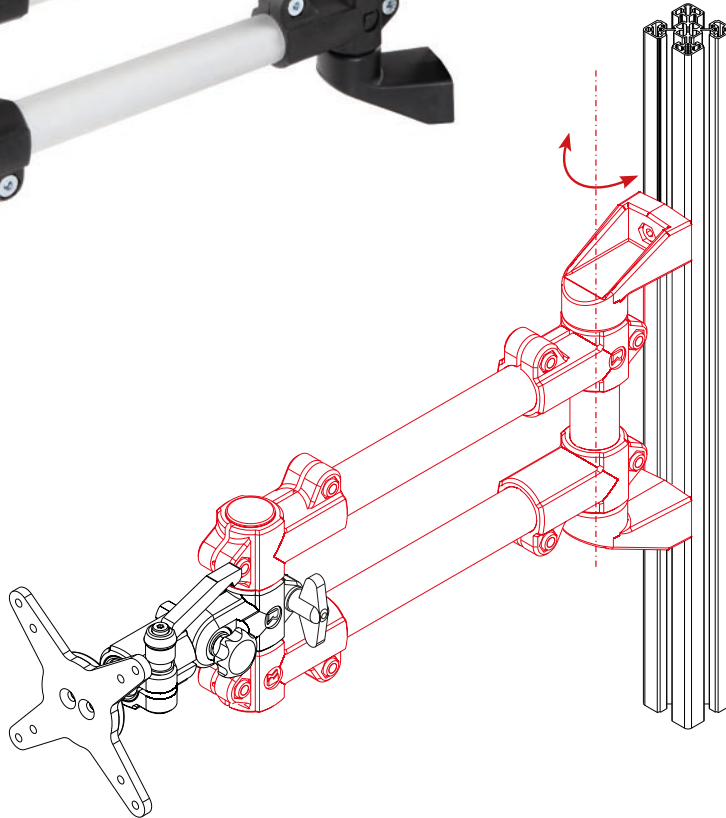


Code No.	Weight	max. load
193000018C66	610 g	10 kg

RK Monitor Mounting / Fixing

Support arm double

Includes:
Complete with fixing set for slot geometry 40



Code No.	Weight	max. load
193000028C66	1030 g	25 kg



Support arm double height adjustable

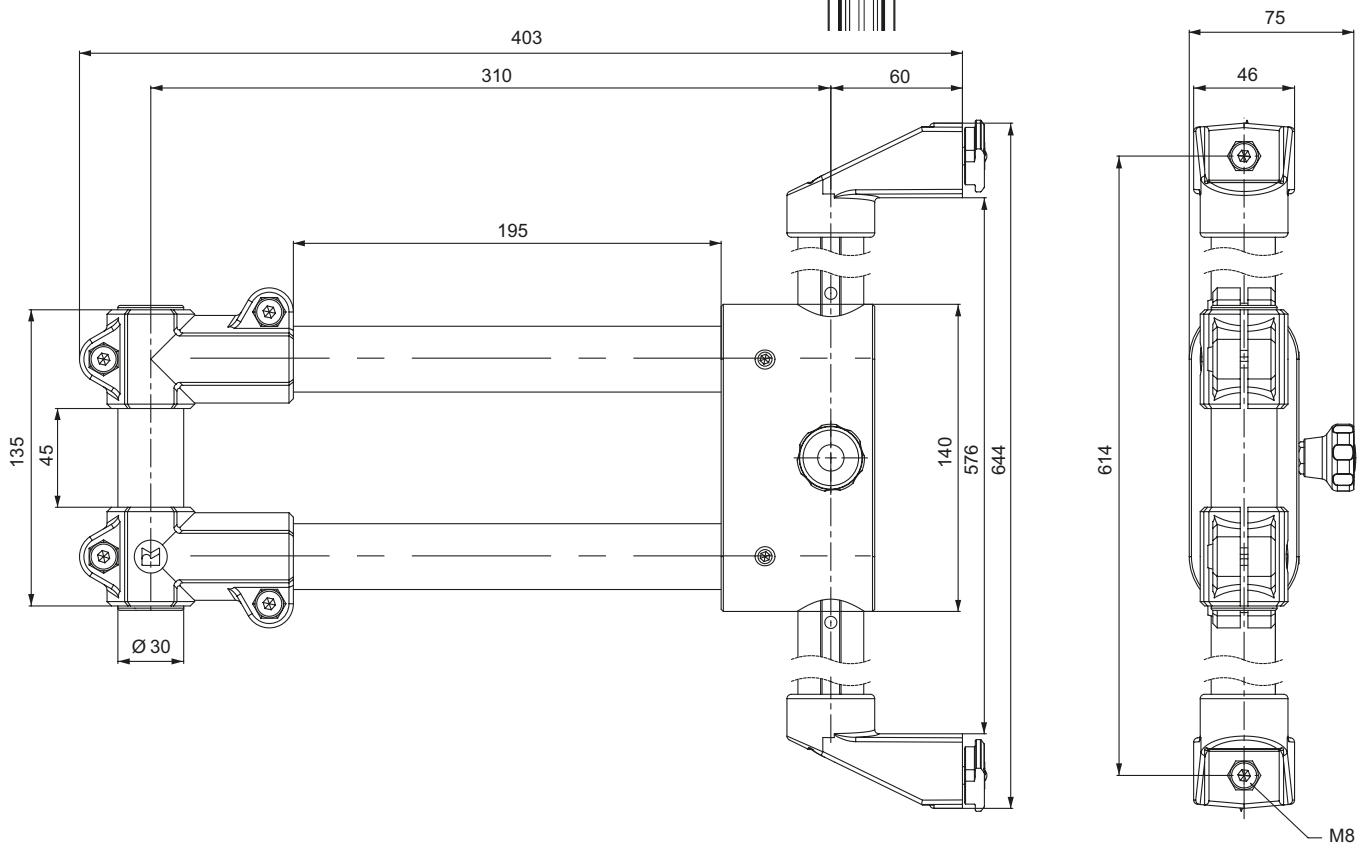
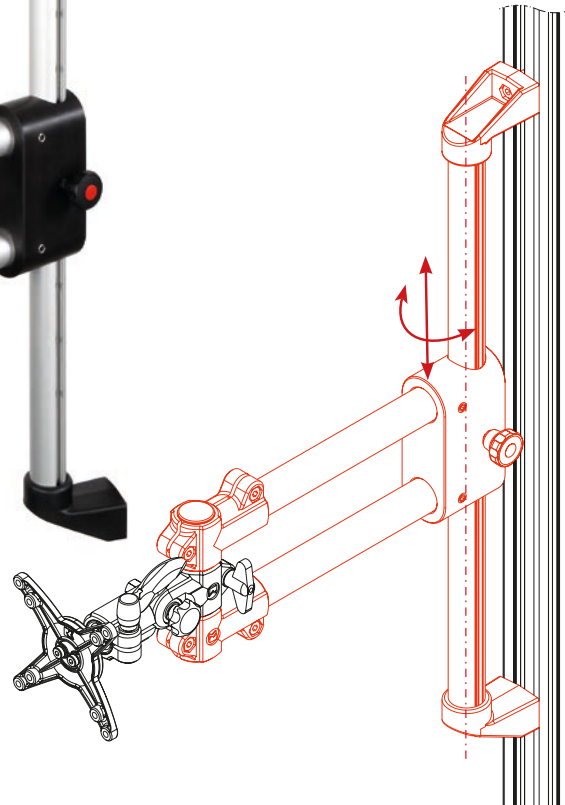


Includes:

Complete with fixing set for slot geometry 40

Features:

- Travel 400mm max. (30mm steps)
- Toolless manual adjustment
- Safe locking by a spring-loaded stop bolt

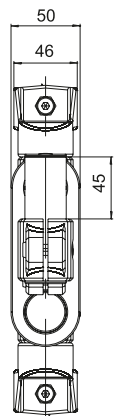
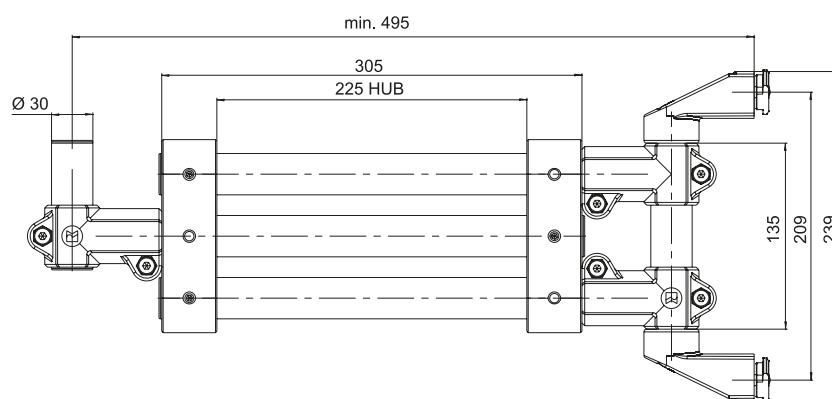
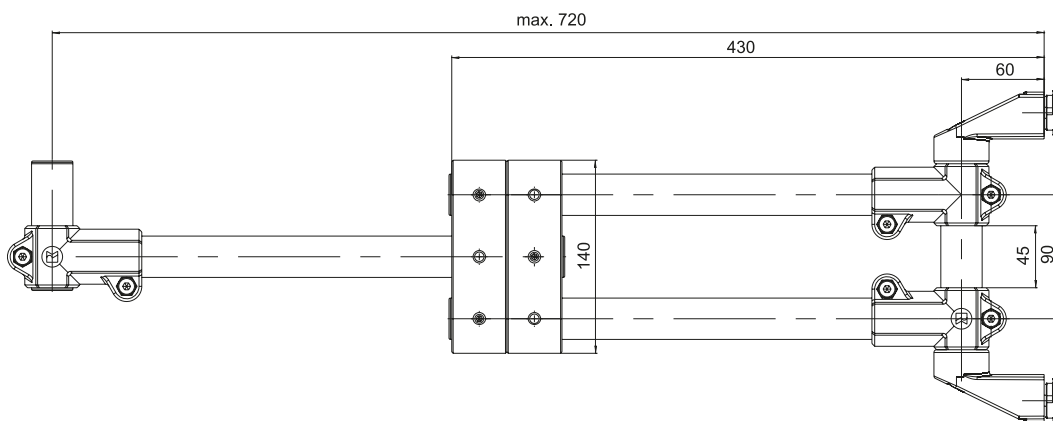
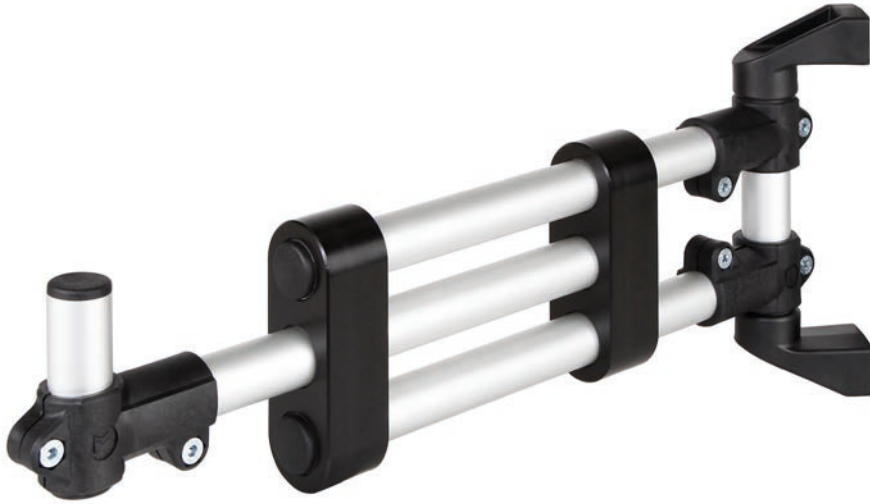


Code No.	Weight	max. load
193000068C66	2040 g	10 kg

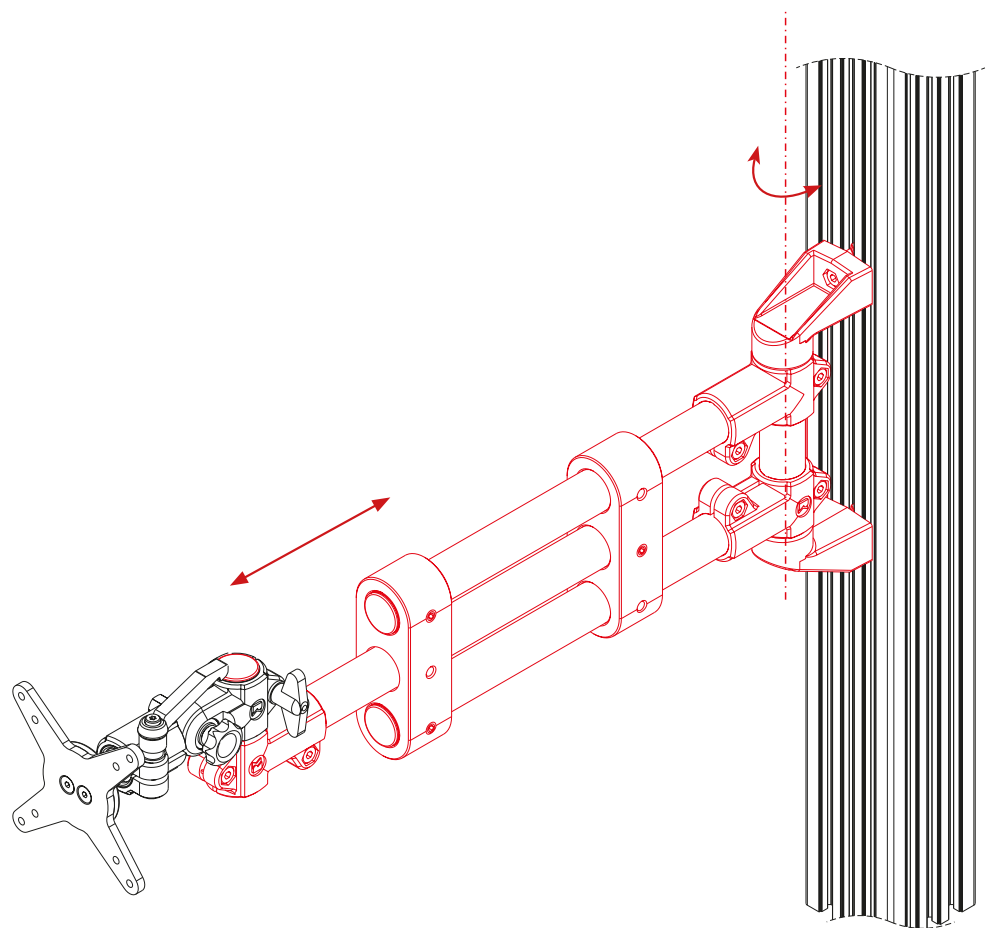
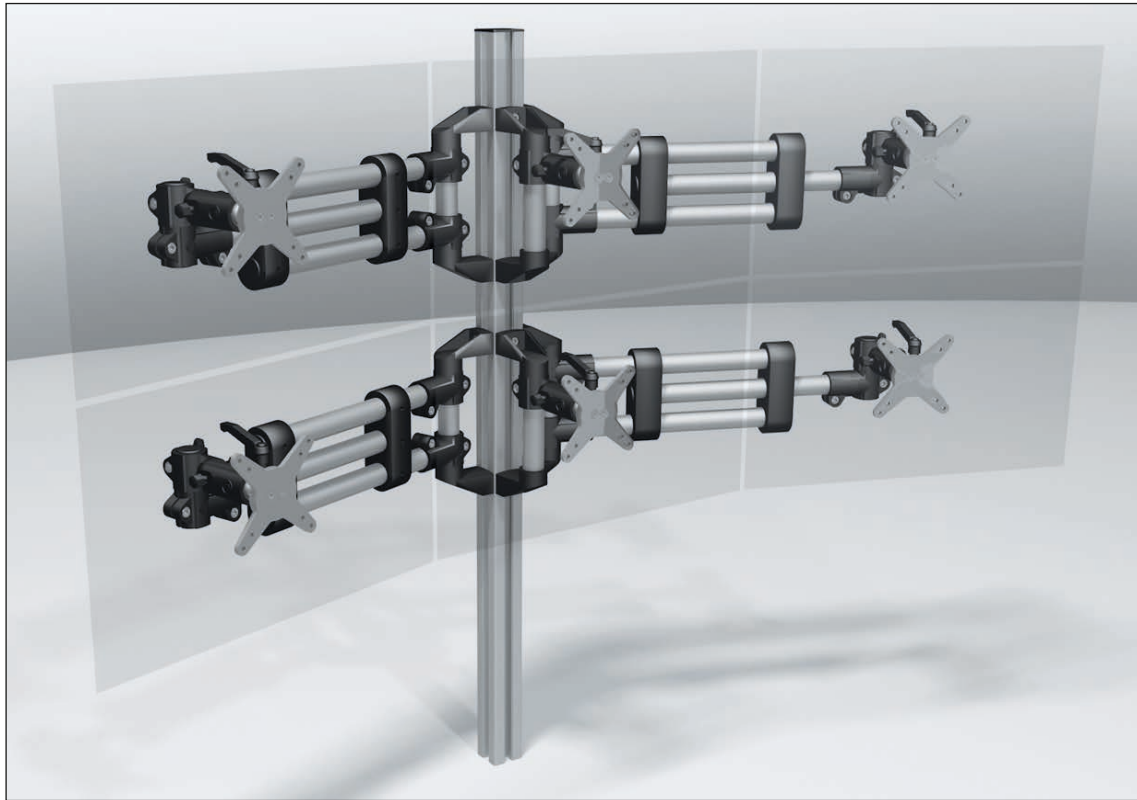
RK Monitor Mounting / Fixing

Support arm telescope

Includes:
Complete with fixing set for
slot geometry 40



Code No.	Weight	max. load
193000048C66	1610 g	5 kg



RK Monitor Mounting / Fixing

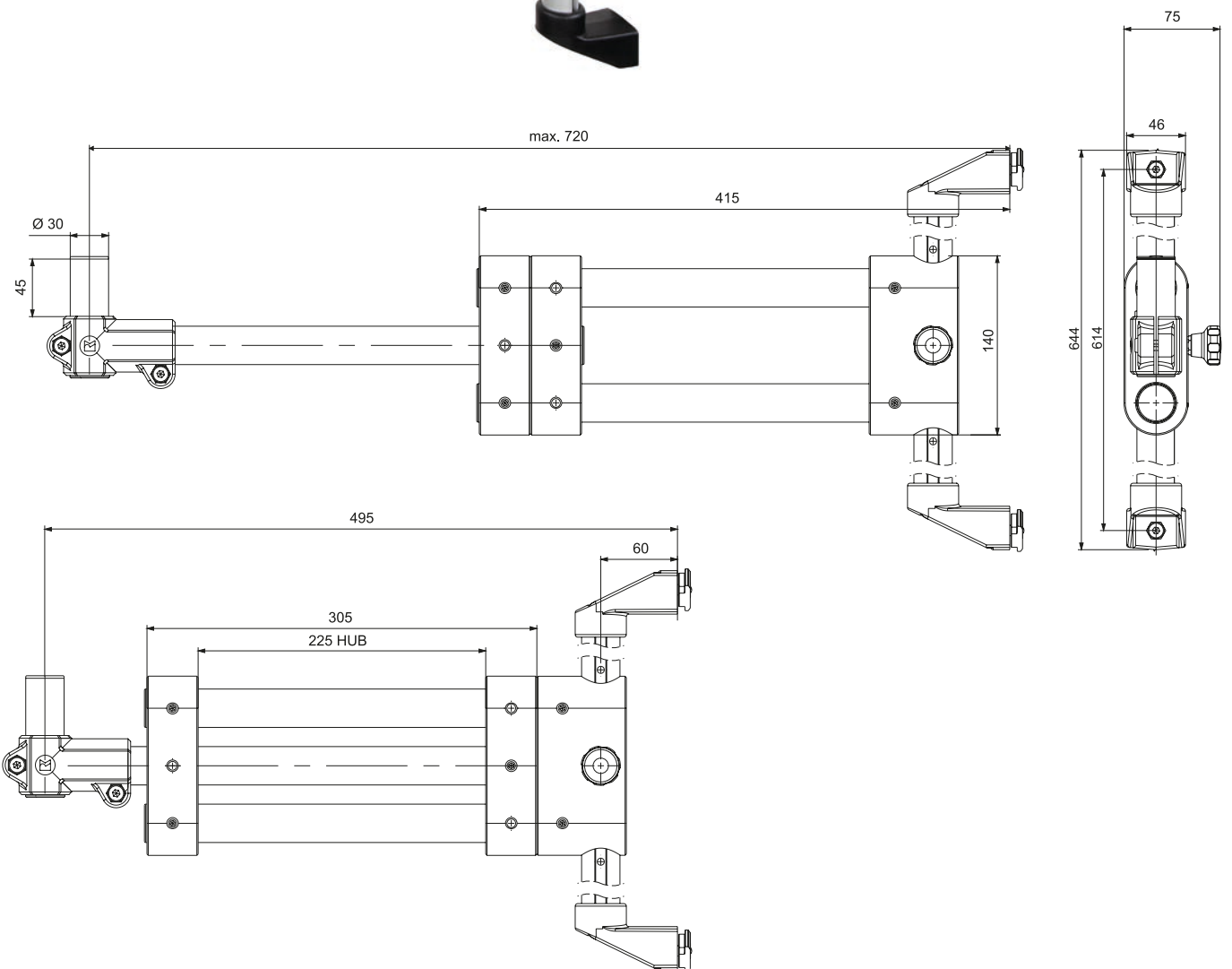
Support arm telescope
height adjustable



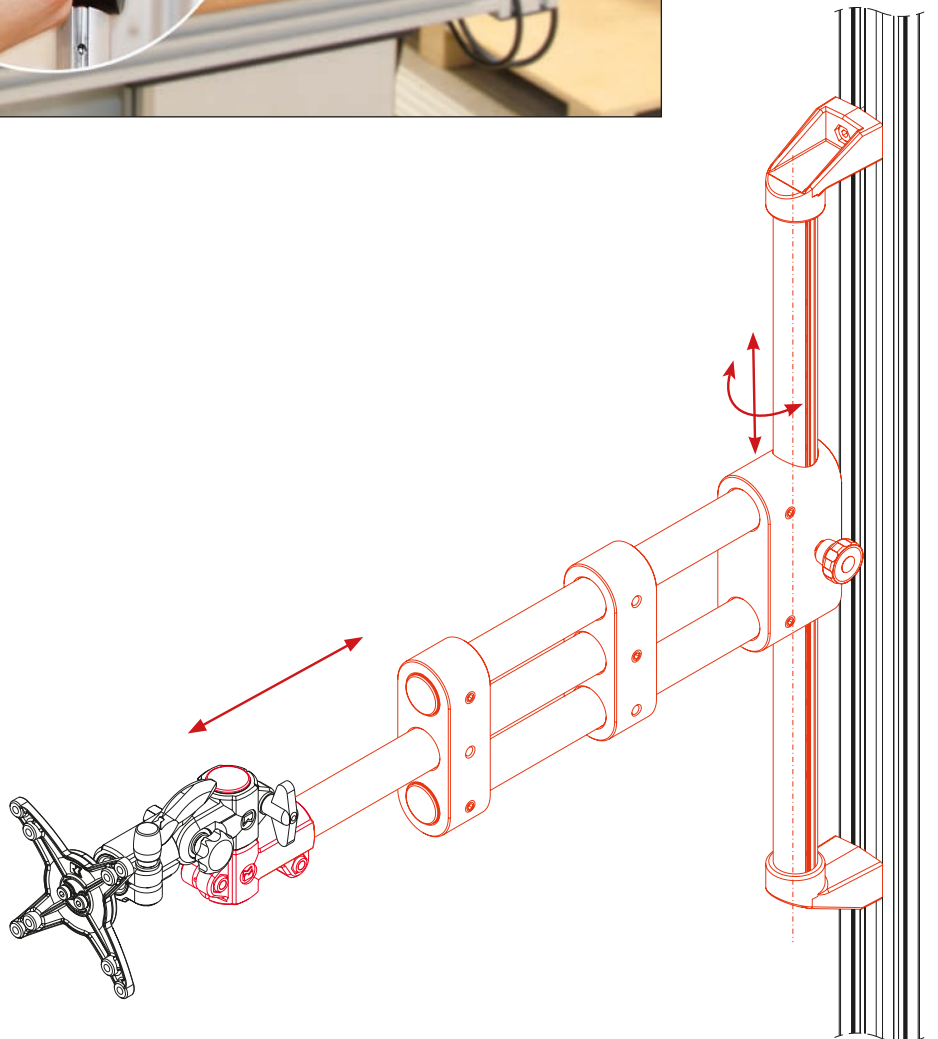
Includes:
Complete with fixing set for
slot geometry 40

Features:

- Travel 400mm max. (30 mm steps)
- Toolless manual adjustment
- Safe locking by a spring-loaded stop bolt



Code No.	Weight	max. load
193000058C66	2640 g	5 kg



RK Monitor Mounting / Modules

Monitor floor stand adjustable

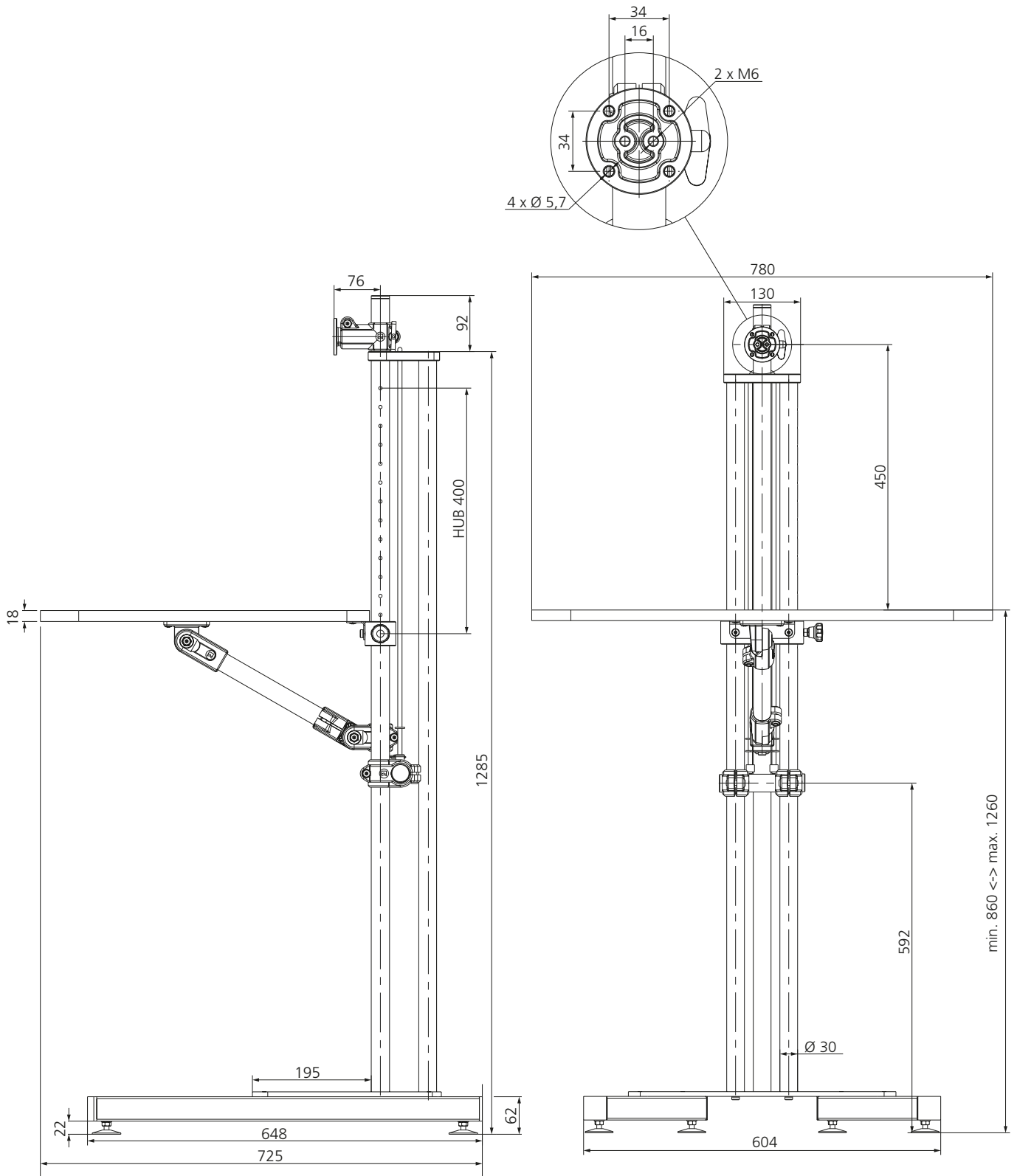
Includes:
pre-assembled kit

Features:

- Adjustable 400 mm max. (31 mm steps)
- Tool free height adjustment

- Safe locking of the height adjustment by spring-loaded locking bolt
- Stable construction with adjustable feet, optional with swivel castors (Accessories page 286)
- Coated working surface (0.30m²)
- Integrated cable channel
- Monitor mounting included
- Combinable with other RK monitor mountings

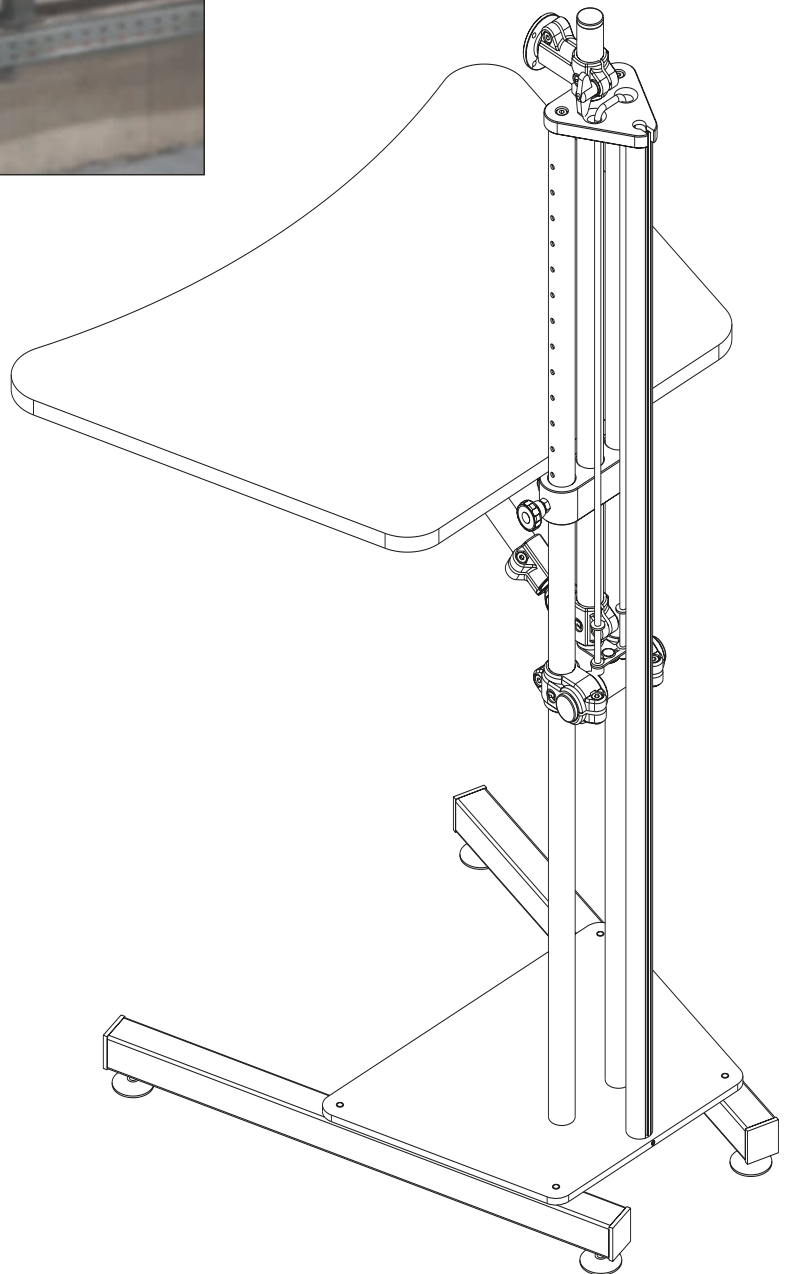




Code No.	Weight
193000078C66	22.2 kg

RK Monitor Mounting / Modules

Monitor floor stand
adjustable





Height adjustment for monitors



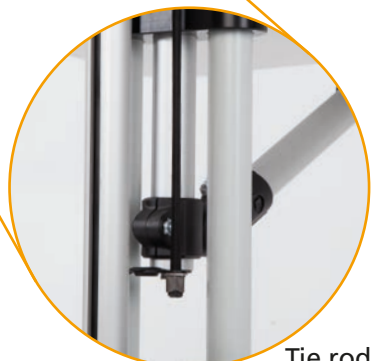
Cable guide



Height adjustment table top (locking bolt)



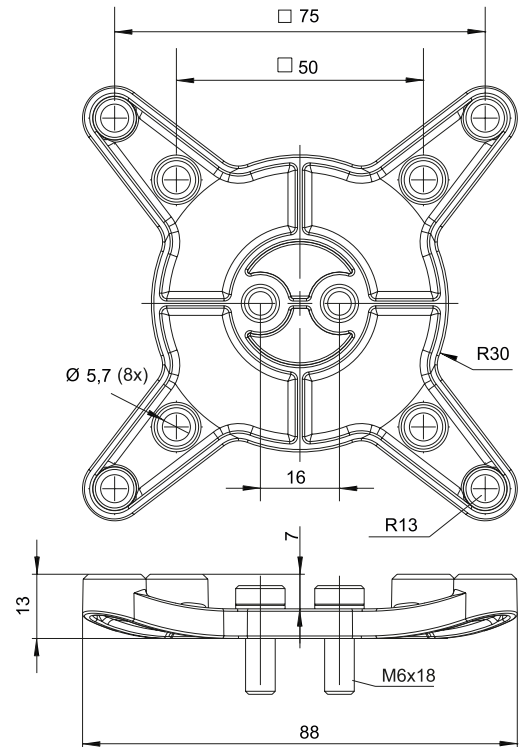
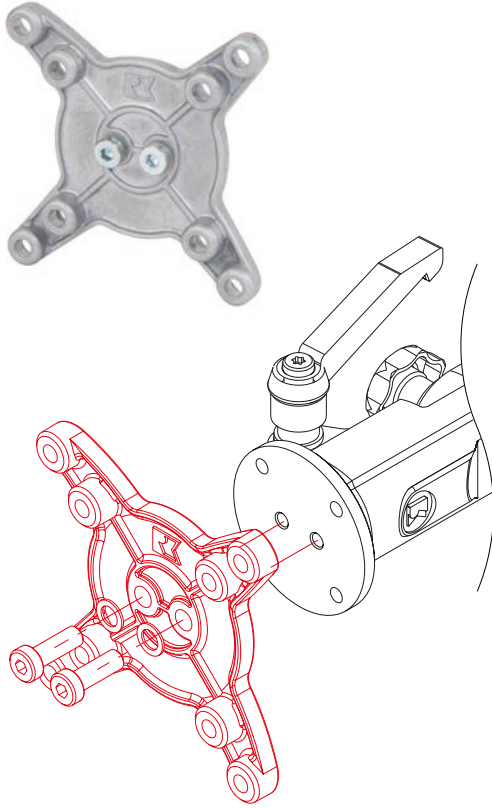
Optional: Lockable swivel castor (p. 277)



Tie rod

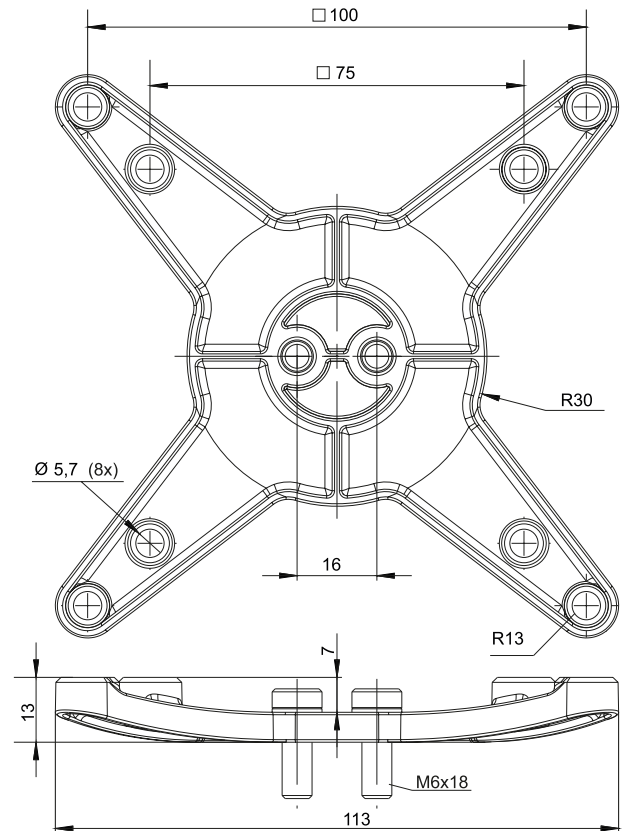
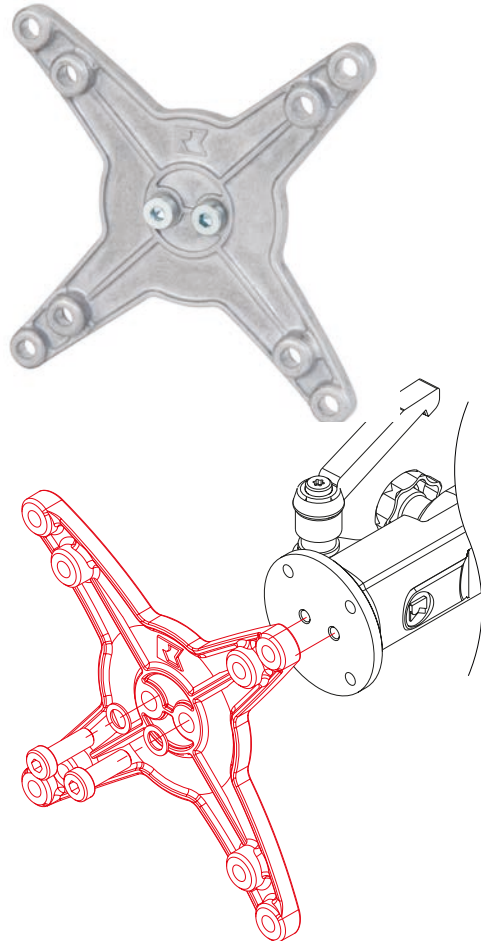
RK Monitor Mounting / Accessories

Adaptor plate VESA 50/75



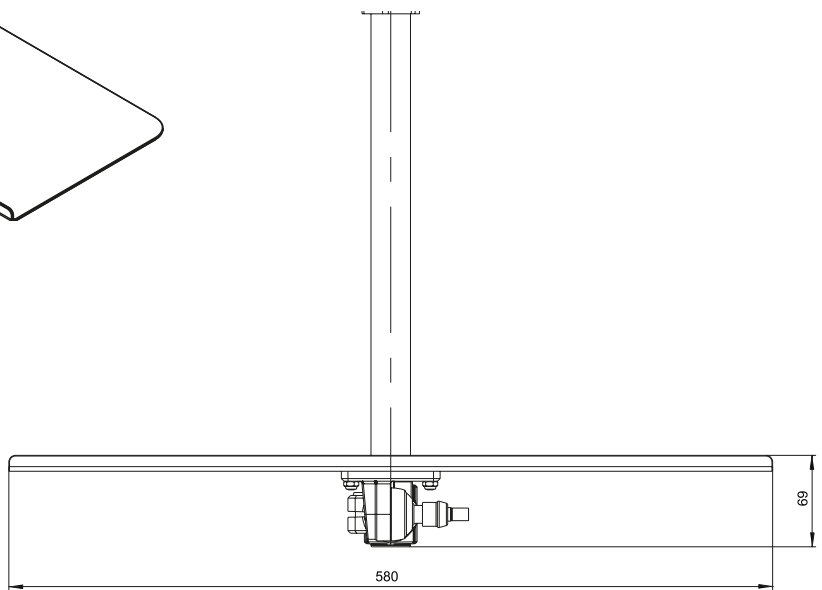
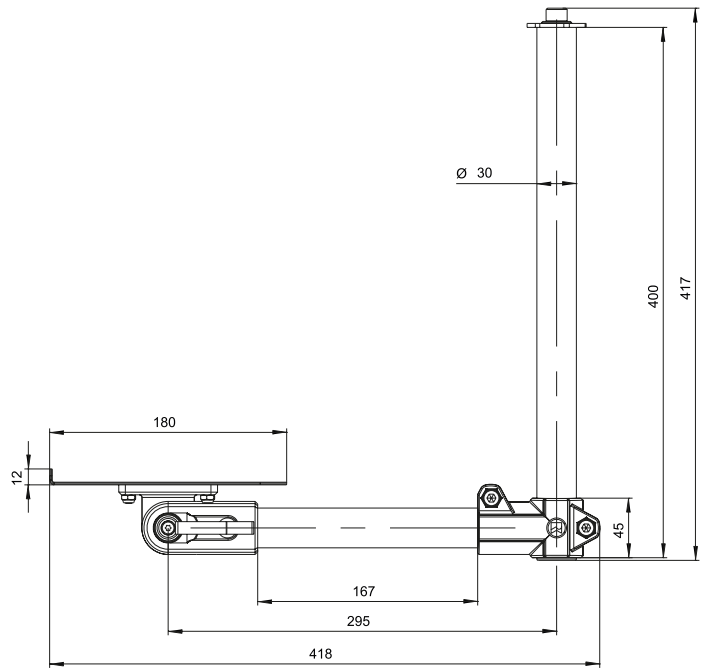
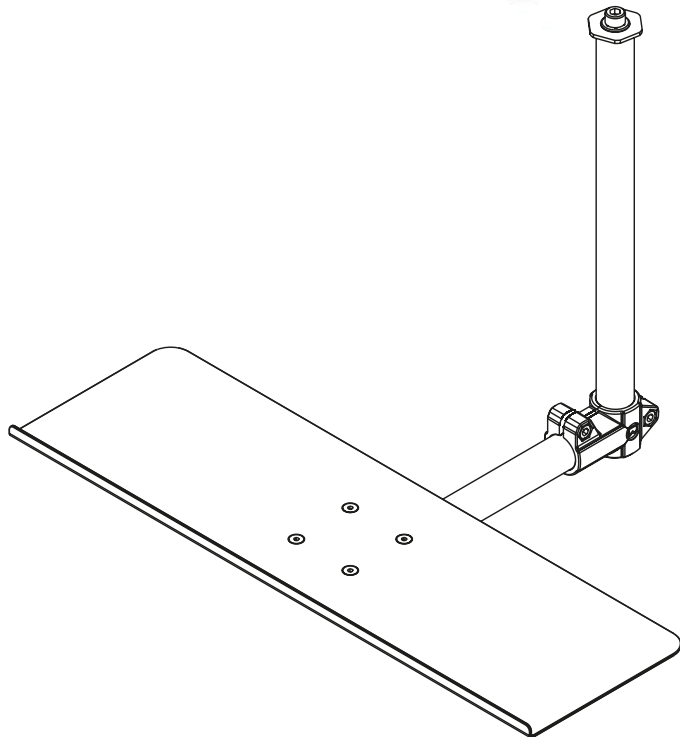
Code No.	Weight
94372	67 g

Adaptor plate VESA 75/100



Code No.	Weight
94371	80 g

Keyboard tray



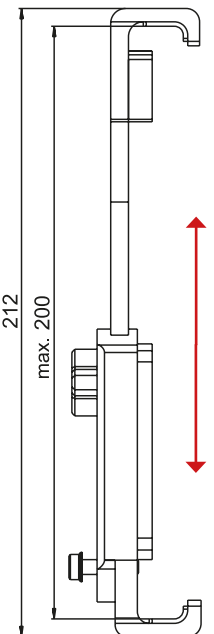
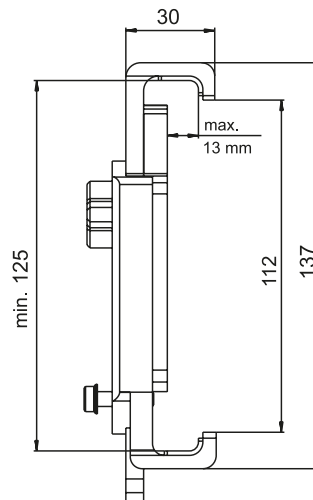
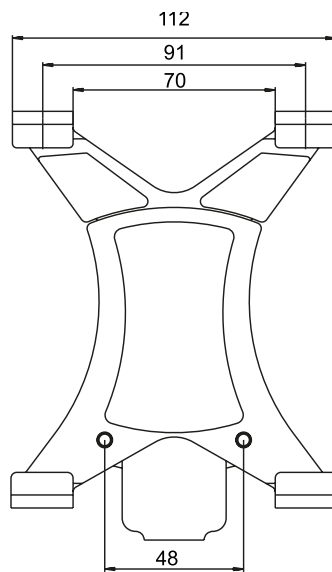
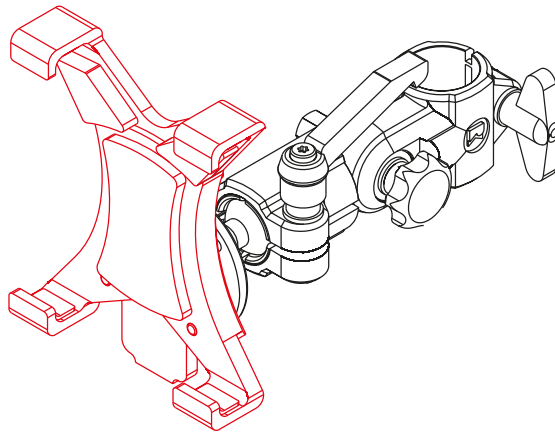
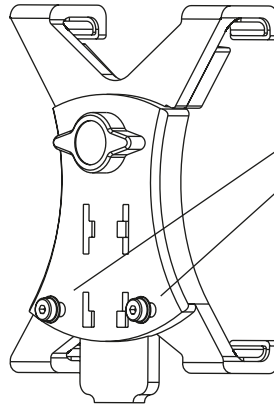
Designed for Support arm double

Code No.	Weight
193000038C66	2500 g

RK Monitor Mounting / Accessories

Tablet holder

Includes: fixing set for RK monitor mounting

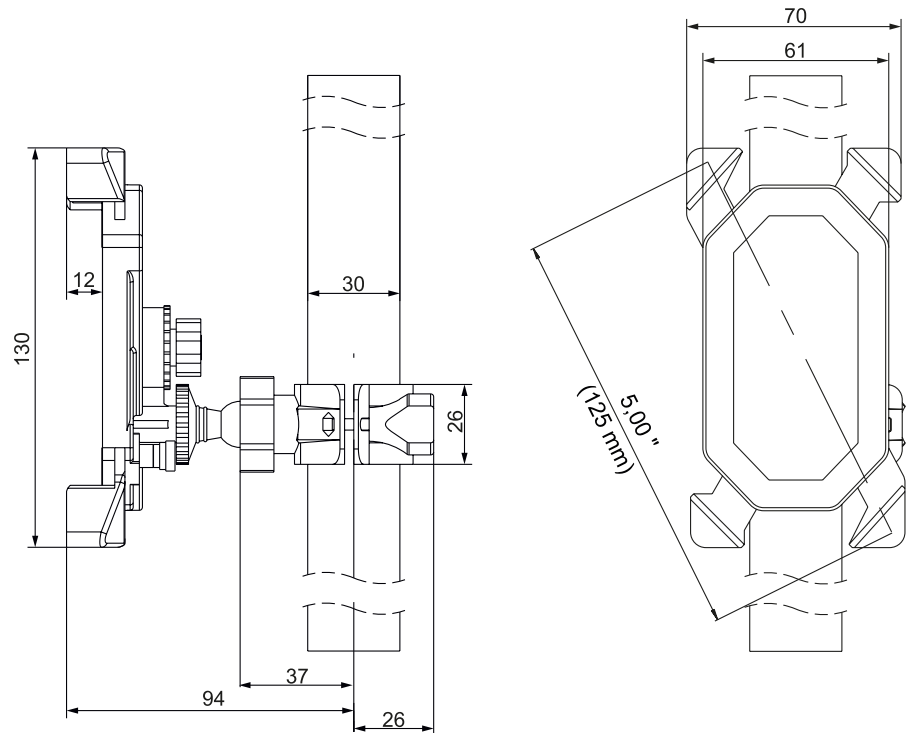
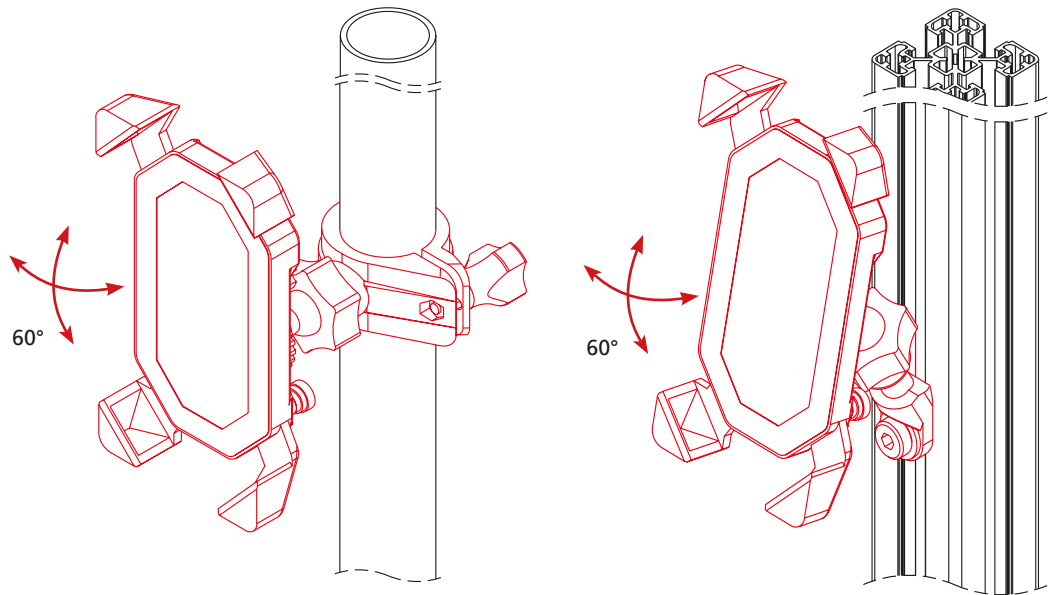


Code No.	adjustment range
193000052C66	125 mm - 200 mm



Smartphone holder

Delivery includes:
including fastening 30 mm round tube and fastening
to RK Rose+Krieger Profile system (40 mm groove geometry)

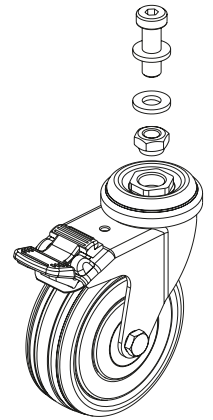
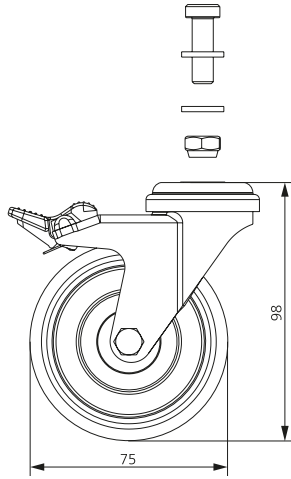


Code No.	adjustment range
193000038C69	from 125 (5 inch) to 185 (7.25 inch) mm

RK Monitor Mounting / Applications

Lockable swivel castor

Material: galvanized steel
Includes: fixing set



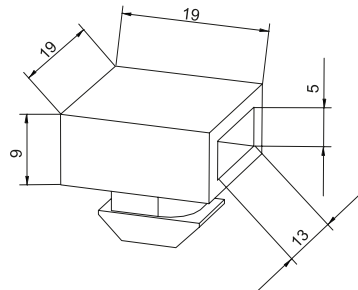
Code No.	Weight
90503	34 g

Order instruction:

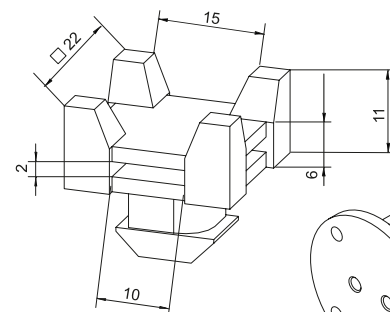
- Purchase only in lot sizes and a multiple of that, see product table below

Vario-Quick holding block K/KK

Version K

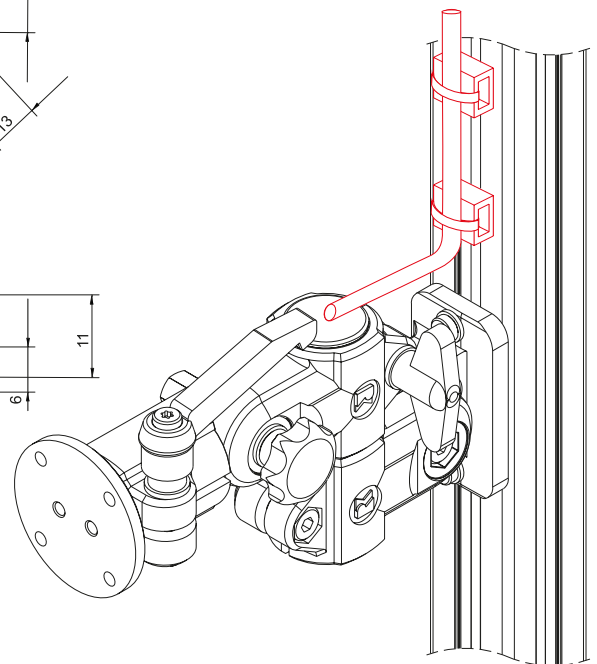


Version KK



- For fixing cables and hoses
- It is possible to insert it into the profile slot retrospectively

Material: Black plastic

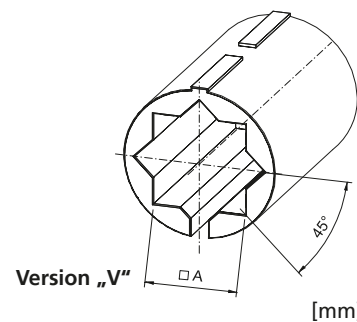
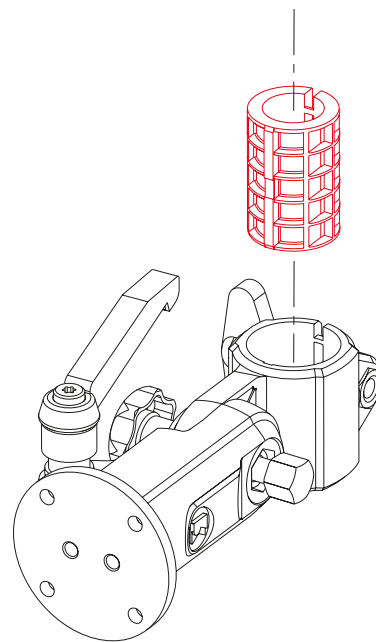
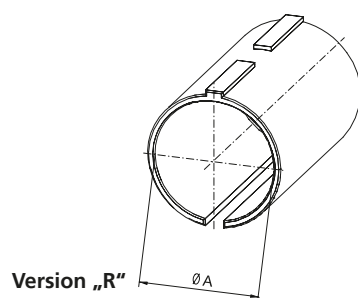


Code No.	Version	lot sizes	Suitable for
40181251	Holding block K	10, 20, 30... pcs	40 slot geometry*
40181271	Holding block KK	10, 20, 30... pcs	40 slot geometry*

* Slot geometry RK Profile Technology

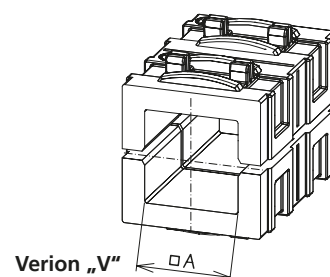
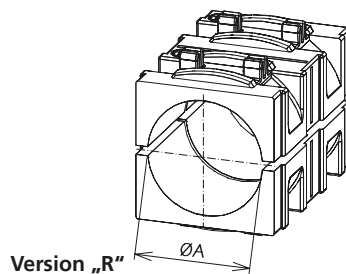
Order instruction:

- Purchase only in lot sizes and a multiple of that, see product table below

Reducing bushes for monitor mounting


[mm]

Code No.	Version	lot sizes	A + 0,1
96204AC	R20	5, 10, 15... piece	20,25
96206AC	R25	5, 10, 15... piece	25,25
96208AC	V20	5, 10, 15... piece	20,25

Reducing inserts for monitor mounting


[mm]

Code No.	Version	lot sizes	A
963000AC	R20	5, 10, 15... pcs	20,25
963002AC	R25	5, 10, 15... pcs	25,25
963004AC	R30	5, 10, 15... pcs	30,25
963001AC	V20	5, 10, 15... pcs	20,50
963003AC	V25	5, 10, 15... pcs	25,50

RK Monitor Mounting / Applications

Clamping lever

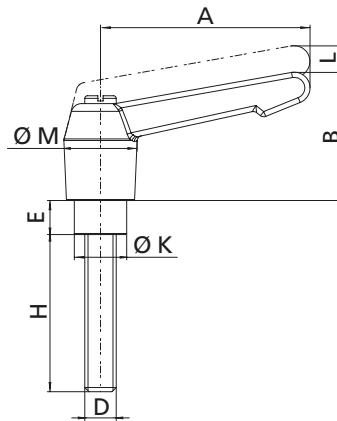
■ The clamping lever enables the re-adjustment of the clamping element. This can be done by easy exchange of the cylinder screw.

■ By lifting the grip, the free movement of the serration toothing enables the clamping lever to swing into the desired position. The grip moves into its original position when released.

Material: Grip made of polyamide black, screws -stainless steel



(Symbolic representation)



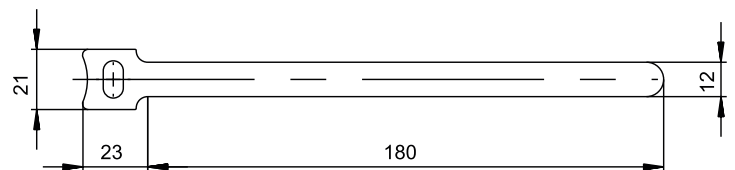
Code No.	Type	A	B	D	E	H	K	L	M
902381	20-30	65	35	M8	14	25	13	4	19,5

[mm]

Order instruction:

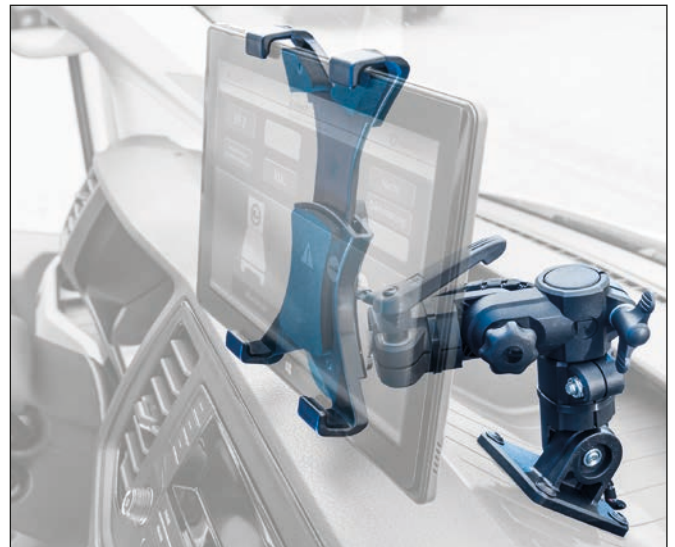
■ Purchase only in lot sizes and a multiple of that, see product table below

Cable straps with velcro



Code No.	lot sizes
91815	5, 10, 15... pcs

Applications



Supports arm/equipment carrier system GT 48



GT AG



GT F / GT FD



GT WGW / WGS



GT AF



GT W



GT KU / GT KUF



GT WKU / WKUF



GT PF



GT NA

Features:

- Based on a standardized round steel tube 48 mm in diameter, the different system elements can be combined so as to allow individual system structures to be set up within a short time.
- The length of the steel tubes can be adjusted freely; attachment to the system elements is made with self-tapping Allen screws.

Options:

- A free cable passage 40 mm in diameter is provided.

Support arm/equipment carrier system GT Ø48 – table of contents

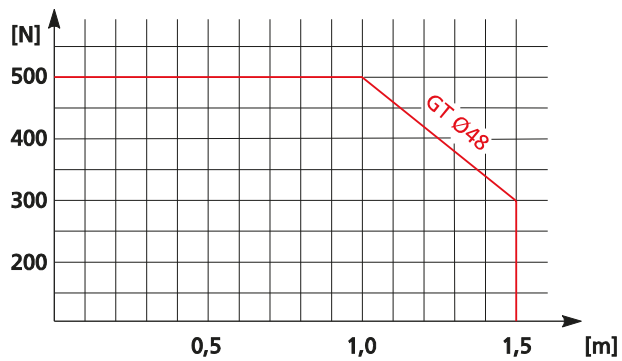
Properties/performance data	<ul style="list-style-type: none"> ■ Technical data p. 292 ■ Examples for system constructions p. 293
Versions (Dimensions, code numbers)	<ul style="list-style-type: none"> ■ GT AG / GT F / GT FD p. 294 ■ GT WGW / GT WGS / GT AF p. 295 ■ GT W / GT KU / GT KUF p. 296 ■ GT WKU / GT WKUF / GT PF p. 297
Accessories	Fastening <ul style="list-style-type: none"> ■ Inclining adaptor GT NA p. 298 ■ Connecting tubes Ø48 p. 298

Supports arm/equipment carrier system GT 48

Basic information / operating conditions

Surface	standard version in transport grey, RAL7043 powder-coated, other colours upon request
Tube Ø 48	zinc plated steel tube, 48x4, DIN EN 10305
Free cable passage	through fittings and tube 40 mm in diameter
Torque of tube clamp	30 Nm
Protection mode	IP 54 according to DIN 40050 (Foot stand IP 42)

Load diagram



Examples for constructions:



Supports arm/equipment carrier system GT 48

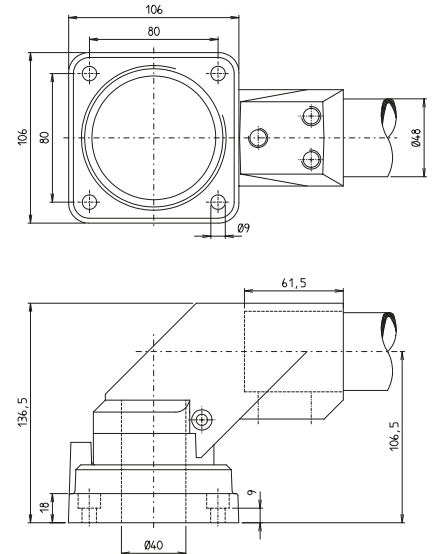
Surface-mounted joint

- Cast aluminium with inner steel tube and flange fastening
- Swing 250°.



GT AG

Code No.	Type	m [g]
194800260G	GT AG 48	2000



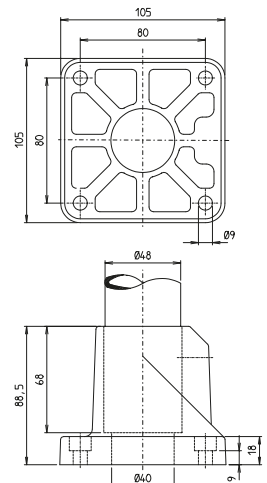
Foot stand:

- Cast aluminium



GT F

Code No.	Type	m [g]
194800240G	GT F 48	722



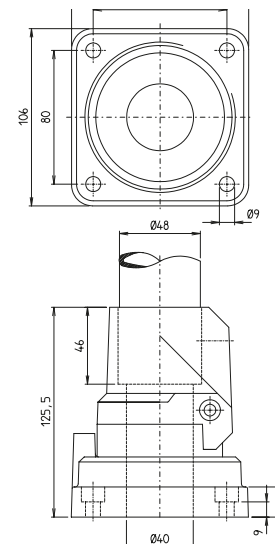
Foot stand, pivoted

- Cast aluminium with inner steel tube and slide bearing.
- Swing 250°.



GT FD

Code No.	Type	m [g]
194800340G	GT FD 48	1787

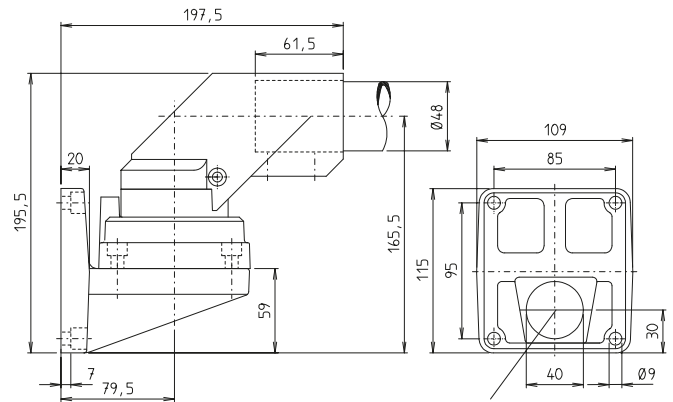


Wall hinge (horizontal)

- Cast aluminium with inner steel tube and slide bearing.
- Swing 250°


GT WGW

Code No.	Type	m [g]
194800270G	GT WGW 48	2851



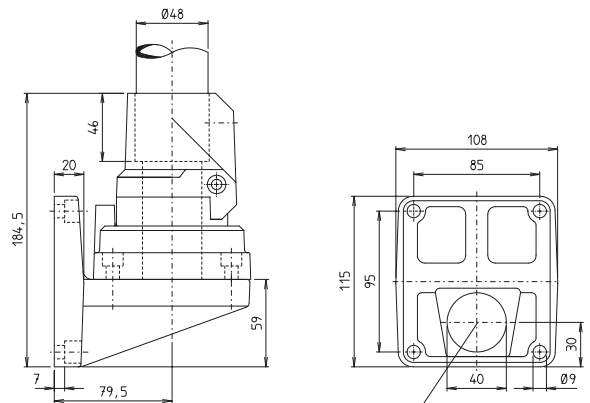
Cable bushing

Wall hinge (vertical):

- Cast aluminium with inner steel tube and slide bearing.
- Swing 250°


GT WGS

Code No.	Type	m [g]
194800310G	GT WGS 48	2627



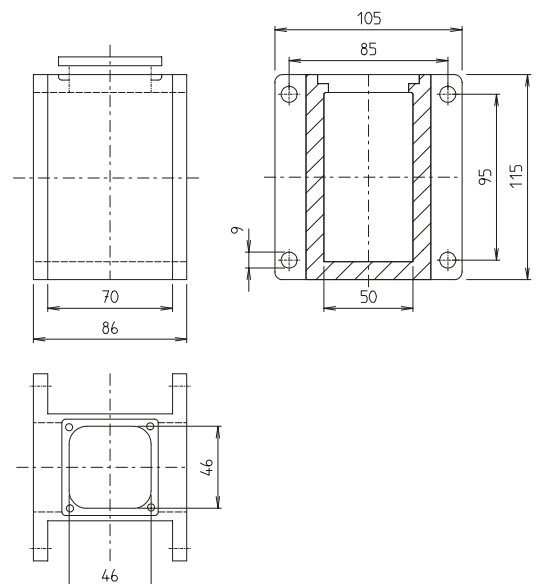
Cable bushing

Adaptor flange:

- Cast steel, in combination with wall hinges as a cable lead-in, from bottom or top


GT AF

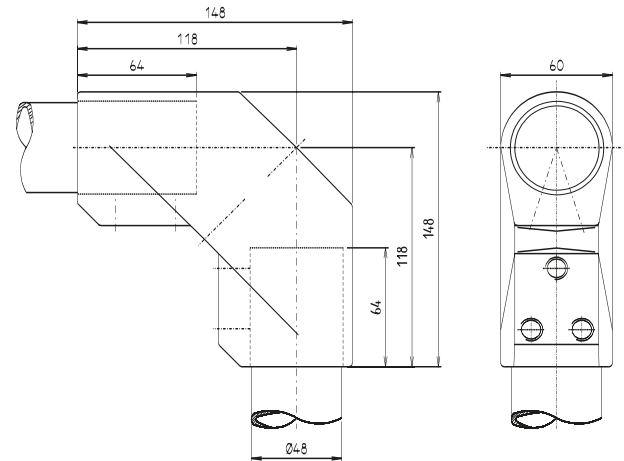
Code No.	Type	m [g]
194800111G	GT AF 48	2038



Supports arm/equipment carrier system GT 48

Elbow:

- Cast aluminium, angle 90°

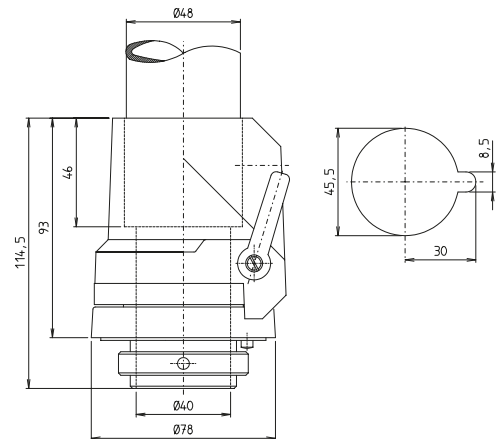


GT W

Code No.	Type	m [g]
194800280G	GT W 48	835

Coupling:

- Cast aluminium with inner steel tube
- Centre of motion infinitely variable using clamping lever
- Fitting through enclosure hole.
- Swing 260°

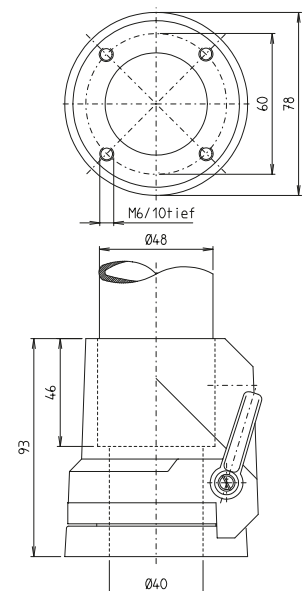


GT KU

Code No.	Type	m [g]
194800320G	GT KU 48	926

Flange coupling:

- Cast aluminium with inner steel tube
- Centre of motion infinitely variable using clamping lever
- Large-surface flange fastening on enclosure
- Swing 260°



GT KUF

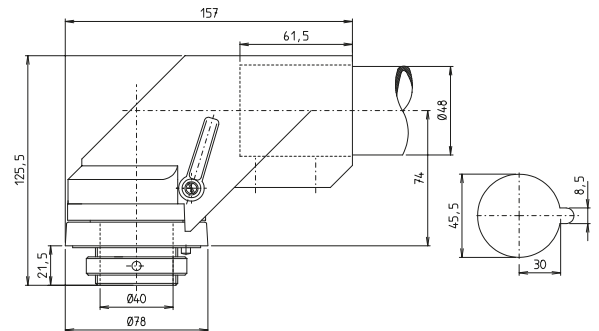
Code No.	Type	m [g]
194800330G	GT KUF 48	814

GT 48
Elbow coupling:

- Combination of coupling and elbow
- Centre of motion infinitely variable using clamping lever
- Fitting through enclosure hole
- Swing 260°


GT WKU

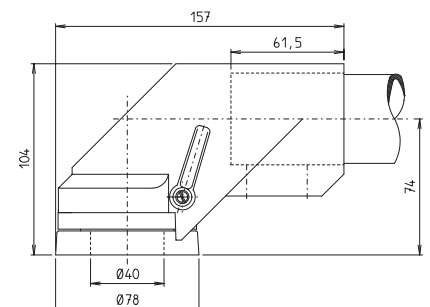
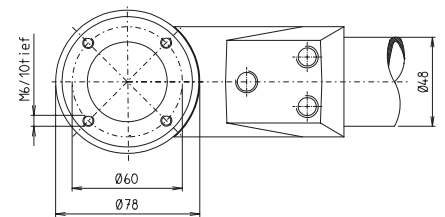
Code No.	Type	m [g]
194800290G	GT WKU 48	1140


Elbow flange coupling:

- Combination of coupling and angle piece
- Centre of motion infinitely variable using clamping lever
- Large-surface flange fastening on enclosure
- Swing 260°


GT WKUF

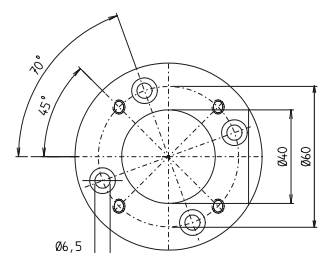
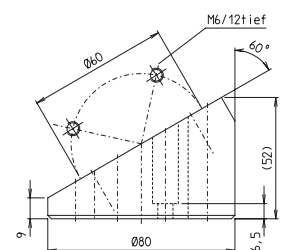
Code No.	Type	m [g]
194800300G	GT WKUF 48	1041


Console flange:

- Cast aluminium
- Slope angle 30°
- Screw fastening to coupling

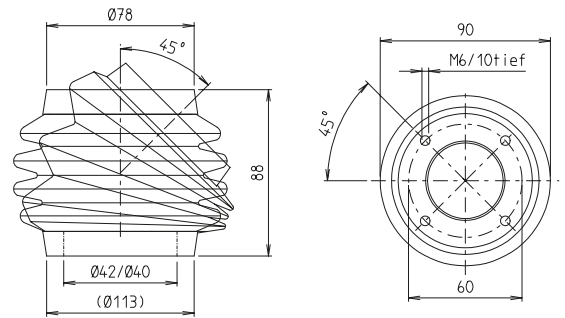

GT PF

Code No.	Type	m [g]
194800170G	GT PF 48	303



Supports arm/equipment carrier system GT 48

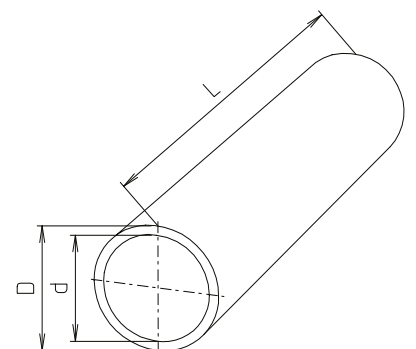
Inclining adaptor



GT NA

Code No.	Type	m [g]
194800250G	GT NA 48	600

Connecting tube



Ø48

[mm]

Code No.	Type	D tol.	d	L max.	m [g]
10094158	48x4	48 ± 0,2	40	5000	4300



Length:
Every length is possible.



Supports arm/equipment carrier system – GT 50, 60, 80



GT AG



GT F



GT WG



GT AF



GT ZG



GT W



GT WКУ



GT WКУF



GT КУ / GT КУF



GT ПА



GT А

Features:

- Variable constructions, consisting of series produced elements, for individual attachment and positioning of control panels. Designed in clear lines the carrier system harmoniously fits in with the modern working environments.
- Free system construction using high-solid functional elements and tubular steel 50x50, 60x60, and 80x80 mm.
- Consistent IP 65 ingress protection up to the control panel is achieved by means of a self-contained tube system with integrated seals in places where the system elements are joined
- Installed cables are protected from damage due to burr-free inner contours, an unrestricted cable passage of 49 cm², and flush joints between tube and system elements
- Swing can be adjusted to on-site requirements using adjustable fittings in the rotary and swivel elements
- Easy alignment of carrier arm using pre-formed tube supports in the elements. Adjusting screws freely accessible without having to remove the bellows
- Adjustment of swing forces to different loads using infinitely variable pivot bearings

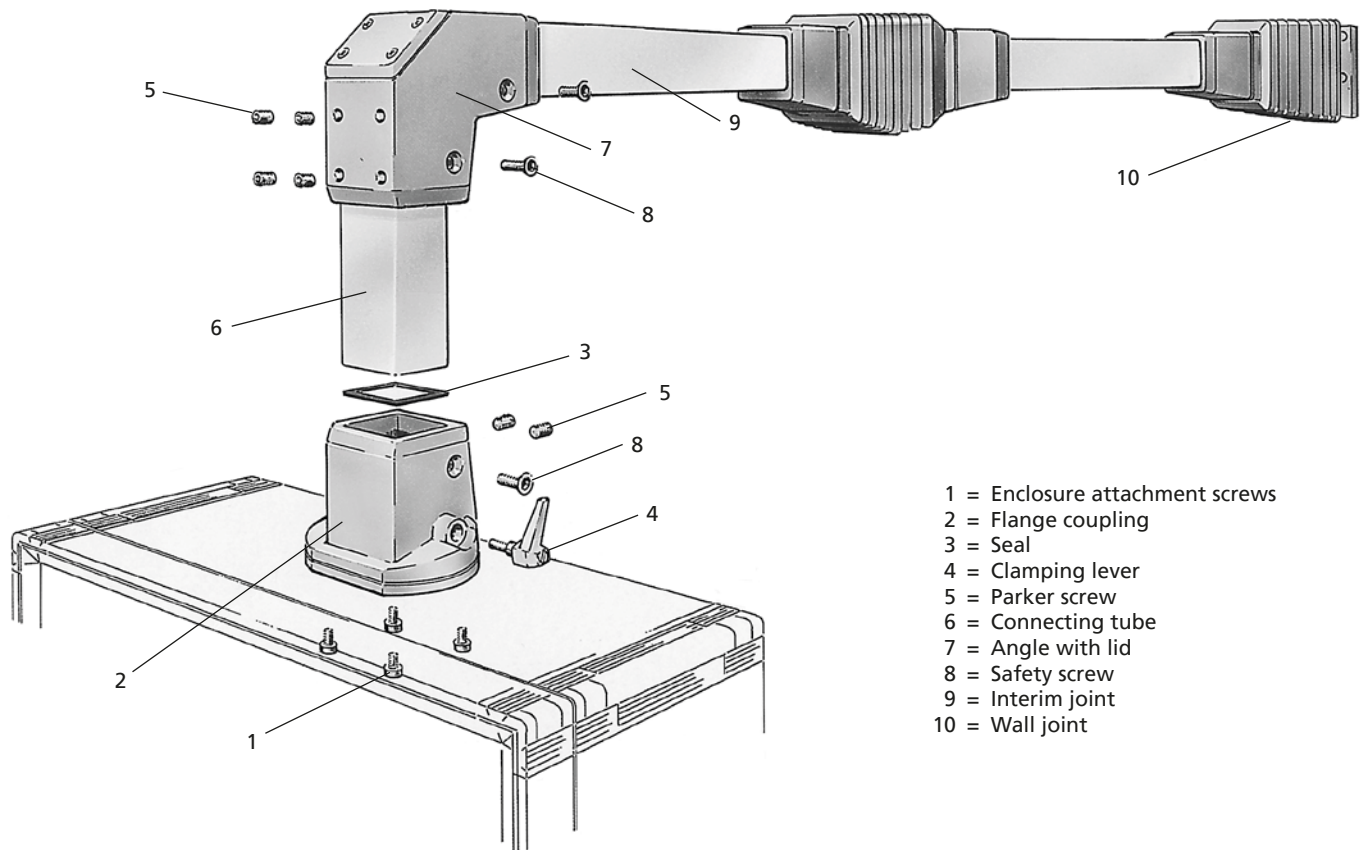
Support arm/equipment carrier system GT □ 50, 60 und 80 – Table of contents

<p>Properties/performance data</p>	<ul style="list-style-type: none"> ■ Technical data p. 302 ■ Examples for system constructions p. 303
<p>Versions (Dimensions, code numbers)</p>	<ul style="list-style-type: none"> ■ GT AG / GT F p. 304 ■ GT WG / GT AF p. 305 ■ GT ZG / GT W p. 306 ■ GT WKU / GT WKUF p. 307 ■ GT KU / GT KUF p. 308 ■ GT PA / GT A p. 310
<p>Accessories</p> <p style="text-align: right;">Fastening</p>	<ul style="list-style-type: none"> ■ Square connecting tubes □ 50, 60 , 80 p. 311

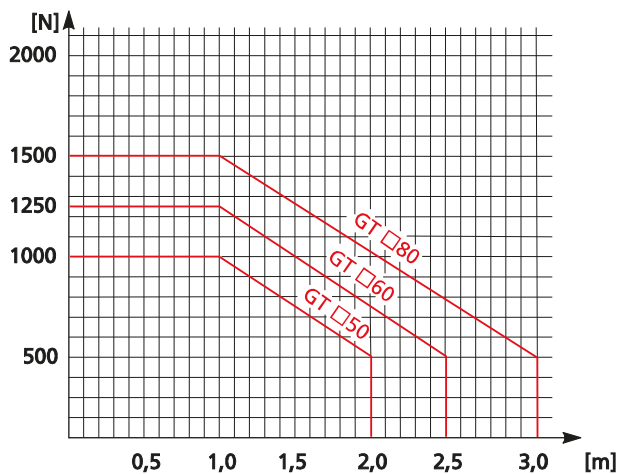
GT 50, 60, 80 – Technical data

Basic information / operating conditions

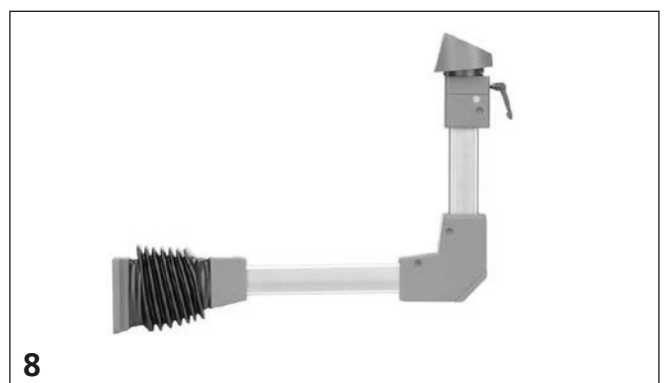
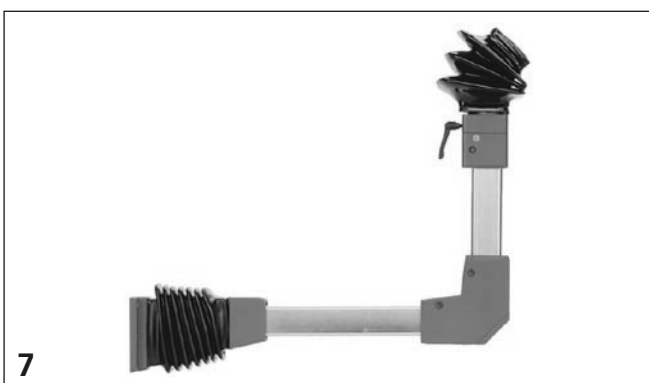
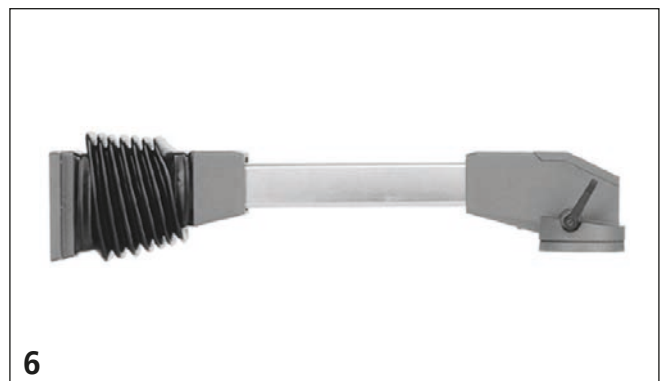
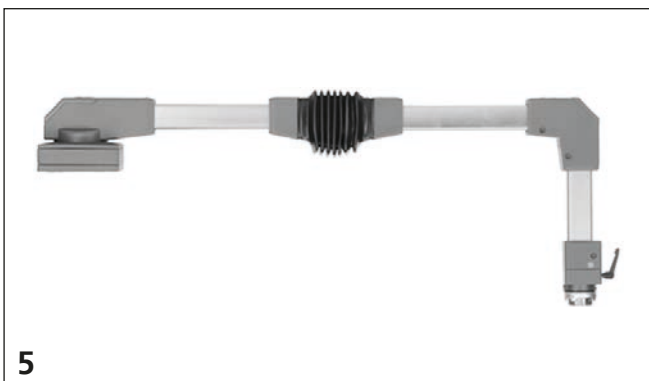
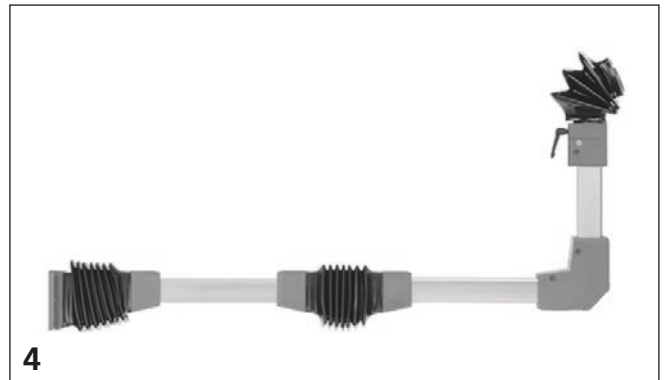
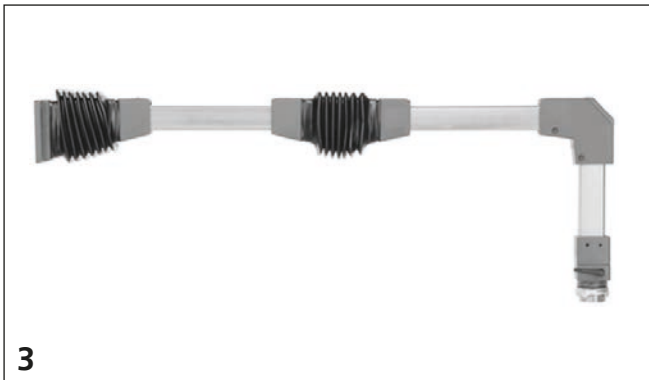
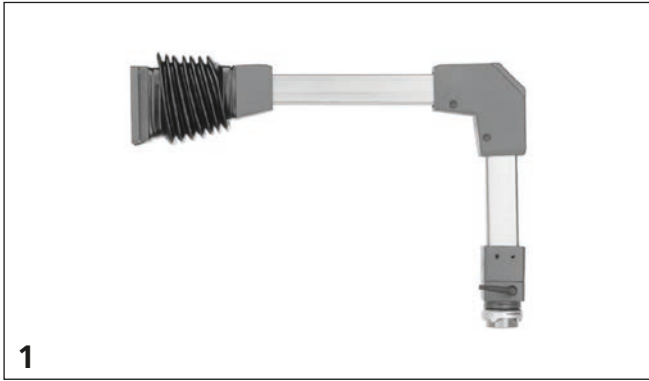
Surface	standard version in transport grey, RAL7043 powder-coated, other colours upon request
tube Ø 48	zinc plated steel tube, DIN 2395
Free cable passage	□ 50 = 40x40 mm / □ 60 = 50x50 mm / □ 80 = 70x70 mm
For tube clamping	30 Nm
Protection mode	IP 65 according to DIN 40050



Load diagram



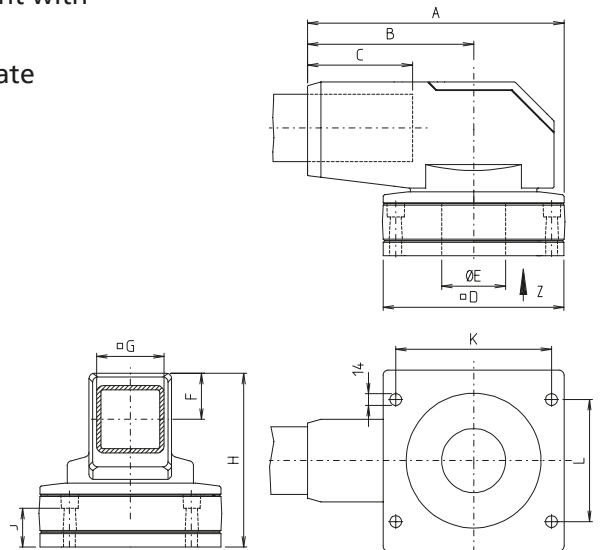
Examples for system constructions:



Supports arm/equipment carrier system – GT 50, 60, 80

Surface-mounted joint:

- Cast steel joint for use on mounting surfaces and for suspension mounting (ceiling mounting)
- Slide bearing with swing of 310°, infinitely variable between 0° and 270°
- Force of swing adjustable by means of a set screw. Tube clamping and alignment with self-tapping set screws
- Mounting lid to facilitate wiring



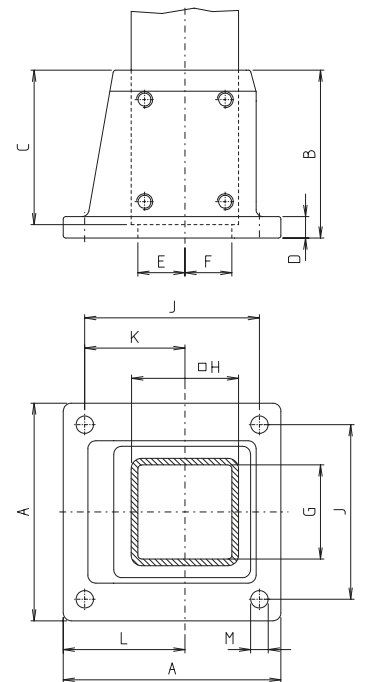
GT AG

[mm]

Code No.	Type	A	B	C	D	E	F	G	H	J	K	L	m [g]
195000261G	GT AG 50	251	160	95	180	50	39,5	50	151	35	150	116	1400
196000261G	GT AG 60	278	179,5	110	195	58	44,5	60	171	38	165	125	1820
198000261G	GT AG 80	306	197,5	125	215	76	54,5	80	206	46	185	145	2330

Foot stand:

- Cast steel element for floor mounting
- Tube clamping and alignment with self-tapping set screws



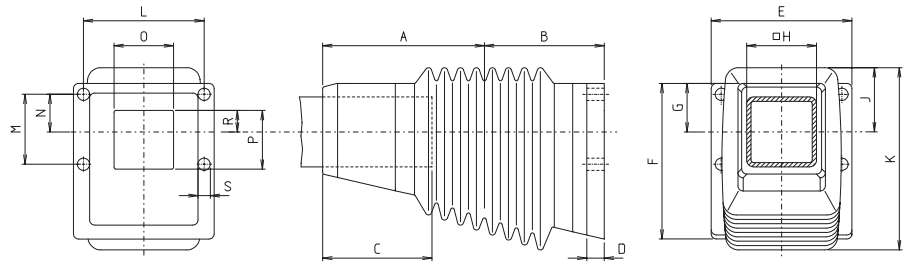
GT F

[mm]

Code No.	Type	A	B	C	D	E	F	G	H	J	K	L	M	m [g]
195000351G	GT F 50	128	90	80	12	20,5	19,5	40	50	100	57	71	12	3000
196000351G	GT F 60	138	100	90	14	25,5	24,5	50	60	110	63	77	12	3900
198000351G	GT F 80	162	115	105	16	35,5	34,5	70	80	130	74,5	90,5	14	6000

Wall hinge:

- Steel elements with slide bearing
- Swing 180°, stepped adjustment using variable fittings
- Force of swing adjustable using bearing screw. Tube clamping and alignment with selftapping set screws
- PVC bellows for dust and water protection

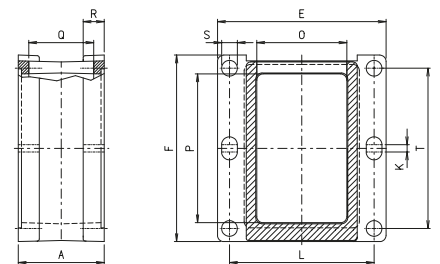

GT WG

[mm]

Code No.	Type	A	B	C	D	E	F	G	H	J	K	L	M	N	O	P	R	S	m [g]
195000271G	GTWG50	140	90	95	12	132	125	40	50	58	164	107	50	27,5	48	35	11	12	6300
196000271G	GTWG60	162	102	110	15	140	145	45	60	62	176	115	60	32,5	57	44,5	15	12	9100
198000271G	GTWG80	185	137	125	20	161	178	56	80	75	210	138	80	43,5	68	67	25	14	13000

Adaptor for wall hinge:

- Cast steel adaptor to be mounted between wall hinge and mounting surface
- Removable lead-in plate makes wiring possible from below.


GT AF

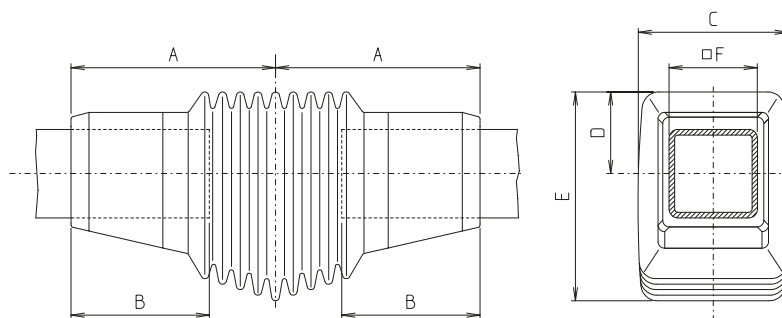
[mm]

Code No.	Type	A	E	F	K	L	O	S	T	P	Q	m [g]
195000111G	GT AF 50	66	132	125	0	107	107	12	100	89	46	5000
196000111G	GT AF 60	72	140	145	0	115	115	12	120	109	52	6500
198000111G	GT AF 80	82	161	178	7	138	86	15	153	142	62	6000

Supports arm/equipment carrier system – GT 50, 60, 80

Linking joint:

- Cast steel pivoted joint with slide bearing.
- Swing 180°, stepped adjustment using variable fittings.
- Force of swing adjustable using bearing screw. Tube clamping and alignment with self-tapping set screws.
- PVC bellows for dust and water protection.



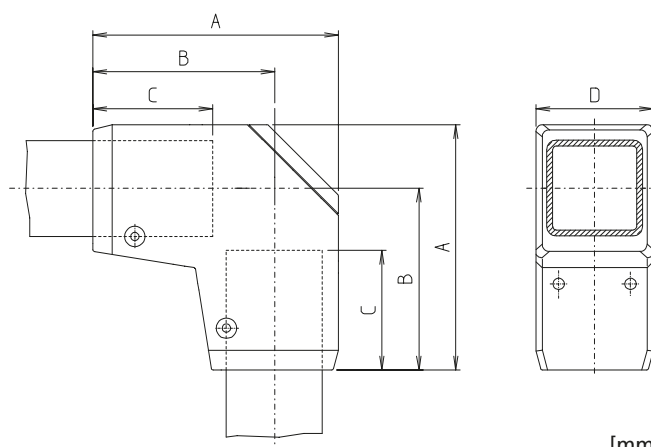
GT ZG

[mm]

Code No.	Type	A	B	C	D	E	F	m [g]
195000241G	GT ZG 50	140	95	107	58	152	50	6200
196000241G	GT ZG 60	162	110	114	62	162	60	8900
198000241G	GT ZG 80	185	125	136	75	190	80	1270

Elbow:

- Angle 90°, cast steel.
- Tube clamping and alignment with self-tapping set screws.
- Additional safety screw especially for vibration-caused strain.
- Mounting lid to facilitate wiring.



GT W

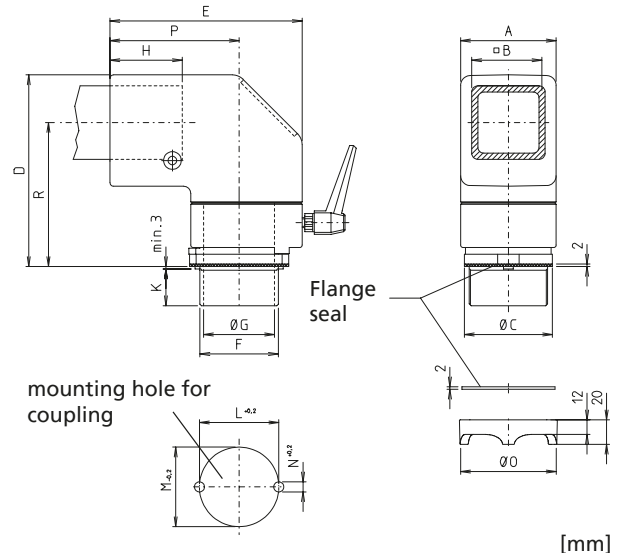
[mm]

Code No.	Type	A	B	C	D	m [g]
195000281G	GT W 50	154	115	80	74	4500
196000281G	GT W 60	172	128	90	84	5800
198000281G	GT W 80	210	157	105	98	8000

Elbow coupling:

- Combination of coupling and elbow.
- Cast aluminium.
- Fitting through enclosure hole
- Attachment to connecting tube with self-tapping set screws.
- Additional safety screw for high loads.

- Durable PA bearing. Friction force of swing adjustable. Centre of motion freely adjustable with clamping lever.
- Swing 300°.

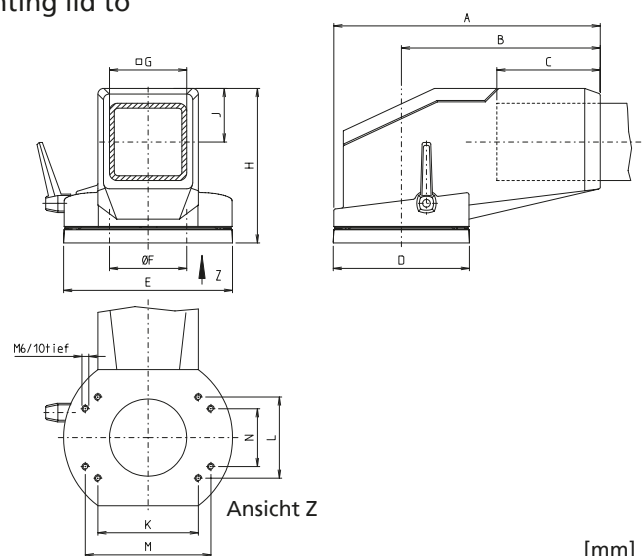

GT WKU


Code No.	Type	A	B	C	D	E	F	G	H	K	L	M	N	O	P	R	m [g]
195000291G	GT WKU50	66	50	62	140	140	M50x2	44,5	47	31	50,8	51	8,2	65	95	104	2200
196000291G	GT WKU60	78	60	72	157	157	M64x2	56	61	31	64,8	65	8,2	80	105,5	118	3200
198000291G	GT WKU80	104	80	104	199	200	M90x2	80	72	34	90,8	91	10,2	111	137	149	5700

Elbow Flange coupling:

- Cast aluminium rotary joint for direct attachment of control-panel to horizontal carrier arm.
- Slide bearing with 325° swing, can be arrested at intervals of 25°.

- Clamping lever to adjust force of movement and to arrest swinging movement. Tube clamping with self-tapping Allen screws. Mounting lid to facilitate wiring

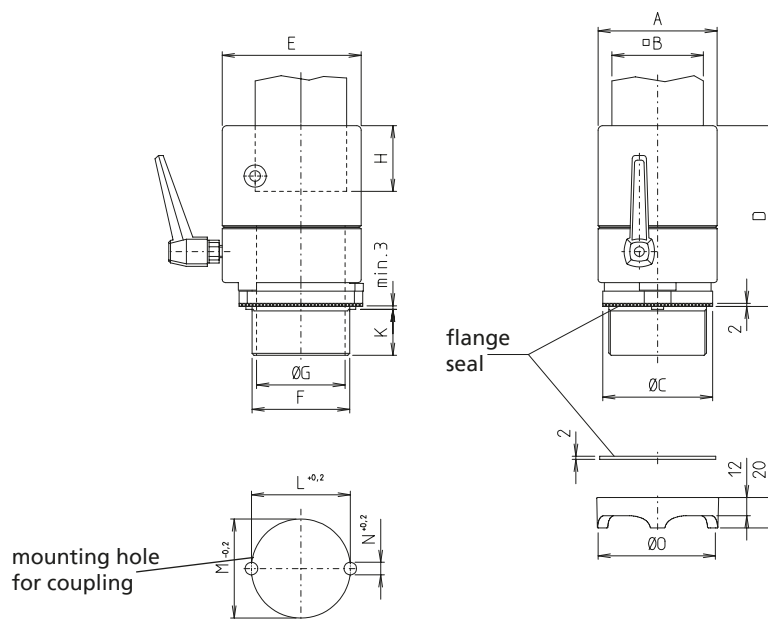

GT WKUF


Code No.	Type	A	B	C	D	E	F	G	H	J	K	L	M	N	m [g]
195000301G	GT WKUF 50	187,5	134	80	107	131	48	50	118	39,5	77	57	-	-	2600
196000301G	GT WKUF 60	216,5	158	90	117	141	58	60	131	42,5	77	57	-	-	3600
198000301G	GT WKUF 80	276,5	206	107	141	175	80	80	160	55,5	104	84	130	60	5600

Supports arm/equipment carrier system – GT 50, 60, 80

Coupling:

- Cast aluminium with inner steel tube
- Fitting through enclosure hole. Attachment to connecting tube with self-tapping set screws.
- Additional safety screw for high loads
- Durable PA bearing.
- Friction force of swing adjustable. Centre of motion infinitely variable using clamping lever.
- Swing 300°



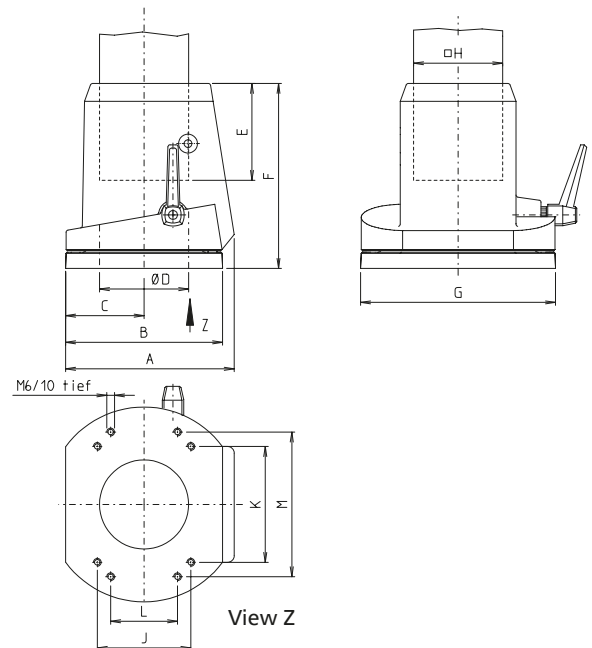
GT KU

[mm]

Code No.	Type	A	B	C	D	E	F	G	H	K	L	M	N	O	m [g]
195000321G	GT KU 50	66	50	62	99,5	82	M50x2	44,5	32	31	50,8	51	8,2	65	1800
196000321G	GT KU 60	78	60	72	118,5	91	M64x2	56	45	31	64,8	65	8,2	80	2400
198000321G	GT KU 80	104	80	104	145,5	115	M90x2	80	49	34	90,8	91	10,2	111	3400

Flange coupling:

- Cast aluminium rotary device for attachment to the control panel.
- Slide bearing with 325° swing, adjustable at intervals of 25°.
- Clamping lever to adjust force of movement and to arrest swinging movement.
- Tube clamping with self-tapping set screws.
- Additional safety screw especially for vibration-caused strain.


GT KUF

[mm]

Code No.	Type	A	B	C	D	E	F	G	H	J	K	L	M	m [g]
195000331G	GT KUF 50	110	107	53,5	48	55	116	131	50	57	77	–	–	2100
196000331G	GT KUF 60	124	117	59,5	58	65	136,5	141	60	57	77	–	–	2800
198000331G	GT KUF 80	151	141	70,5	80	87	166	175	80	84	104	60	130	4900

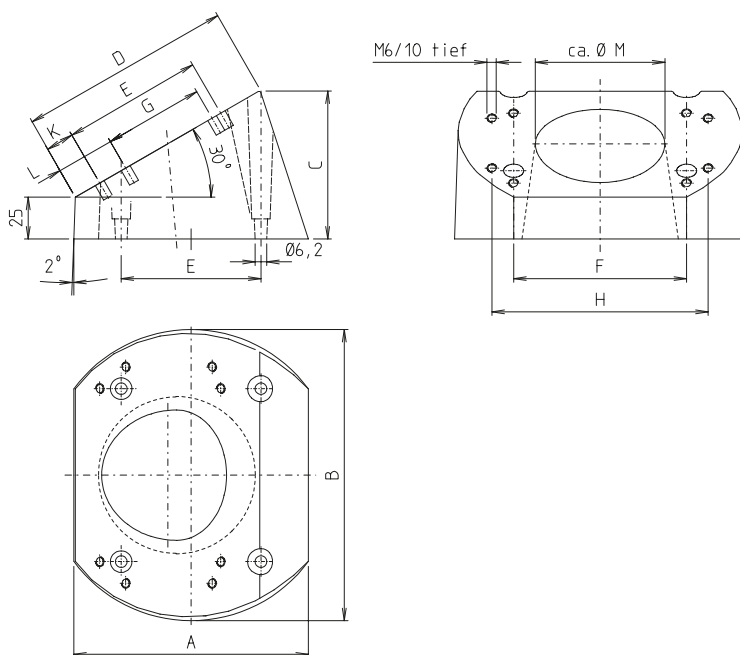
Supports arm/equipment carrier system – GT 50, 60, 80

Console adaptor:

- Cast aluminium
- 30°-inclination for flange coupling 50, 60, 80



GT PA



[mm]

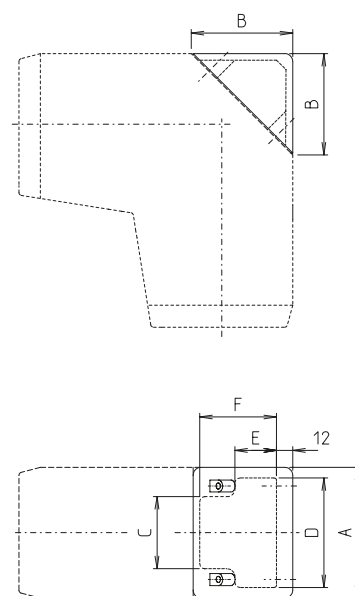
Code No.	Type	A	B	C	D	E	F	G	H	K	L	M	m [g]
195000160G	GT PA 50	107	131	71	92	57	77	–	–	14	–	50	800
196000160G	GT PA 60	117	141	76	102	57	77	–	–	18	–	60	1000
198000160G	GT PA 80	141	175	89	128	84	104	60	130	17	35	80	1700

Signal fitting:

- Cast aluminium
- For mounting signal lamps



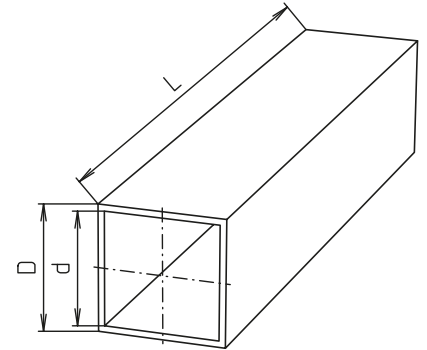
GT A



[mm]

Code No.	Type	A	B	C	D	E	F	m [g]
195000310G	GT A 50	74	60	36	54	29	38	300
196000310G	GT A 60	84	65	40	62	32	43	400
198000310G	GT A 80	98	76	54	82	42	54	600

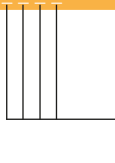
Square Connecting tubes



□ 50, 60, 80

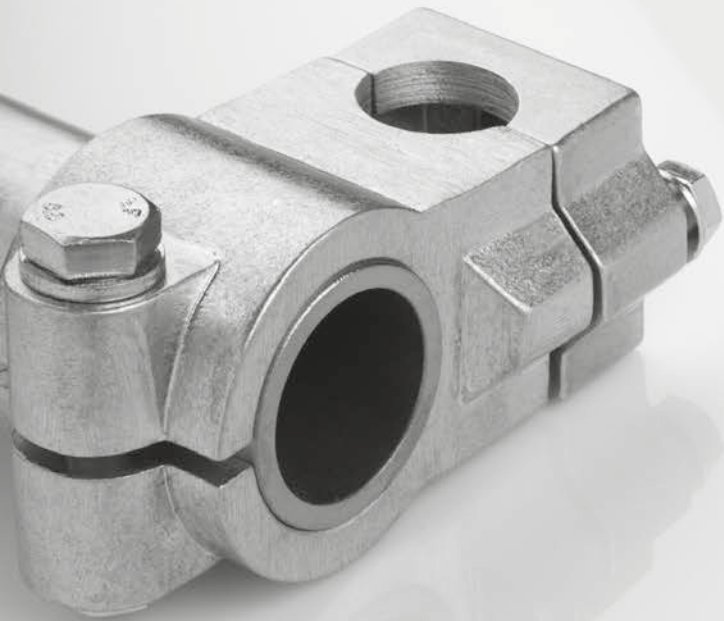
[mm]

Code No.	Type	D tol.	d	L max.	m [g]
10094156_ _ _ _	50x5	50 ± 0,3	40	3000	6900/m
10094157_ _ _ _	60x5	60 ± 0,4	50	3000	8500/m
10094159	80x5	80 ± 0,6	70	3000	11600/m



Length:
Every length is possible.





Applications, Index

Applications..... from page 314

Index from page 318

Appendix

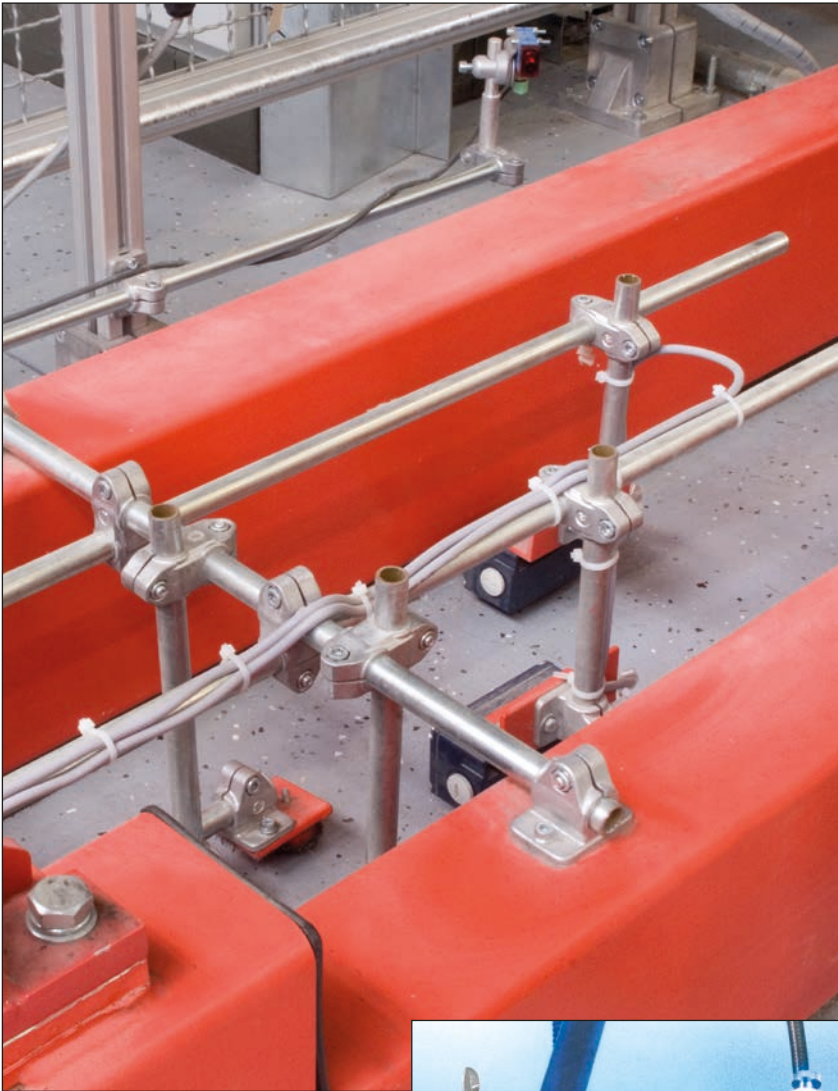
Applications



Frame for a labelling machine.



Working platform with ITAS railing



Logistic system at RK Rose+Krieger – holder for sensors.



Airbrush holder with cross clamping pcs and clamping levers.

Applications



Basic frame for
pipe system of fluids or gases

Monitor mountings



Material shuttle

- A**
- About Us 4
 - Accessories ITAS 254
 - Accessories light clamps 52
 - Accessories light solid robust 216-230
 - Adaptor flange for wall hinge GT 50 60 80 304
 - Adaptor flange GT 48 292
 - Adhesion force 29, 59, 75, 97, 119, 129,
..... 139, 145, 163, 175, 209
 - Adjustable feet 228
 - Aluminium bars 223
 - Aluminium profile 224
 - Aluminium tube ITAS 255
 - Aluminium tubes 222
 - Angle clamps light 36
 - Angle clamps robust 213
 - Angle clamps solid 78-94
 - Angle plate 256
 - Appendix 312
 - Applications 314
 - Axially parallel tube connector light clamps..... 32
 - Axially parallel tube connector robust clamp 210
 - Axially parallel tube connector solid clamps..... 138
- B**
- Ball joints 17, 196
 - Base clamps light 26
 - Base clamps robust 214
 - Base clamps solid 96
 - Basic information GT 48 292
 - Basic information GT 50 60 80 302
 - Bending moment 29, 59, 75, 97, 119,
..... 129, 139, 145, 163, 175, 209
 - Block form 67-70, 82-88, 108-115,
..... 123-125, 134, 143, 151-155, 186-194
 - Building regulations ITAS 237
- C**
- CAD 6
 - Castors 229
 - Clamping lever 230
 - Comprehensive view light clamps 32
 - Comprehensive view robust clamps 210
 - Connecting Circle 12
 - Connecting tube 298
 - Console adaptor GT 50 60 80 310
 - Console flange GT 48 297
 - Corner joint 241
 - Corner T-joint 241
 - Coupler 240
 - Cross clamps light 34
 - Cross clamps robust 212
 - Cross clamps solid 58-73
 - Cross clamps solid overview 60
- D**
- Dismantling of quick change system 249
- E**
- Elbow coupling GT 48 297
 - Elbow coupling GT 50 60 80 307
 - Elbow Flange coupling 50 60 80 307
 - Elbow flange coupling GT 48 297
 - Elbow GT 48 296
 - Elbow GT 50 60 80 306
 - Enquiry form ITAS 263
 - Examples for system constructions GT48 293
 - Examples for system constructions GT 50 60 80 .. 303
- F**
- Fixed wheels 229
 - Flange clamps light 39-40
 - Flange clamps robust 215
 - Flange clamps solid 144-160
 - Flange coupling GT 48 296
 - Flange coupling GT 50 60 80 309
 - Foot stand GT 50 60 80 304
 - Foot stand GT 48 294
 - Foot stand pivoted 294
- H**
- Hinge clamps light 43-45
 - Hinge clamps solid 174-190
 - How to use 2
- I**
- Inclining adaptor 298
 - Industrial design solid clamps 62-66, 78-81,
..... 100-107, 122, 132-133, 142-143
 - inforvan..... 6
 - Insert clamps..... 118-126
 - Insert nut 231
 - Internal tension system ITAS 238-246
 - ITAS 232-263
 - ITAS overview 20
- L**
- Level of service 8
 - Light Clamps 14, 24-53
 - LINEAR TECHNOLOGY 5
 - Load diagram supp. arm sys. GT 50 60 80 302
 - Load diagram supp. arm sys. GT 48 292
 - Loads angle clamps solid 75
 - Loads base clamps solid 97
 - Loads cross clamps solid 59
 - Loads flange clamps solid 145
 - Loads hinge clamps solid 175
 - Loads insert clamps solid 119
 - Loads ITAS 237
 - Loads light clamps 29
 - Loads parallel clamps solid 139
 - Loads robust clamps 209
 - Loads sleeve clamps solid 129
 - Loads strap clamps solid 163

M	MODULE TECHNOLOGY	5
	Monitor mounting	266
	Monitor floor stand adjustable	278
	Multi-piece elements light clamps	28
	Multi-piece elements solid clamps	58, 74, 96, 118, 128, 144, 162, 174
O	Online selection guide	23
	Order information light clamps	30
	Our product range	5
P	Parallel clamps solid	138-143
	Phoenix Mecano	4
	PROFILE TECHNOLOGY	5
	pull-back spring	246
Q	quad elements	71-73, 90-95, 116-117, 126, 135-137, 156-160,
	Quick change system ITAS	248-252
R	Reducing bushes light clamps	30
	Resistance to chemicals	50
	Right angle tube connector light clamps	26, 32
	Right angle tube connector robust clamps	206, 210
	Right angle tube connector solid clamps	56, 60, 76, 98, 120, 210
	RK monitor mounting	266-281
	Robust Clamps	204-215
	Robust Clamps overview	18
	Round tube stopper	226
S	Sectional views hinge clamps	195
	Selection guide	9-23
	Signal fitting GT 50 60 80	310
	Single-piece elements light clamps	28
	Single-piece elements solid clamps	58, 74, 96, 118, 128, 138, 144, 162, 174, 208
	Site plate	259
	Sleeve clamps light	38
	Sleeve clamps solid	128-137
	Smartphone holder	285
	Solid Clamps	54-195
	Solid Clamps overview	16
	Special tube fittings	227
	Spring-return	246
	Square Connecting tubes 50 60 80	311
	Square tube stopper	226
	Stainless steel tubes	220
	Stair corner joint	261
	Stair cross beam profile	257
	Stair joint	260
	Stair railing support	245
	Steel tubes	220

	Step profile	258
	Strap clamps light	41-42
	Strap clamps solid	162-173
	Support arm system GT 50 60 80 overview	300
	Supports arm system GT 48 overview	292
	Surface-mounted joint GT 48	294
	Surface-mounted joint GT 50 60 80	304
T	Table of contents accesories	219
	Table of contents ITAS	235
	Table of contents light clamps	27
	Table of contents robust clamps	207
	Table of contents solid clamps	57
	Technical data GT 48	292
	Technical data GT 50 60 80	302
	Technical data ITAS	236
	Threaded stopper round tube	225
	Threaded stopper square tube	225
	T-joint	240, 242
	Tools / spare parts	261
	Twisting moment	29, 59, 75, 97, 119, 129, 139, 145, 163, 175, 209
W	Wall flange	245
	Wall hinge GT 48	295
	Wall hinge GT 50 60 80	305
	Website	6
	What is Connecting Technology	10
	What we can do for you	6

Whilst every effort has been made to ensure that the information in this catalogue was correct at the time of publication, no responsibility can be accepted for any errors or omissions. Depending on the scale, the images shown in this catalogue may differ in appearance from the real-life versions. This catalogue supersedes all previous catalogues. In the interest of further technical development, we reserve the right to make modifications without prior notice. You can download all the latest catalogue data from our website.