



*Representative photograph, actual product appearance may vary.*

*Due to regional agency approval requirements, some products may not be available in your area. Please contact your regional Honeywell office regarding your product of choice.*

## **BZ-2RW822-A2**

**BZ Series Standard Basic Switch, Single Pole Double Throw Circuitry, 15 A at 125 Vac, Roller Lever Actuator, 1,67 N [6 oz] Maximum Operating Force, Silver Contacts, Screw Termination, CE, CSA, DEMKO, UL**

### Features

- Accepted world-wide standard "Large Basic" switch
- Low operating force and differential travel
- Long mechanical life up to 20,000,000 cycles at 95% survival
- Elongated mounting hole for easier, more accurate mounting
- Current rating ranges from 15 A to 25 A
- Choice of actuation, termination and operating characteristics

### Typical Applications

- Irrigation systems
- Semi-trailer trucks
- Timing devices
- Office equipment
- Test instruments
- Medical/dental equipment
- HVAC equipment
- Manually operated devices
- Valves

### Description

BZ/BA Series Standard Basic Switches are used for simple or precision on/off application needs.

## **BZ-2RW822-A2**

**BZ Series Standard Basic Switch, Single Pole Double Throw Circuitry, 15 A at 125 Vac, Roller Lever Actuator, 1,67 N [6 oz] Maximum Operating Force, Silver Contacts, Screw Termination, CE, CSA, DEMKO, UL**

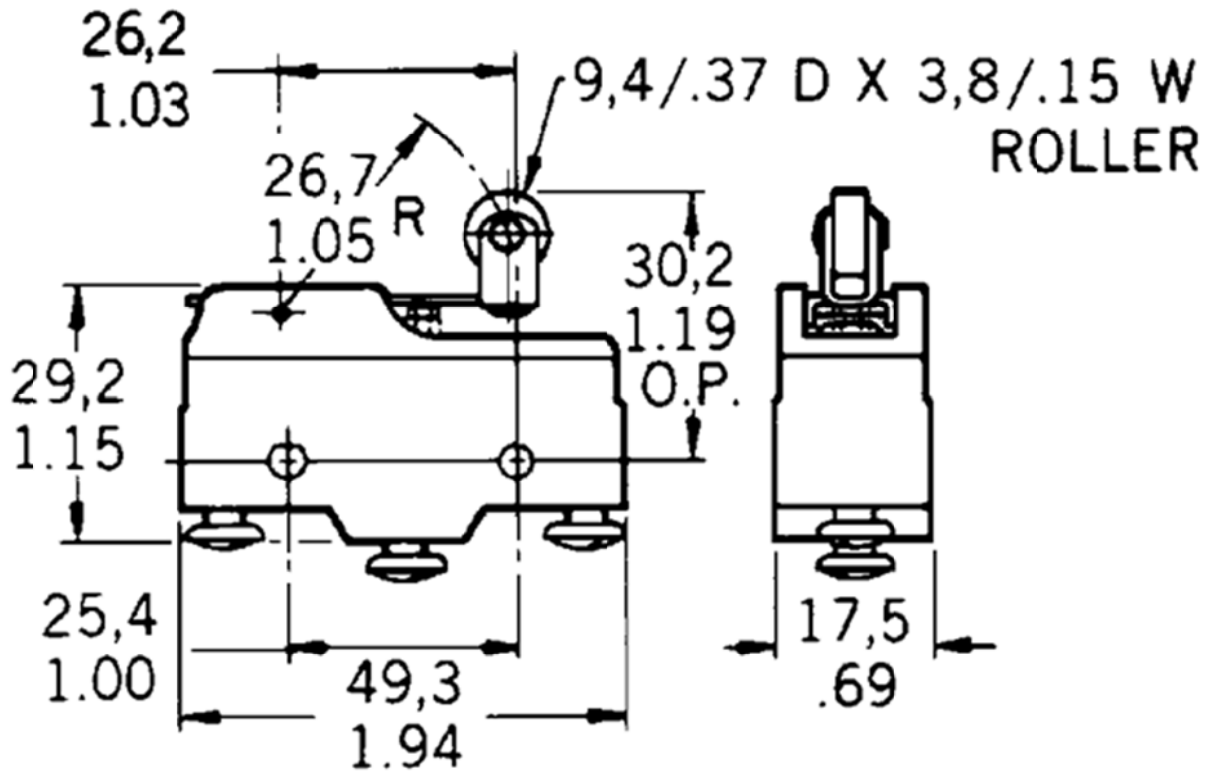
Product Specifications	
Switch Type	Standard 25,4 mm H x 17,8 mm W x 50,8 mm L [1.0 in H x 0.7 in W x 2.0 in L]
Sealed	No
Ampere Rating	15 A

<b>Circuitry</b>	Single Pole Double Throw (SPDT)
<b>Actuator</b>	Roller Lever
<b>Termination</b>	Screw
<b>Operating Temperature Range</b>	-55 °C to 85 °C [-67 °F to 185 °F]
<b>Voltage</b>	125 Vac
<b>Approvals</b>	CE, CSA, DEMKO, UL
<b>Actuator Length</b>	26,06 mm [1.026 in]
<b>Contact Type</b>	Silver
<b>Operating Force (O.F.)</b>	1,67 N [6.0 oz] max.
<b>Release Force (R.F.)</b>	0,42 N [1.5 oz] min.
<b>Overtravel (O.T.)</b>	2,39 mm [0.094 in] min.
<b>Differential Travel (D.T.)</b>	0,08 mm - 0,51 mm [0.003 in - 0.020 in]
<b>Operating Position (O.P.)</b>	30,17 mm ± 0,38 mm [1.188 in ± 0.015 in]
<b>Free Position (F.P.)</b>	32,54 mm [1.281 in] max.
<b>Material</b>	Plastic
<b>Housing Material</b>	General Purpose Phenolic
<b>High Temperature</b>	204 °C [400 °F]
<b>CE mark</b>	61058-1
<b>UL File #</b>	E12252
<b>CSA File #</b>	LR41370
<b>Agency Approvals and Standards</b>	1054
<b>Mounting Screw Size</b>	3,53 mm [0.139 in]
<b>Mounting Centers</b>	25,4 mm [1 in]
<b>Maximum Tightening Torque</b>	0,33 N m [3.0 in lb]
<b>Weight</b>	34,5 g [0.076 lb]
<b>Package Height</b>	24,1 mm [0.95 in]
<b>Package Width</b>	17,5 mm [0.69 in]
<b>Package Length</b>	49,3 mm [1.94 in]
<b>Recommended For</b>	26,7 mm [1.05 in] (steel roller) lever applications
<b>Availability</b>	Global
<b>UNSPSC Code</b>	30211905
<b>UNSPSC Commodity</b>	30211905 Snap switches
<b>Series Name</b>	BZ Series

# Honeywell

## BZ-2RW822-A2

BZ Series Standard Basic Switch, Single Pole Double Throw Circuitry, 15 A at 125 Vac, Roller Lever Actuator, 1,67 N [6 oz] Maximum Operating Force, Silver Contacts, Screw Termination, CE, CSA, DEMKO, UL



# Honeywell

## BZ-2RW822-A2

BZ Series Standard Basic Switch, Single Pole Double Throw Circuitry, 15 A at 125 Vac, Roller Lever Actuator, 1,67 N [6 oz] Maximum Operating Force, Silver Contacts, Screw Termination, CE, CSA, DEMKO, UL

### **⚠ WARNING**

#### **PERSONAL INJURY**

DO NOT USE these products as safety or emergency stop devices, or in any other application where failure of the product could result in personal injury.

**Failure to comply with these instructions could result in death or serious injury.**

 **WARNING**

**MISUSE OF DOCUMENTATION**

- The information presented in this product sheet (or catalog) is for reference only. DO NOT USE this document as product installation information.
- Complete installation, operation and maintenance information is provided in the instructions supplied with each product.

**Failure to comply with these instructions could result in death or serious injury.**

© Copyright Honeywell Inc. 1998-2004 All rights reserved.