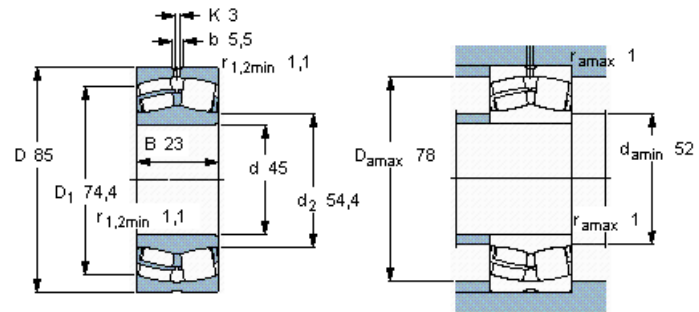


Spherical roller bearings, cylindrical and tapered bore



Principal dimensions			Basic load ratings		Fatigue load limit P_u	Speed ratings		Mass	Designation
d	D	B	dynamic	static		Reference speed	Limiting speed		
mm			kN		kN	r/min	kg		* - SKF Explorer bearing
45	85	23	102	98	10,8	7500	10000	0,58	22209 E *



Calculation factors

$e = 0,26$
 $Y_1 = 2,6$
 $Y_2 = 3,9$
 $Y_0 = 2,5$