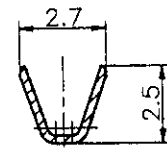
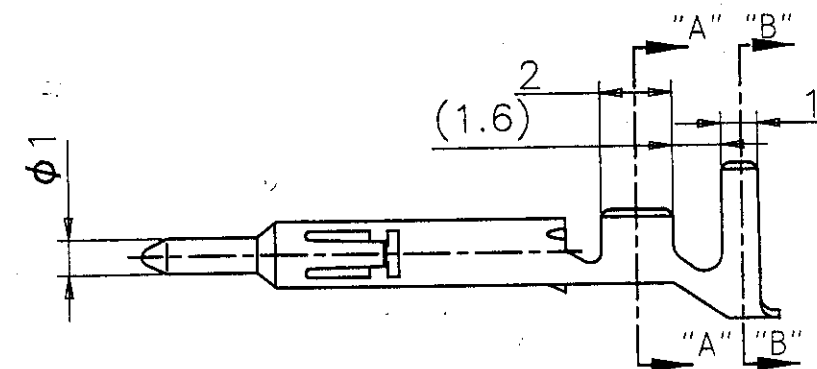
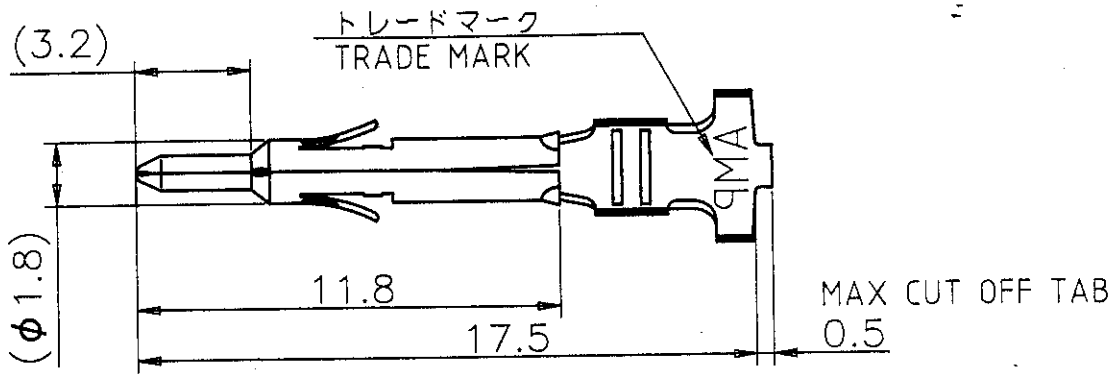
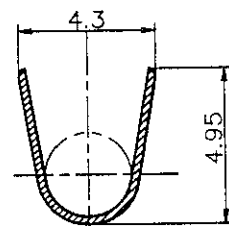


LOC	DIST	REVISIONS			
P	LTR	DESCRIPTION	DATE	DWN	APVD
	B	REDRAWN	FJ00-0272-00	16 FEB '00	A.D. MS



SECT A-A



SECT B-B

注記)

1. 使用ハウジングはキャップ及びプラグ
- △ 製品規格 108-5138, 108-5151
- △ 取付適用規格 114-5050
4. 取扱説明書 411-5105

NOTES)

1. APPLICABLE HOUSING, CAP AND PLUG
- △ PRODUCT SPECIFICATION 108-5138, 108-5151
- △ APPLICATION SPECIFICATION 114-5050
4. INSTRUCTION SHEET 411-5105

171638-1  
型番 (PART NO.)

WIRE RANGE 適合電線径範囲 0.5-1.3mm <sup>2</sup> AWG #20-16	INSULATION DIA 2.0-3.2mm DIA 被覆外径 2.4mm DIA X2
MATERIAL 材料 黄銅 (BRASS): 0.25t	FINISH 仕上 PRE-TIN

DIMENSIONS: 單位 MM	DWN <i>A.D.S.H.</i> 16 FEB '00
TOLERANCES UNLESS OTHERWISE SPECIFIED: 一般公差	CHK <i>M.S.L.</i> 16 FEB '00
± 0.3	APVD <i>M.S.L.</i> 16 FEB '00
ANGLES ± 1°	PRODUCT SPEC 製品規格 表参照 SEE TABLE 2
	APPLICATION SPEC 取付適用規格 表参照 SEE TABLE 3

**AMP** Tyco Electronics AMP K.K.  
Kawasaki, Japan

NAME  
品名 PIN (LOOSE PIECE)  
MINI UNIVERSAL MATE-N-LOK

SIZE	CAGE CODE	DRAWING NO	RESTRICTED TO
A4	00779	C=171638	

CUSTOMER DRAWING	SCALE 尺貫 5:1	SHEET 1 OF 1	REV B
------------------	-----------------	--------------	-------

参考図面

THIS DRAWING IS UNPUBLISHED. BY AMP INCORPORATED. ALL RIGHTS RESERVED. 1996.