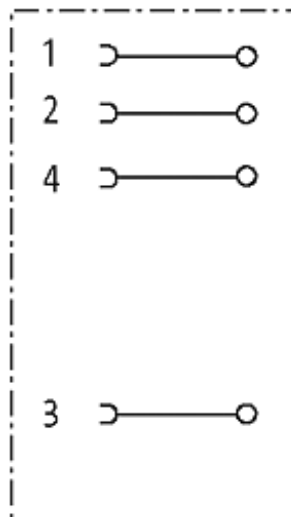
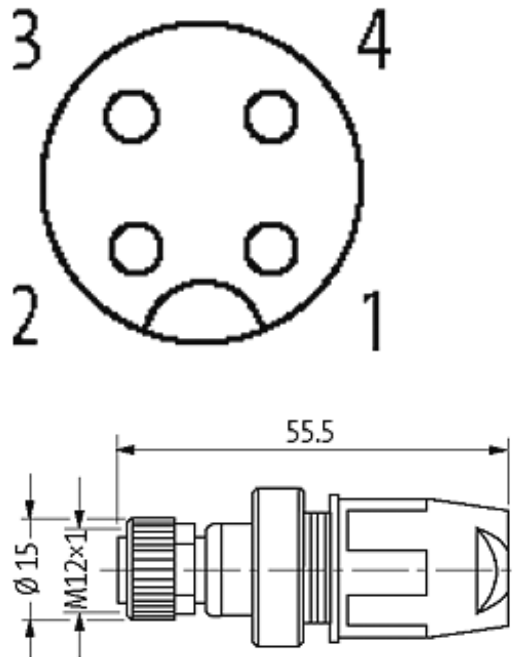


MOSA M12 FEMALE 0° FIELD-WIREABLE (IDC)4-pol. 0.5... 1.0mm²

Plastic housings with good resistance against chemicals and oils. The resistance to aggressive media should be individually tested for your application. Further details on request.

[Link to Product](#)**Illustration**

Female



Product may differ from Image

Form

Form 12641

Technical Data

Operating voltage	max. 32 V AC/DC
Operating current per contact	max. 4 A
Connection cross section	0.5...1.0 mm ² (conductor diameter min. 0.1 mm)
Sealing range (cable Ø)	5.5...8 mm
Wire isolation	PVC, PP, T PE
Outer wire Ø	1.6...2.0 mm
Protection	IP67 inserted and tightened (EN 60529)
Locking of ports	Screw thread M12 × 1 mm (recommended torque 0.6 Nm) self-securing

General data

Temperature range	-25...+85 °C
Dimensions H × W × D	55×22×22 mm

Commercial data

country of origin	DE
customs tariff number	85366990
EAN	4048879201711
eClass	27279221
minimum order quantity	1

