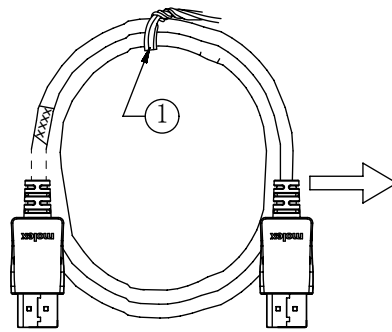


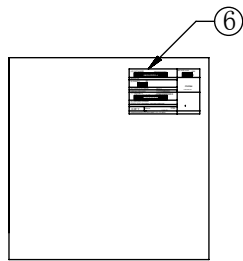
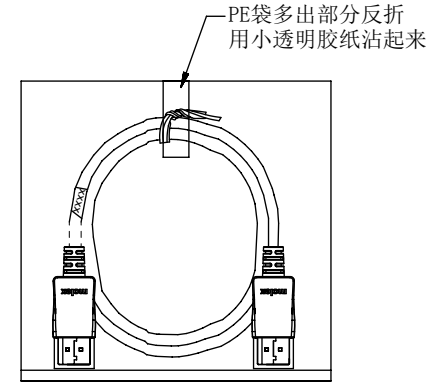
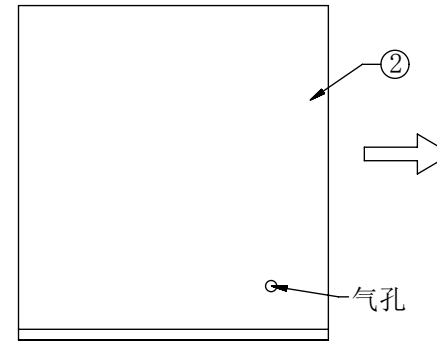
REVISIONS				
EC NO	DATE	REV	DESCRIPTION	CHANGER
	2018/12/20	A	INITIAL RELEASE	DLI50
NA	2019/01/18	A2	ADD PACKING METHOD 6	DLI50
	2019/03/28	B	UPDATE PACKAGE METHOD PER ACTUAL PACKAGE	DLI50

装箱方式:

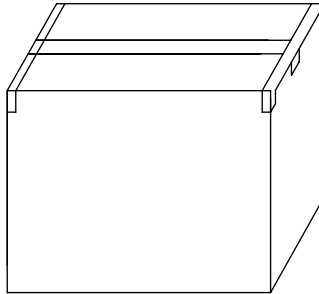
1. 如上图扎线
2. 将检验好的产品单条装入PE袋内, PE袋多出部分反折用小透明胶纸沾起来;
3. 先在箱内放一个防水袋和一块隔板, 将产品整齐摆放在箱内, 25PCS一层, 层与层之间用隔板隔开, 一箱装50PCS, 放一包干燥剂, 最上面一层再放一块隔板;
4. 将防水袋折叠好, 用透明胶纸封口
5. 用封箱胶纸以工字型封箱;
6. 在外箱其中一侧唛右上角贴一出货标签
7. 外箱贴UL标签



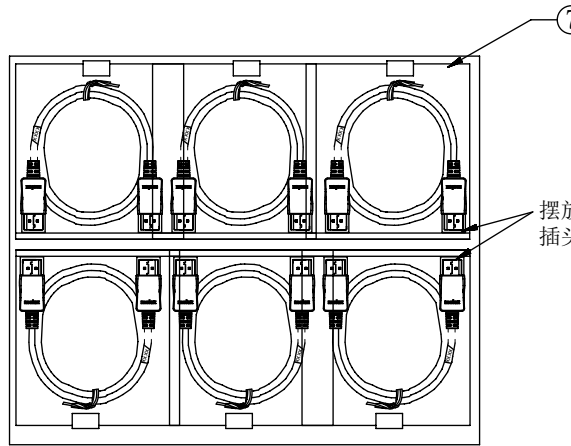
绕线圈数: 上7圈, 下6圈



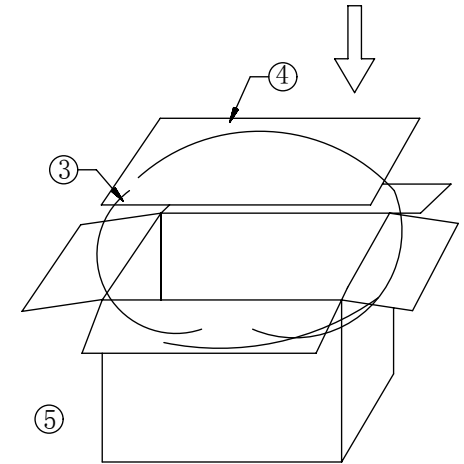
侧唛



正唛



摆放时, PE袋折叠面朝下
插头对插头摆放



序号	零件名称	规格说明	数量
7	干燥剂	干燥剂	1/50
6	标签	空白铜版自贴纸:L127*W76mm	1/50
5	纸箱	纸箱: L485*W385*H230mm 材质(K=K) 红色印字	1/50
4	隔板	隔板: 470*370*3mm 材质(B33)	3/50
3	防水袋	防水袋L915mm*W813mm*0.04mm (813为开口方)	1/50
2	PE袋	PE袋: L240mm*W170mm*0.08mm (170mm为开口方) 无印字有气孔	1
1	扎带	椭圆形PE, 黑色有芯扎带 L=130mm	1

THIS DRAWING CONTAINS INFORMATION THAT IS PROPRIETARY TO MOLEX ELECTRONIC TECHNOLOGIES, LLC AND SHOULD NOT BE USED WITHOUT WRITTEN PERMISSION										
SYMBOLS		DIMENSION UNITS		SCALE		CURRENT REV DESC:				
∇ = 0	mm	1:1	GENERAL TOLERANCES (UNLESS SPECIFIED)							
E = 0	ANGULAR TOL ± °		EC NO: 614529							
F = 0	4 PLACES ±		DRWN: DLI50 2019/03/28							
S = 0	3 PLACES ±		CHK'D: DLI50 2019/03/28							
▼ = 0	2 PLACES ±		APPR: CLAN01 2019/04/10							
∇ = 0	1 PLACE ±		INITIAL REVISION:							
⊠ = 0	0 PLACES ±		DRWN: DLI50 2018/12/21							
■ = 0	DRAFT WHERE APPLICABLE MUST REMAIN WITHIN DIMENSIONS		THIRD ANGLE PROJECTION		DRAWING		SERIES		MATERIAL NUMBER	
∇ = 0			A4-SIZE		68783		687830080		CUSTOMER	
						DOCUMENT NUMBER		DOC TYPE DOC PART REVISION		
						687830080		PDD PK B		
DOCUMENT STATUS						RELEASE DATE		SHEET NUMBER		
P1						2019/04/10 07:52:37		1 OF 1		