

PERFECT cable gland

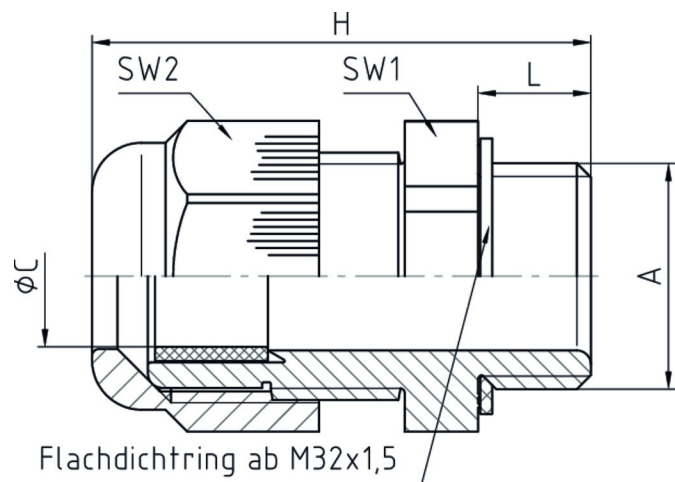
50.6xx PA/FLzzzz

Dome nut	Polyamide PA6 V-0
Sealing ring	Polychloroprene-Nitrile rubber CR/NBR
Gland body	Polyamide PA6 V-0
Connecting thread	metric, as per EN 60423



Properties

	<ul style="list-style-type: none"> for superior claims on firing protection Polyamide material fulfills UL 94 V-0 and EN 45545-2, R22:HL3 / R23: HL3 integrated anchorage wide sealing and clamping range easy-to-install UV- and weather resistance according UL 514B
Temperature range	-20 °C / +100 °C (dynamic) -40 °C (static, short term)
Protection grade	IP68
Test standard	UL 514B
DNV GL Certificate	TAE000037X
UL / CSA-File	E140310
Comment	details about tests results - see annex, hexagonal locknuts of polyamide PA6 V-0 see 50.2xx PA/FLzzzz, Catalog Page 47




Features



RAL 9005

Connecting thread standard length


A	ØC	L	SW1	SW2	H	VPE	Part No.
M12x1,5	3 - 6,5	8	15	15	31	100	50.612 PA/FLSW
M16x1,5	5 - 10	8	20	20	35,5	100	50.616 PA/FLSW
M20x1,5	8 - 13	8	24	24	36	100	50.620 PA/FLSW
M25x1,5	11 - 17	8	29	29	43	50	50.625 PA/FLSW

A	ØC	L	SW1	SW2	H	 VPE	Part No.
M32x1,5	15 - 21	10	36	36	50	25	50.632 PA/FLSW
M40x1,5	19 - 28	10	46	46	51	10	50.640 PA/FLSW
M50x1,5	27 - 35	12	55	55	61,5	5	50.650 PA/FLSW
M63x1,5	32 - 42	12	68	68	65,5	5	50.663 PA/FLSW



RAL 7035


Connecting thread standard length

A	ØC	L	SW1	SW2	H	 VPE	Part No.
M12x1,5	3 - 6,5	8	15	15	31	100	50.612 PA/FL7035
M16x1,5	5 - 10	8	20	20	35,5	100	50.616 PA/FL7035
M20x1,5	8 - 13	8	24	24	36	100	50.620 PA/FL7035
M25x1,5	11 - 17	8	29	29	43	50	50.625 PA/FL7035
M32x1,5	15 - 21	10	36	36	50	25	50.632 PA/FL7035
M40x1,5	19 - 28	10	46	46	51	10	50.640 PA/FL7035
M50x1,5	27 - 35	12	55	55	61,5	5	50.650 PA/FL7035
M63x1,5	32 - 42	12	68	68	65,5	5	50.663 PA/FL7035



RAL 7032

Connecting thread standard length

A	ØC	L	SW1	SW2	H	 VPE	Part No.
M12x1,5	3 - 6,5	8	15	15	31	100	50.612 PA/FL
M16x1,5	5 - 10	8	20	20	35,5	100	50.616 PA/FL
M20x1,5	8 - 13	8	24	24	36	100	50.620 PA/FL
M25x1,5	11 - 17	8	29	29	43	50	50.625 PA/FL
M32x1,5	15 - 21	10	36	36	50	25	50.632 PA/FL
M40x1,5	19 - 28	10	46	46	51	10	50.640 PA/FL
M50x1,5	27 - 35	12	55	55	61,5	5	50.650 PA/FL
M63x1,5	32 - 42	12	68	68	65,5	5	50.663 PA/FL

Comment: All listed parts- are in accordance with EN 45545-2, clause 4.5 "Non-listed products" with - exposed areas ≤ 0.20 m², location interior, R22- exposed areas ≤ 0.20 m², location exterior, R23- have according to EN 45545-2, clause 4.3.2, Rule 1 total, combustible / flammable mass of the products < 100 g for grouped products, location interior < 400 g für grouped products, location exterior.