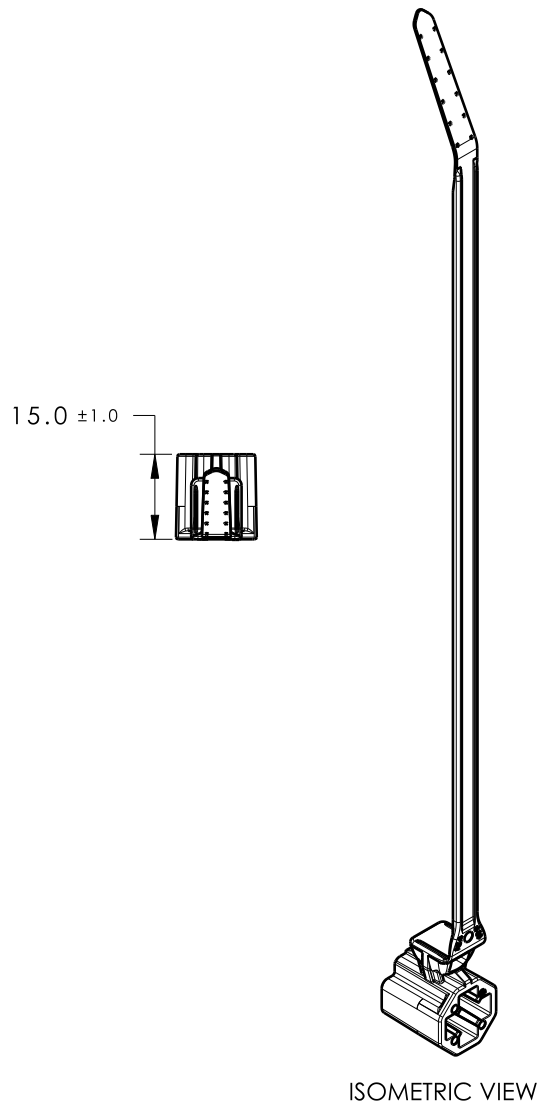
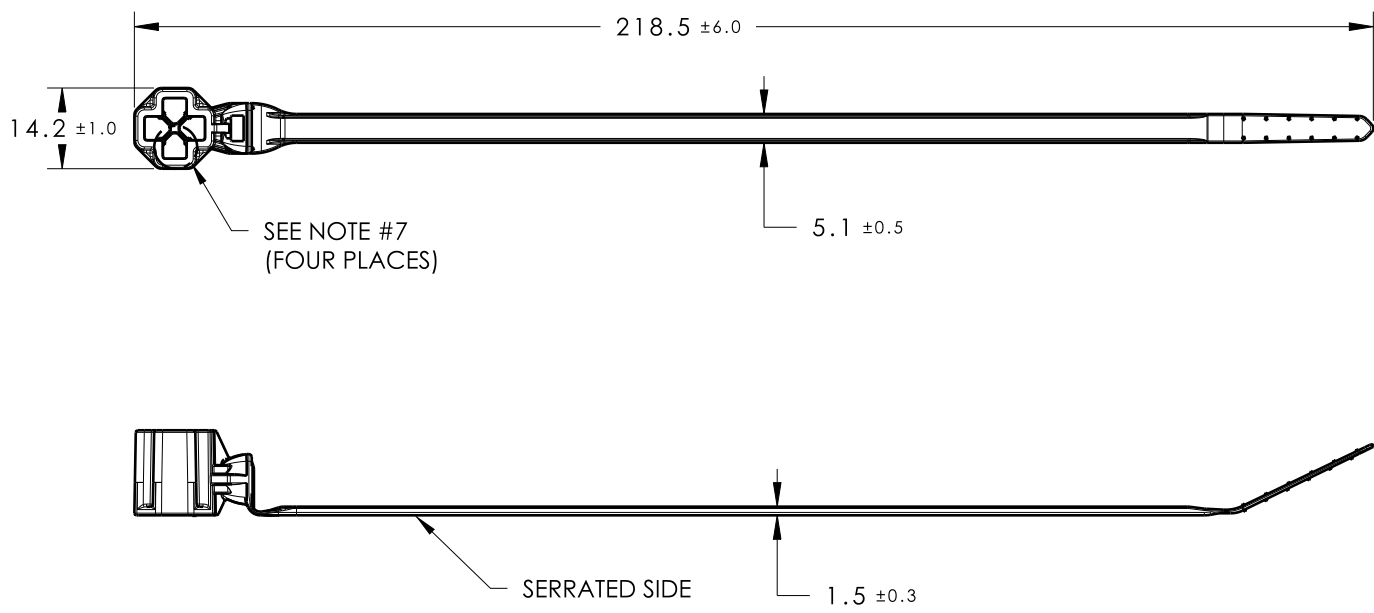


Revision Level			Revision Record	Changed	Date	Approved	Date
Drawing	State	Part					
02.1	Design Release	B	SEE ECN# 013395	CJR	3/11/16	KVH	3/11/16



- REFERENCE:
1. STUD MOUNT PUSH ON FORCE: 45 NEWTONS (10 LBS) MAX ON EACH APPLICABLE STUD SIZE
 2. STUD MOUNT PULL OFF FORCE: 110 NEWTONS (25 LBS) MIN ON EACH APPLICABLE STUD SIZE
 3. APPLICABLE STUD SIZE:
 - A. M5
 - B. T5
 - C. M6
 - D. T6
 - E. M6 PAINT CUTTER
 4. CABLE TIE MIN LOOP TENSILE STRENGTH: 225 NEWTONS (50LBS)
 5. BUNDLE RANGE: 2.0MM TO 50MM
 6. MAXIMUM PERCENT REGRIND PERMISSIBLE: 25%
 7. FLASH MAY EXIST IN STUD MOUNT AREA IF IT DOESN'T INTERFERE WITH PERFORMANCE OF PART.

Material PA66HIRHS COLOR: Black	Units millimeters Tolerance defined on each dimension	The copyright of this drawing is reserved by HellermannTyton. It is issued on condition that it is not reproduced, copied or disclosed to a third party, either wholly or in part, without the consent of HellermannTyton.	Drawn	SJA	4/3/14	Article/Type-No	T50ROSSB5-6U	Scale	3:4	
			Approved	EJH	4/4/14	Title	M5, T5, M6, AND M6 PAINT CUTTER THREAD STUD MOUNT WITH 50LB LOW PROFILE CABLE TIE	Project Number	13-0528	
			HellermannTyton North America Email: corp@htamericas.com Web: www.hellermann.tyton.com			Drawing-No	PRODUCTION	Phase	Format	AH
						13-0528-041-CSU			02.1	Sheet