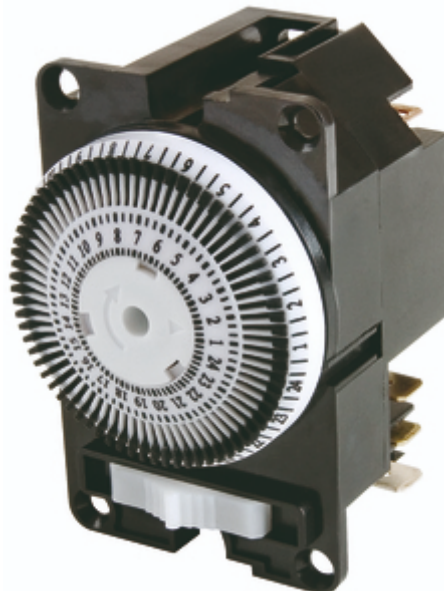


# SMS24

## 24 Hour Mini Segment Timer Module

### Features & Benefits

- Permanent ON/OFF or Timed Modes Via Slider Switch
- Spade Connector Terminals
- Segment ON/OFF Control



### Technical Data

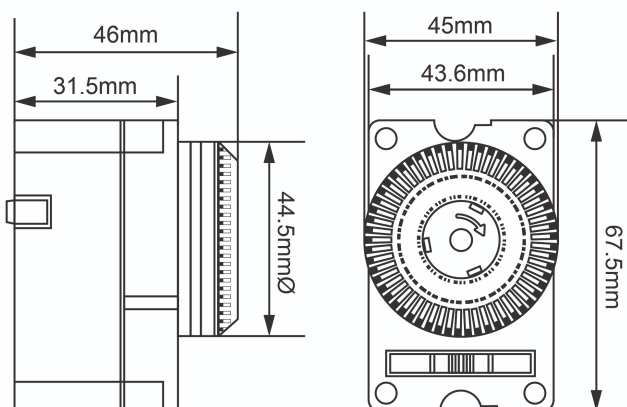
<b>Operating Voltage</b>	230V AC
<b>Frequency</b>	50Hz
<b>Installation Type</b>	OEM
<b>Operating Temperature</b>	0°C to 40°C
<b>Setting Type</b>	Segment
<b>Program Modes</b>	24 Hour, Permanent ON/OFF or Timed
<b>Switch type</b>	Single Pole
<b>Voltage Free Contacts</b>	Normally Open, Normally Closed (Changeover)
<b>Mounting Hole Centres (mm)</b>	58 (Top/Bottom), 34 (Left/Right)
<b>Number of Channels</b>	1
<b>Switch rating</b>	16A Resistive, 4A Inductive

<b>Shortest Switching Time</b>	15 Minutes
<b>Programmable Slots</b>	48 ON 48 OFF (96 Segments)
<b>Permanent ON Facility</b>	Yes (Slider Switch)
<b>Cable Entry(s)</b>	Bottom Entry (Spade Connector)

### General

<b>Weight (g)</b>	61
<b>Height (mm)</b>	67.5
<b>Width (mm)</b>	45
<b>Depth (mm)</b>	46
<b>Body Construction</b>	Polycarbonate
<b>Product Colour</b>	Black
<b>EAN Number</b>	5012483012925
<b>Guarantee Period</b>	3 Years

### Line Diagrams



Data sheet  
**SMS24**

Time / OEM Modules

---