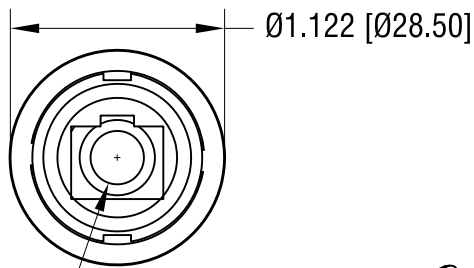
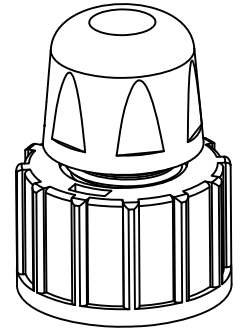
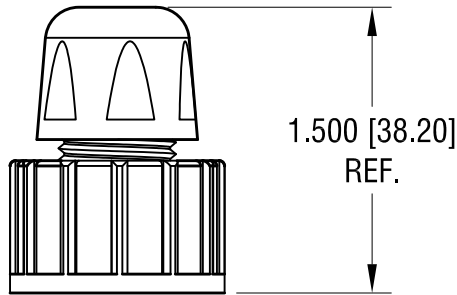
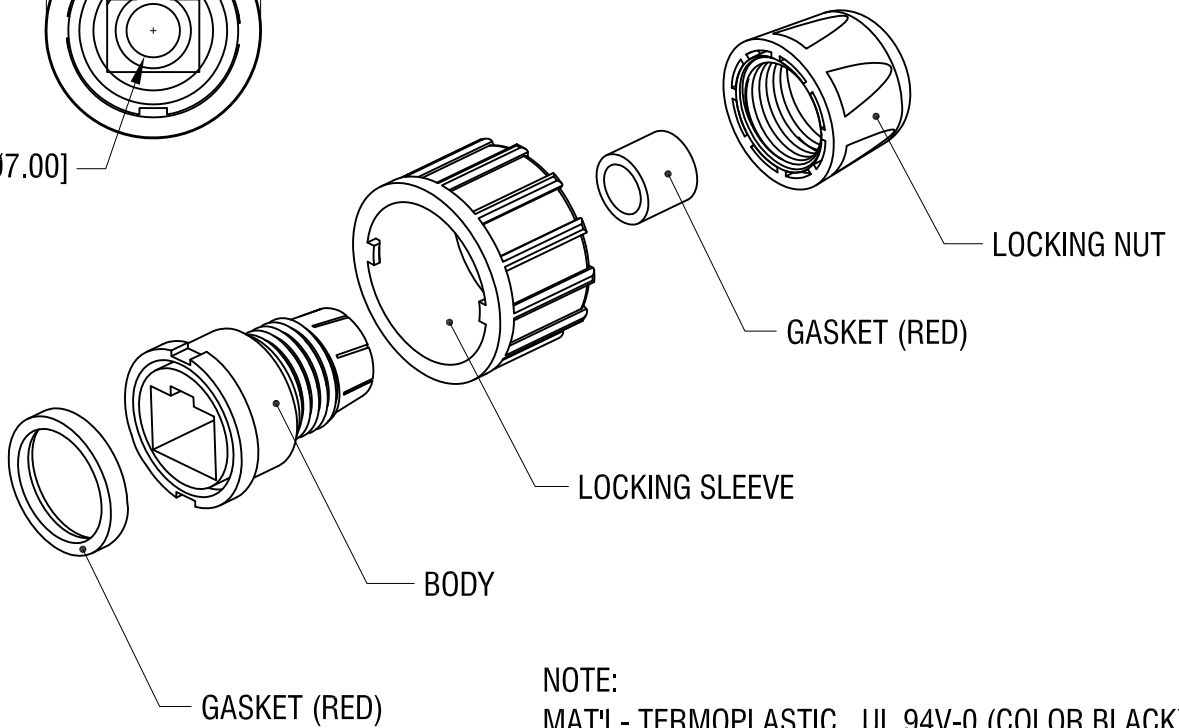


THIS DOCUMENT IS THE PROPERTY OF
KEYSTONE ELECTRONICS CORP. AND
SHALL NOT BE REPRODUCED, DISTRIBUTED
OR USED AS A BASIS FOR MANUFACTURE
WITHOUT PRIOR WRITTEN PERMISSION
FROM KEYSTONE ELECTRONICS CORP.

ACTUAL SIZE



Ø.276 [Ø7.00]



NOTE:
MAT'L- TERMOPLASTIC , UL 94V-0 (COLOR BLACK)]
GASKET: -SILICON (RED COLOR)

KEYSTONE ELECTRONICS CORP.

www.keyelco.com • NEW HYDE PARK, NY 11040 • Tel (516) 328-7500

PART NAME

WATER PROOF KEYSTONE PLUG, IP68

MATERIAL

AS NOTED

FINISH

DRN BY

NT

DATE

12.20.18

APP'D

RH

SCALE

1X

TOLERANCES

INCH

[MM]

CODE

DWG NO.

DECIMAL

± .005 [± 0.13]

C

ANGULAR

± 1°

UNLESS OTHERWISE SPECIFIED

988P

DATE

DESCRIPTION

REV.

Mouser Electronics

Authorized Distributor

Click to View Pricing, Inventory, Delivery & Lifecycle Information:

[Keystone Electronics:](#)

[988P](#)