

4

3

2

DWG NO. GE-1203 SH 1 REV A

1

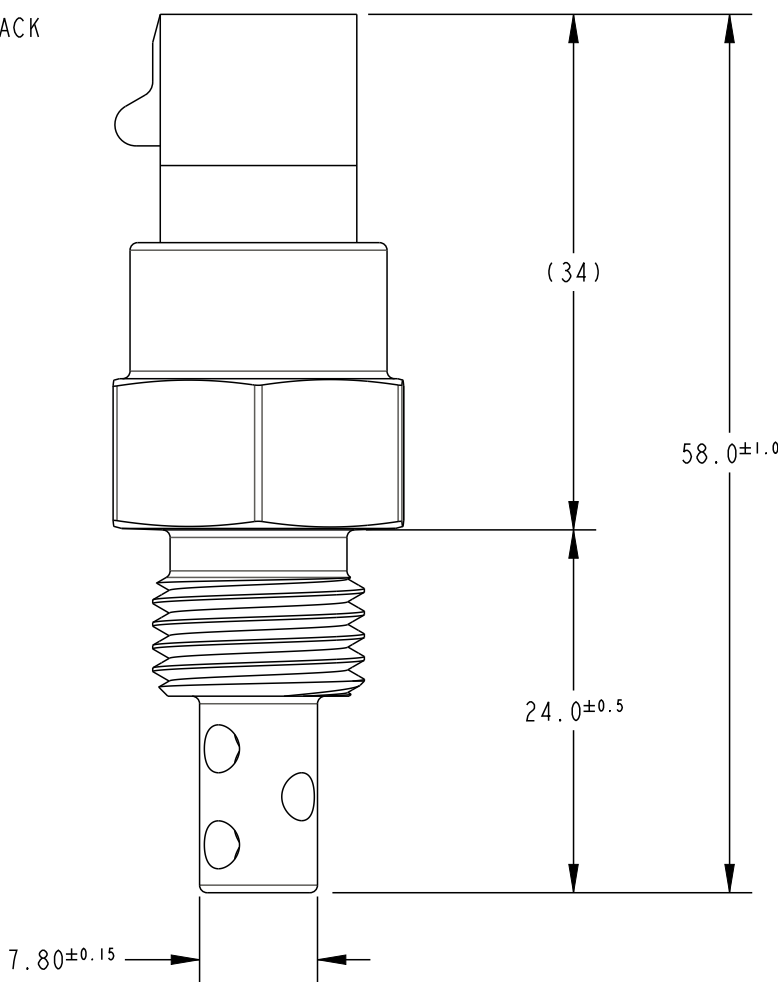
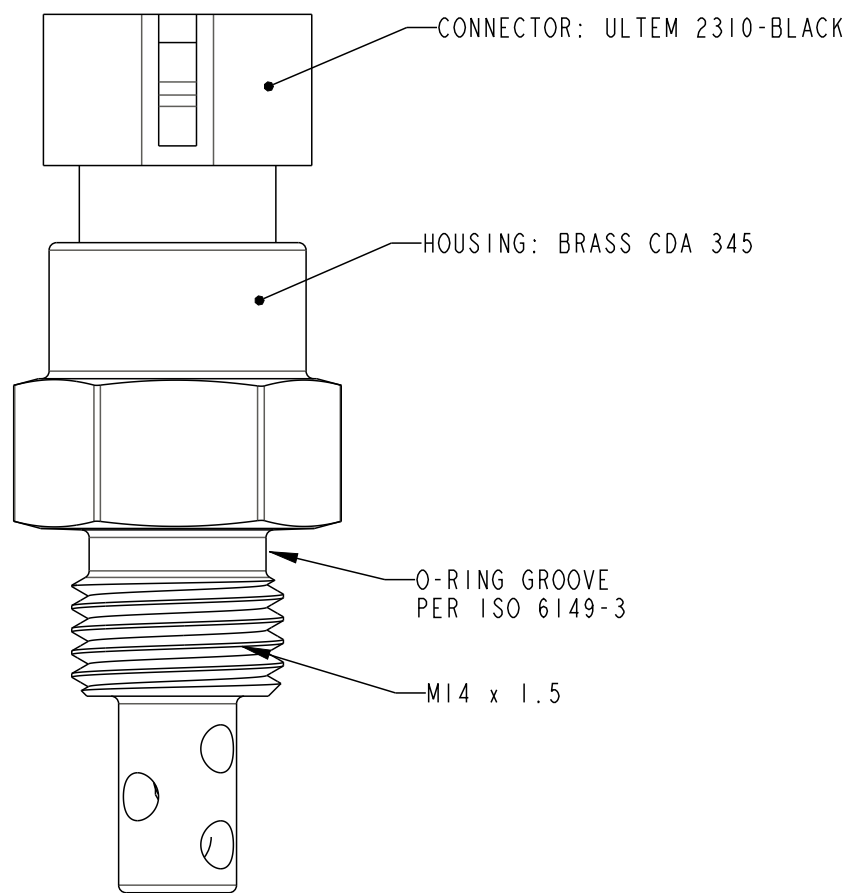
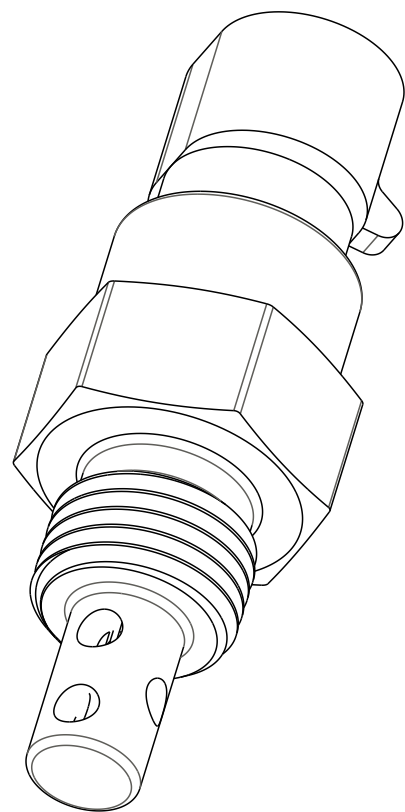
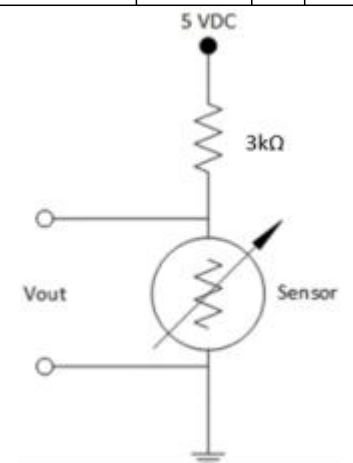
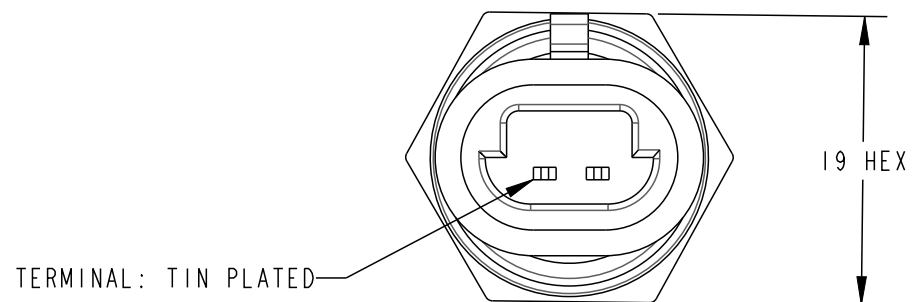
PROPRIETARY NOTICE: THE INFORMATION CONTAINED IN THIS DOCUMENT IS PROPRIETARY TO AMPHENOL AND SHALL NOT BE DISCLOSED IN WHOLE OR IN PART IN ANY FORM OR FOR ANY REASON EXCEPT AS EXPRESSLY STATED IN WRITING BY AMPHENOL.

NOTES:

- 1. CONTINUOUS OPERATING TEMPERATURE: -40° TO 150°C
- 2. CONNECTOR: METRI-PACK 150.2 OR GT150 3.5mm MATING APTIV(DELPHI) PART NUMBER: 12162193,15336004 OR EQUIVILANT
- 3. VOLTAGE: 5V

TEMP (°C)	RESISTANCE (OHMS)	RES TOL (+%)	RES TOL (-%)
-40°C	101770	5.74	9.27
25°C	2820	5.15	4.86
50°C	988.1	NOMINAL	
100°C	179.6	2.82	2.51
125°C	89.11	2.96	3.46

REVISIONS				
REV	REVISION HISTORY	DATE	DWN	APVD
A	INITIAL DRAFT	5/30/19	MED	STS
B	CORRECTED RvT TABLE	02/07/20	JNJ	STS



Amphenol
Advanced Sensors St. Marys, PA 15857

TITLE: SENSOR, AIR TEMPERATURE
HEAVY DUTY

UNLESS OTHERWISE SPECIFIED DIMENSIONS ARE IN MM TOLERANCES ARE:

.X ± 0.5	ANGLES ± 2°	APPROVALS	DATE
.XX ± 0.25		DRAWN MED	05/15/19
		CHECKED STS	05/16/19
		ENGR JJD	05/30/19
		OC	
		MFG	

DO NOT SCALE DRAWING

THIRD ANGLE PROJECTION

INTERPRET DRAWING IAW ASME Y14.5

MATERIAL SEE DRAWING

SIZE B DWG NO. GE-1203 REV A

SCALE 2:1 SHEET 1 OF 1

LEGAL NOTICE - THIS DRAWING AND ANY INTELLECTUAL PROPERTY RIGHTS THERE IN ARE PROPERTY OF AMPHENOL AND NO LICENSES ARE GRANTED UNDER THOSE RIGHTS.

4

3

2

1

Mouser Electronics

Authorized Distributor

Click to View Pricing, Inventory, Delivery & Lifecycle Information:

[Amphenol:](#)

[GE-1203](#)