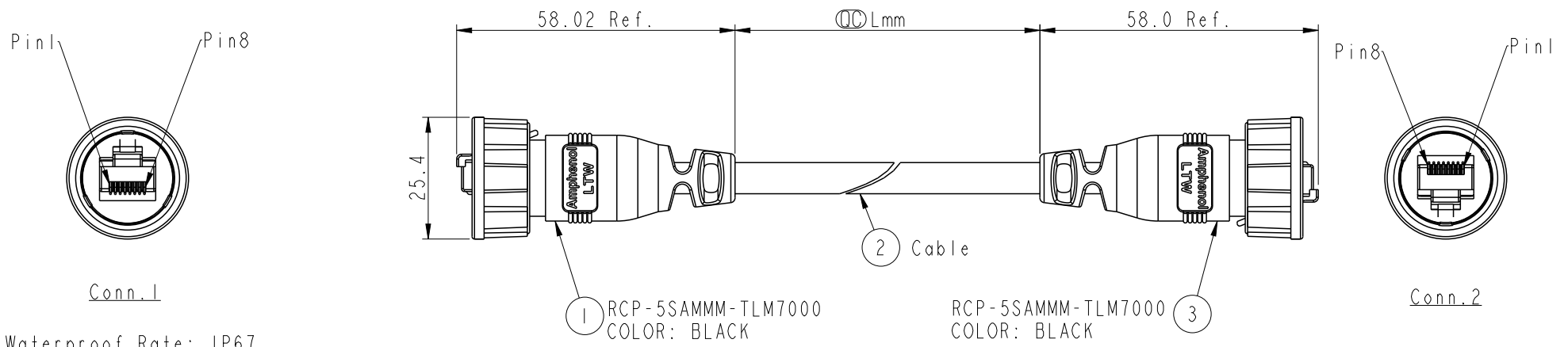
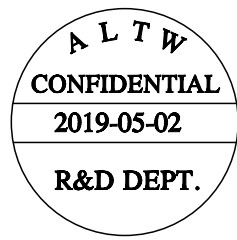


REV.	ECN NO.	DATE	SIGN	DESCRIPTION
B	C190683	2019-05-02	Allen	Update Note.



Waterproof Rate: IP67



RCP5SM-RCP5SM-TL7B XX  
 XX : 01~99Meters  
 01 : 01Meter  
 02 : 02Meters  
 :  
 :  
 :  
 99 : 99Meters  
 Cable Length(L): 01~99Meters

- Note:
- \*  $\varnothing$  Important Dimension To Check
  - \* Waterproof Rate: IP67
  - \* Housing: Nylon+GF, Black
  - \* Lock Nut: Nylon+GF, Black
  - \* RJ Plug: Shield, Phosphor Bronze, Gold Plated
  - \* Cable: CAT5E FTP 24#\*4P+D+AL/MY, 6.5
  - \* Cable Length Tolerance:
    - 01M: ±40mm
    - 02M~05M: ±60mm
    - 06M~10M: ±100mm
    - 11M~30M: ±200mm
    - 31M~99M: ±500mm

Shield	Drain Wire	Shield
8	Brown 棕	8
7	White/Brown 白/棕	7
6	Green 綠	6
5	White/Blue 白/藍	5
4	Blue 藍	4
3	White/Green 白/綠	3
2	Orange 橘	2
1	White/Orange 白/橘	1
Conn.1	Wire Color	Conn.2

Pin Out

UNIT:mm		TITLE RJ DOUBLE-ENDED, WITH CONN	ITEM NO	DRAWN BY Allen	DATE 2019-05-02
TOLERANCE .X ±0.25 .XX ±0.1 .XXX ±0.05 ANGLES ±1°	SCALE 4:5	SIZE A4	DWG NO RCP5SM-RCP5SM-TL7BXX	CHECKED BY Jane	DATE 2019-05-02
REV. B	WC-REV. A.2	SHEET 1 OF 1	CUSTOMER ALTW	APPROVED BY Neo	DATE 2019-05-02

**Amphenol LTW**  
 安費諾亮泰企業股份有限公司

THIS DOCUMENT IS SUBJECT TO CHANGE WITHOUT NOTICE. IT IS CONFIDENTIAL AND A PROPERTY OF Amphenol LTW. DISCLOSURE TO THIRD PARTY HAS TO BE AUTHORIZED BY Amphenol LTW.

# Mouser Electronics

Authorized Distributor

Click to View Pricing, Inventory, Delivery & Lifecycle Information:

[Amphenol:](#)

[RCP5SM-RCP5SM-TL7B02](#) [RCP5SM-RCP5SM-TL7B01](#)