

**MICRO SWITCH**  
a Honeywell Division

**SWITCH - ENCLOSED**

CATALOG LISTING  
**BAF1-2RN-RH**

(RIGHT HAND)

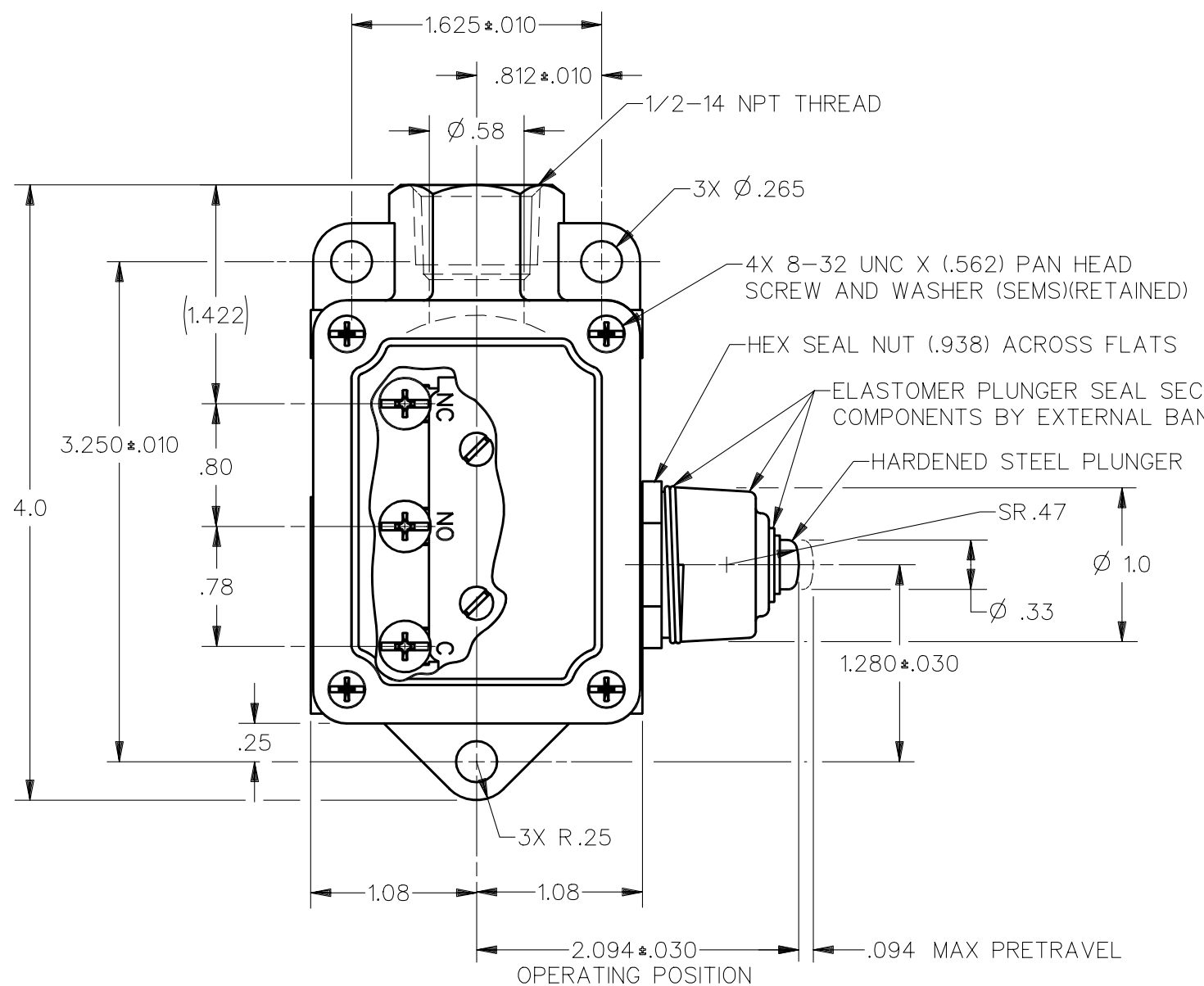
FED. MFG. CODE 91929

CATALOG LISTING  
**BAF1-2RN-RH**  
PAGE 1 OF 1  
ISSUE **M**  
16

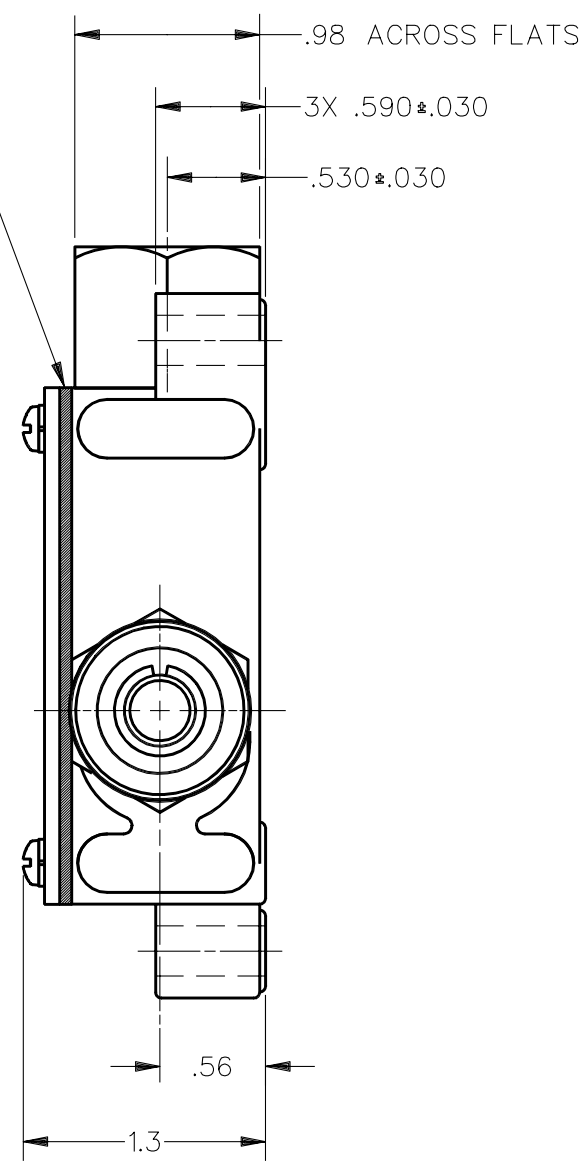
REVISIONS

A	C073751	MAM	15 OCT 92
B	77179B	CO	21 FEB 94
C	C073287M	JAF	8 MAY 95

DDM/CAD  
DRAWN  
MAM 15OCT92  
CHECK  
WLS 16OCT92  
CHECK



GASKET TYPE SEAL BETWEEN COVER AND HOUSING



THIS DRAWING COVERS A PROPRIETARY ITEM AND IS THE PROPERTY OF MICRO SWITCH, A DIVISION OF HONEYWELL. THIS DRAWING IS NOT TO BE COPIED OR USED WITHOUT THE APPROVAL OF MICRO SWITCH

THIRD ANGLE PROJECTION

CHARACTERISTICS	ELECTRICAL DATA
OPERATING FORCE --- 2 1/2 LBS MAX	CONTACT ARRANGEMENT S P D T
RELEASE FORCE --- 1/2 LB MIN	L23 20A 125, 250 OR 480 VAC
DIFFERENTIAL TRAVEL --- .010 MAX	10A 125 VAC "L"
OVERTRAVEL --- .219 MIN	1HP 125 VAC, 2HP 250 VAC
BASIC SWITCH REPLACEMENT ---	1/2A 125 VDC, 1/4A 250 VDC
--- BA-2R708-P7	

CHARACTERISTICS	ELECTRICAL DATA
OPERATING FORCE --- 2 1/2 LBS MAX	CONTACT ARRANGEMENT S P D T
RELEASE FORCE --- 1/2 LB MIN	L23 20A 125, 250 OR 480 VAC
DIFFERENTIAL TRAVEL --- .010 MAX	10A 125 VAC "L"
OVERTRAVEL --- .219 MIN	1HP 125 VAC, 2HP 250 VAC
BASIC SWITCH REPLACEMENT ---	1/2A 125 VDC, 1/4A 250 VDC
--- BA-2R708-P7	

SCALE	TOLERANCES
FULL	UNLESS OTHERWISE SPECIFIED TOLERANCES ARE
DO NOT SCALE PRINT	ONE PLACE (.0) ± .030
	TWO PLACE (.00) ± .015
	THREE PLACE (.000) ± .005
	ANGLES ±
WEIGHT	.500 LB

NOTE  
1 - 8-32 UNC X (.219) BINDER HEAD TERMINAL SCREWS AND CUPWASHERS



ANSI Y14.5M-1982 APPLIES