

4624 N AC Axial Fan

AC fan with external rotor shaded pole motor, AC low-voltage version. Metal fan housing and impeller. Electrical connection via 2 flat pins 3,0 x 0,5 mm. Air intake over struts. Rotational direction CW looking at rotor.



Features

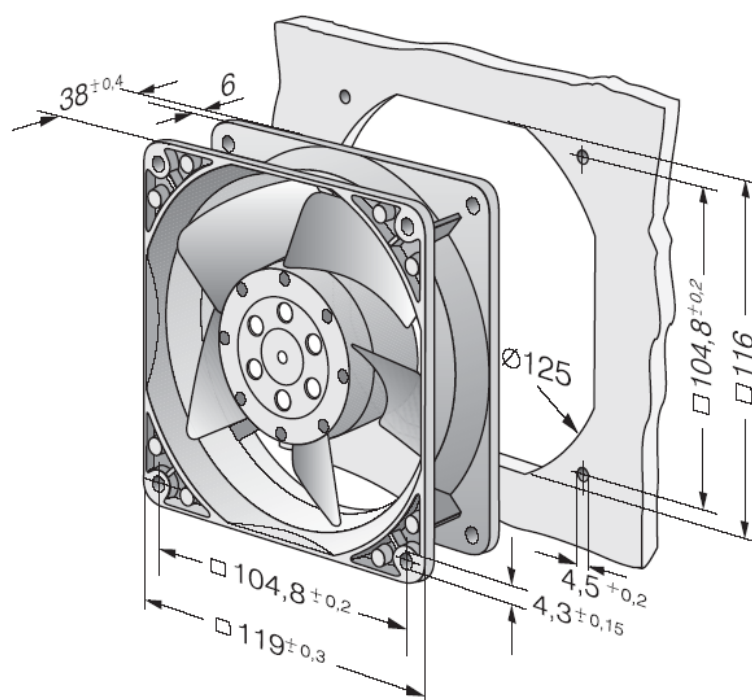
- Protected against overloading (impedance protected).
- Designed for maintenance-free long-term operation.
- Any mounting position.

Technical Data

Nominal voltage	VAC	24
Frequency	Hz	60
Nominal speed	Rpm	3100
Max. airflow	cfm	93
Nominal current	mA	950
Noise free air	dB(A)	47
Power consumption	W	18
Permanent ambient temperature	°C	-10 ... +60
Service life (T _{max})	h	20.000
Service life (40 °C)	h	32.500
Fan housing / impeller	Metal / Metal	
Bearing system	sleeve bearings	
Mass	g	550

Alle Daten sind Mittelwerte bei Nennspannung.

Technische Änderungen vorbehalten.



Mouser Electronics

Authorized Distributor

Click to View Pricing, Inventory, Delivery & Lifecycle Information:

[ebm-papst:](#)

[4624N](#)