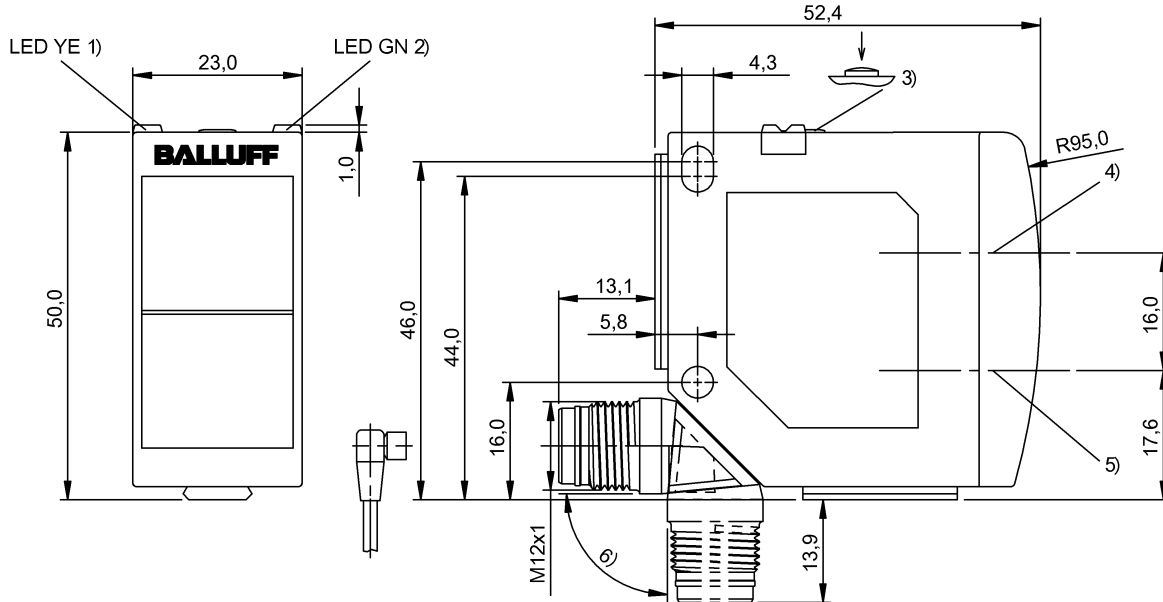


BOS 23K-GI-RR10-S4 BOS016T



1) Output function/Error 2) Power/setting mode 3) Sn, light/dark 4) Optical axis receiver 5) Optical axis emitter 6) rotatable 270°



Display/Operation

Adjuster	Key (1x)
Setting	Light-on/dark-on Rated switching distance (Sn)

Electrical connection

Connection	M12x1-Connector, 4-pole, A-coded
Polarity reversal protected	yes
Short-circuit protection	yes

Electrical data

Baud rate	38.4 kBaud
MTTF (40 °C)	480 a
No-load current I _o max. at U _e	30 mA
Operating voltage U _b	18...30 VDC
Protected against miswiring	yes
Rated operating current I _e DC	100 mA
Rated operating voltage U _e DC	24 V
Ready delay t _v max.	300 ms
Residual current I _r max.	50 µA
Switching frequency	600 Hz

Turn-off delay t _{off} max.	0.83 ms
Turn-on delay t _{on} max.	0.83 ms
Voltage drop U _d max. at I _e	2 V

Environmental conditions

Ambient temperature	-20...60 °C
IP rating per DIN 40050	IPx9K
Protection type IEC 60529	IP6x

Functional safety

Diagnostic coverage	0.0 %
Functional safety	no
Mission Time	10 a

General data

Approval/Conformity	Ecolab CE cULus
Basic standard	IEC 60947-5-2
Series	23K
Style	Square Connection can be rotated

BOS 23K-GI-RR10-S4 BOS016T

Material

Housing material	PC ABS
Material sensing surface	PMMA

Mechanical data

Blind zone	300 mm
Dimension	23 x 51 x 52.4 mm
Fastening detail	Screw M4
Tightening torque max.	1.5 Nm

Optical data

Ambient light max.	5000 Lux
Beam characteristic	Divergent
LED group per IEC 62471	Exempt Group
Light type	LED Red light
Polarizing filter	yes
Principle of optical operation	Retroreflective sensor
Wave length	640 nm

Output/Interface

Input function	Key disable on/off Same function as button
----------------	---

Interface

Process data cycle min.	IO-Link 5 ms
Switching output	PNP/NPN Normally open/ Normally closed (NO/NC)

Range/Distance

Measuring range	0...12 m
Range	0...12 m
Rated operating distance S_n	12 m, Adjustable
Ripple max. (% of U_e)	10 %

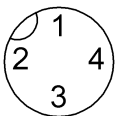
Remarks

The sensor is functional again after the overload has been eliminated.
Actuation object (target): gray card, 200 x 200, 90 % remission, lateral approach, approach direction vertical to lens axis plane.
Teach-in also possible when object is in motion.
For additional information, refer to user's guide.
Order accessories separately.
Do not press key using a pointed tool.

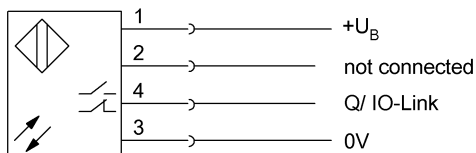
For further information on MTTF/B10d, please refer to the MTTF / B10d Certificate.

Specification of the MTTF value and the B10d value do not represent any binding quality and/or life expectancy guarantees.

Connector view



Wiring Diagram



BOS 23K-GI-RR10-S4
BOS016T

Symbols for Optoelectronic Sensors

