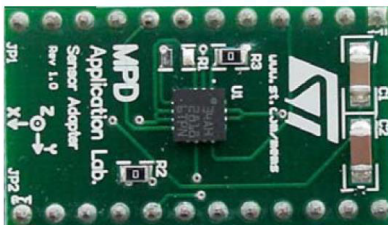


LIS344ALH adapter board for a standard DIL24 socket



Features

- Complete LIS344ALH pinout for a standard DIL24 socket
- Fully compatible with STEVAL-MKI109V2 motherboards
- RoHS compliant

Description

The [STEVAL-MKI015V1](#) is an adapter board designed to facilitate the evaluation of the [LIS344ALH](#) three-axis analog output linear accelerometer.

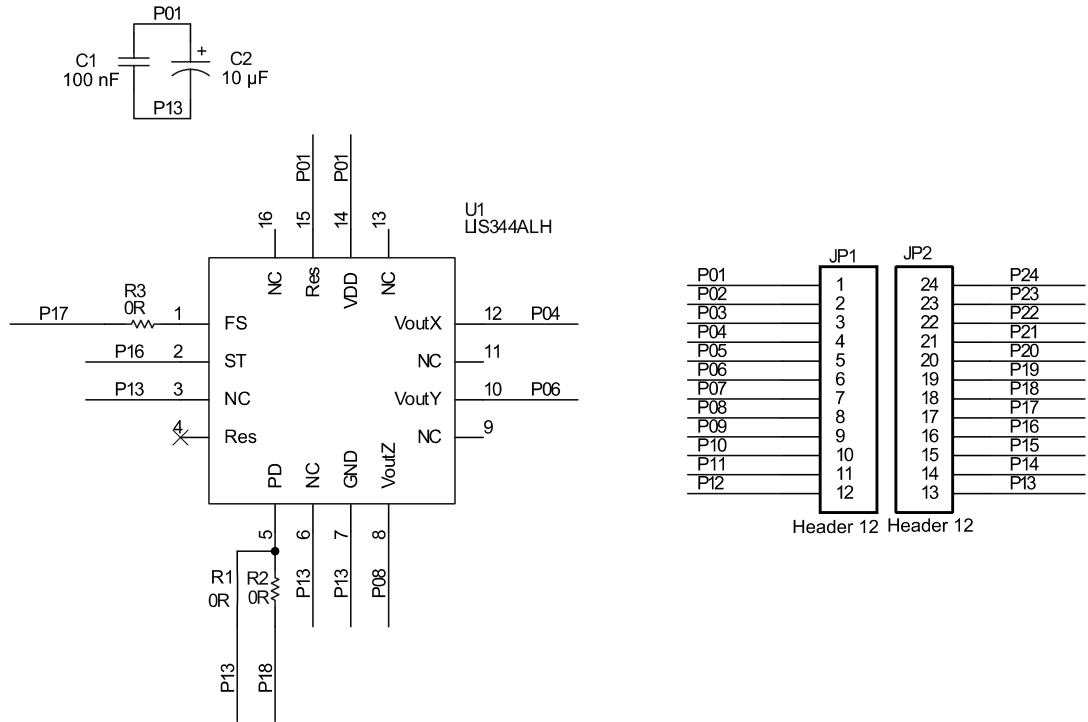
The board offers an effective solution for fast system prototyping and device evaluation directly within the user's own application.

The STEVAL-MKI015V1 can be plugged into a standard DIL24 socket. The adapter provides the complete LIS344ALH pinout and comes ready-to-use with the required decoupling capacitors on the VDD power supply line.

This adapter is supported by the [STEVAL-MKI109V2](#) motherboard with high performance 32-bit microcontroller functioning as a bridge between the sensor and a PC, on which it is possible to use the downloadable graphical user interface (Unico GUI), or dedicated software routines for customized applications.

Product summary	
LIS344ALH adapter board for a standard DIL24 socket	STEVAL-MKI015V
3-axis analog accelerometer, ± 2 g / ± 6 g user selectable full-scale, ultra compact, low power	LIS344ALH
ST MEMS adapters motherboard based on STM32F103, compatible with all ST MEMS adapter boards	STEVAL-MKI109V2

1 Schematic diagram

Figure 1. STEVAL-MKI015V1 board schematic


Revision history

Table 1. Document revision history

Date	Version	Changes
08-Oct-2010	1	Initial release.
01-Aug-2017	2	Updated cover page Features and Description Updated Figure 1
30-Oct-2018	3	Updated cover page Features and Description

IMPORTANT NOTICE – PLEASE READ CAREFULLY

STMicroelectronics NV and its subsidiaries (“ST”) reserve the right to make changes, corrections, enhancements, modifications, and improvements to ST products and/or to this document at any time without notice. Purchasers should obtain the latest relevant information on ST products before placing orders. ST products are sold pursuant to ST’s terms and conditions of sale in place at the time of order acknowledgement.

Purchasers are solely responsible for the choice, selection, and use of ST products and ST assumes no liability for application assistance or the design of Purchasers’ products.

No license, express or implied, to any intellectual property right is granted by ST herein.

Resale of ST products with provisions different from the information set forth herein shall void any warranty granted by ST for such product.

ST and the ST logo are trademarks of ST. All other product or service names are the property of their respective owners.

Information in this document supersedes and replaces information previously supplied in any prior versions of this document.

© 2018 STMicroelectronics – All rights reserved

Mouser Electronics

Authorized Distributor

Click to View Pricing, Inventory, Delivery & Lifecycle Information:

[STMicroelectronics:](#)

[STEVAL-MKI015V1](#)