

Low voltage 16-bit constant current LED sink driver with output error detection and auto power-saving for automotive applications

Datasheet - production data



Description

The STAP16DPS05 is a monolithic, low voltage, low current power 16-bit shift register designed for LED panel displays. The device contains a 16-bit serial-in, parallel-out shift register that feeds a 16-bit D-type storage register. In the output stage, sixteen regulated current sources are designed to provide 5-100 mA constant current to drive the LEDs.

The STAP16DPS05 features the open and short LED detections on the outputs. The STAP16DPS05 ensures the backward compatibility with the STP16C/L596. The detection circuit checks 3 different conditions, which can occur on the output line: short to GND, short to V_O or open line. The data detection results are loaded in the shift register and shifted out via the serial line output. The detection functionality is implemented without increasing the pin number. Through a secondary function of the output enable and latch pin (DM1 and DM2 respectively), a dedicated logic sequence allows the device to enter or leave detection mode. Through an external resistor, users can adjust the output current of the STAP16DPS05, thus controlling the light intensity of the LEDs. In addition, the user can adjust the intensity of the brightness of the LEDs from 0% to 100% through the $\overline{OE/DM2}$ pin. The STAP16DPS05 guarantees a 20 V output driving capability, allowing users to connect more LEDs in series. The high clock frequency, 30 MHz, also satisfies the system requirement of high volume data transmission. The 3.3 V of voltage supply is very useful for applications that interface any microcontroller from 3.3 V micro. Compared with a standard TSSOP package, the TSSOP exposed pad increases the capability of heat dissipation by a factor of 2.5.

Features

- AECQ100 qualification
- Low voltage power supply down to 3 V
- 16 constant current output channels
- Adjustable output current through external resistor
- Short and open output error detection
- Serial data IN/parallel data OUT
- 3.3 V micro driver-able
- Output current: 5-100 mA
- Auto power-saving
- Max. clock frequency: 30 MHz
- 20 V current generator rated voltage
- Power supply voltage: from 3 V to 5.5 V
- Thermal shutdown for overtemperature protection
- ESD protection 2.0 kV HBM

Applications

- Dashboard and infotainment backlighting
- Exterior/interior lighting
- DTRLs

Table 1. Device summary

Order code	Package	Packing
STAP16DPS05XTTR	HTSSOP24 (exposed pad)	2500 parts per reel

Contents

- 1 Summary description 5**
 - 1.1 Pin connections and description 5
- 2 Electrical ratings 6**
 - 2.1 Absolute maximum ratings 6
 - 2.2 Thermal data 6
 - 2.3 Recommended operating conditions 7
- 3 Electrical characteristics 8**
 - 3.1 Switching characteristics 9
- 4 Equivalent circuit and outputs 10**
- 5 Timing diagrams 12**
- 6 Typical characteristics 15**
- 7 Detection mode functionality 18**
 - 7.1 Phase one: “entering in detection mode” 18
 - 7.2 Phase two: “error detection” 19
 - 7.3 Phase three: “resuming to normal mode” 21
 - 7.4 Error detection conditions 21
 - 7.5 Auto power-saving 25
- 8 Package information 28**
 - 8.1 TSSOP24 exposed pad package information 29
 - 8.2 TSSOP24 exposed pad packing information 31
- 9 Revision history 33**

List of tables

Table 1.	Device summary	1
Table 2.	Typical current accuracy	5
Table 3.	Pin description	5
Table 4.	Absolute maximum ratings	6
Table 5.	Thermal data	6
Table 6.	Recommended operating conditions	7
Table 7.	Electrical characteristics	8
Table 8.	Switching characteristics	9
Table 9.	Truth table.	12
Table 10.	Output current- R_{EXT} resistor.	15
Table 11.	ISET vs. dropout voltage (V_{drop})	16
Table 12.	Entering in detection truth table	18
Table 13.	Detection conditions	21
Table 14.	IODEC average value at 3.3 V	24
Table 15.	IODEC average value at 5 V	24
Table 16.	TSSOP24 exposed pad mechanical data.	30
Table 17.	TSSOP24 exposed pad tape and reel mechanical data.	32
Table 18.	Document revision history	33

List of figures

Figure 1.	Pin connections	5
Figure 2.	OE/DM2 terminal	10
Figure 3.	LE/DM1 terminal	10
Figure 4.	CLK, SDI terminal	10
Figure 5.	SDO terminal	11
Figure 6.	Block diagram	11
Figure 7.	Timing diagram	12
Figure 8.	Clock, serial-in, serial-out	13
Figure 9.	Clock, serial-in, latch, enable, outputs	14
Figure 10.	Outputs	14
Figure 11.	Output current- R_{EXT} resistor	15
Figure 12.	ISET vs. dropout voltage (V_{drop})	16
Figure 13.	IDD ON/OFF	17
Figure 14.	Entering in detection timing diagram	18
Figure 15.	Detection diagram	19
Figure 16.	Timing example for open and/or short detection	20
Figure 17.	Resuming to normal mode timing diagram	21
Figure 18.	Detection circuit	22
Figure 19.	Error detection sequence	23
Figure 20.	Error detection typical schematic	23
Figure 21.	Auto power-saving feature	25
Figure 22.	Delay LE-OUT	26
Figure 23.	Auto power-saving behavior	27
Figure 24.	TSSOP24 exposed pad package outline	29
Figure 25.	TSSOP24 exposed pad tape and reel outline	31

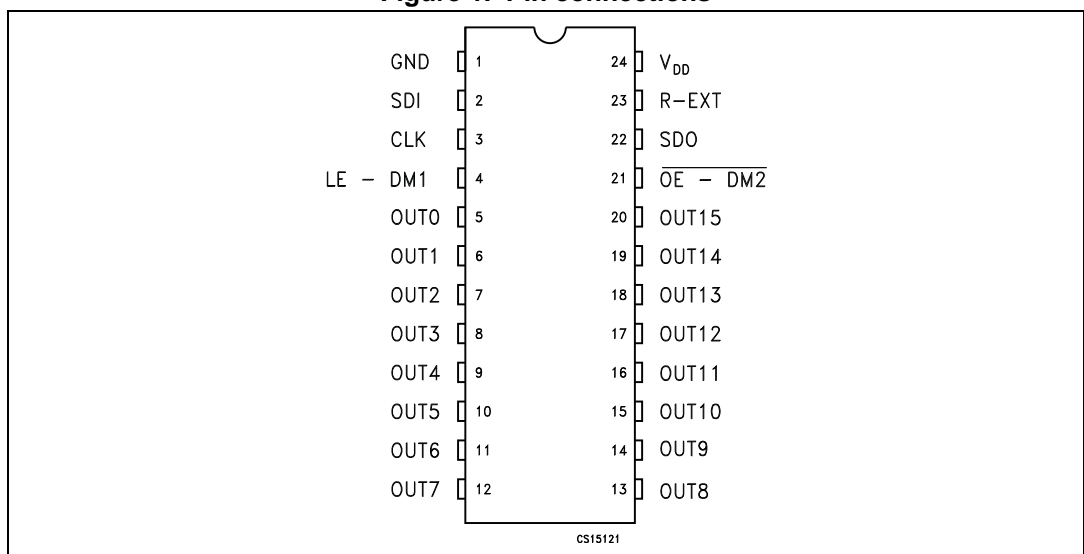
1 Summary description

Table 2. Typical current accuracy

Output voltage	Current accuracy		Output current	V _{DD}	Temperature
	Between bits	Between ICs			
≥ 1.3 V	±1.5%	±5%	20 to 100 mA	3.3 V to 5 V	25 °C

1.1 Pin connections and description

Figure 1. Pin connections



Note: The exposed pad is electrically connected to a metal layer electrically isolated or connected to ground.

Table 3. Pin description

Pin n°	Symbol	Name and function
1	GND	Ground terminal
2	SDI	Serial data input terminal
3	CLK	Clock input terminal
4	LE/DM1	Latch input terminal - detect mode 1 (see operation principle)
5-20	OUT-15	Output terminal
21	$\overline{OE/DM2}$	Input terminal of output enable (active low) - detect mode 1 (see operation principle)
22	SDO	Serial data out terminal
23	R-EXT	Input terminal of an external resistor for constant current programming
24	V _{DD}	Supply voltage terminal

2 Electrical ratings

2.1 Absolute maximum ratings

Stressing the device above the rating listed in the “absolute maximum ratings” table may cause permanent damage to the device. These are stress ratings only and operation of the device at these or any other conditions above those indicated in the operating sections of this specification is not implied. Exposure to absolute maximum rating conditions for extended periods may affect device reliability.

Table 4. Absolute maximum ratings

Symbol	Parameter	Value	Unit
V_{DD}	Supply voltage	0 to 7	V
V_O	Output voltage	-0.5 to 20	V
I_O	Output current	100	mA
V_I	Input voltage	-0.4 to V_{DD}	V
I_{GND}	GND terminal current	1600	mA
f_{CLK}	Clock frequency	50	MHz
T_{OPR}	Operating temperature range	-40 to +150	°C
T_{STG}	Storage temperature range	-55 to +150	°C

2.2 Thermal data

Table 5. Thermal data

Symbol	Parameter	Value	Unit
$R_{th(JA)}$	Thermal resistance junction-ambient ⁽¹⁾	TSSOP24 ⁽²⁾ exposed pad	37.5 °C/W

1. According to JEDEC standard 51-7B.

2. The exposed pad should be soldered to the PCB in order to derive the thermal benefits.

2.3 Recommended operating conditions

Table 6. Recommended operating conditions

Symbol	Parameter	Test conditions	Min.	Typ.	Max.	Unit
V_{DD}	Supply voltage		3.0	-	5.5	V
V_O	Output voltage			-	20	V
I_O	Output current	OUTn	5	-	100	mA
I_{OH}	Output current	Serial-OUT		-	+1	mA
I_{OL}	Output current	Serial-OUT		-	-1	mA
V_{IH}	Input voltage		$0.7 V_{DD}$	-	$V_{DD}+0.3$	V
V_{IL}	Input voltage		-0.3	-	$0.3 V_{DD}$	V
t_{wLAT}	LE/DM1 pulse width	$V_{DD} = 3.0 \text{ V to } 5.0 \text{ V}$	6	-		ns
t_{wCLK}	CLK pulse width		8	-		ns
t_{wEN}	$\overline{OE/DM2}$ pulse width		100	-		ns
$t_{SETUP(D)}$	Setup time for DATA		10	-		ns
$t_{HOLD(D)}$	Hold time for DATA		5	-		ns
$t_{SETUP(L)}$	Setup time for LATCH		10	-		ns
f_{CLK}	Clock frequency	Cascade operation ⁽¹⁾		-	30	MHz

1. If the device is connected in cascade, it may not be possible to achieve the maximum data transfer. Please consider the timings carefully.

3 Electrical characteristics

$V_{DD} = 5V, T_j = -40\text{ °C to }125\text{ °C}$, unless otherwise specified.

Table 7. Electrical characteristics

Symbol	Parameter	Test conditions	Min.	Typ.	Max.	Unit
V_{IH}	Input voltage high level		$0.7 \cdot V_{DD}$		V_{DD}	V
V_{IL}	Input voltage low level		GND		$0.3 \cdot V_{DD}$	
V_{OL}	Serial data output voltage (SDO)	$I_{OL} = +1\text{ mA}$		0.03	0.4	
V_{OH}		$I_{OH} = -1\text{ mA}$	$V_{DD}-0.4$			
I_{OH}	Output leakage current	$V_o = 19\text{ V}, \text{Outn} = \text{OFF}$		0.5	2	μA
ΔI_{OL1}	Current accuracy channel-to-channel ^{(1) (2)}	$V_{DD} = 3.3\text{ V}, V_O = 0.4\text{ V}, R_{ext} = 980\ \Omega$		± 1.5	± 5	%
ΔI_{OL2}		$V_{DD} = 3.3\text{ V}, V_O = 1.3\text{ V}, R_{ext} = 200\ \Omega$		± 1.2	± 4	
ΔI_{OL3}	Current accuracy device-to-device ⁽¹⁾	$V_{DD} = 3.3\text{ V}, V_O = 0.4\text{ V}, R_{ext} = 980\ \Omega$			± 6	
ΔI_{OL4}		$V_{DD} = 3.3\text{ V}, V_O = 1.3\text{ V}, R_{ext} = 200\ \Omega$			± 6	
$R_{IN(up)}$	Pull-up resistor for OE pin		150	300	600	k Ω
$R_{IN(down)}$	Pull-down resistor for LE pin		100	200	400	
$I_{DD(AutoOff)}$	Supply current (OFF)	$R_{ext} = 980\ \Omega, \text{OE} = \text{low}, \text{OUT0 to OUT7} = \text{OFF}$		200	300	μA
$I_{DD(OFF1)}$		$R_{ext} = 980\ \Omega, \text{OE} = \text{high}, \text{OUT0 to OUT7} = \text{ON}$		5	8	
$I_{DD(OFF2)}$		$R_{ext} = 200\ \Omega, \text{OE} = \text{high}, \text{OUT0 to OUT15} = \text{ON}$		13	20	
$I_{DD(ON1)}$	Supply current (ON)	$R_{ext} = 980\ \Omega, \text{OE} = \text{low}, \text{OUT0 to OUT15} = \text{ON}$		6	8	mA
$I_{DD(ON2)}$		$R_{ext} = 200\ \Omega, \text{OE} = \text{low}, \text{OUT0 to OUT15} = \text{ON}$		13	20	
Tsd	Thermal shutdown ⁽³⁾			170		$^{\circ}\text{C}$

1. Test performed with all outputs turned on, but only one output loaded at a time.
2. $D_{IOL+} = ((I_{OLmax} - I_{OLmean}) / I_{OLmean}) * 100, D_{IOL-} = ((I_{OLmin} - I_{OLmean}) / I_{OLmean}) * 100$, where $I_{OLmean} = (I_{OLout1} + I_{OLout2} + \dots + I_{OLout16}) / 16$.
3. Not tested, guaranteed by design.

3.1 Switching characteristics

$V_{DD} = 5\text{ V}$, $T_j = 25\text{ }^\circ\text{C}$, unless otherwise specified.

Table 8. Switching characteristics (1)(2)

Symbol	Parameter	Test conditions	Min.	Typ.	Max.	Unit
f_{clk}	Clock frequency	Cascade operation			30	MHz
tPLH1	CLK-OUTn LE\DM1 = H OE\DM2 = L	VIH = VDD VIL = GND CL = 10 pF Io = 20 mA VL = 3 V R _{ext} = 1 KΩ RL = 60 Ω	V _{DD} = 3.3 V	40	45	ns
			V _{DD} = 5 V	20	45	
tPLH2	LE\DM1-OUTn OE\DM2 = L		V _{DD} = 3.3 V	51	80	ns
			V _{DD} = 5 V	32	50	
tPLH3	OE\DM2-OUTn LE\DM1 = H		V _{DD} = 3.3 V	50	80	ns
			V _{DD} = 5 V	30	50	
tPLH	CLK - SDO		V _{DD} = 3.3 V	22	35	ns
			V _{DD} = 5 V	15	25	
tPHL1	CLK-OUTn LE\DM1 = H OE\DM2 = L		V _{DD} = 3.3 V	15	25	ns
			V _{DD} = 5 V	12	20	
tPHL2	LE\DM1-OUTn OE\DM2 = L		V _{DD} = 3.3 V	13	25	ns
			V _{DD} = 5 V	10	15	
tPHL3	OE\DM2-OUTn LE\DM1 = H	V _{DD} = 3.3 V	12	20	ns	
		V _{DD} = 5 V	10	15		
tPHL	CLK - SDO	V _{DD} = 3.3 V	25	40	ns	
		V _{DD} = 5 V	18	25		
t _{ON}	Output rise time 10~90 % of voltage waveform	V _{DD} = 3.3 V	35	55	ns	
		V _{DD} = 5 V	10	20		
t _{OFF}	Output fall time 90~10 % of voltage waveform	V _{DD} = 3.3 V	4	10	ns	
		V _{DD} = 5 V	3	8		
tr	CLK rise time ⁽³⁾				5	μs
tf	CLK fall time ⁽³⁾				5	

1. All table limits are guaranteed by design.
2. Not tested in production.
3. If devices are connected in cascade and tr or tf is large, it may be critical to achieve the timing required for data transfer between two cascaded devices.

4 Equivalent circuit and outputs

Figure 2. $\overline{\text{OE}}/\text{DM2}$ terminal

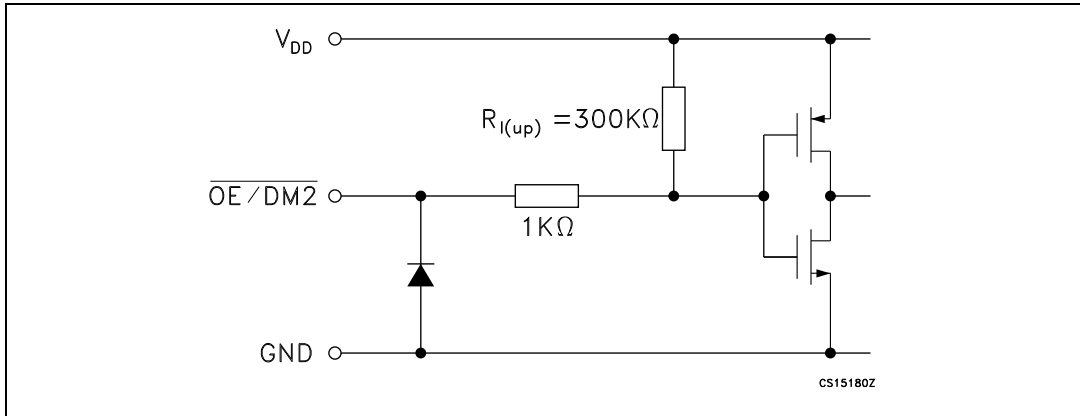


Figure 3. LE/DM1 terminal

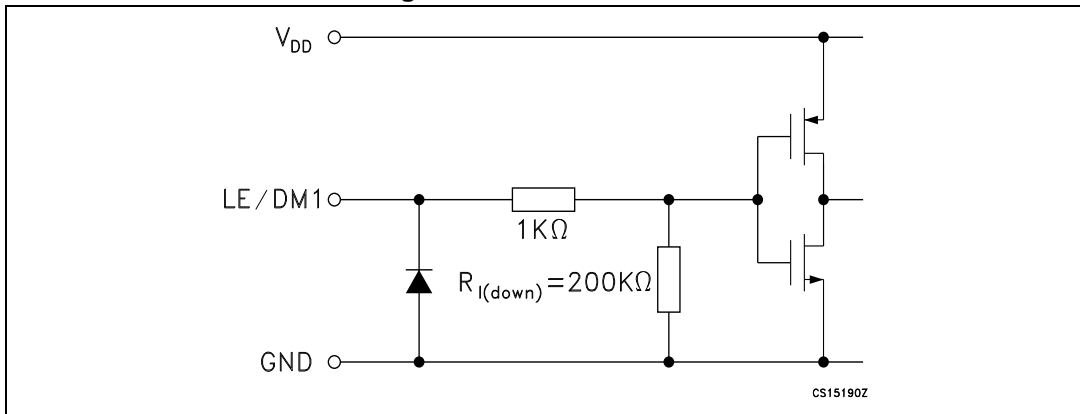


Figure 4. CLK, SDI terminal

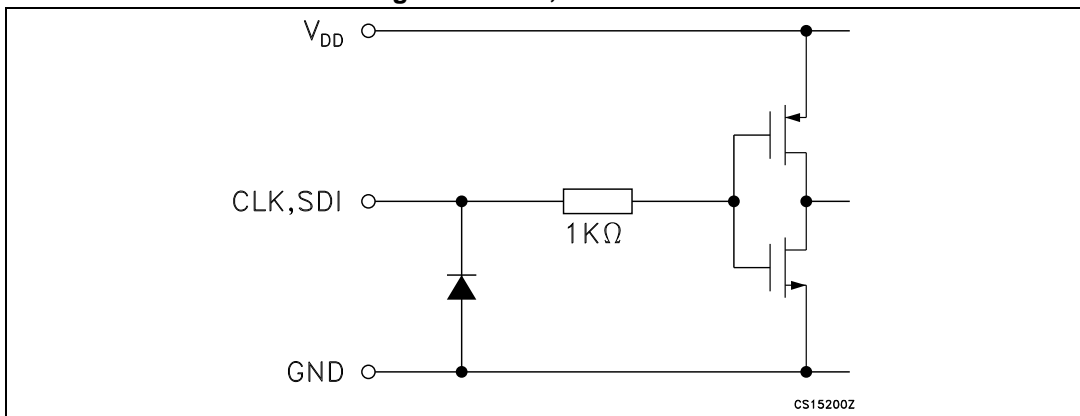


Figure 5. SDO terminal

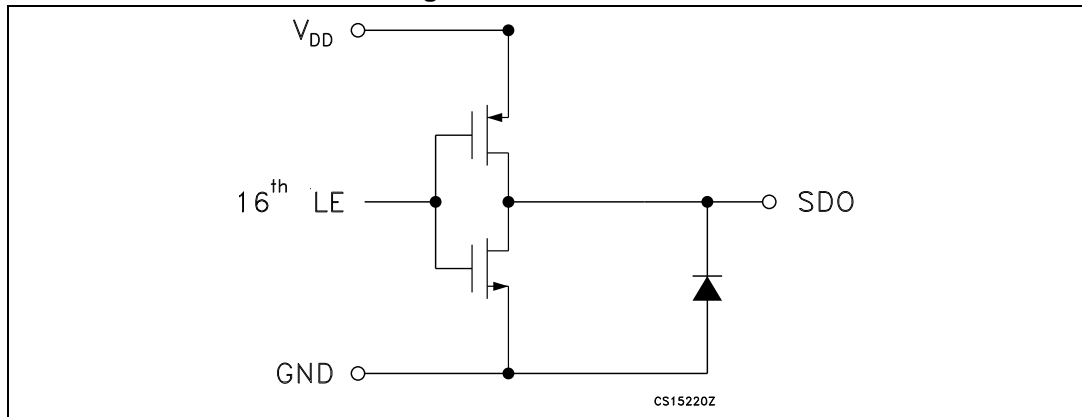
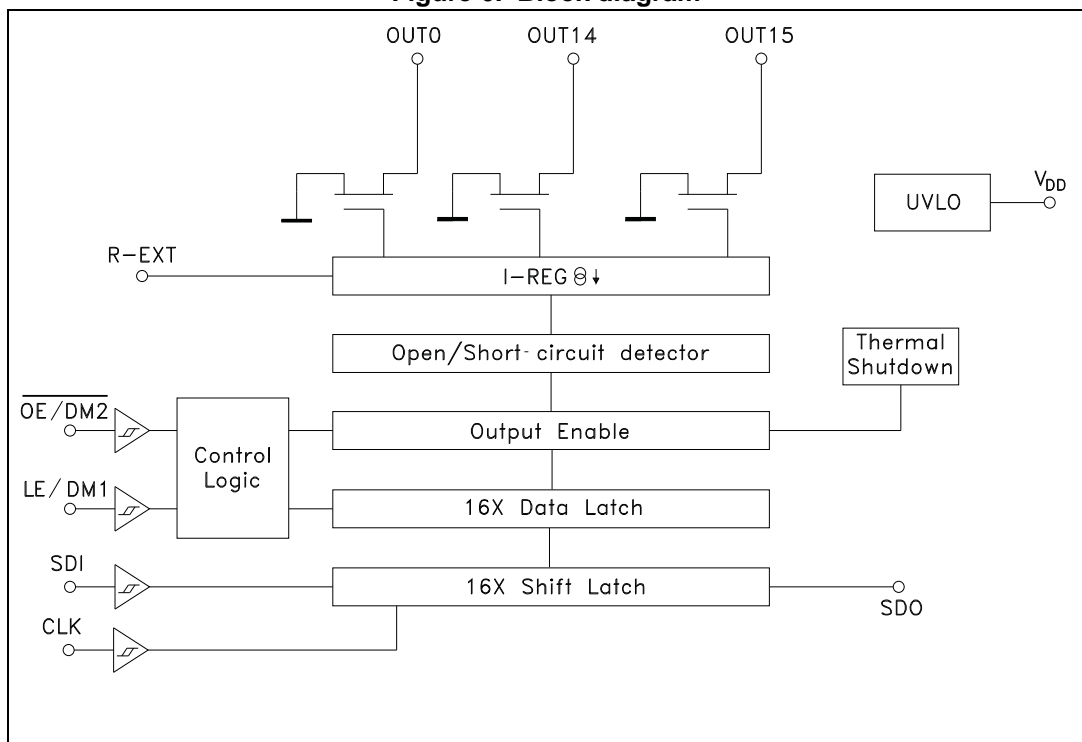


Figure 6. Block diagram



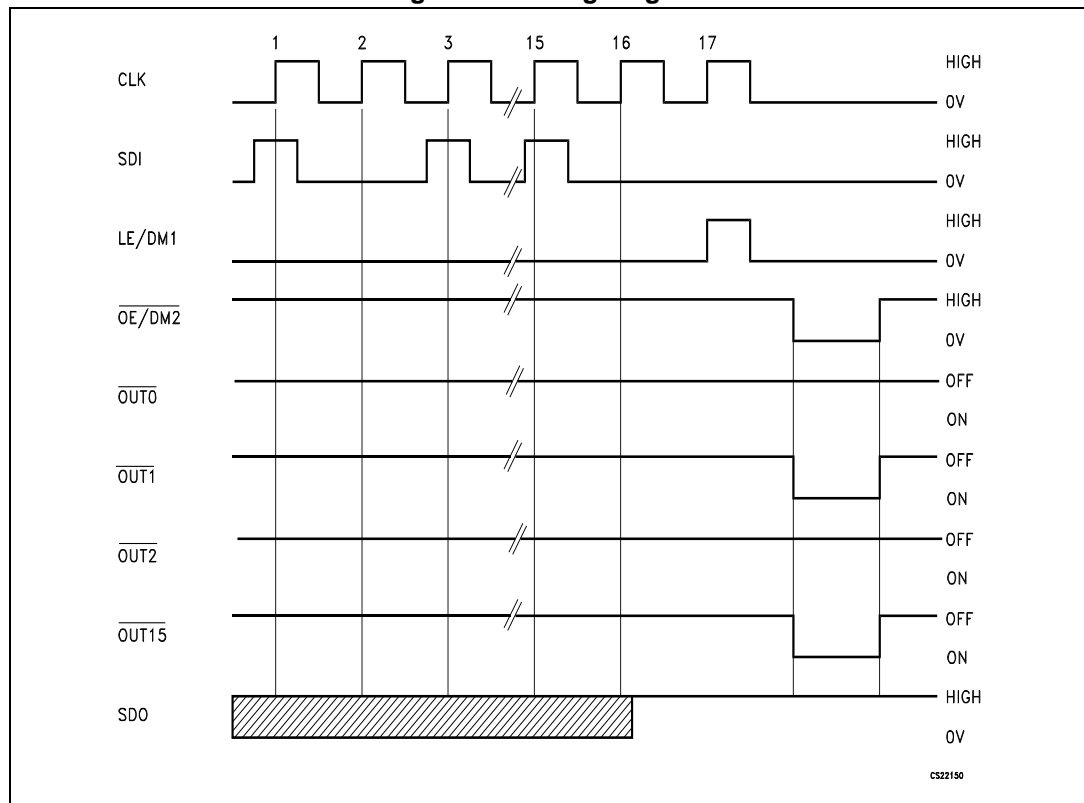
5 Timing diagrams

Table 9. Truth table

Clock	LE/DM1	$\overline{OE/DM2}$	Serial-in	$\overline{OUT0}$ $\overline{OUT7}$ $\overline{OUT15}$	SDO
	H	L	Dn	Dn..... Dn - 7..... Dn - 15	Dn - 15
	L	L	Dn + 1	No change	Dn - 14
	H	L	Dn + 2	Dn + 2..... Dn - 5..... Dn - 13	Dn - 13
	X	L	Dn + 3	Dn + 2..... Dn - 5..... Dn - 13	Dn - 13
	X	H	Dn + 3	OFF	Dn - 13

Note: $OUTn = ON$ when $Dn = H$ $OUTn = OFF$ when $Dn = L$.

Figure 7. Timing diagram



Note: Latch and output enable are level-sensitive and they are not synchronized with rising or falling edge of CLK signal. When LE/DM1 terminal is low level, the latch circuits hold the previous set of data. When LE/DM1 terminal is high level, the latch circuits refresh new set of data from SDI chain. When $\overline{OE/DM2}$ terminal is at low level, the output terminals - Out0 to Out15 respond to data in the latch circuits, either '1' ON or '0' OFF. When $\overline{OE/DM2}$ terminal is at high level, all output terminals are switched OFF.

Figure 8. Clock, serial-in, serial-out

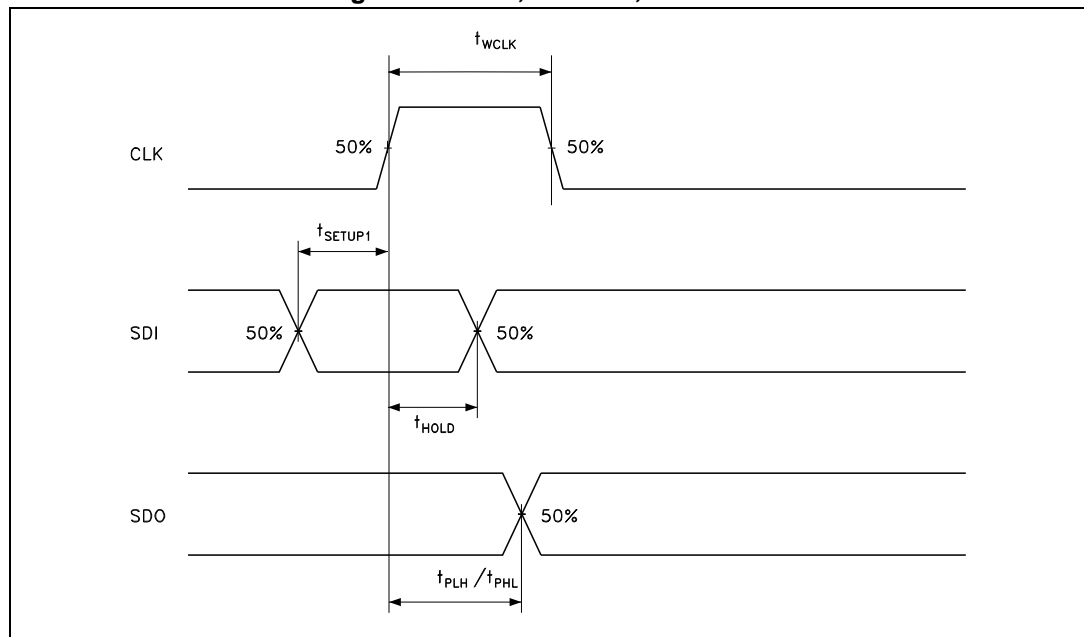


Figure 9. Clock, serial-in, latch, enable, outputs

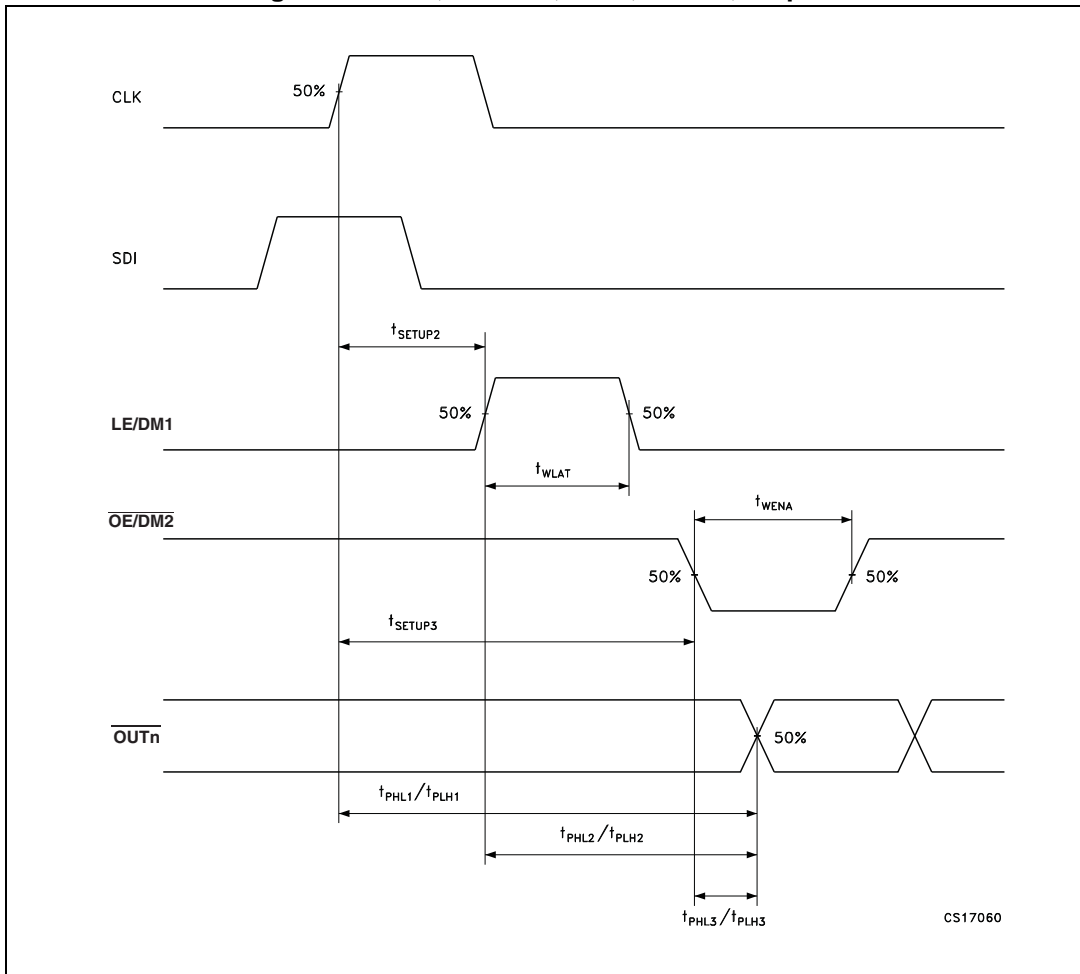
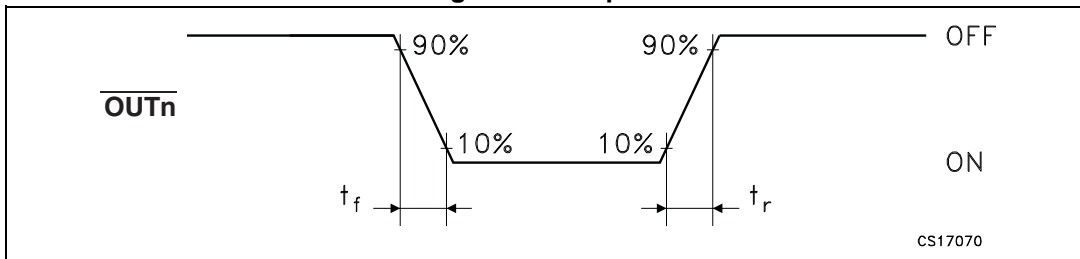
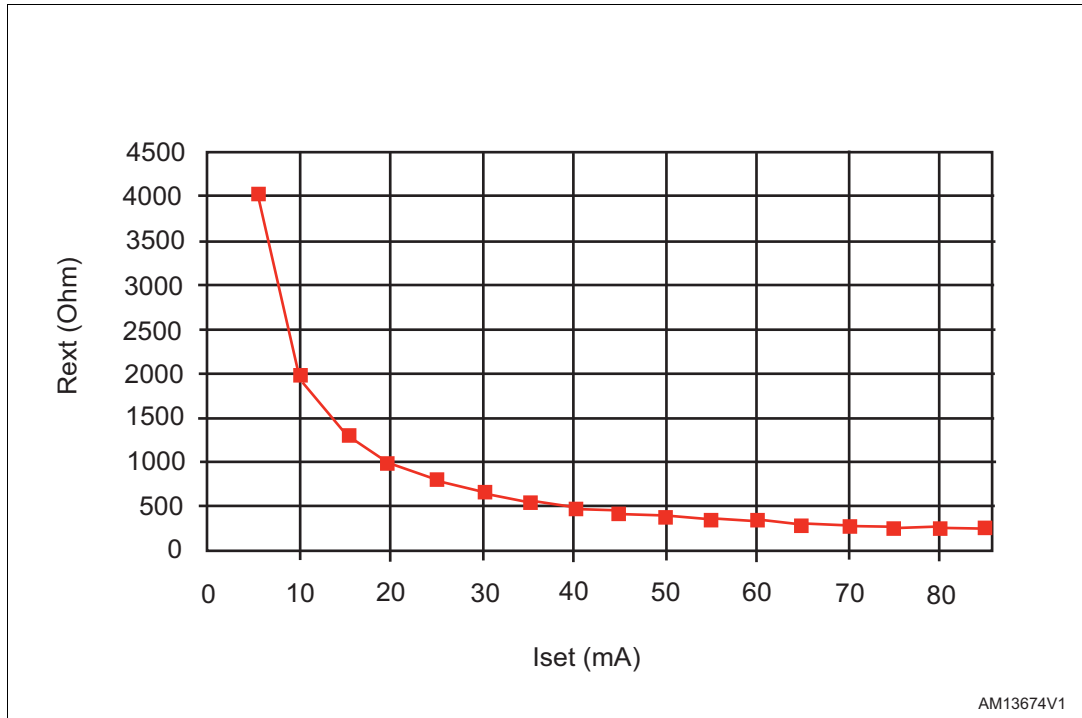


Figure 10. Outputs



6 Typical characteristics

Figure 11. Output current- R_{EXT} resistor



AM13674V1

Table 10. Output current- R_{EXT} resistor

$R_{EXT}(\Omega)$	Output current (mA)
976	20
780	25
652	30
560	35
488	40
433	45
389	50
354	55
325	60
300	65
278	70
259	75
241	80
229	85

Conditions:

- Temperature = 25 °C, $V_{DD} = 3.3\text{ V}; 5.0\text{ V}$, $I_{SET} = 3\text{ mA}; 5\text{ mA}; 10\text{ mA}; 20\text{ mA}; 50\text{ mA}; 80\text{ mA}$.

Figure 12. I_{SET} vs. dropout voltage (V_{drop})

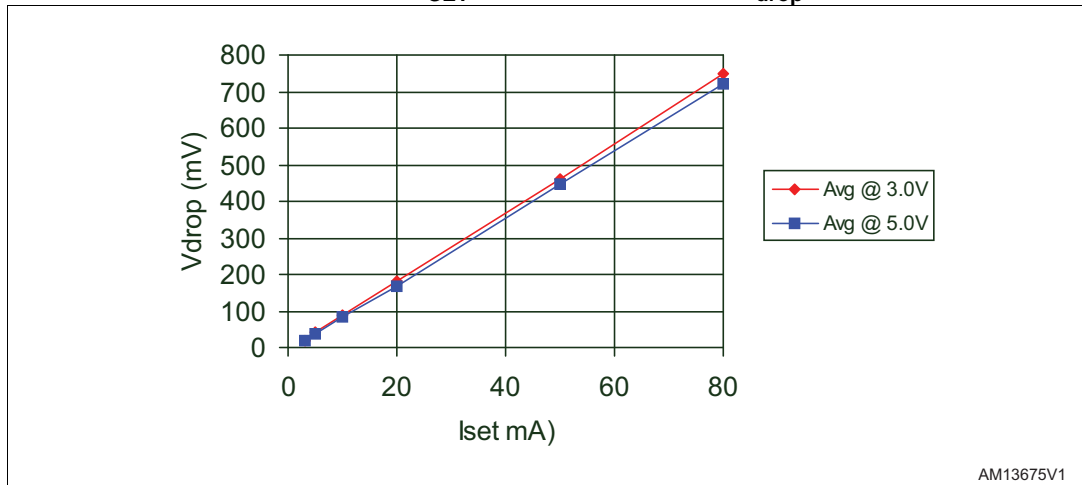
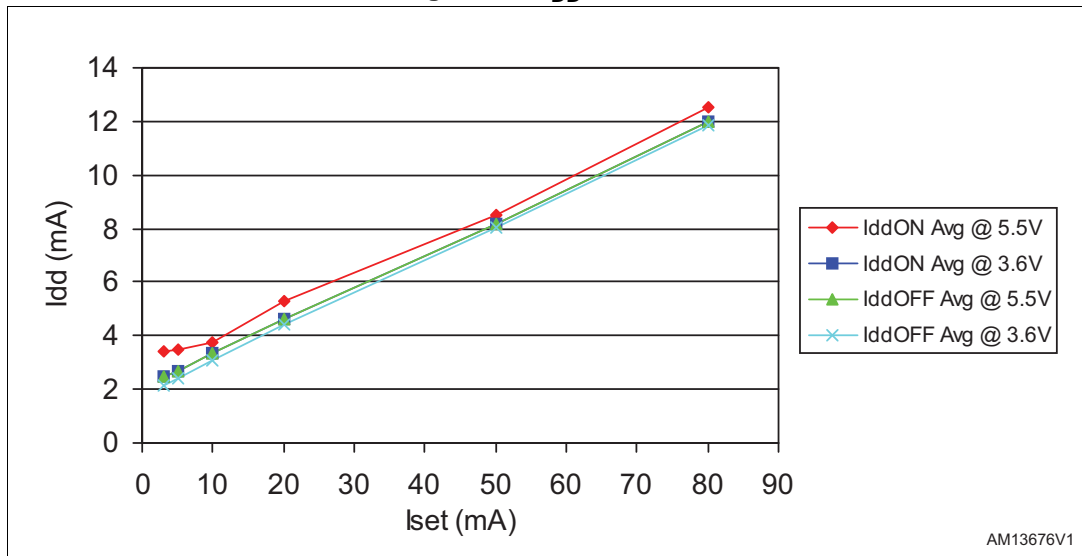


Table 11. I_{SET} vs. dropout voltage (V_{drop})

I_{out} (mA)	Avg @ 3.0 V	Avg @ 5.0 V
3	19.33	22.66
5	36.67	40.33
10	77.33	80
20	158.67	157.33
50	406	406
80	692	668

Figure 13. I_{DD} ON/OFF



7 Detection mode functionality

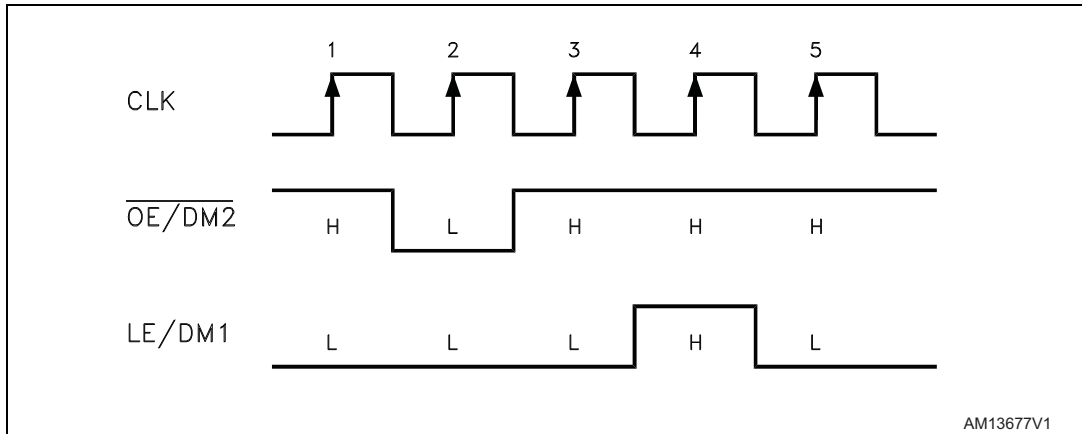
7.1 Phase one: “entering in detection mode“

From the “normal mode” condition the device can switch to the “error mode” by a logic sequence on the $\overline{OE}/DM2$ and $LE/DM1$ pins as shown in the following table and diagram:

Table 12. Entering in detection truth table

CLK	1°	2°	3°	4°	5°
$\overline{OE}/DM2$	H	L	H	H	H
$LE/DM1$	L	L	L	H	L

Figure 14. Entering in detection timing diagram

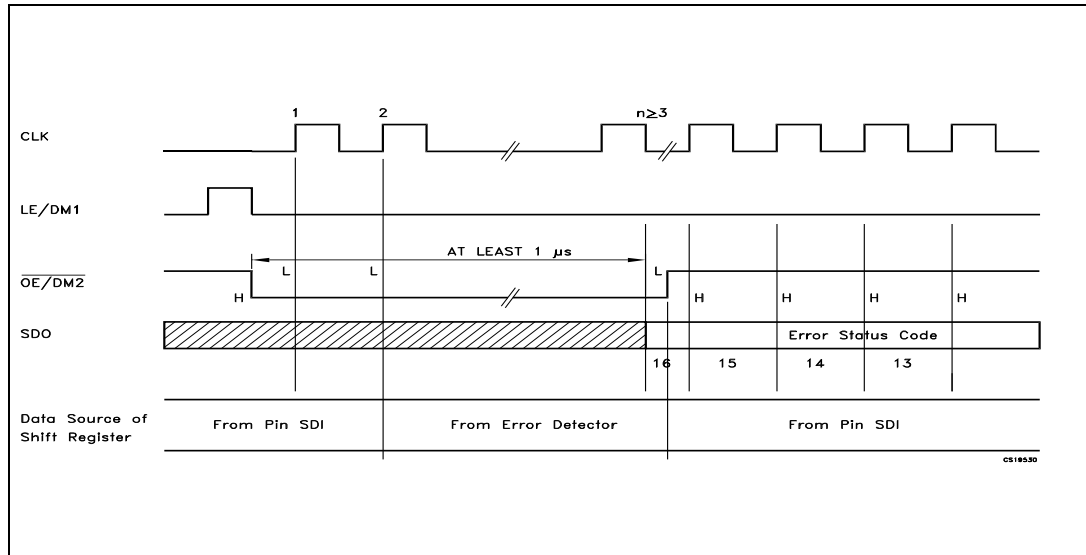


After these five CLK cycles the device goes into the “error detection mode” and at the 6th rising edge of CLK the SDI data are ready for sampling.

7.2 Phase two: “error detection”

The 16 data bits must be set to “1” in order to set ON all the outputs during the detection. The data are latched by LE/DM1 and after that the outputs are ready for the detection process. When the microcontroller switches the OE/DM2 to LOW, the device drives the LEDs in order to analyze if an OPEN or SHORT condition has occurred.

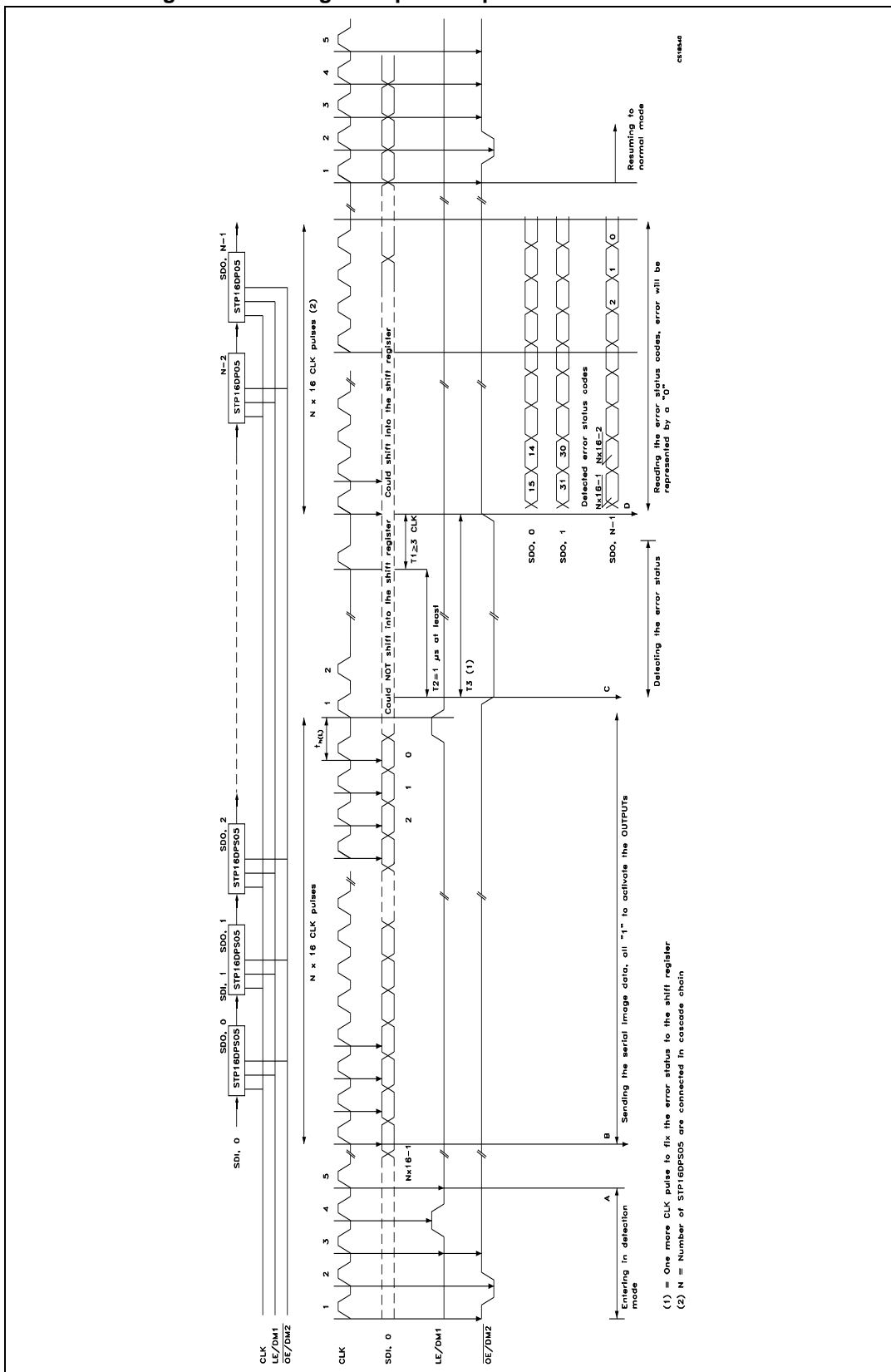
Figure 15. Detection diagram



The LED status is detected at least in 1 microsecond (minimum) and after this time the microcontroller sets OE/DM2 in high state and the output data detection result goes to the microprocessor via SDO.

Detection mode and normal mode both use the same data format. As soon as all the detection data bits are available on the serial line, the device may go back to normal mode of operation. To re-detect the status, the device must go back in normal mode and re-enter error detection mode.

Figure 16. Timing example for open and/or short detection



7.3 Phase three: “resuming to normal mode”

The sequence for re-entering in normal mode is shown in the following table and diagram:

Figure 17. Resuming to normal mode timing diagram

CLK	1°	2°	3°	4°	5°
$\overline{\text{OE/DM2}}$	H	L	H	H	H
LE/DM1	L	L	L	L	L

Note: For proper device operation the “entering in detection” sequence must be followed by a “resume mode” sequence, it is not possible to insert consecutive equal sequences.

7.4 Error detection conditions

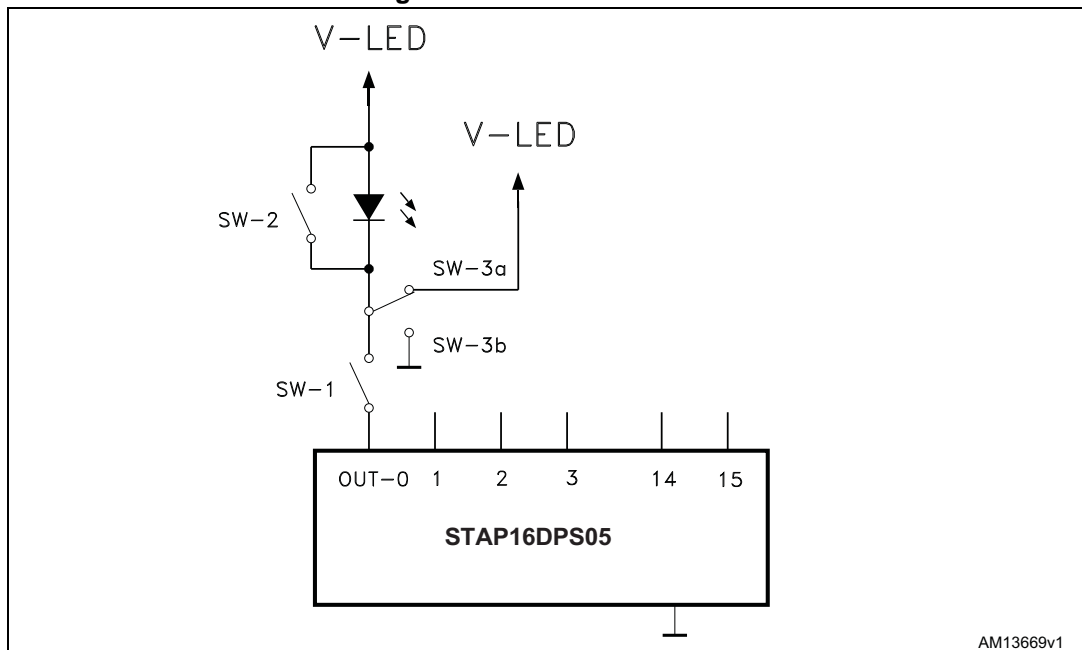
$V_{DD} = 3.3$ to 5 V temperature range -40 to 125 °C

Table 13. Detection conditions

Configuration	Detection mode	Detection results		
SW-1 or SW-3b	Open line or output short to GND detected	$\implies I_{ODEC} \leq 0.5 \times I_O$	No error detected	$\implies I_{ODEC} \geq 0.5 \times I_O$
SW-2 or SW-3a	Short on LED or short to V-LED detected	$\implies V_O \geq 2.4$ V	No error detected	$\implies V_O \leq 2.2$ V

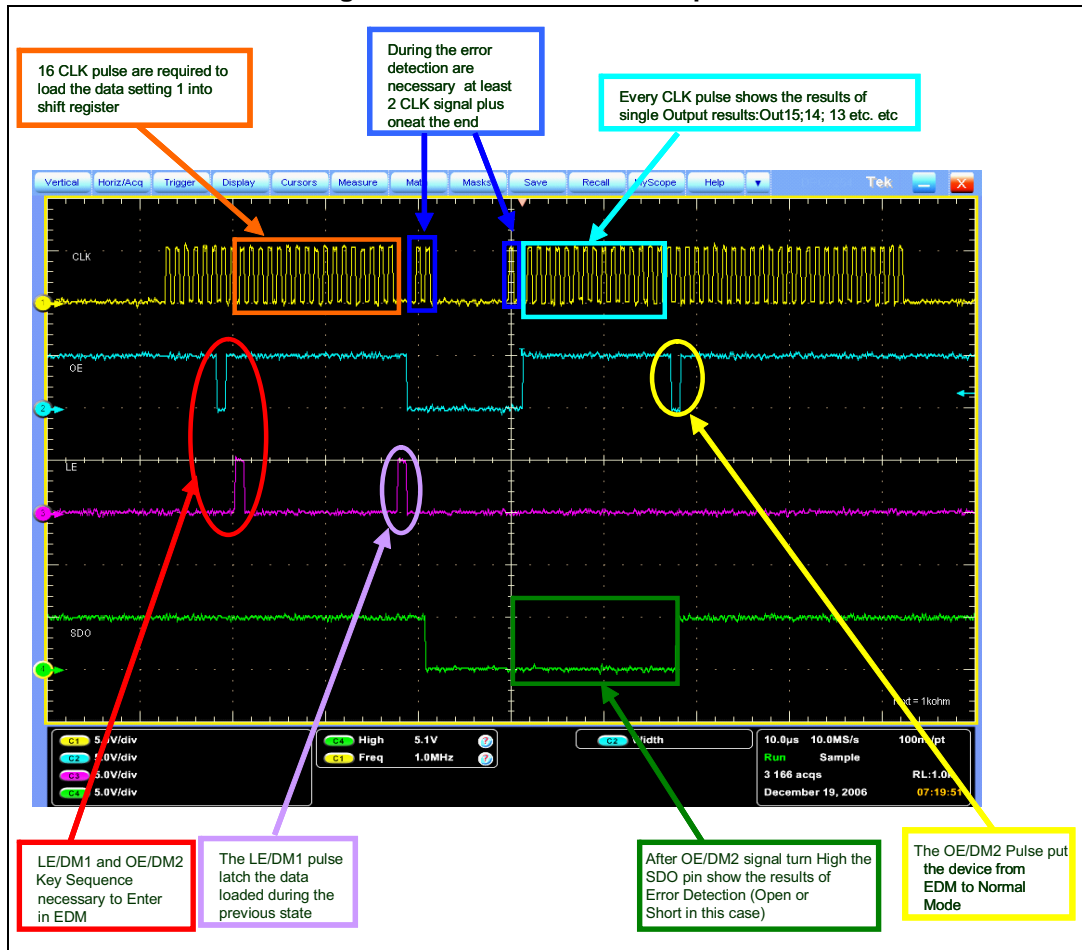
Note: Where: I_O = the output current programmed by the R_{EXT} , I_{ODEC} = the detected output current in detection mode.

Figure 18. Detection circuit



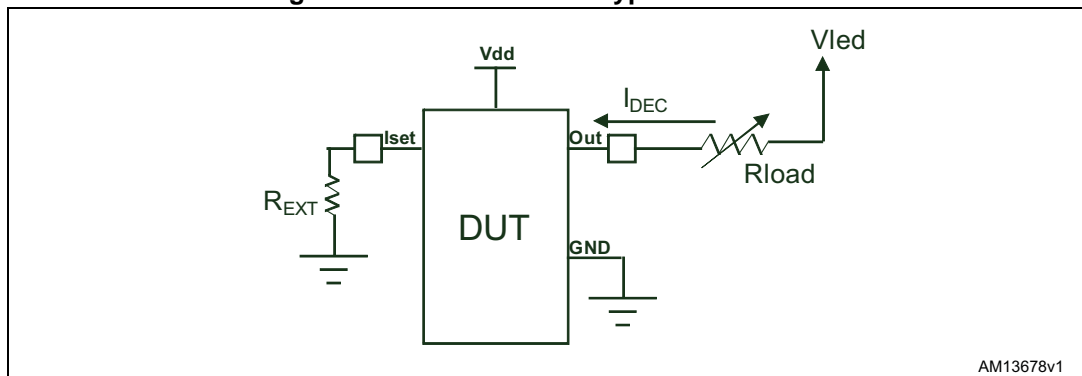
AM13669v1

Figure 19. Error detection sequence



Typical schematic used to perform the error detection:

Figure 20. Error detection typical schematic



I_{ODEC} can be measured as follows:

$$I_{ODEC} = (V_{LED} - V_{load}) / R_{load}$$

Table 14 and Table 15 show respectively the I_{ODEC} average value at 3.3 V and 5.0 V.

The I_{ODEC} is the current value recognized by the device output open error detection.

Table 14. I_{ODEC} average value at 3.3 V

Vdd (V)	Iset (mA)	R _{EXT} (Ω)	Iout AVG (mA)
3.3	5	4270	2.097
	10	2056	6.79
	20	1006	10.46
	50	382	26.92
	80	251	35.03

Table 15. I_{ODEC} average value at 5 V

Vdd (V)	Iset (mA)	R _{EXT} (Ω)	Iout AVG (mA)
5	5	4270	1.98
	10	2056	6.09
	20	1006	9.67
	50	382	25.54
	80	251	38.9

7.5 Auto power-saving

The auto power-saving feature minimizes the quiescent current if no active data is detected on the latches and auto powers-up the device as the first active data is latched.

Figure 21. Auto power-saving feature



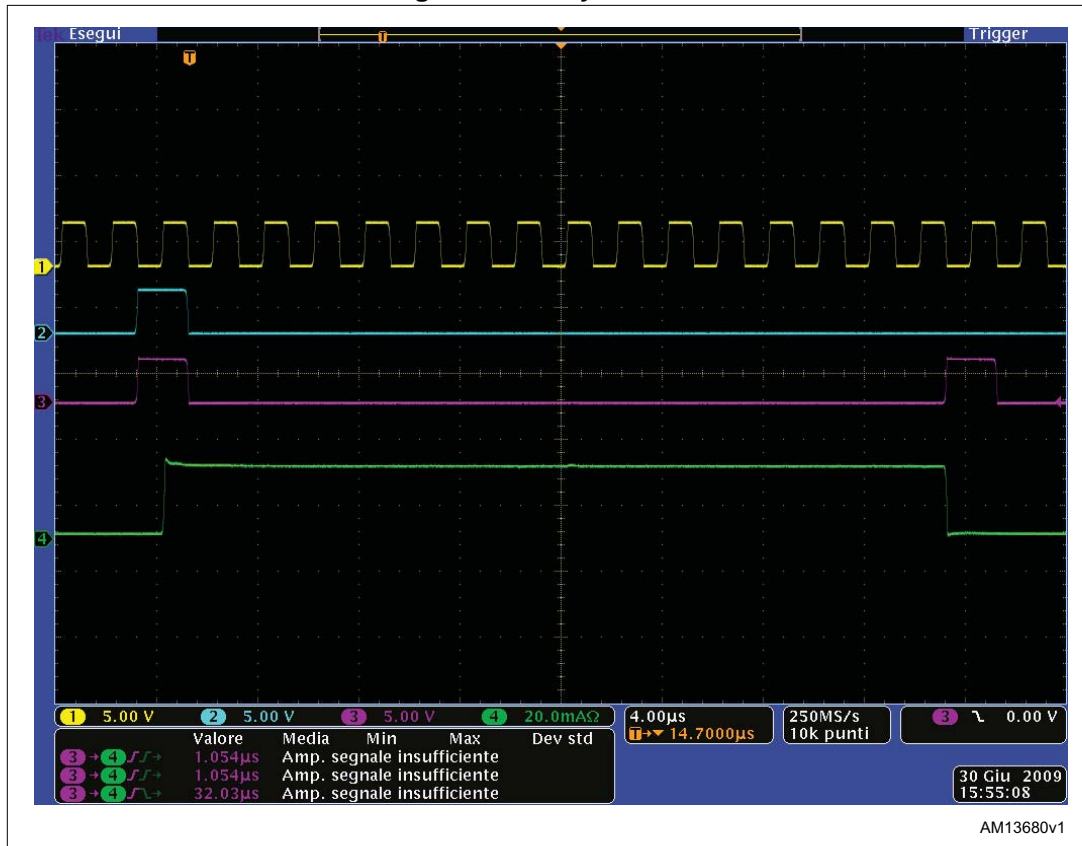
Conditions:

- Temp. = 25 °C, $V_{DD} = 3.3$ V, $V_{in} = V_{DD}$, $V_{Led} = 3.0$ V, $I_{set} = 20$ mA
- Ch1 (yellow) = I_{DD} , Ch2 (blue) = SDI, Ch3 (purple) = LE/DM1, Ch4 (green) = CLK

I_{dd} consumption:

- I_{dd} (normal operation) = 5.15 mA
- I_{dd} (shutdown condition) = 163 μ A

Figure 22. Delay LE-OUT



After 16 clock cycles without data change, the auto power-saving mode starts as expected. Delay TLE-OUT = 1.053 μs

Conditions:

- Temp. = 25 °C, V_{DD} = 3.3 V, V_{in} = V_{DD}, V_{Led} = 3.0 V, I_{set} = 20 mA
- Ch1 (yellow) = CLK, Ch2 (blue) = SDI, Ch3 (purple) = LE/DM1, Ch4 (green) = IOUT

Figure 23. Auto power-saving behavior



Note: When the device goes from auto power-saving to normal operating condition, the first output switching ON shows the T_{ON} condition as seen in the plot above.
 Temp. = 25°C, V_{DD} = 3.3 V, V_{in} = V_{DD} , V_{Led} = 3.0 V, I_{set} = 20 mA
 Ch1 (yellow) = I_{DD} , Ch2 (blue) = SDI, Ch3 (purple) = LE/DM1, Ch4 (green) = CLK.

8 Package information

In order to meet environmental requirements, ST offers these devices in different grades of ECOPACK[®] packages, depending on their level of environmental compliance. ECOPACK[®] specifications, grade definitions and product status are available at: www.st.com. ECOPACK[®] is an ST trademark.

8.1 TSSOP24 exposed pad package information

Figure 24. TSSOP24 exposed pad package outline

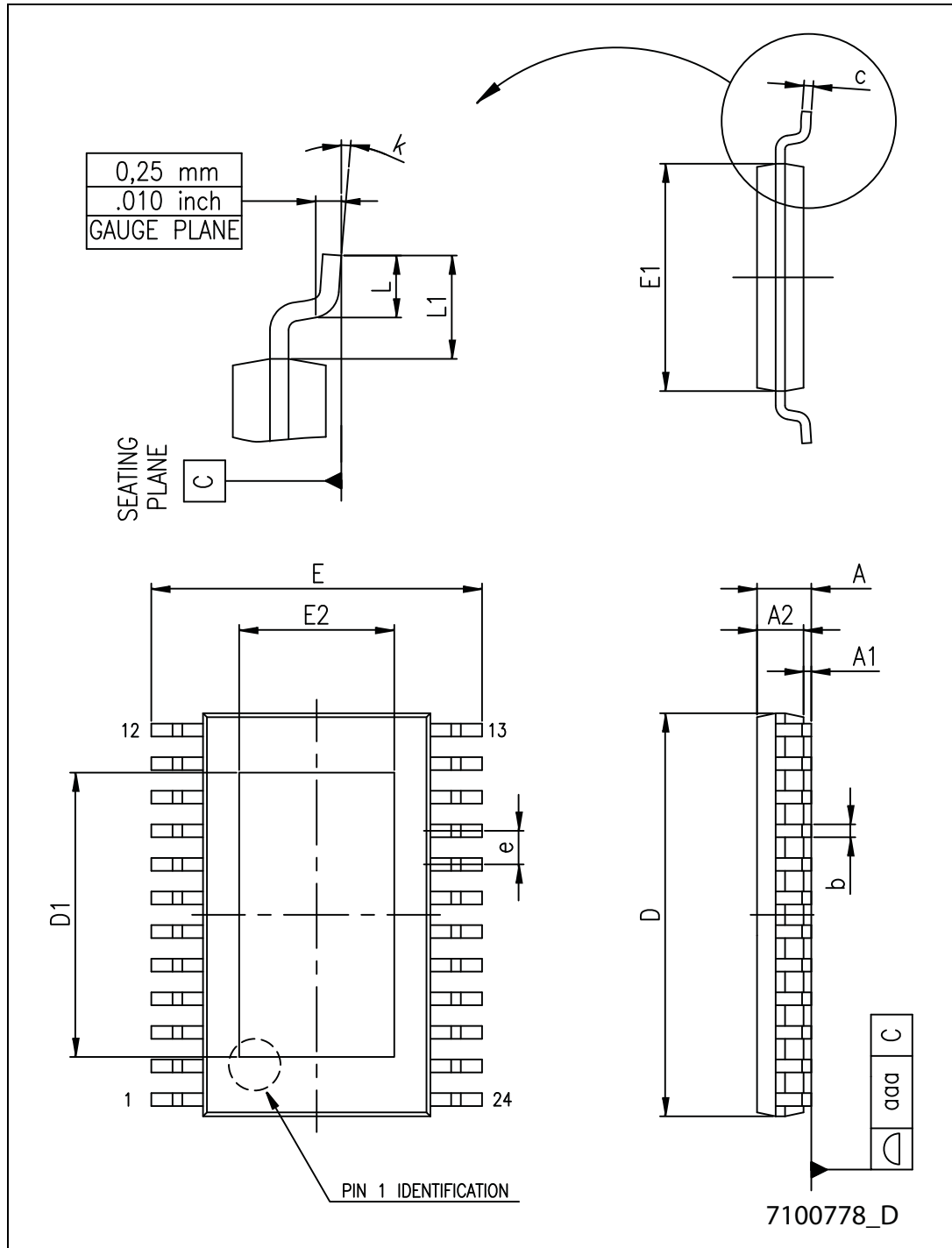


Table 16. TSSOP24 exposed pad mechanical data

Symbol	mm		
	Min.	Typ.	Max.
A			1.20
A1			0.15
A2	0.80	1.00	1.05
b	0.19		0.30
c	0.09		0.20
D	7.70	7.80	7.90
D1	4.80	5.00	5.2
E	6.20	6.40	6.60
E1	4.30	4.40	4.50
E2	3.00	3.20	3.40
e		0.65	
L	0.45	0.60	0.75
L1		1.00	
k	0		8
aaa			0.10

8.2 TSSOP24 exposed pad packing information

Figure 25. TSSOP24 exposed pad tape and reel outline

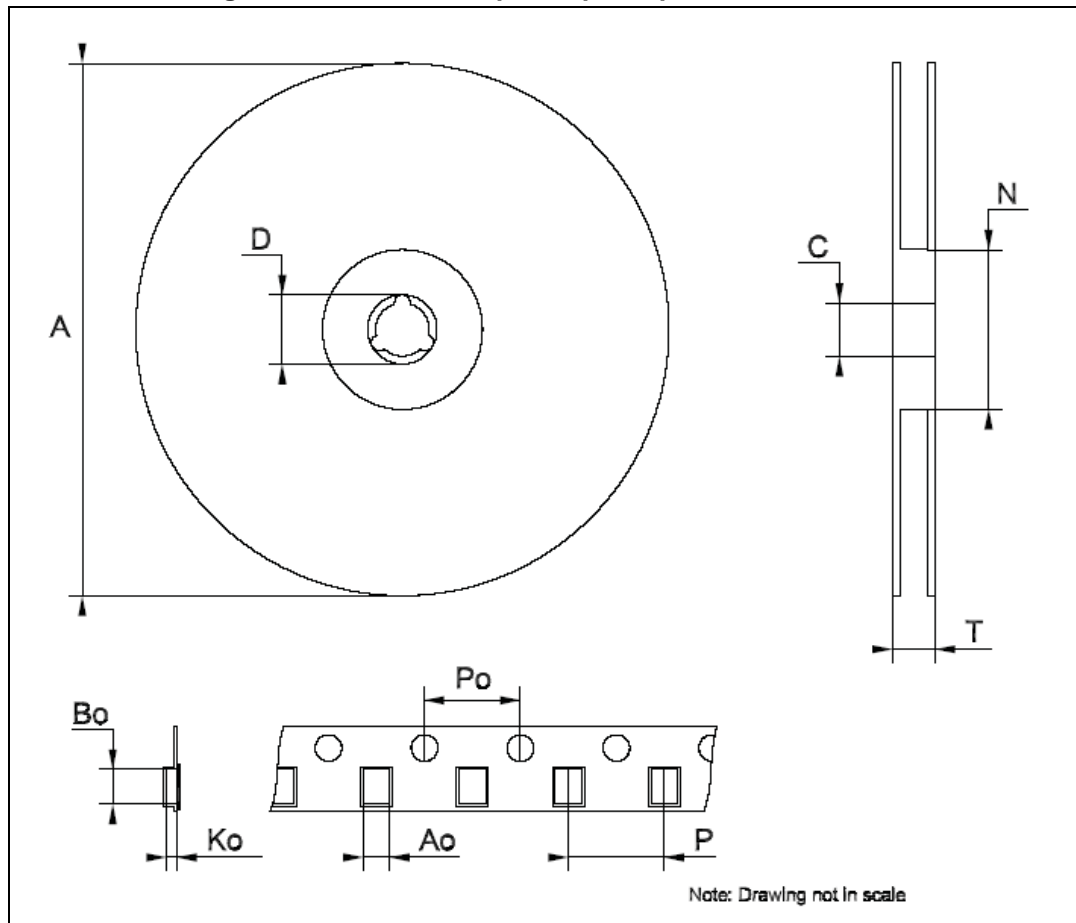


Table 17. TSSOP24 exposed pad tape and reel mechanical data

Dim.	mm		
	Min.	Typ.	Max.
A			330
C	12.8		13.2
D	20.2		
N	60		
T			22.4
Ao	6.8		7
Bo	8.2		8.4
Ko	1.7		1.9
Po	3.9		4.1
P	11.9		12.1

9 Revision history

Table 18. Document revision history

Date	Revision	Changes
21-May-2013	1	Initial release.
01-Jul-2013	2	Added footnote in Table 8: Switching characteristics.
11-Oct-2013	3	Modified T_{OPR} value in Table 4: Absolute maximum ratings.
10-Mar-2014	4	Modified footnote 1 in Table 8: Switching characteristics. Added footnote 2 in Table 8: Switching characteristics. Updated Table 3: Pin description.
05-Jun-2014	5	Updated Table 16: TSSOP24 exposed pad mechanical data. Minor text changes.
10-Nov-2015	6	Updated features in cover page. Minor text changes.

IMPORTANT NOTICE – PLEASE READ CAREFULLY

STMicroelectronics NV and its subsidiaries ("ST") reserve the right to make changes, corrections, enhancements, modifications, and improvements to ST products and/or to this document at any time without notice. Purchasers should obtain the latest relevant information on ST products before placing orders. ST products are sold pursuant to ST's terms and conditions of sale in place at the time of order acknowledgement.

Purchasers are solely responsible for the choice, selection, and use of ST products and ST assumes no liability for application assistance or the design of Purchasers' products.

No license, express or implied, to any intellectual property right is granted by ST herein.

Resale of ST products with provisions different from the information set forth herein shall void any warranty granted by ST for such product.

ST and the ST logo are trademarks of ST. All other product or service names are the property of their respective owners.

Information in this document supersedes and replaces information previously supplied in any prior versions of this document.

© 2015 STMicroelectronics – All rights reserved

Mouser Electronics

Authorized Distributor

Click to View Pricing, Inventory, Delivery & Lifecycle Information:

[STMicroelectronics:](#)

[STAP16DPS05XTTR](#)