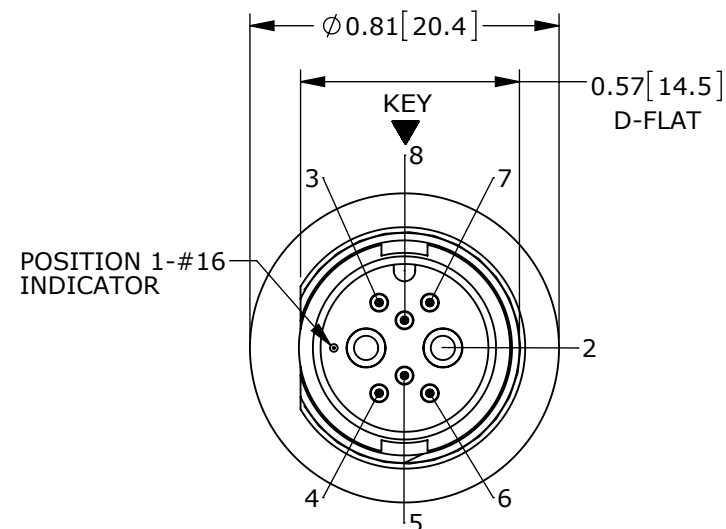
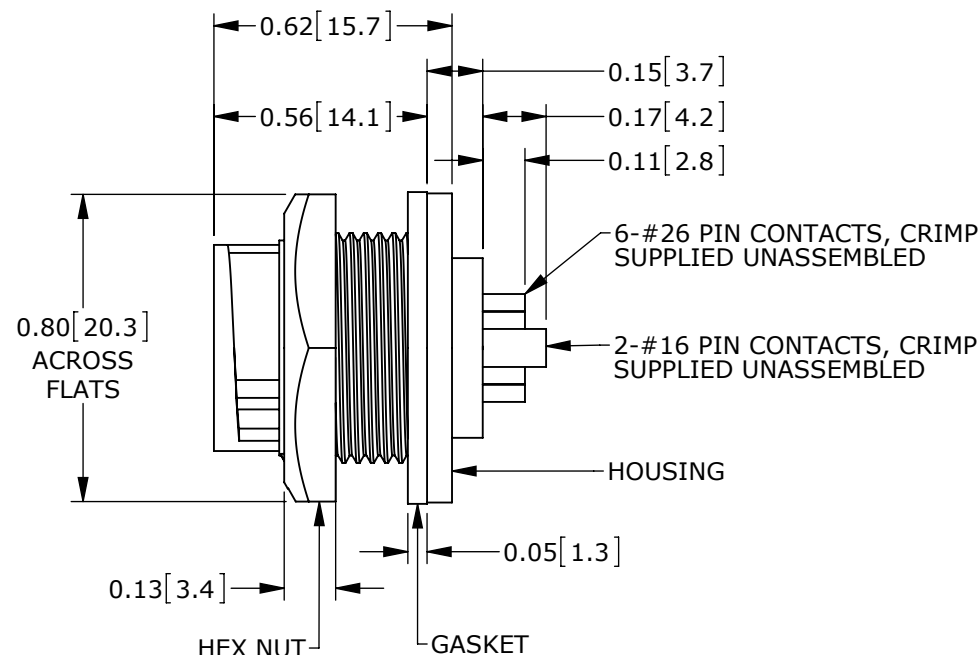


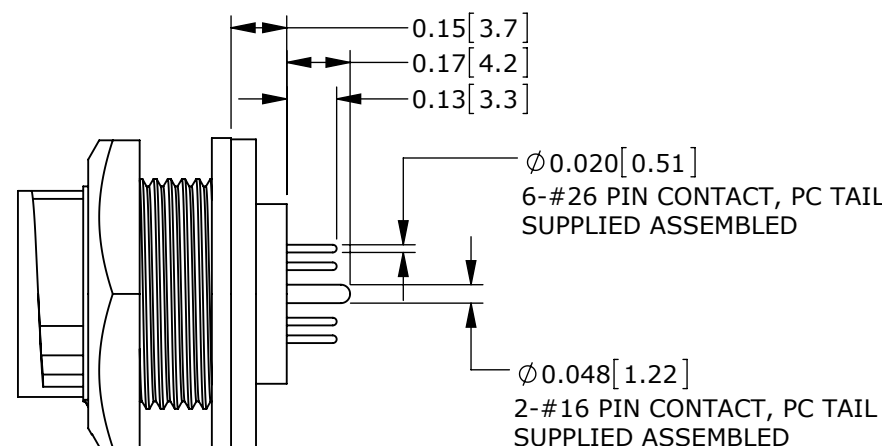
CUSTOMER PRINT

PART NUMBER: W7A8X-8PG-3XX_CD

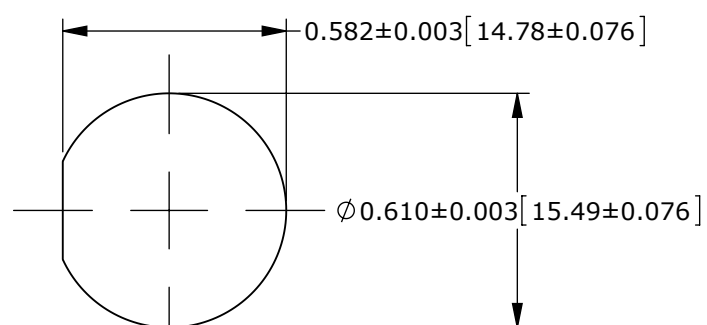
NOTES:
 1. ALL PARTS TO BE BULK PACKED.
 2. SEE DRAWING HPMIMIX FOR HOLE PATTERN.
 3. DIMENSIONS ARE FOR REFERENCE ONLY.



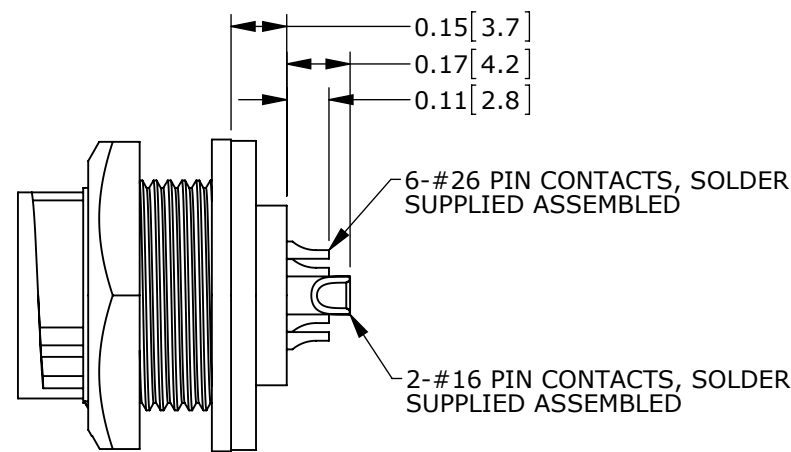
MATING FACE
 ASSY: W7A81-8PG-3ES SHOWN



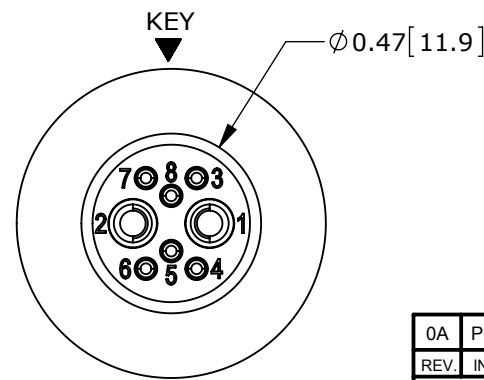
ASSEMBLED VIEW
 ASSY: W7A81-8PG-3ES SHOWN



RECOMMENDED PANEL CUTOUT

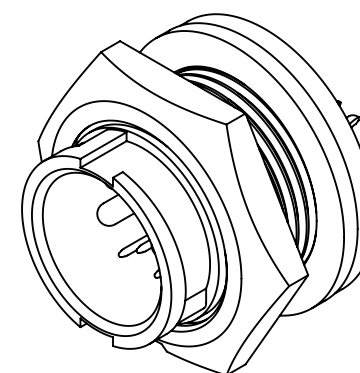


ASSEMBLED VIEW
 ASSY: W7A82-8PG-300 SHOWN



WIRING END
 ASSY: W7A82-8PG-300 SHOWN

CONNECTOR P/N	POSITIONS		CONTACT STYLE	EPOXY
	#16	#26		
W7A80-8PG-300	2	6	CRIMP	(NONE)
W7A81-8PG-300			PC TAIL	(NONE)
W7A81-8PG-3ES			PC TAIL	ES
W7A82-8PG-300			SOLDER	(NONE)
W7A82-8PG-3ES			SOLDER	ES



CUSTOMER APPROVAL
 THIS DOCUMENT CONTAINS CONFIDENTIAL INFORMATION PROPRIETARY TO CONXALL CORPORATION. ANY REPRODUCTION, DISCLOSURE, OR USE OF THIS DOCUMENT /INFORMATION IS EXPRESSLY PROHIBITED UNLESS AUTHORIZED IN WRITING BY CONXALL CORPORATION.
 APPROVED BY: _____
 DATE: _____

PRELIMINARY

RoHS COMPLIANT

0A	PNK	10-29-14	PDR 14001 PRELIMINARY	
REV.	INIT.	DATE	DESCRIPTION	
			ORIG. DRAWN BY: PNK	DATE: 10-29-14
ALL INFORMATION ILLUSTRATED IS THE PROPERTY OF CONXALL CORPORATION. UNAUTHORIZED DUPLICATION OR DISTRIBUTION OF THIS DOCUMENT IS PROHIBITED.				
ALL UNITS ARE IN FEET, INCHES, FRACTION OF INCHES AND DECIMALS. UNLESS OTHERWISE SPECIFIED TOLERANCES: 3 PLACE DECIMALS ±.005 ANGLES ±1° FRACTIONS ±1/16			APPROVED BY:	TITLE: PANEL-MOUNT CONNECTOR 2-16 + 6-26 PIN CONTACTS MINI-CON-X POWER/SIGNAL STANDARD PRODUCT
FILE: W7A8X-8PG-3XX_CD	DIRECTORY: SLW	PART NUMBER: W7A8X-8PG-3XX_CD	SCALE: NTS	SIZE: B
			SHEET: 1 OF 1	CUSTOMER: STANDARD PRODUCT
				REV 0A

Mouser Electronics

Authorized Distributor

Click to View Pricing, Inventory, Delivery & Lifecycle Information:

[Switchcraft:](#)

[W7A80-8PG-300](#) [W7A81-8PG-3ES](#) [W7A81-8PG-300](#) [W7A82-8PG-3ES](#) [W7A82-8PG-300](#)