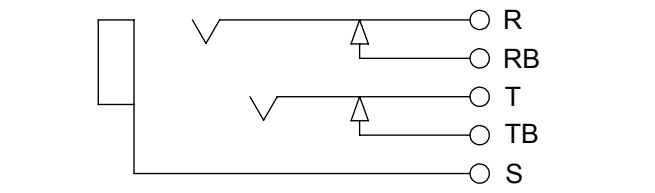
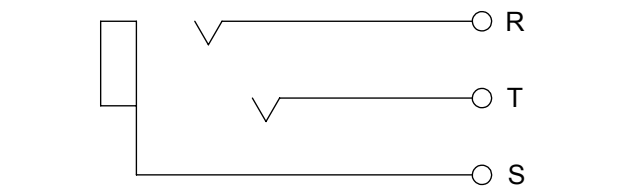
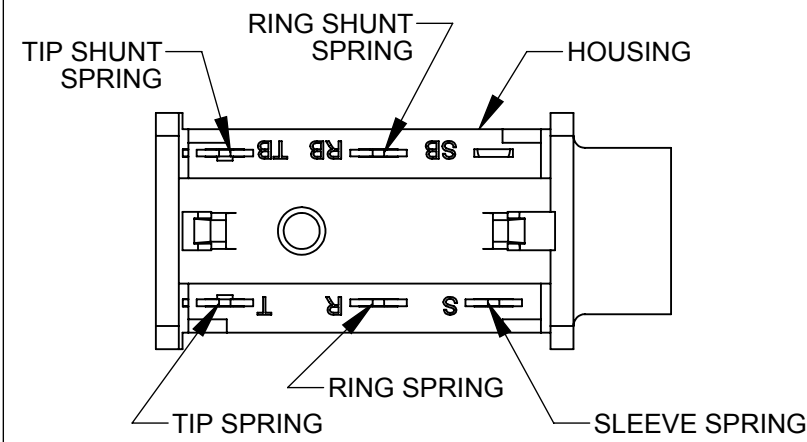
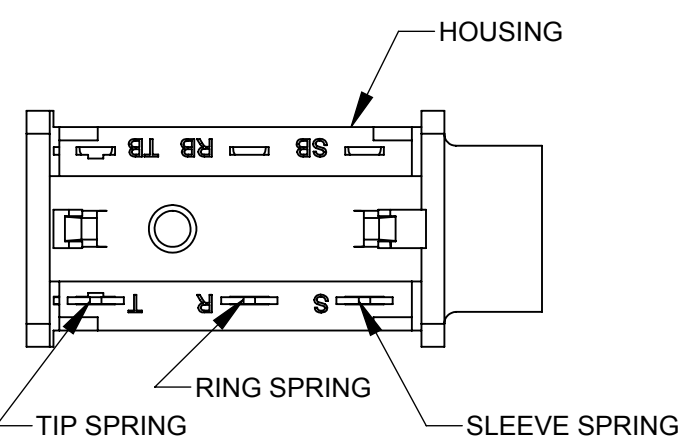
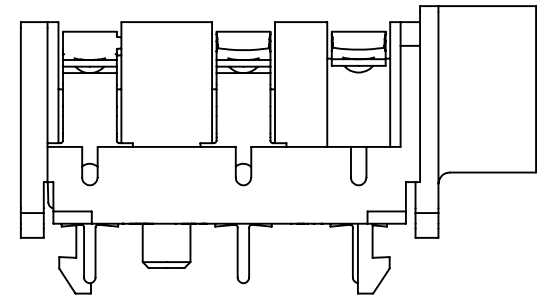
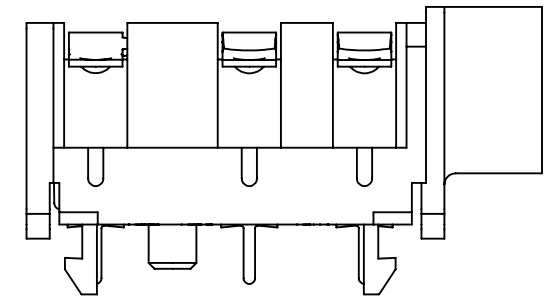


2 CONDUCTOR SINGLE OPEN CIRCUIT

2 CONDUCTOR SINGLE CLOSED CIRCUIT

SN37A11

SN37A12A

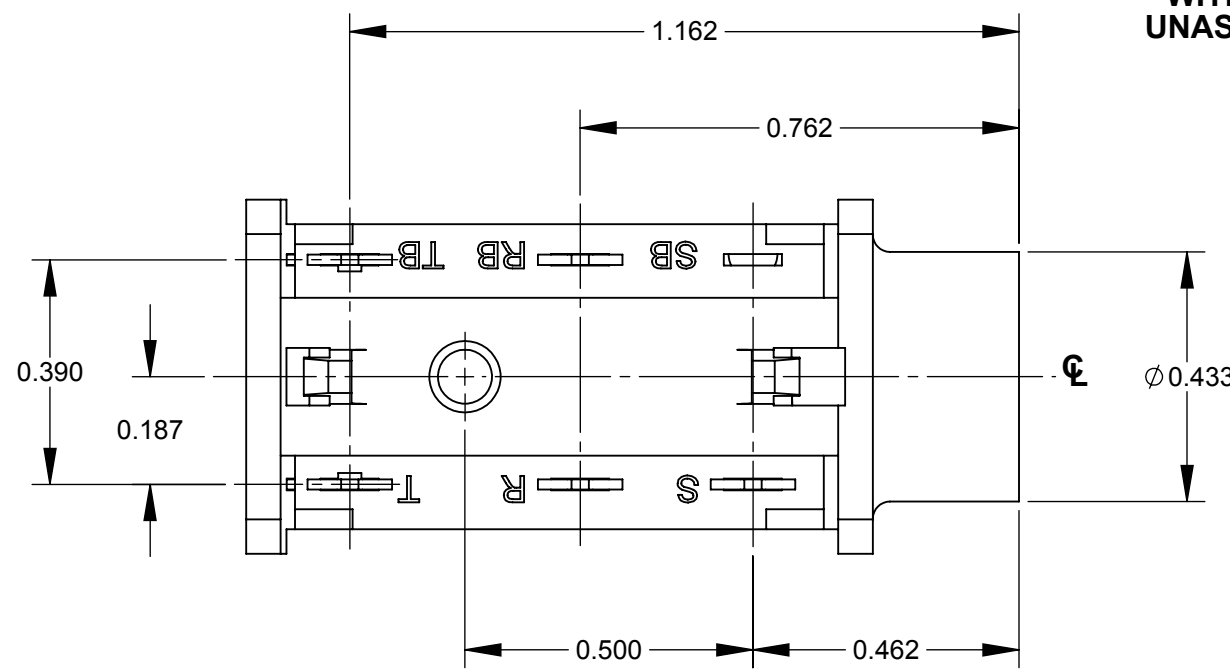
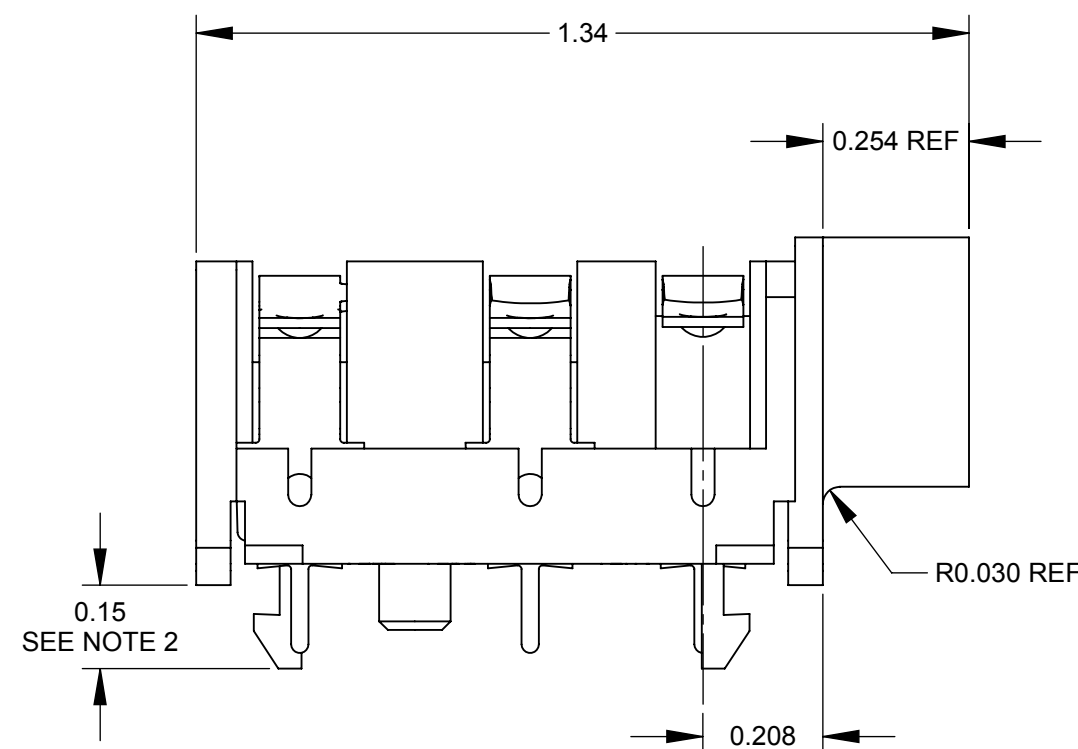


3 CONDUCTOR DOUBLE OPEN CIRCUIT

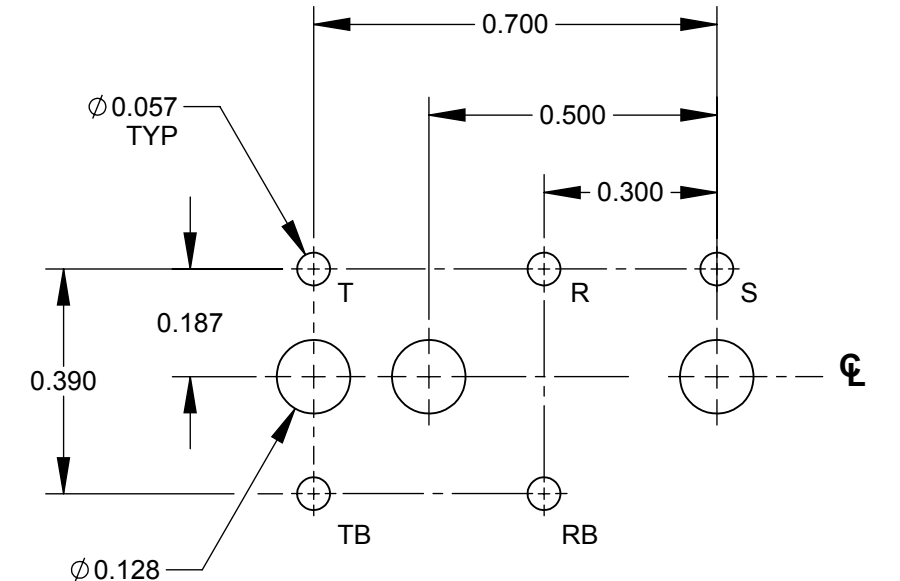
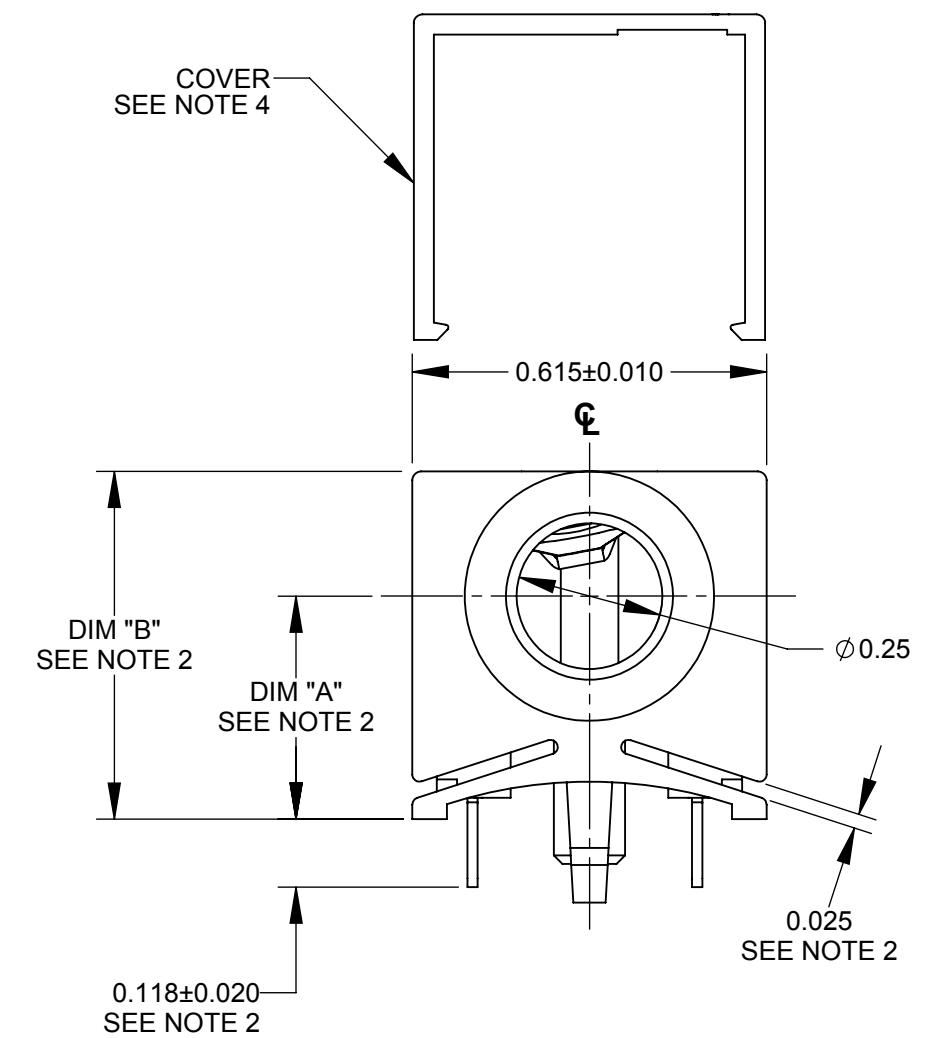
3 CONDUCTOR DOUBLE CLOSED CIRCUIT

SN37A12B

SN37A14B



**SN37A14B
SHOWN
WITH COVER
UNASSEMBLED**



**RECOMMENDED
PC BOARD LAYOUT
COMPONENT SIDE**

NOTES:

- MAY BE USED WITH PC BOARD THICKNESSES RANGING FROM 0.054 - 0.070.
- THESE DIMENSIONS VARY DEPENDING ON PCB THICKNESS. DIMENSIONS SHOWN ARE FREE STATE AS SHIPPED.
- MATERIAL SPECIFICATIONS:
HOUSING - THERMOPLASTIC, BLACK
SPRINGS - SPECIAL COPPER ALLOY, TINNED
COVER - THERMOPLASTIC, BLACK
- COVER SHIPPED ASSEMBLED ON ALL PART NUMBERS.
- THESE PRODUCTS ARE RoHS COMPLIANT.

PART NUMBER	DIM "A"		DIM "B"	
	FREE STATE	WITH 0.062 THICK PCB	FREE STATE	WITH 0.062 THICK PCB
SN37A11	0.387	0.375	0.604	0.592
SN37A12A	0.387	0.375	0.604	0.592
SN37A12B	0.387	0.375	0.604	0.592
SN37A14B	0.387	0.375	0.604	0.592

REV	ECO NUMBER	DATE	BY	APVD
F	CAD REDRAW WAS REV A - ECO #27409	11/17/14	PC	TJK
REVISIONS				

UNLESS OTHERWISE SPECIFIED
1. ALL DIMENSIONS IN INCHES
- TWO PLACE DECIMALS ±0.02
- THREE PLACE DECIMALS ±0.005

DO NOT SCALE DRAWING

CUSTOMER DRAWING

THIS DRAWING DESCRIBES A DESIGN CONSIDERED PROPRIETARY IN NATURE, DEVELOPED AND MANUFACTURED BY SWITCHCRAFT INC. AND IS RELEASED ON A CONFIDENTIAL BASIS FOR IDENTIFICATION PURPOSES ONLY.

SIZE	WIDTH	MULT	LBS/M	TEMPER
FINISH SPEC No.		MATERIAL SPEC No.		
FIRST USED ON		SCALE 3:1		
DATE DRAWN	BY	CHKD	APVD	
10/01/94	ES	ES	GHJ	
		10/05/94	10/05/94	
NAME PHONE JACK INSULATED BUSHING			PART No. SN37A SERIES	REV F

SHEET 1 OF 1

Switchcraft®

Mouser Electronics

Authorized Distributor

Click to View Pricing, Inventory, Delivery & Lifecycle Information:

[Switchcraft:](#)

[SN37A12A](#) [SN37A12B](#) [SN37A14B](#) [SN37A11](#)