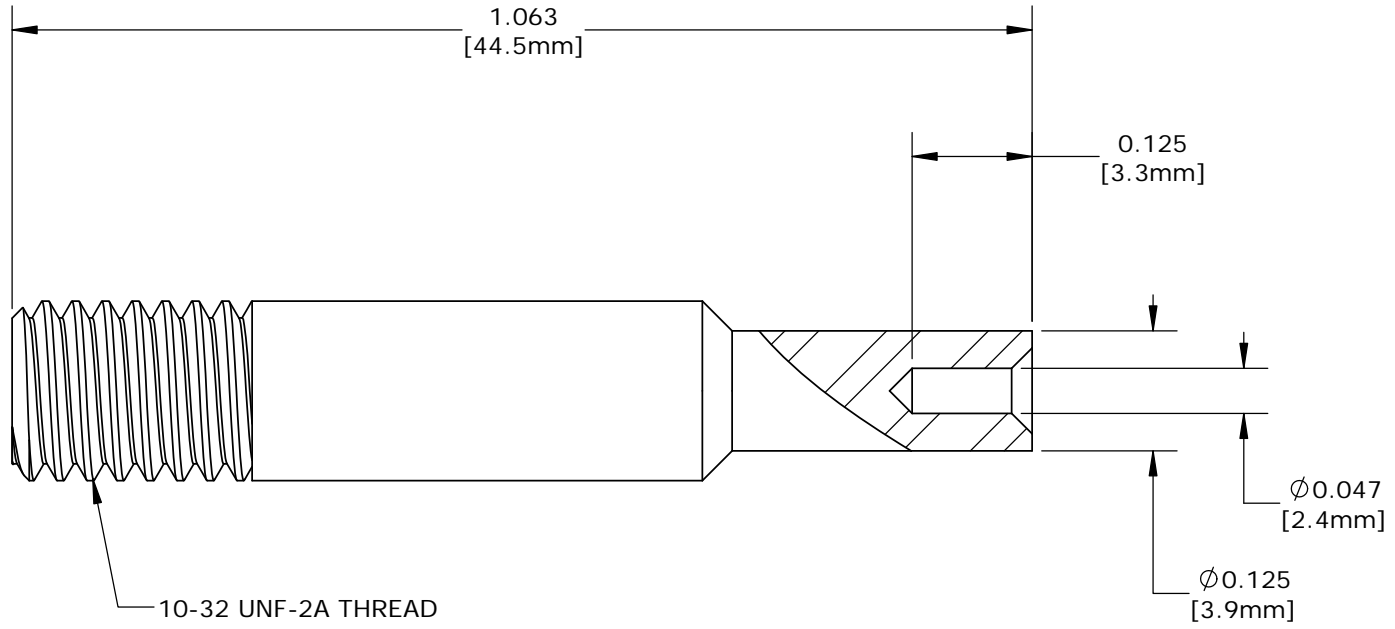


PART NUMBER: 356-201

CUSTOMER PRINT


- NOTES:**
1. MATERIAL: STAINLESS STEEL
 2. ALL DIMENSION FOR REFERENCE ONLY



PROPRIETARY

THIS DOCUMENT CONTAINS CONFIDENTIAL INFORMATION PROPRIETARY TO CONXALL CORPORATION. ANY REPRODUCTION, DISCLOSURE, OR USE OF THIS DOCUMENT /INFORMATION IS EXPRESSLY PROHIBITED UNLESS AUTHORIZED IN WRITING BY CONXALL CORPORATION.

DIMENSIONS IN BRACKETS [] ARE METRIC

H	SS	07-16-19	UPDATED MATERIAL FOR NOTE 1 PER ECR 9429	
G	AN	06-29-17	CREATED SHEET PER DOR 17-7819JS	
REV.	INIT.	DATE	DESCRIPTION	
<small>ALL INFORMATION ILLUSTRATED IS THE PROPERTY OF "CONXALL CORPORATION." UNAUTHORIZED DUPLICATION OR DISTRIBUTION OF THIS DOCUMENT IS PROHIBITED.</small>			<small>ORIG. DRAWN BY:</small> GA	<small>DATE:</small> 10-04-94
<small>ALL UNITS ARE IN FEET, INCHES, FRACTION OF INCHES AND DECIMALS.</small>			<small>CHECKED BY:</small> 	 601 E. WILDWOOD VILLA PARK, IL 60181
			<small>APPROVED BY:</small> 	
<small>SCALE</small> NTS		<small>SIZE</small> A	<small>SHEET</small> 1 OF 1	
<small>FILE:</small> 356-201		<small>DIRECTORY:</small> SLW	<small>CUSTOMER:</small> STANDARD PRODUCT	<small>PART NUMBER:</small> 356-201
				<small>REV</small> H

Mouser Electronics

Authorized Distributor

Click to View Pricing, Inventory, Delivery & Lifecycle Information:

[Switchcraft:](#)

[356-201](#)