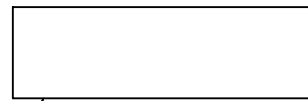


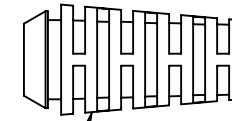
280 PLUG FINGER



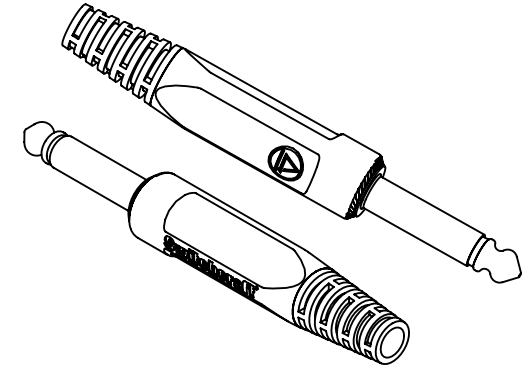
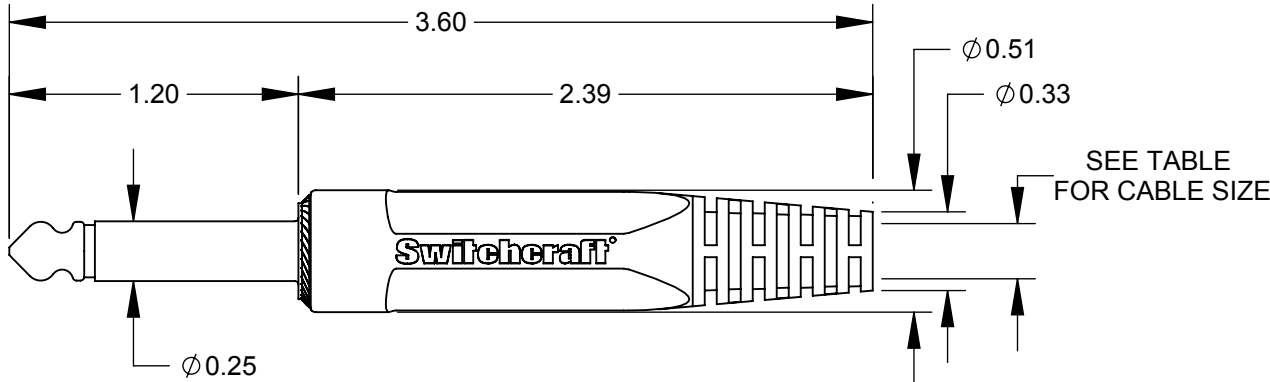
MYLAR INSULATOR



SLEEK HANDLE



RUBBER FLEX RELIEF
(SEE TABLE)



NOTES:

1. PLUG FINGER SAME AS 280
2. PLUG FINGER, HANDLE, AND STRAIN RELIEF SHIPPED UNASSEMBLED.
3. ASSEMBLE STRAIN RELIEF TO HANDLE BEFORE INSERTING CABLE.
4. THIS PRODUCT IS RoHS COMPLIANT.

PARTNUMBER	PART REV	RECOMMENDED CABLE RANGE FOR STRAIN RELIEF
280F	0A	Ø 0.220 - Ø 0.190
280FL	0A	Ø 0.250 - Ø 0.220

CUSTOMER DRAWING

					THIS DRAWING DESCRIBES A DESIGN CONSIDERED PROPRIETARY IN NATURE, DEVELOPED AND MANUFACTURED BY SWITCHCRAFT INC. AND IS RELEASED ON A CONFIDENTIAL BASIS FOR IDENTIFICATION PURPOSES ONLY.				
					SIZE *	WIDTH *	MULT *	LBS/M *	TEMPER *
					FINISH *			MATERIAL *	
					SPEC No. *			SPEC No. *	
					FIRST USED ON *		SCALE 5:4		
0A	PRELIMINARY	6/19/17	*	*	DATE DRAWN 6/19/17	BY AB	CHKD AB 6/19/17	APVD *	
REV	ECO NUMBER	DATE	BY	APVD	NAME 280 FLEX, RoHS			SHEET 1 OF 1	
REVISIONS					DO NOT SCALE DRAWING				
					SolidWorks CAD File				



Mouser Electronics

Authorized Distributor

Click to View Pricing, Inventory, Delivery & Lifecycle Information:

[Switchcraft:](#)

[280FL](#) [280F](#) [280FPKG](#)